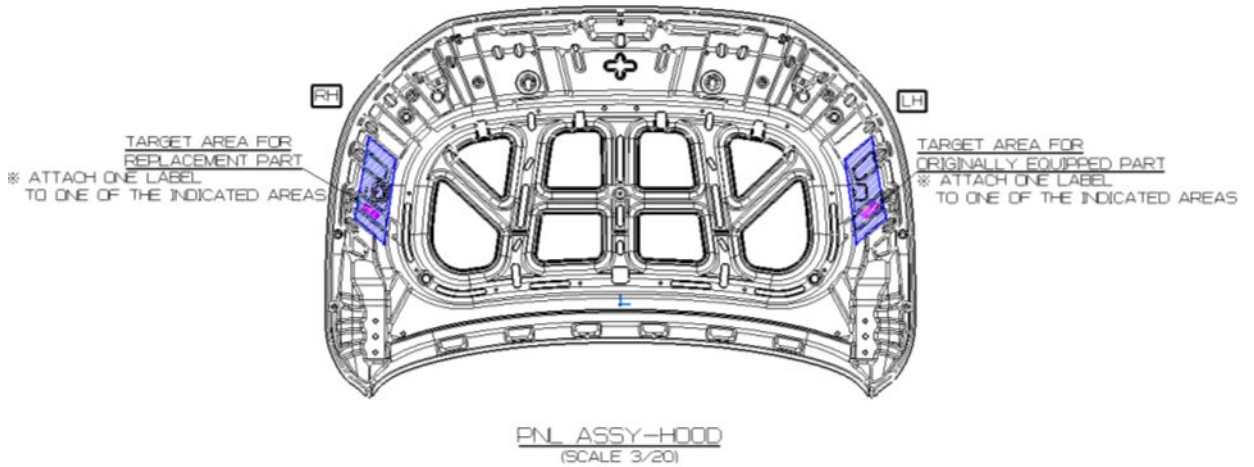


## **VIN marking area for K4 model**

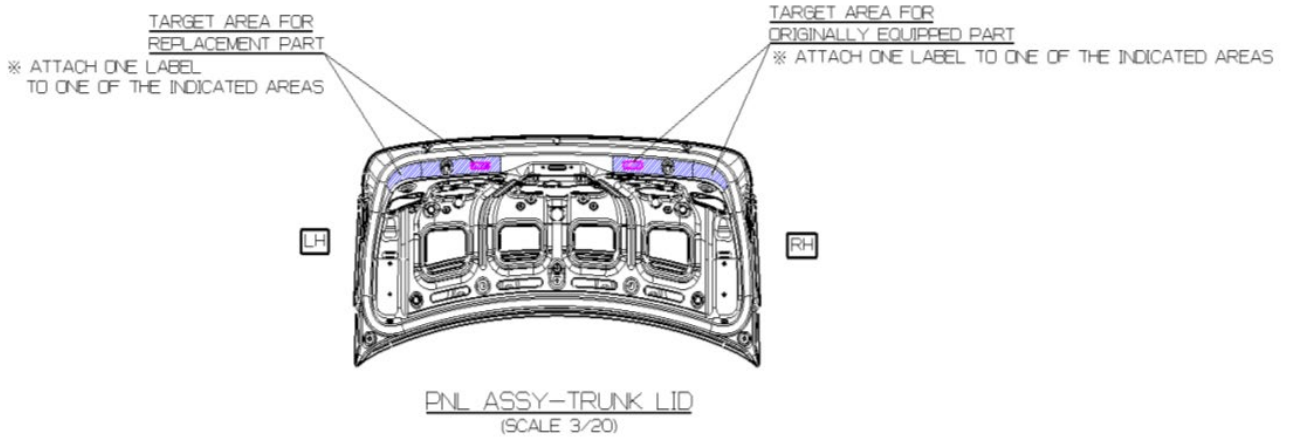
1. Hood
2. Trunk Lid
3. Front Fender (LH/RH)
4. Front Door (LH/RH)
5. Rear Door (LH/RH)
6. Side Outer Panel (LH/RH)
7. Front Bumper
8. Rear Bumper
9. Engine
10. Transmission



# Hood



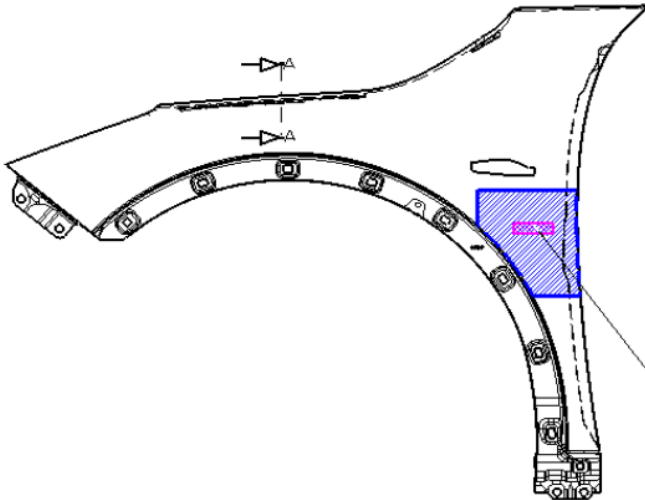
# Trunk Lid



# Front Fender (LH/RH)



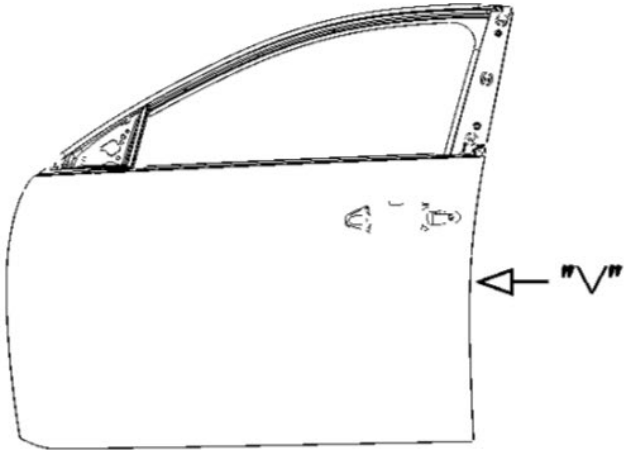
TARGET AREA FOR  
ORIGINALLY EQUIPPED PART



TARGET AREA FOR  
REPLACEMENT PART

PNL-FENDER, LH/RH

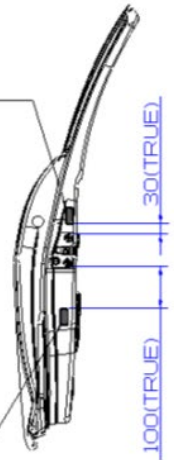
# Front Door (LH/RH)



PNL ASSY-FR DR. LH/RH

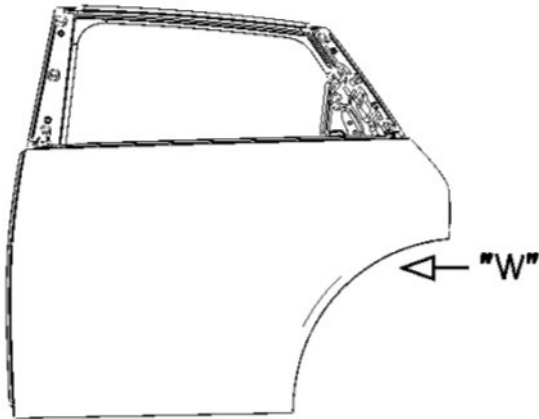
TARGET AREA FOR  
ORIGINALLY EQUIPPED PART

TARGET AREA FOR  
REPLACEMENT PART

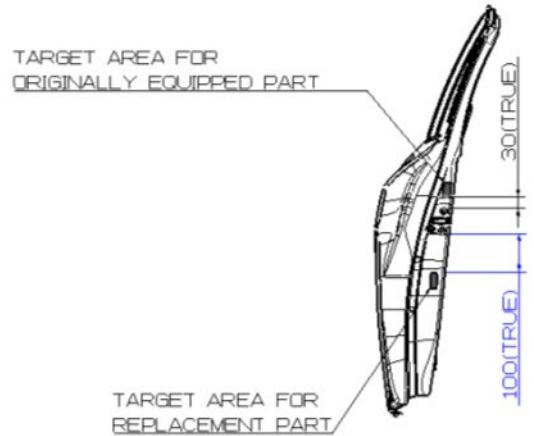


DETAIL "V"  
(REAR VIEW)

# Rear Door (LH/RH)

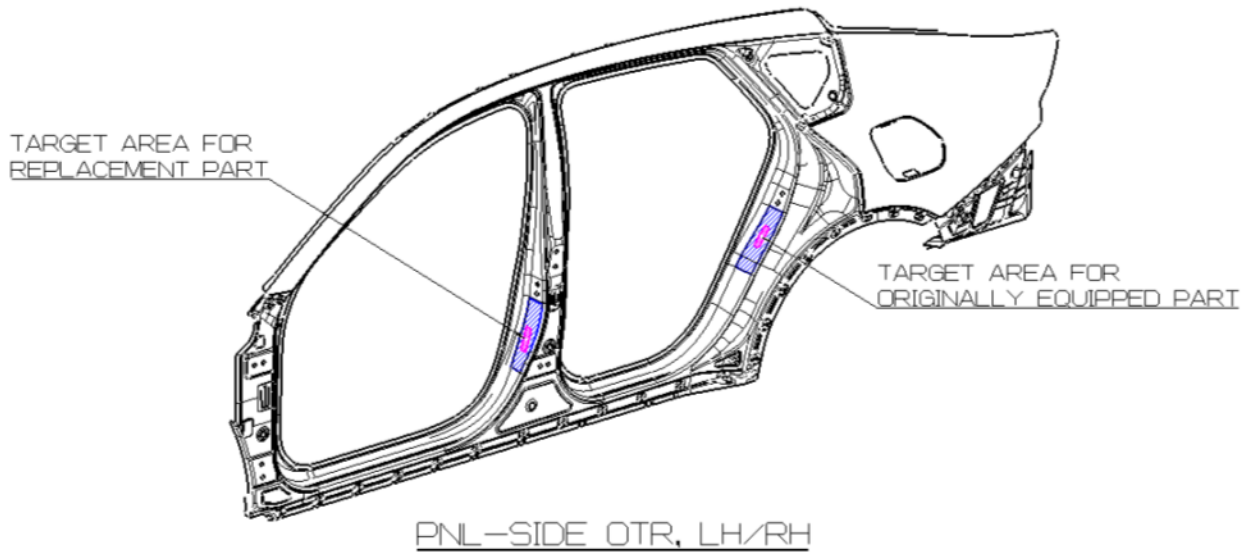


PNL ASSY-RR DR, LH/RH

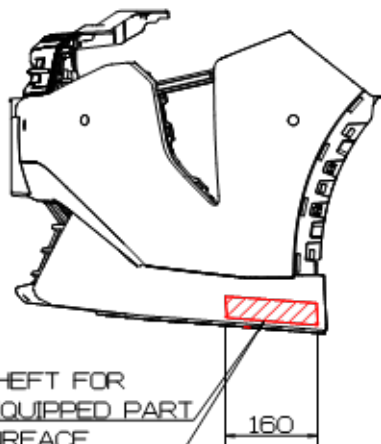
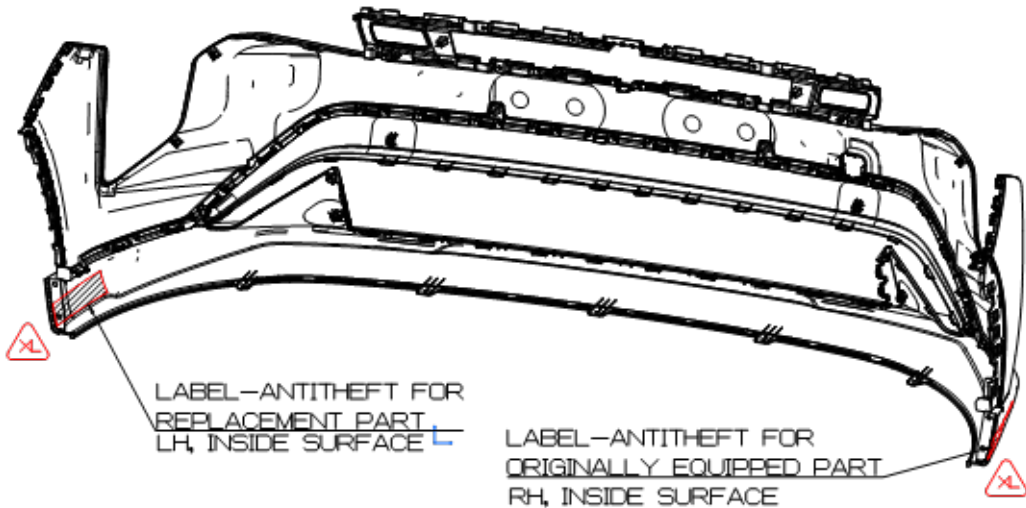


DETAIL "W"  
(REAR VIEW)

# Side Outer Panel (LH/RH)



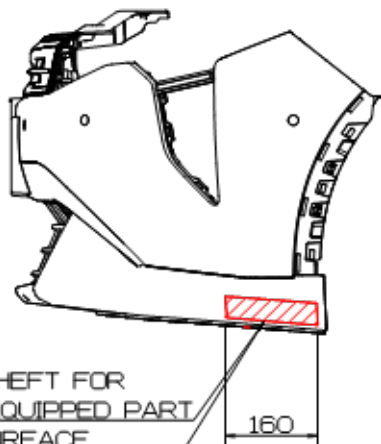
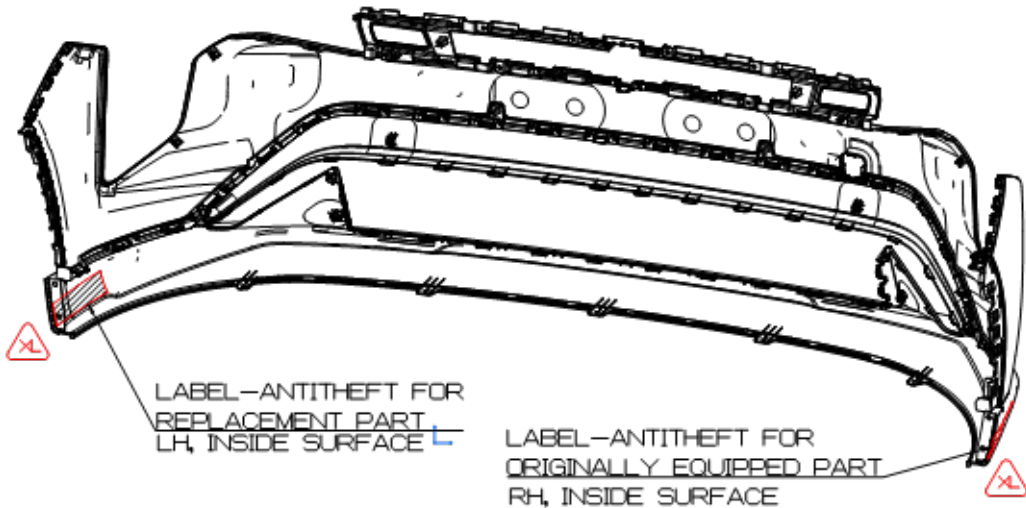
# Front Bumper (STD)



<LABEL LOCATION> STD



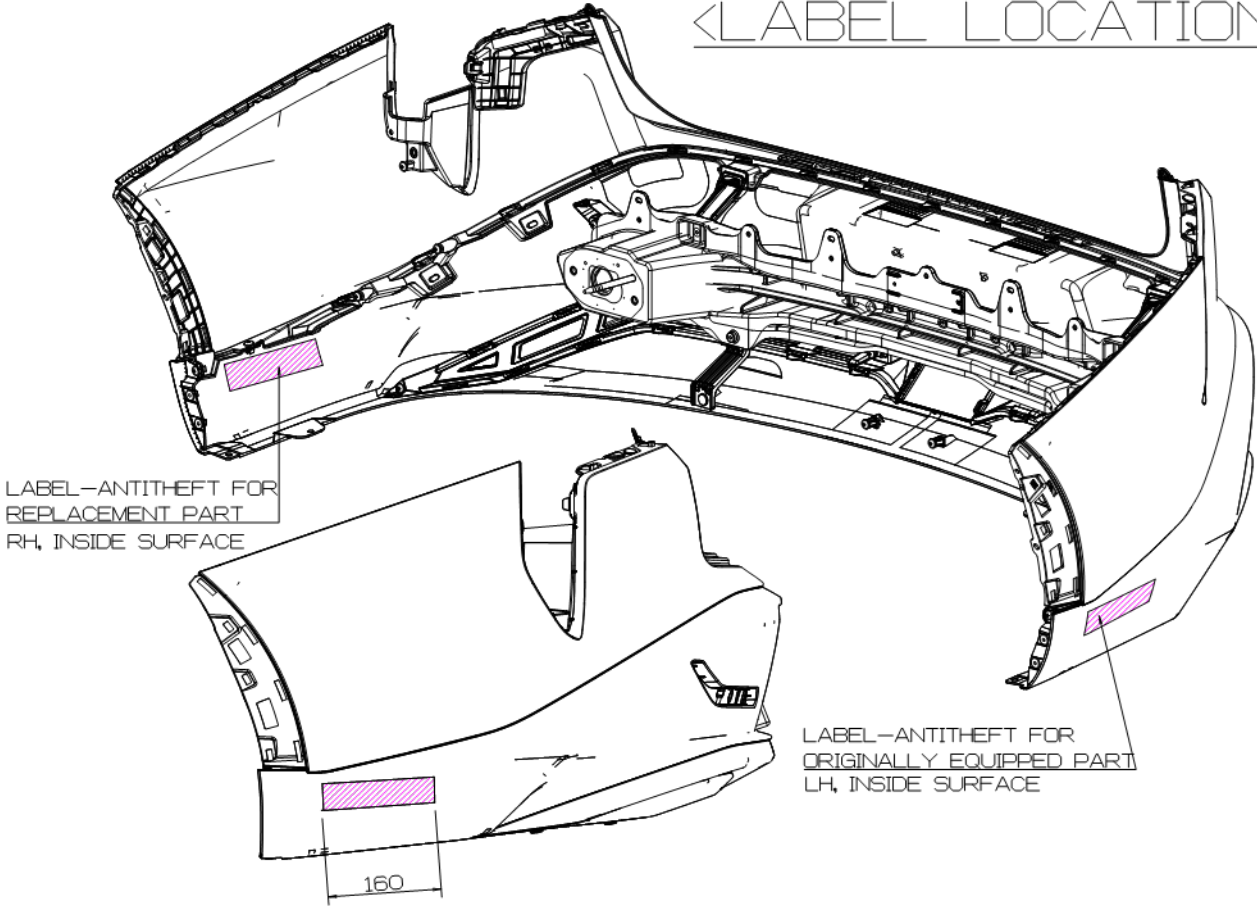
# Front Bumper (GT-Line)



<LABEL LOCATION> STD

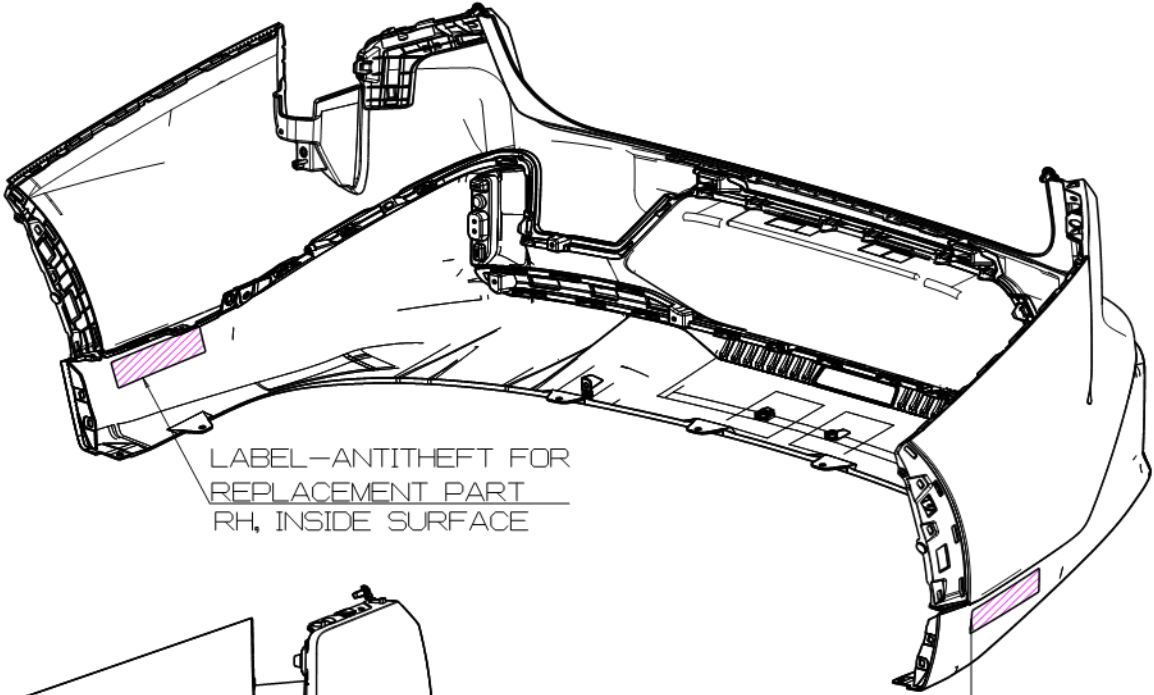
# Rear Bumper (STD)

<LABEL LOCATION>

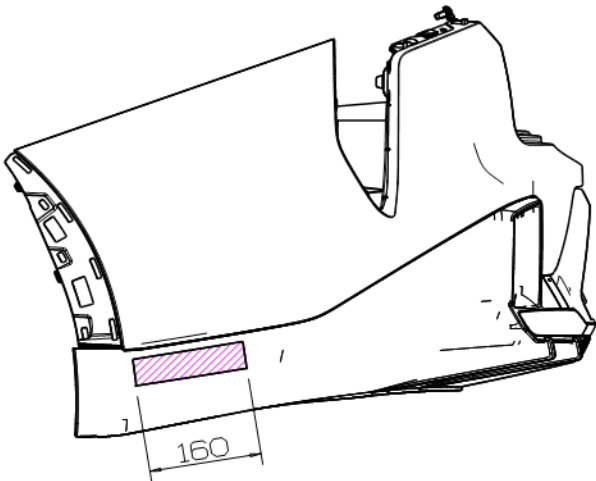


# Rear Bumper (GT-Line)

## <LABEL LOCATION>

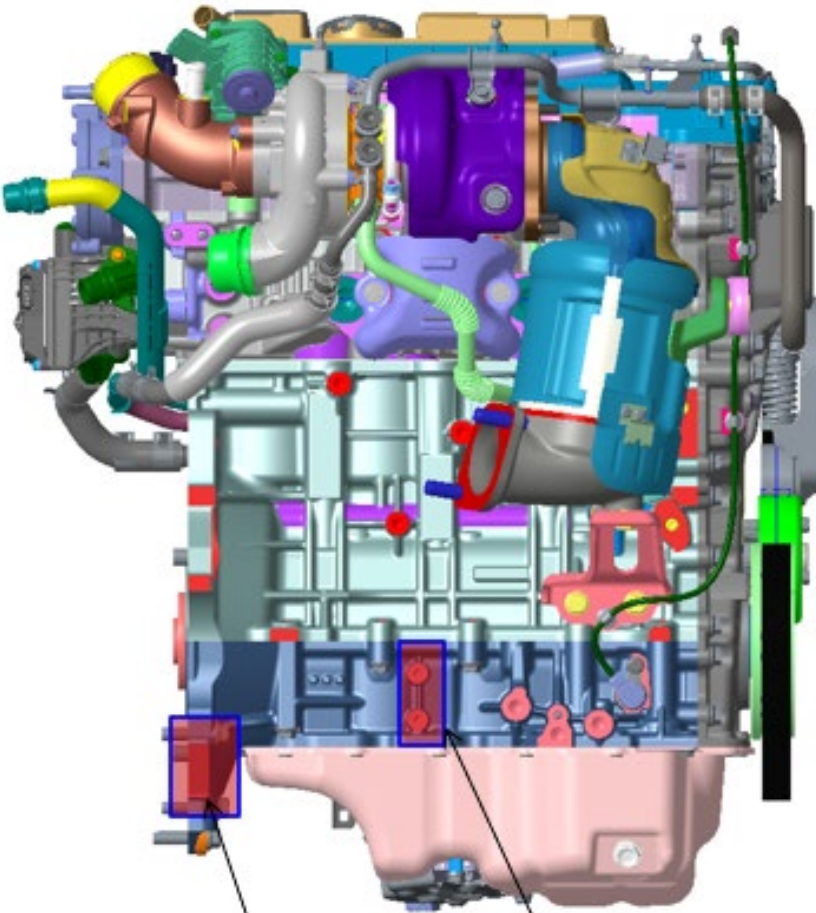


LABEL-ANTITHEFT FOR  
REPLACEMENT PART  
RH, INSIDE SURFACE



LABEL-ANTITHEFT FOR  
ORIGINALLY EQUIPPED PART  
LH, INSIDE SURFACE

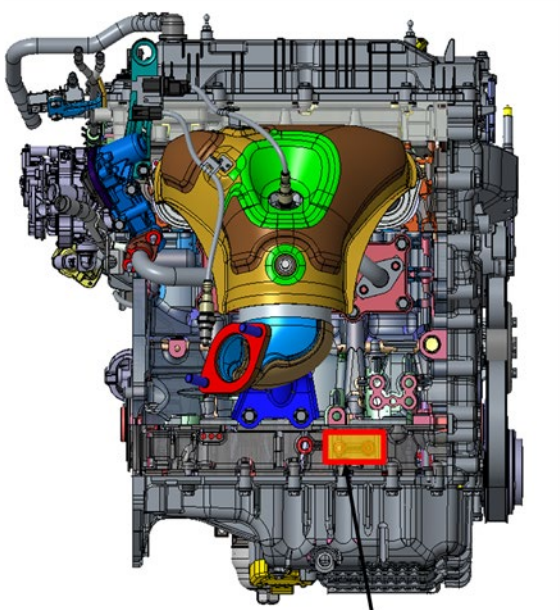
# Engine (1.6 T-GDI)



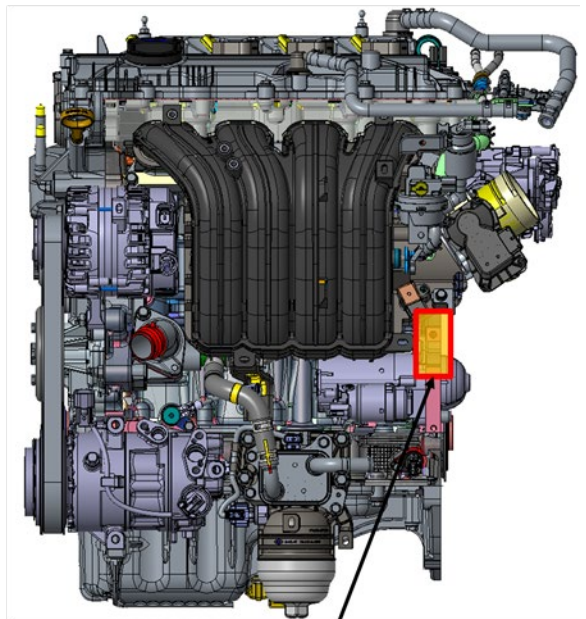
**Target Area for  
Replacement Part**

**Target Area (V.I.N.)  
for Original Equipment  
Part**

# Engine (2.0 MPI)



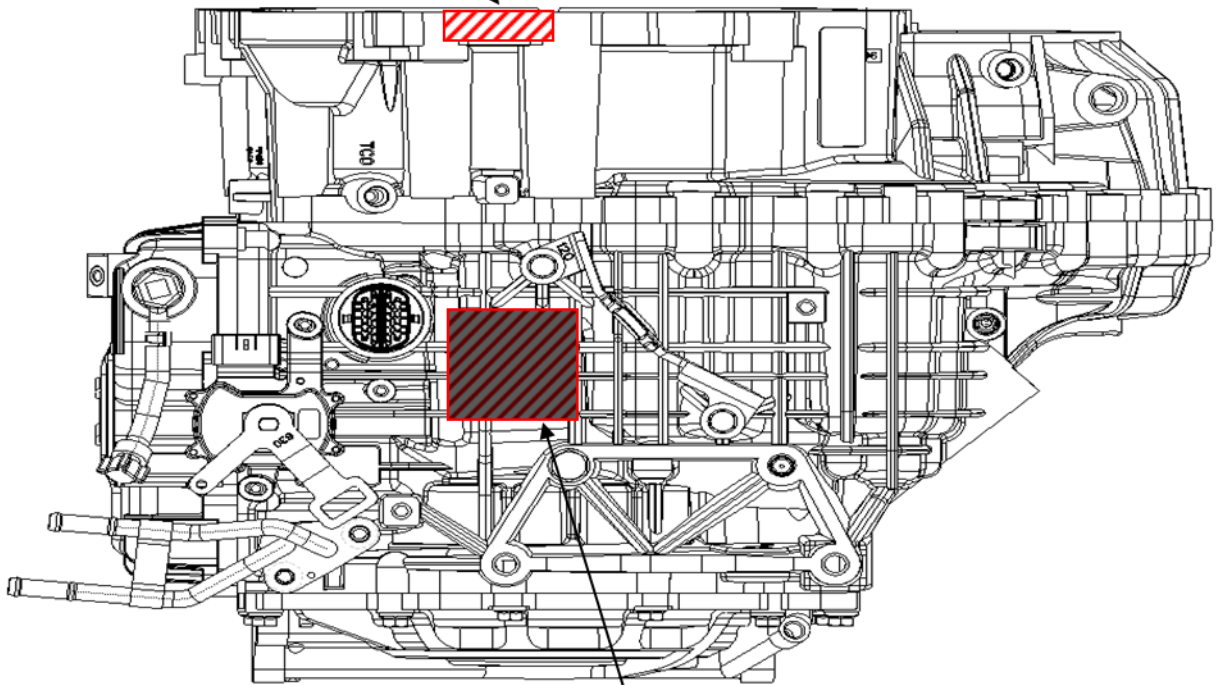
TARGET AREA FOR  
ORIGINALLY EQUIPPED PART



TARGET AREA FOR  
REPLACEMENT PART

# Transmission (8AT)

TARGET AREA FOR  
REPLACEMENT PART



TARGET AREA FOR  
ORIGINALLY EQUIPPED PART

# Transmission

(CVT for 2.0 MPI)

