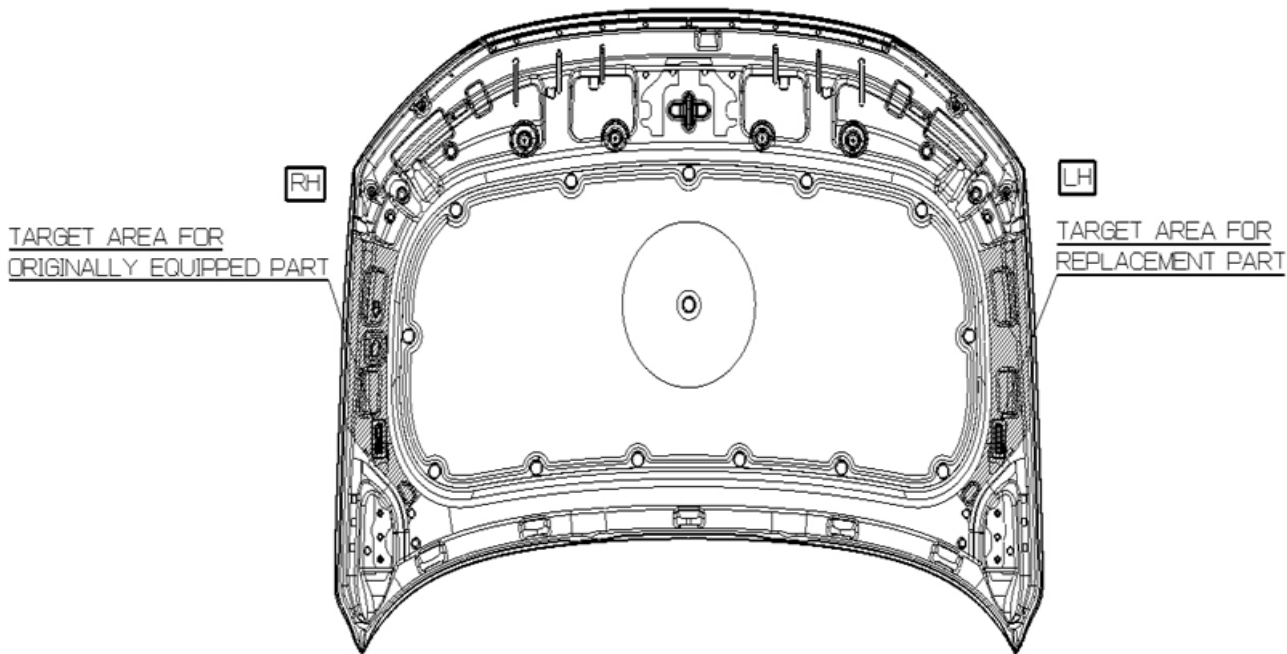


VIN marking area for Tucson Hybrid model

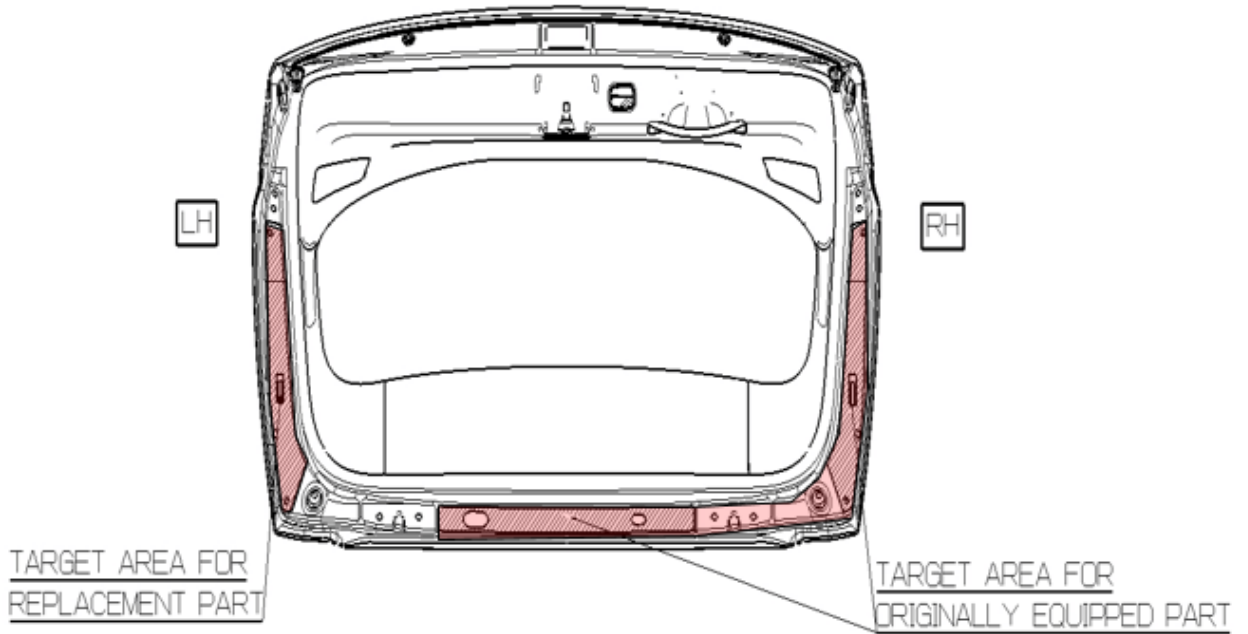
1. Hood
2. Tail gate
3. Front Fender (LH/RH)
4. Front Door (LH/RH)
5. Rear Door (LH/RH)
6. Side Outer Panel (LH/RH)
7. Front Bumper
8. Rear Bumper
9. Engine
10. Transmission (AT)



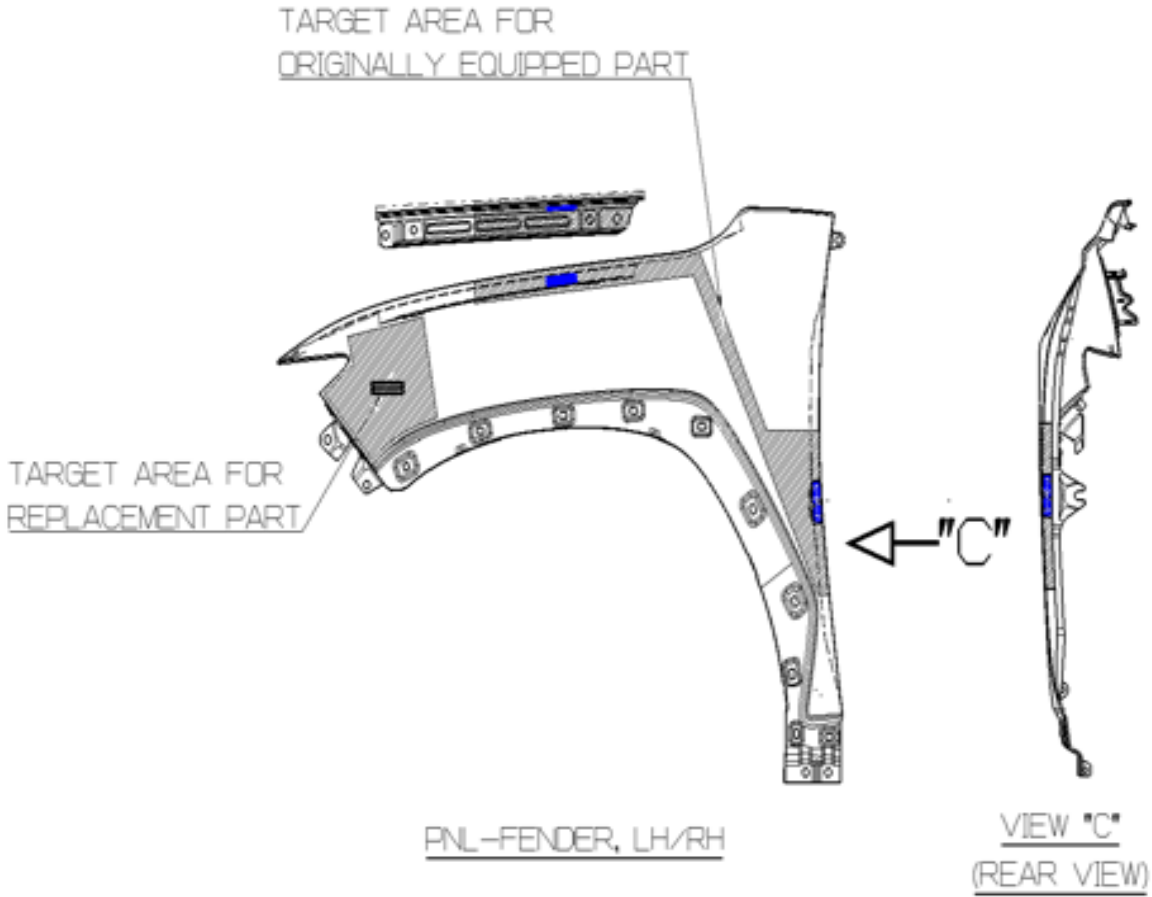
Hood



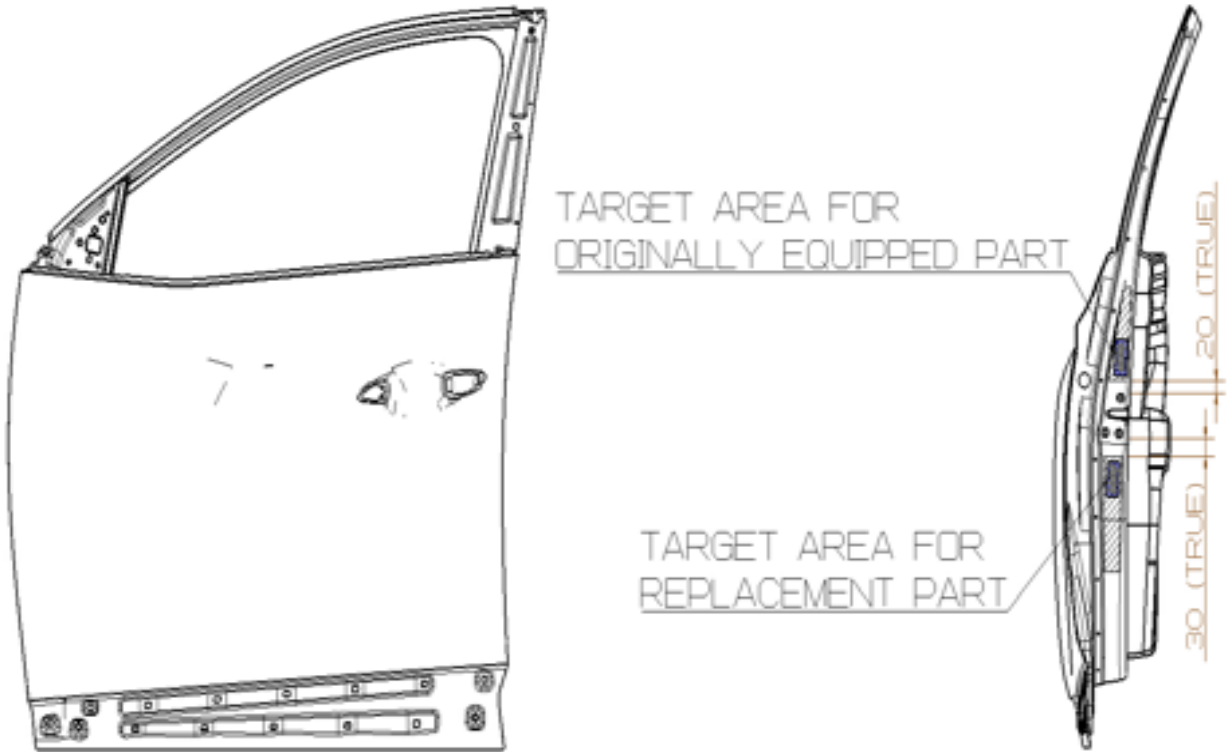
Tail Gate



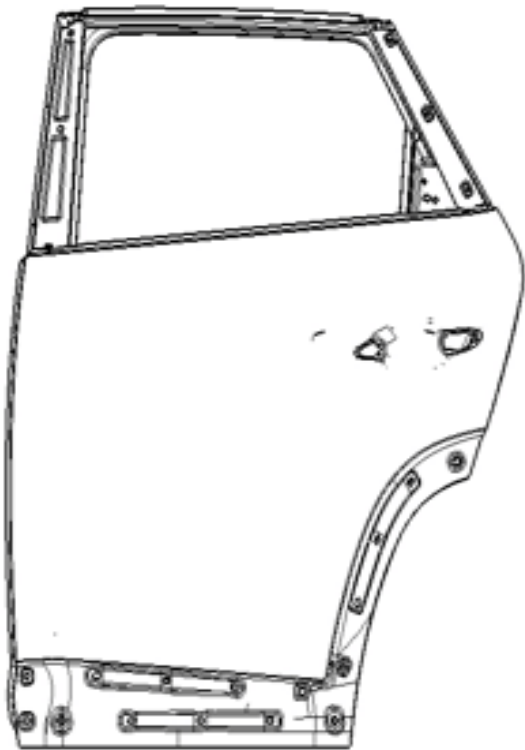
Front Fender (LH/RH)



Front Door (LH/RH)

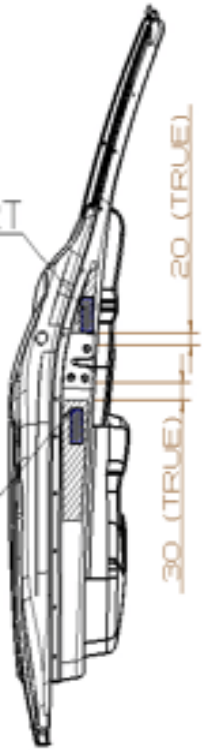


Rear Door (LH/RH)

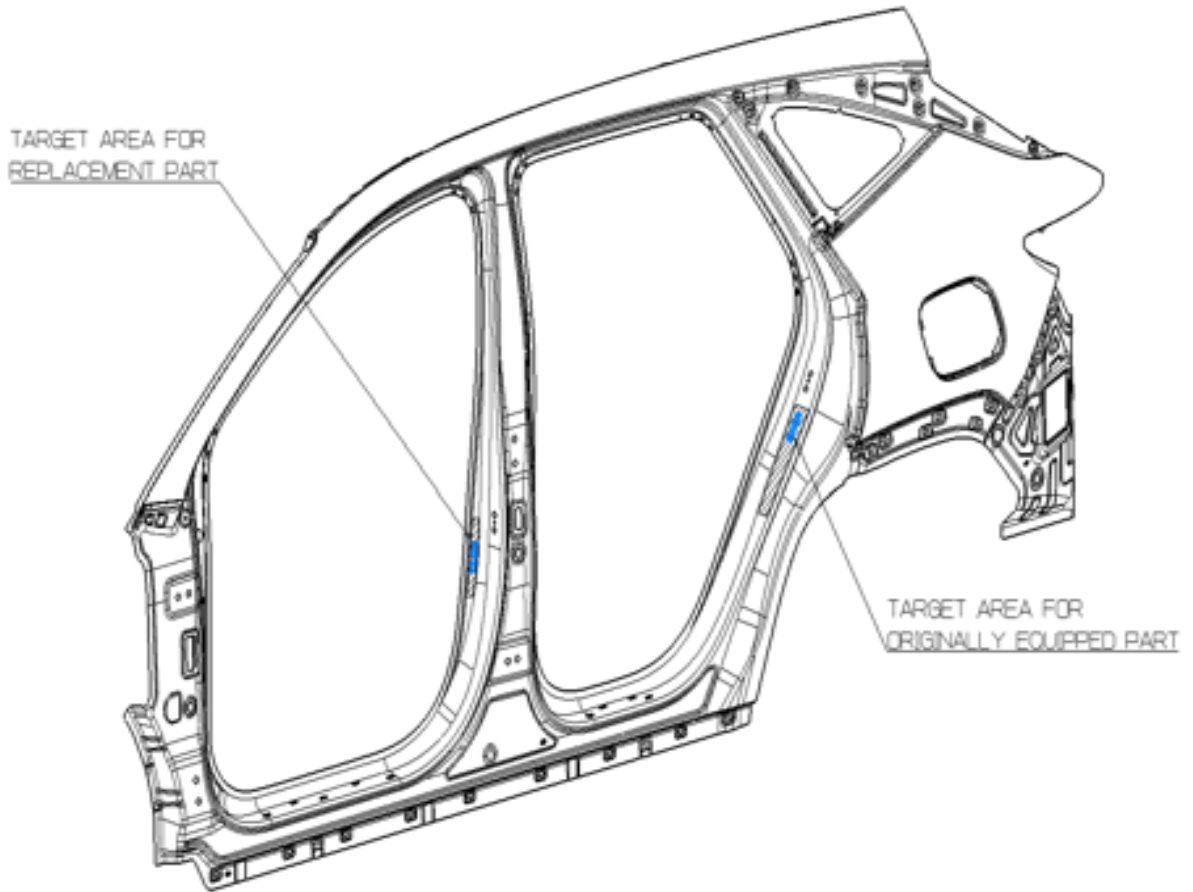


TARGET AREA FOR
ORIGINALLY EQUIPPED PART

TARGET AREA FOR
REPLACEMENT PART



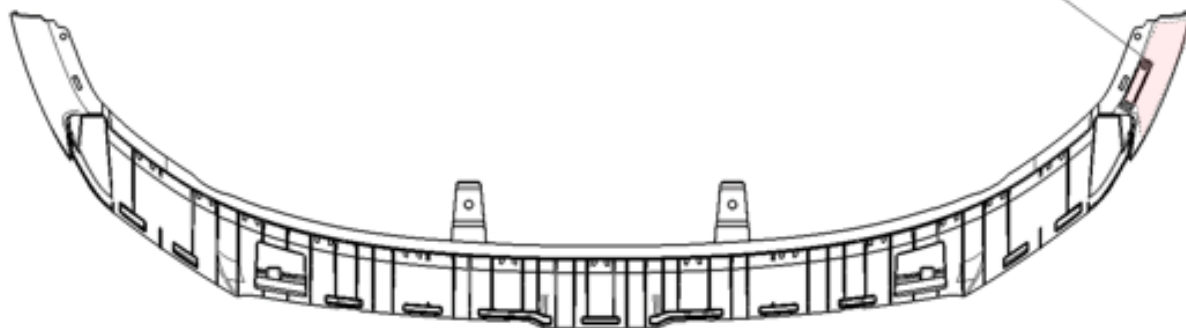
Side Outer Panel (LH/RH)



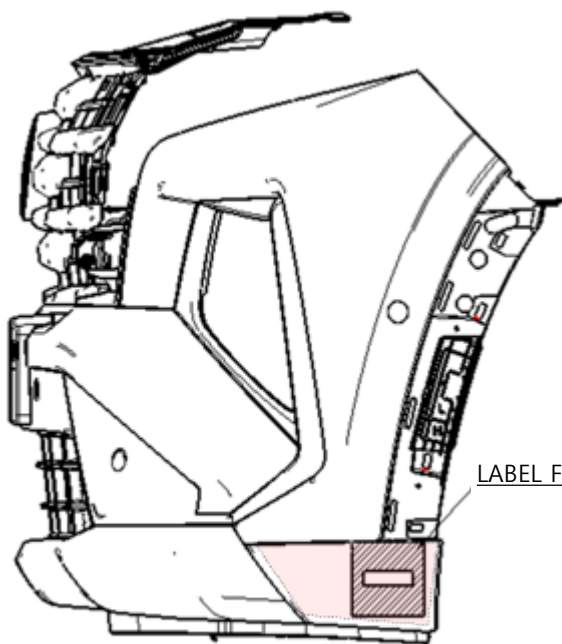
PNL-SIDE OTR, LH/RH

Front Bumper

LABEL FOR ORIGINALLY EQUIPPED PART (RH, OUTSIDE)



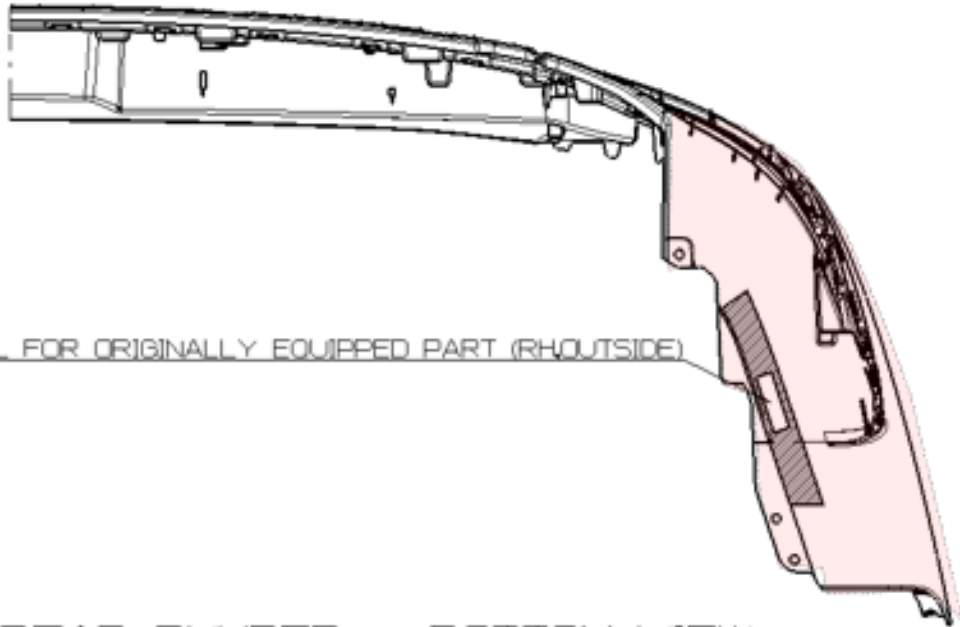
<FRONT BUMPER - BOTTOM VIEW>



LABEL FOR REPLACEMENT PART (LH, INSIDE)

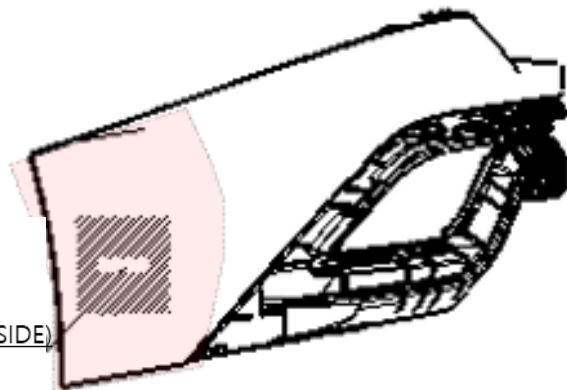
<FRONT BUMPER - SIDE VIEW>

Rear Bumper



LABEL FOR ORIGINALLY EQUIPPED PART (RH, OUTSIDE)

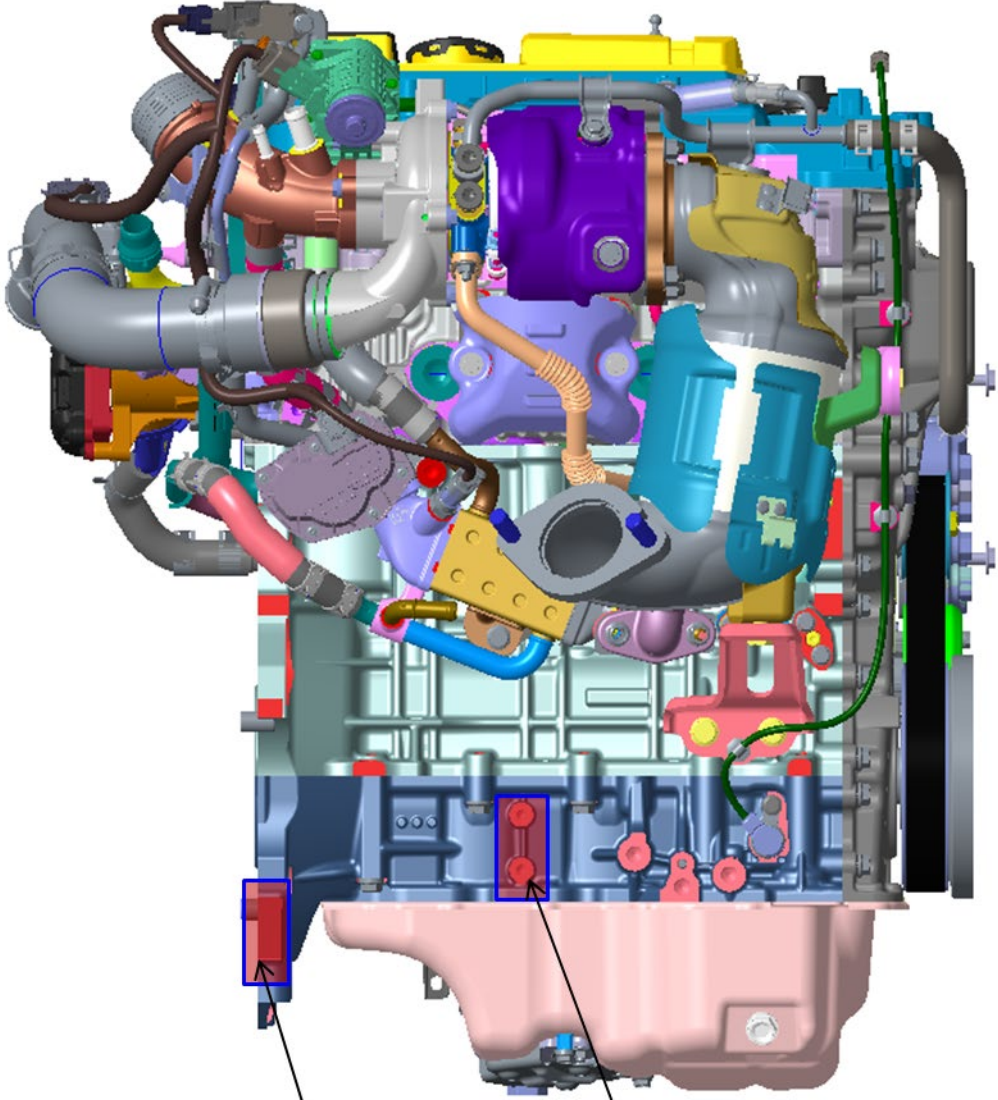
<REAR BUMPER — BOTTOM VIEW>



LABEL FOR REPLACEMENT PART (LH, INSIDE)

<REAR BUMPER — SIDE VIEW>

Engine (1.6 T-GDI HEV)



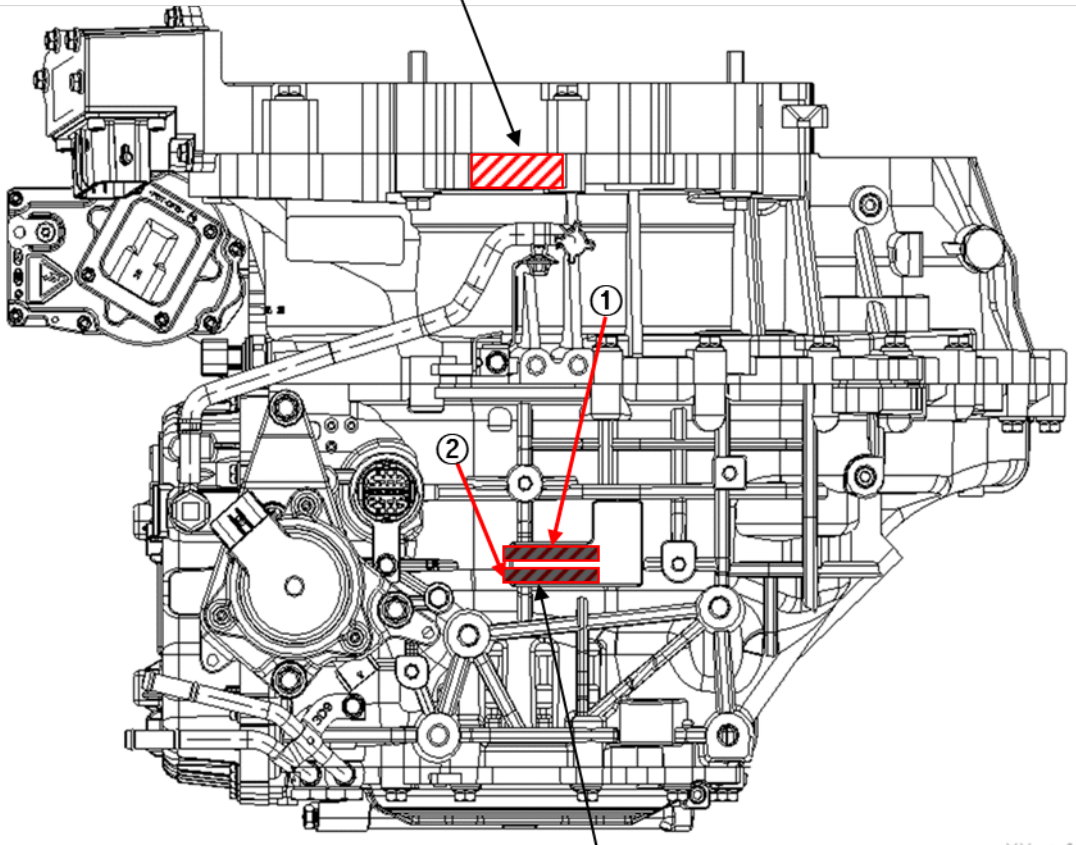
Target Area for Replacement

Target Area (V.I.N.) for Original Equipment Part

Transmission

(HEV Auto for 1.6T HEV 2/4WD)

TARGET AREA FOR
REPLACEMENT PART



TARGET AREA FOR
ORIGINALLY EQUIPPED PART

※ VIN plate for originally equipped part
will be attached to either ① or ②.