

## **VIN marking area for EV9 model**

- 1. Hood**
- 2. Tail Gate**
- 3. Front Fender (LH/RH)**
- 4. Front Door (LH/RH)**
- 5. Rear Door (LH/RH)**
- 6. Side Outer Panel (LH/RH)**
- 7. Front Bumper**
- 8. Rear Bumper**
- 9. Motor (FR/RR)**



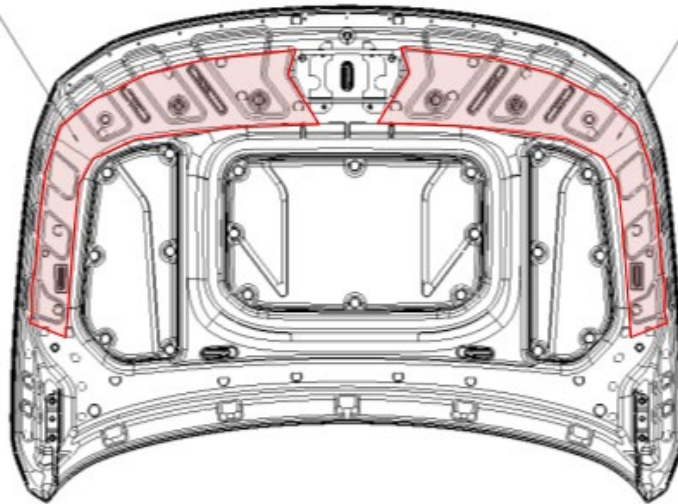
# Hood

TARGET AREA FOR  
REPLACEMENT PART

RH

TARGET AREA FOR  
ORIGINALLY EQUIPPED PART

LH



VIEW Z

PNL ASSY-HOOD

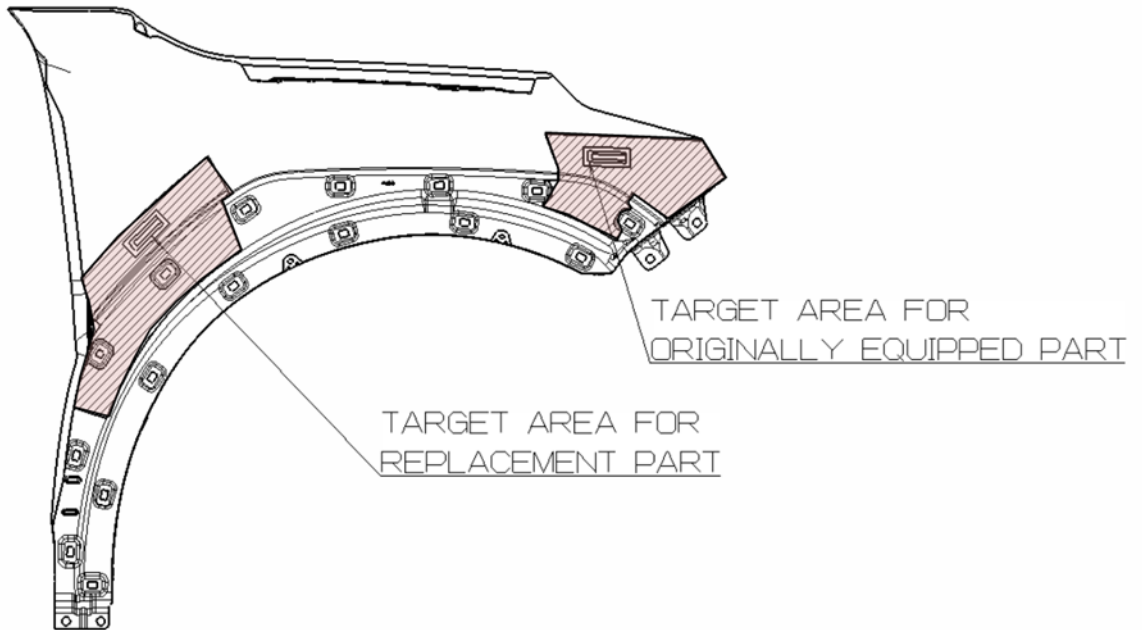
# Tail Gate

TARGET AREA FOR  
REPLACEMENT PART  
CHINA IS NOT APPLIED

TARGET AREA FOR  
ORIGINALLY EQUIPPED PART

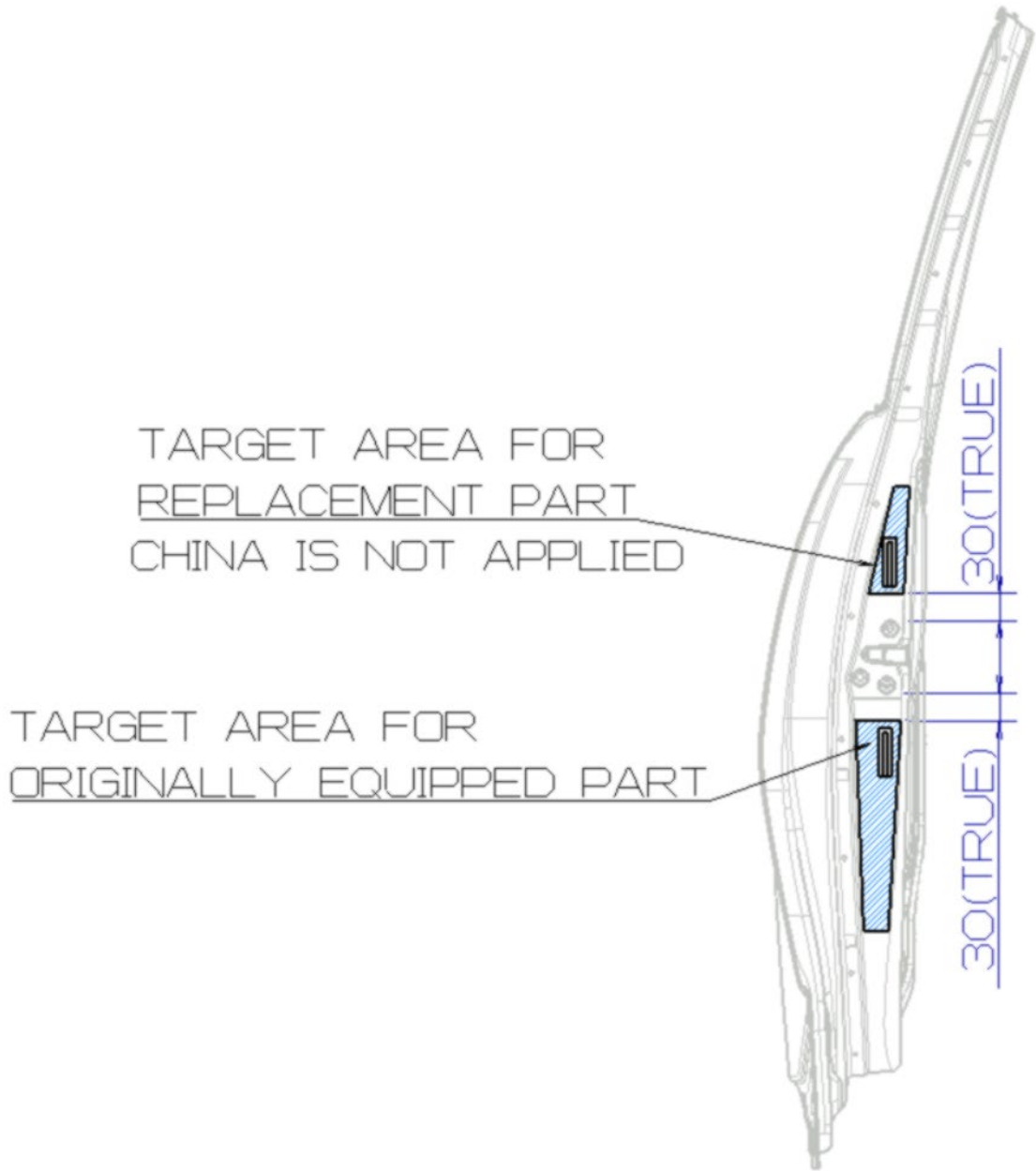


# Front Fender (LH/RH)

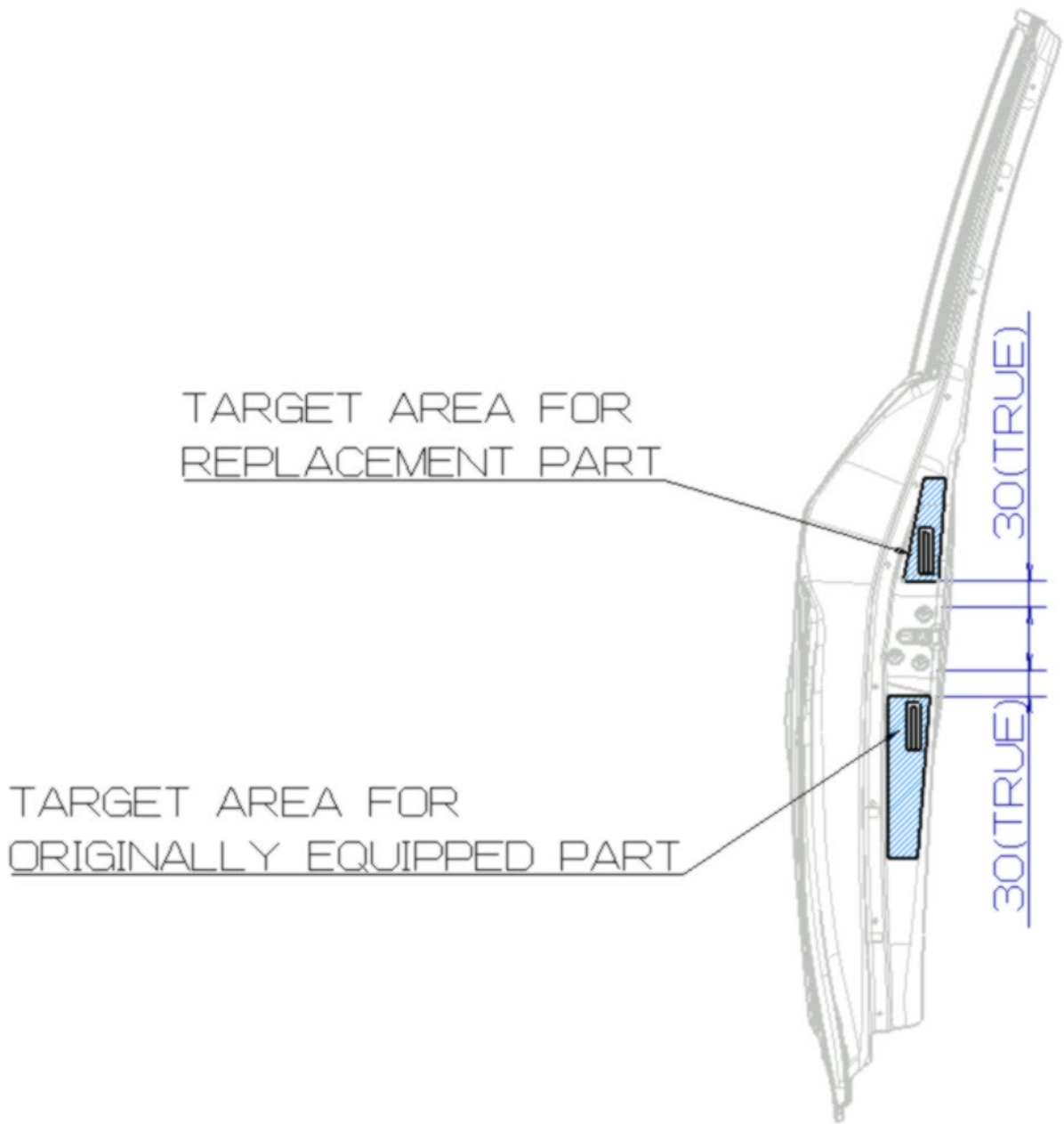


PNL-FENDER, LH/RH

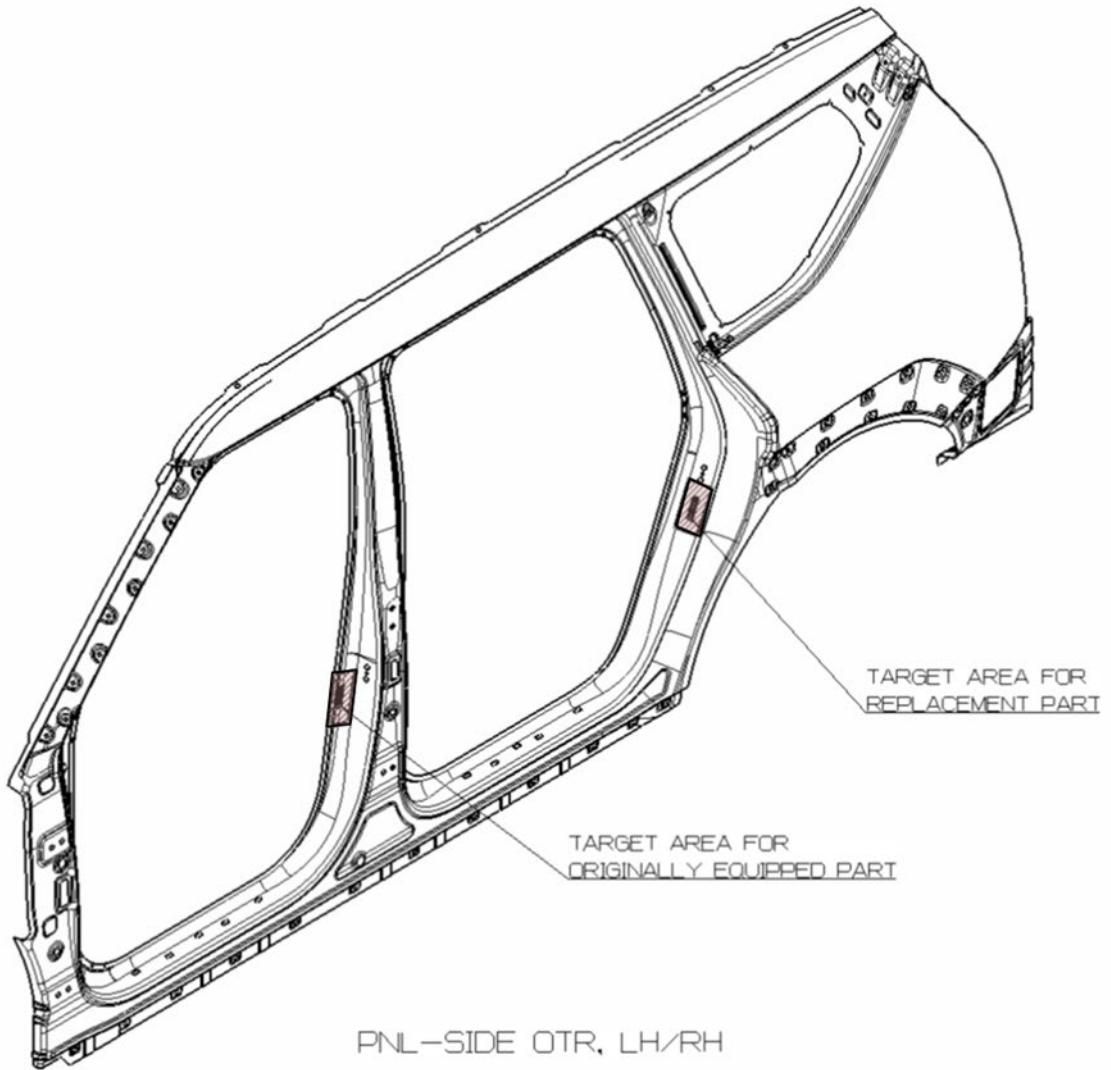
# Front Door (LH/RH)



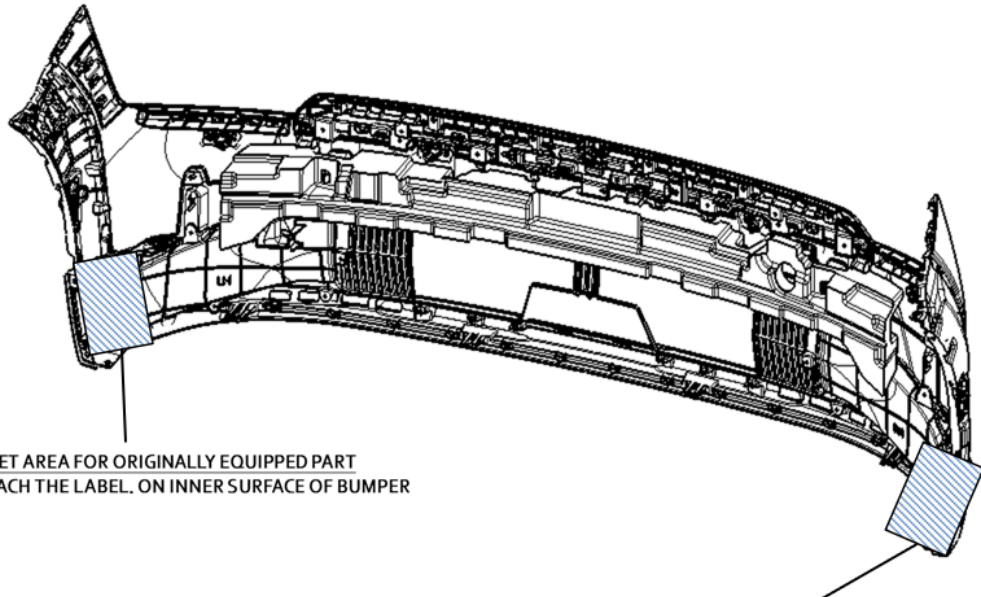
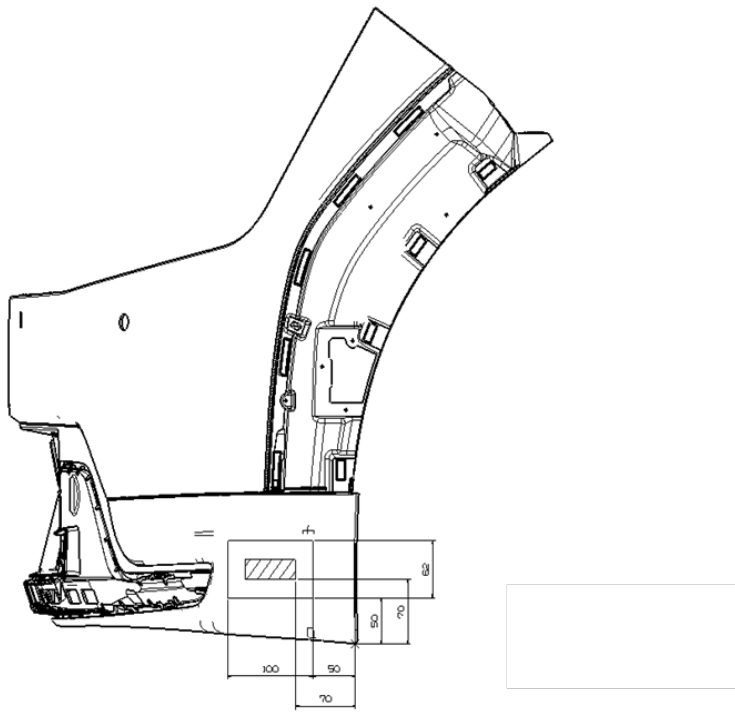
# Rear Door (LH/RH)



# Side Outer Panel (LH/RH)



# Front Bumper (STD)



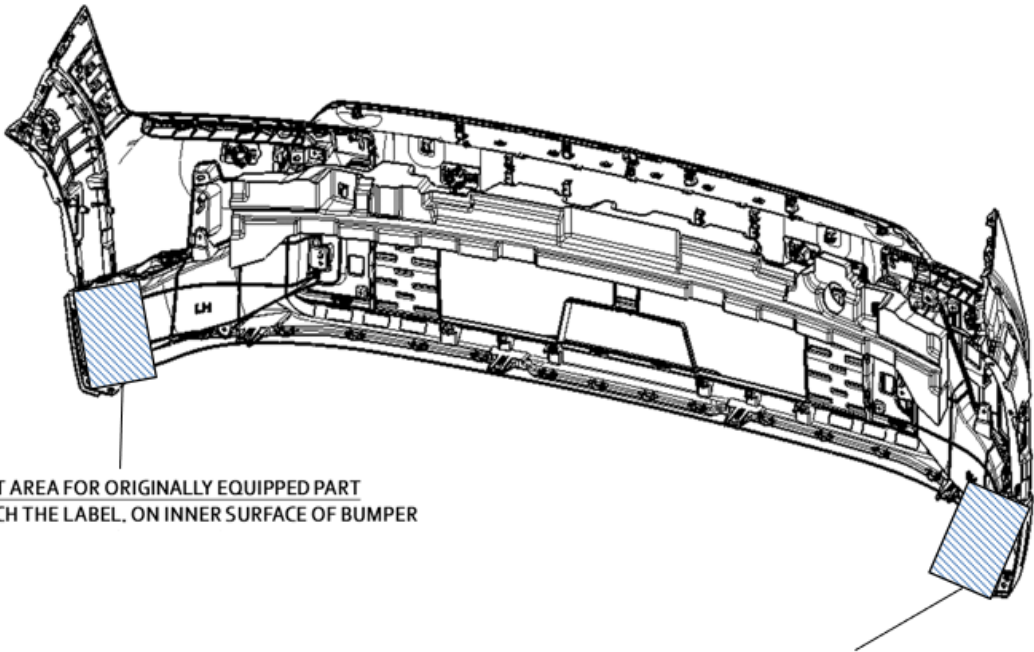
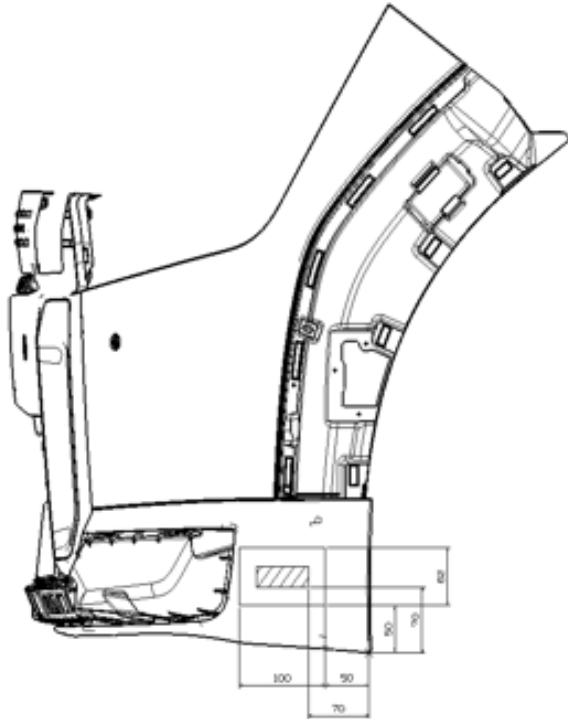
TARGET AREA FOR ORIGINALLY EQUIPPED PART  
: ATTACH THE LABEL. ON INNER SURFACE OF BUMPER

TARGET AREA FOR REPLACEMENT PART  
: ATTACH THE LABEL. ON INNER SURFACE OF BUMPER

## FR BUMPER ASSY (STD)



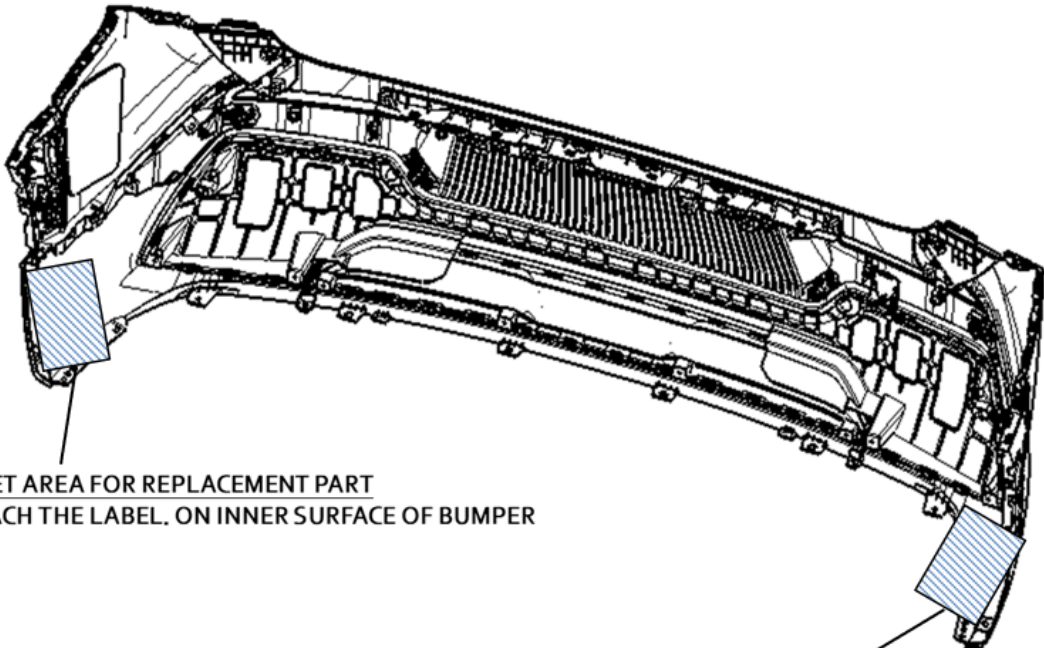
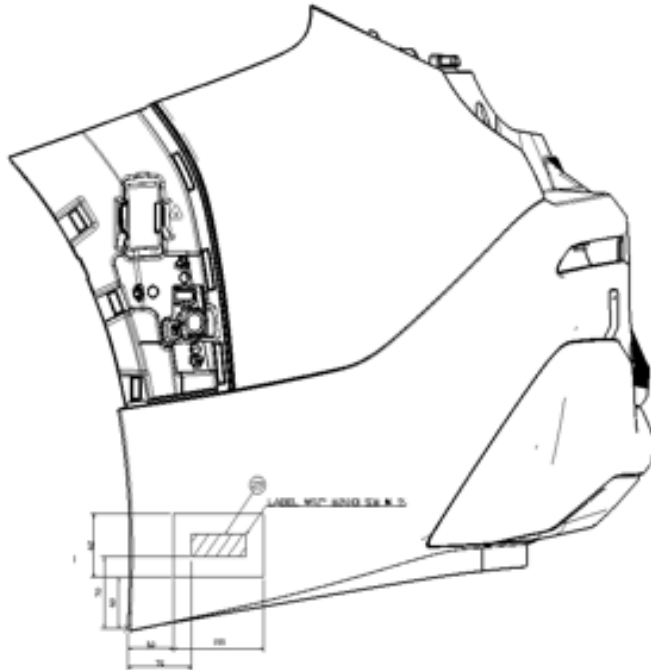
# Front Bumper (GT-Line)



TARGET AREA FOR ORIGINALLY EQUIPPED PART  
: ATTACH THE LABEL, ON INNER SURFACE OF BUMPER

TARGET AREA FOR REPLACEMENT PART  
: ATTACH THE LABEL, ON INNER SURFACE OF BUMPER

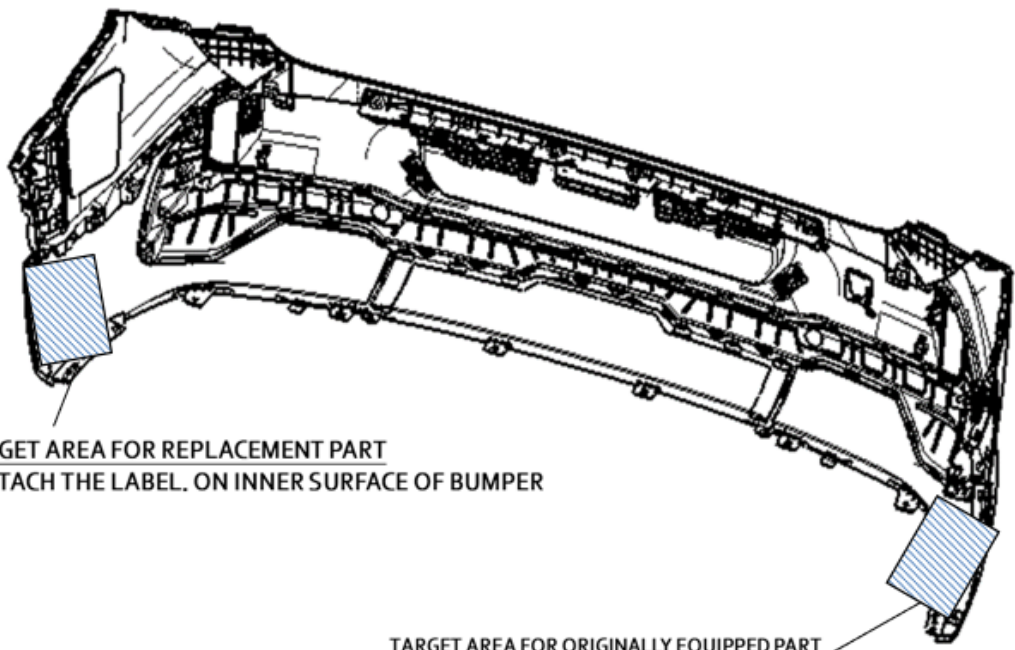
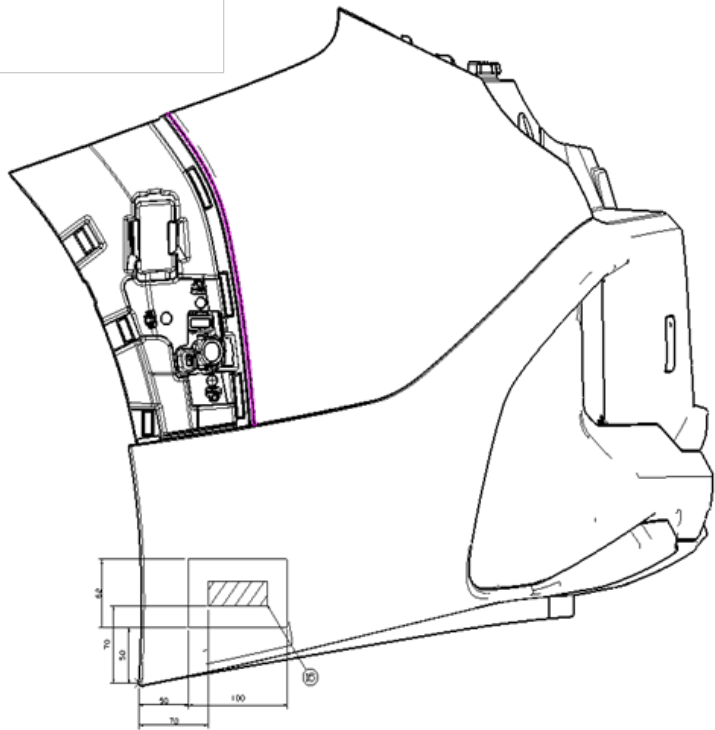
# Rear Bumper (STD)



TARGET AREA FOR REPLACEMENT PART  
: ATTACH THE LABEL. ON INNER SURFACE OF BUMPER

TARGET AREA FOR ORIGINALLY EQUIPPED PART  
: ATTACH THE LABEL. ON INNER SURFACE OF BUMPER

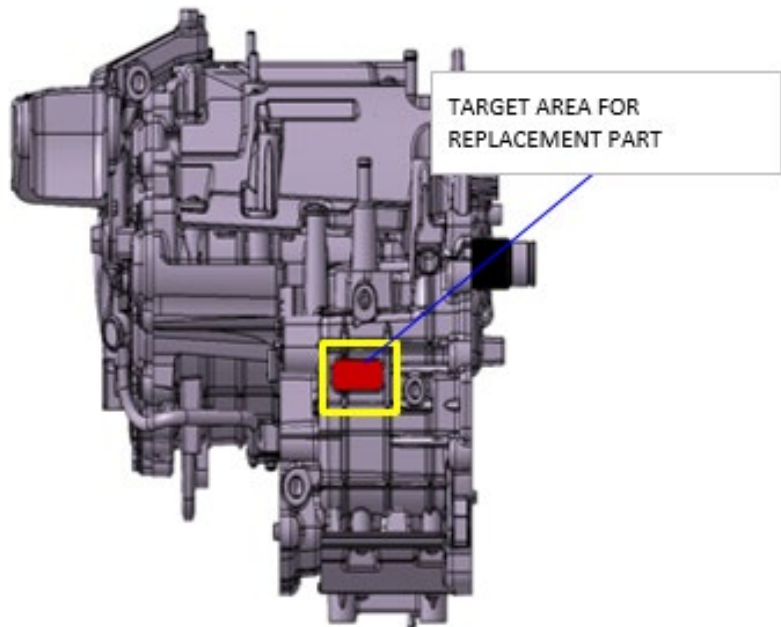
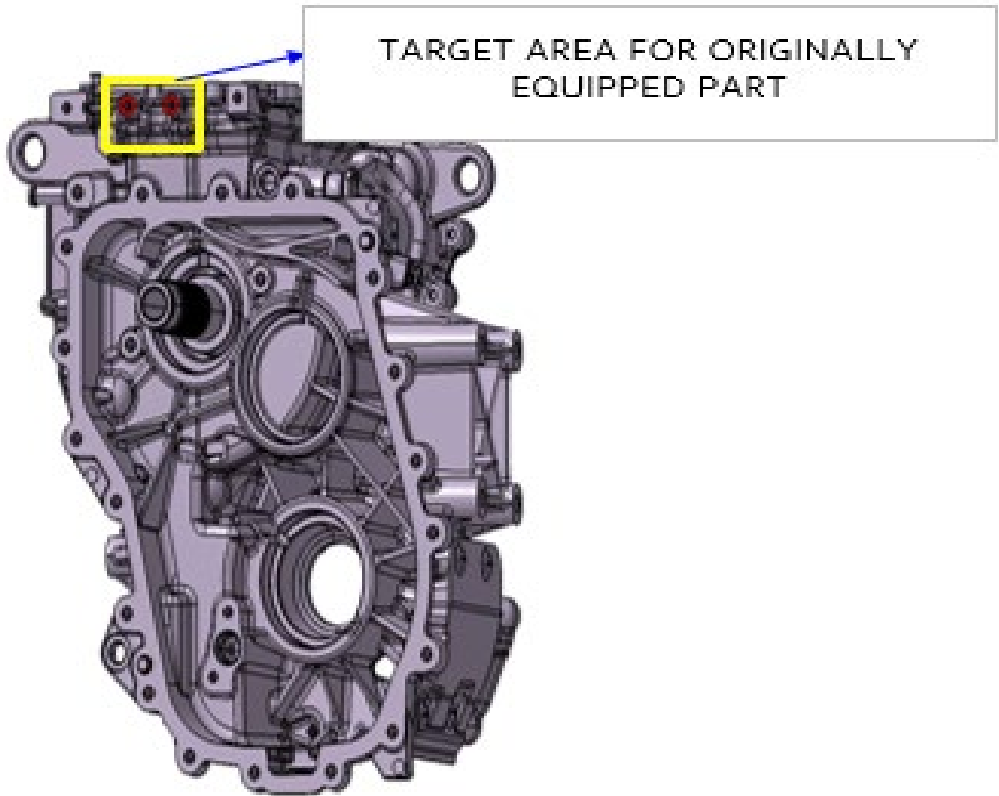
# Rear Bumper (GT-Line)



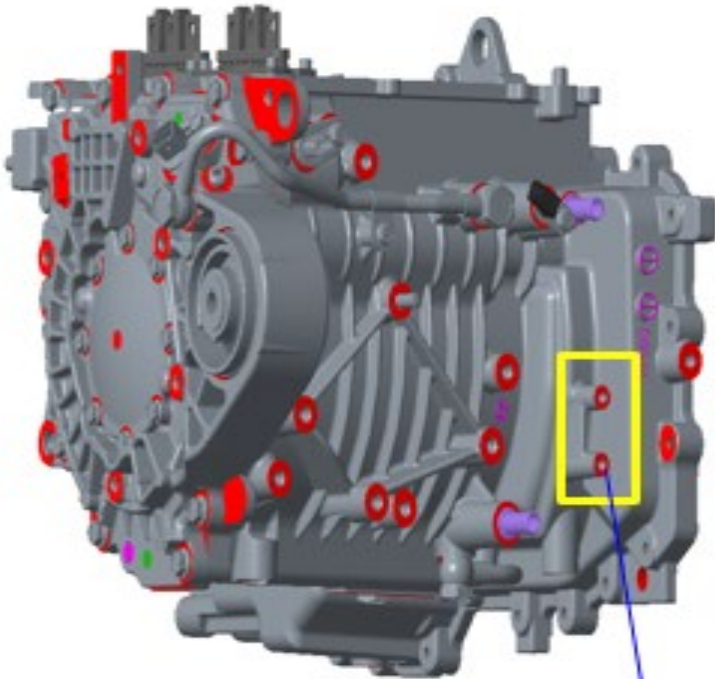
**TARGET AREA FOR REPLACEMENT PART**  
: ATTACH THE LABEL. ON INNER SURFACE OF BUMPER

**TARGET AREA FOR ORIGINALLY EQUIPPED PART**  
: ATTACH THE LABEL. ON INNER SURFACE OF BUMPER

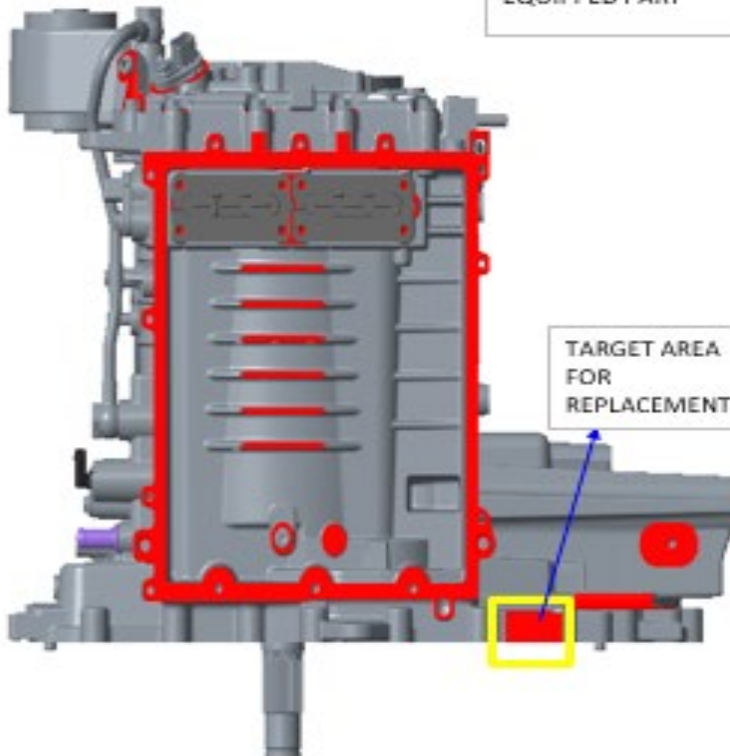
# MV Motor (FR 160 kW)



# MV Motor (RR 160kW)



TARGET AREA FOR  
ORIGINALLY  
EQUIPPED PART



TARGET AREA  
FOR  
REPLACEMENT