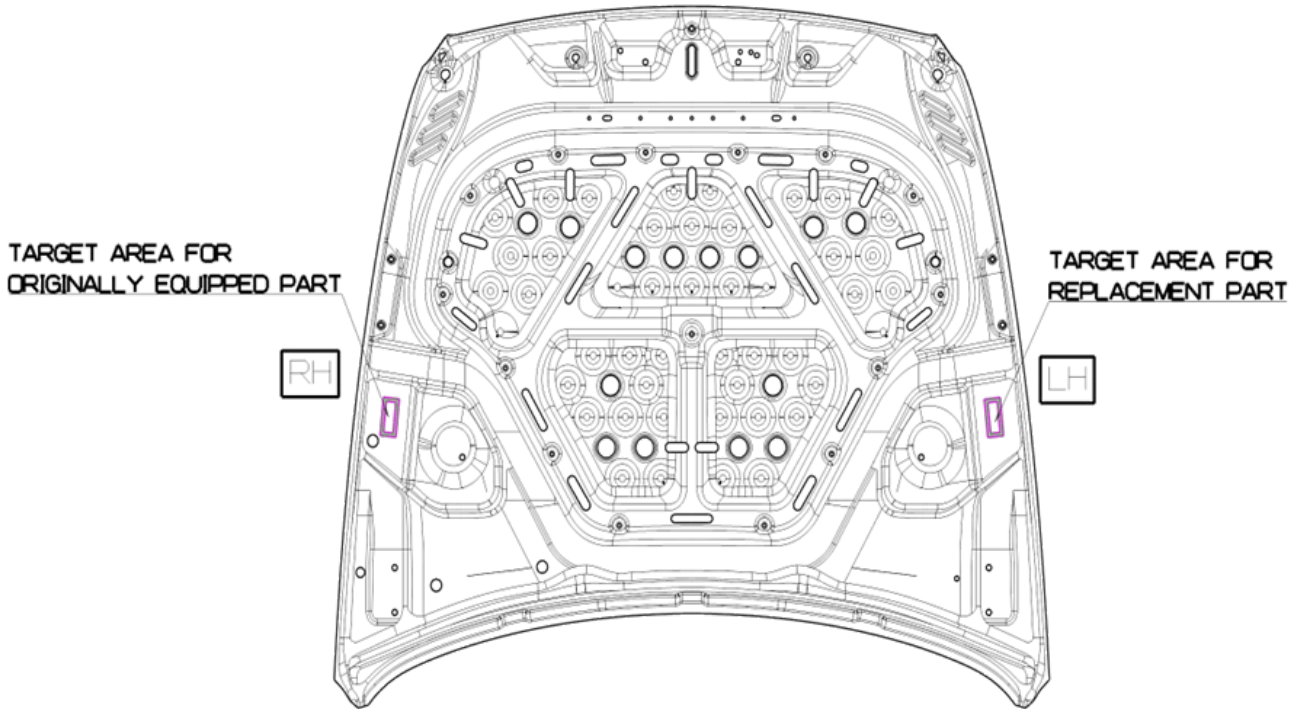


VIN marking area for G80/G80 Coupe model

1. Hood
2. Decklid
3. Front Fender (LH/RH)
4. Front Door (LH/RH)
5. Rear Door (LH/RH)
6. Side Outer Panel (LH/RH)
7. Front Bumper
8. Rear Bumper
9. Engine (2.5T, 3.5T)
10. Transmission



Hood



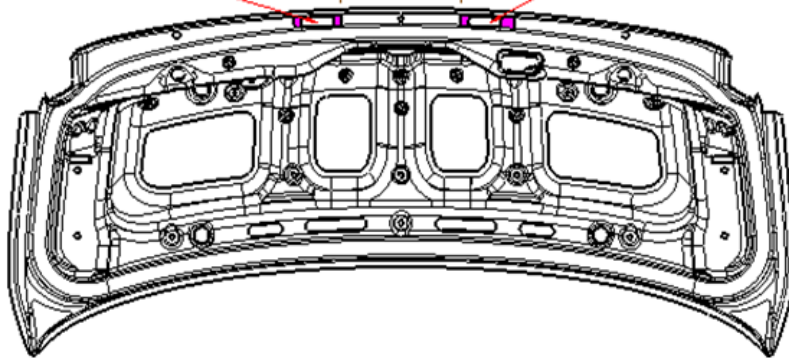
Decklid

TARGET AREA FOR
REPLACEMENT PART

MIN. 100

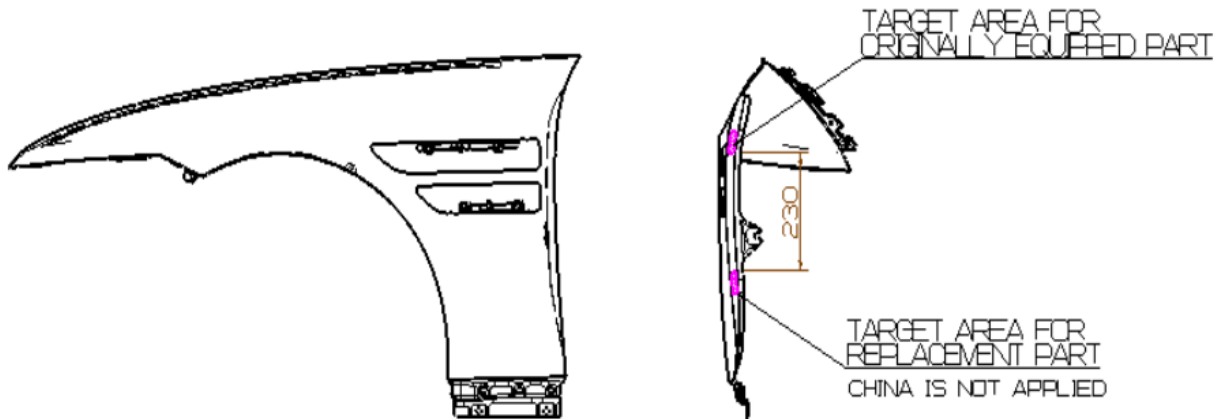
TARGET AREA FOR
ORIGINALLY EQUIPPED PART

LH



RH

Front Fender (LH/RH)



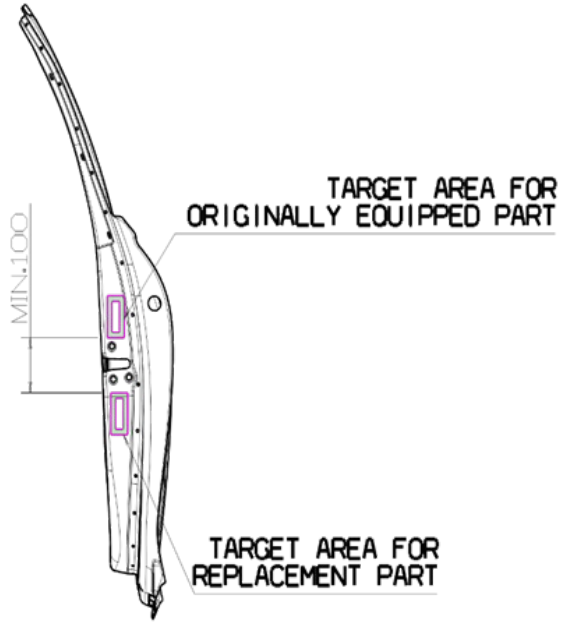
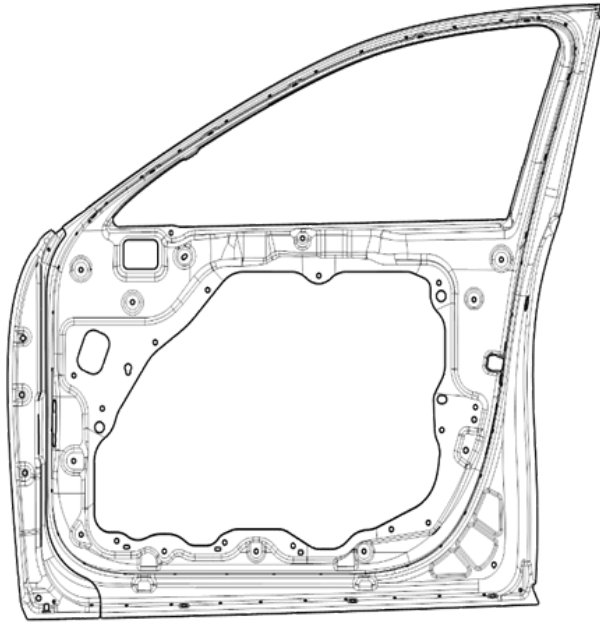
DETAIL Z

PNL ASSY-FENDER

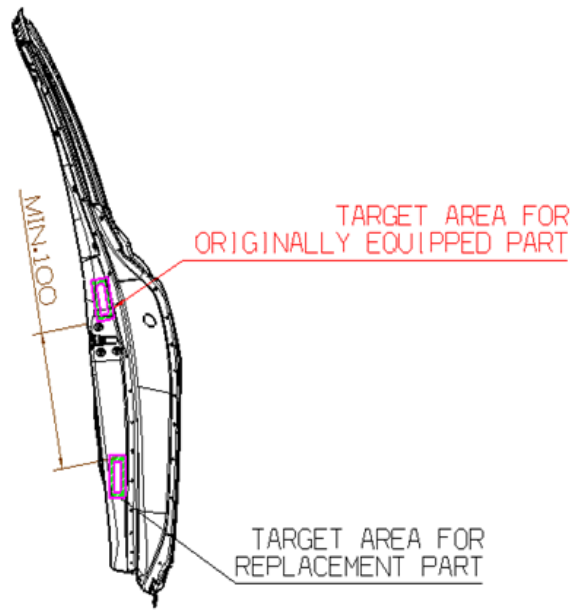
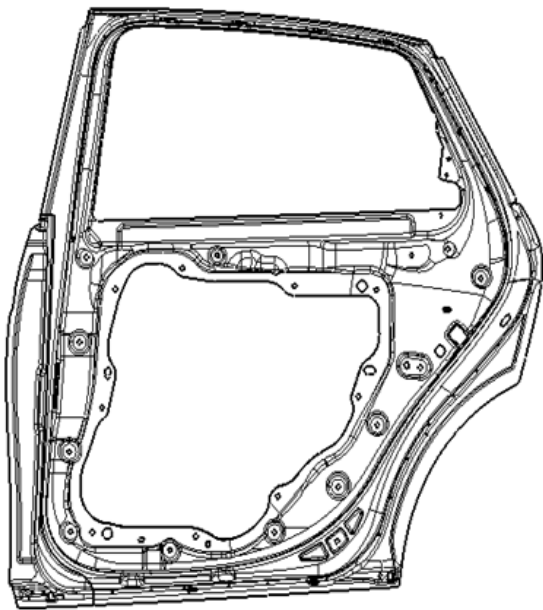
<APPLIED AREA>

- CHINA : PNL ASSY-FENDER, RH
- EXCEPT OF CHINA : PNL ASSY-FENDER, LH/RH

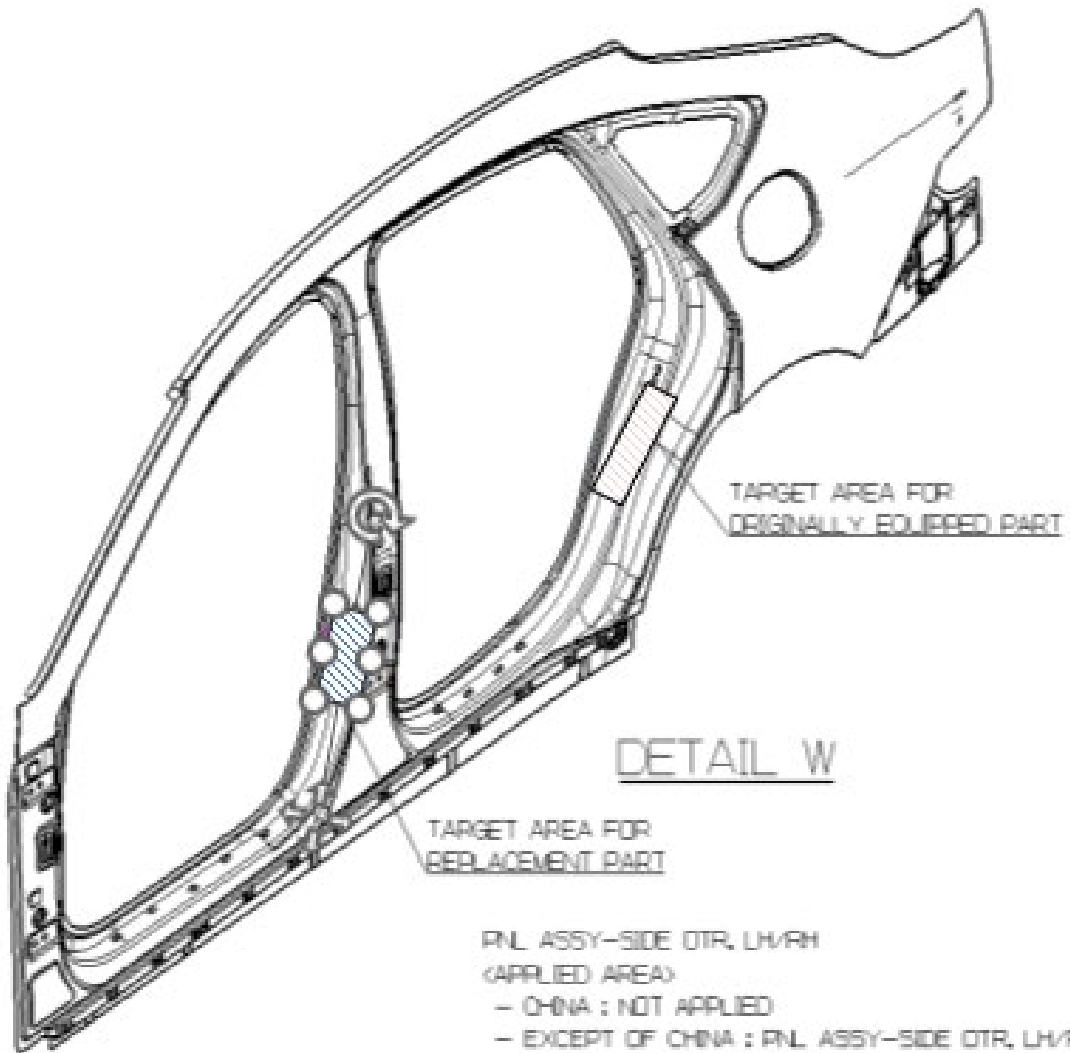
Front Door (LH/RH)



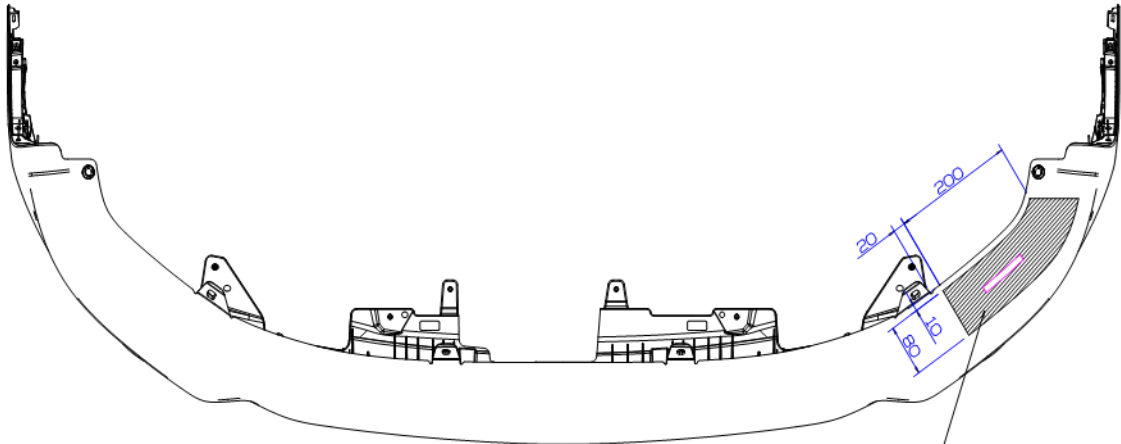
Rear Door (LH/RH)



Side Outer Panel (LH/RH)

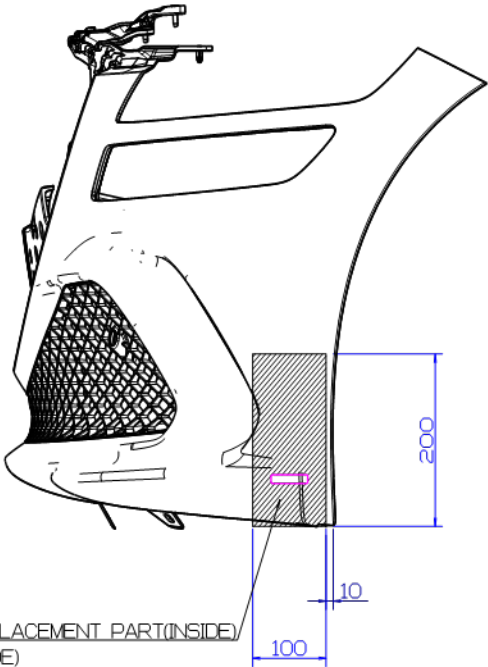


Front Bumper (GV80)



TARGET AREA FOR ORIGINALLY EQUIPPED PART
: ATTACH THE LABEL ON OUTER SURFACE OF BUMPER (RH)
81891-02000 (LABEL-VIN)

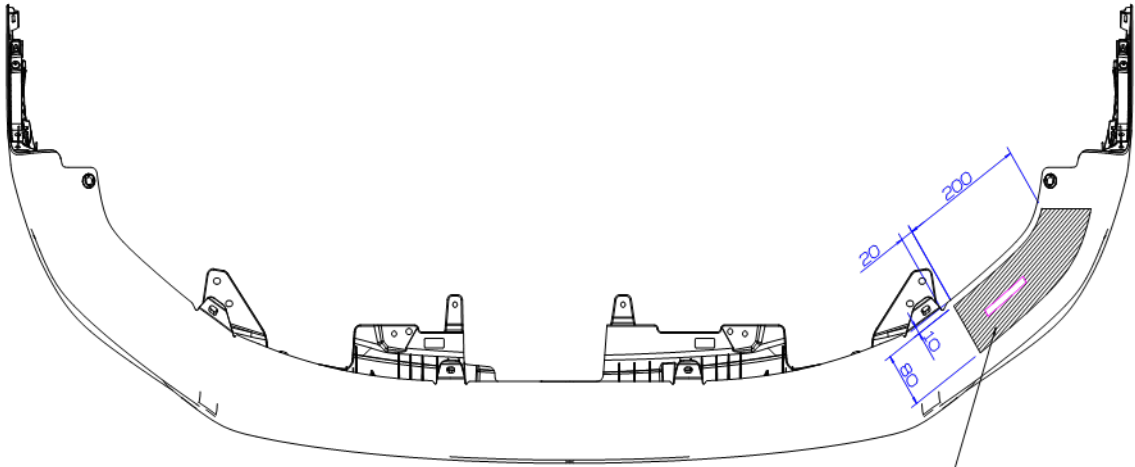
BOTTOM VIEW



TARGET AREA FOR REPLACEMENT PART (INSIDE)
(LH SIDE)

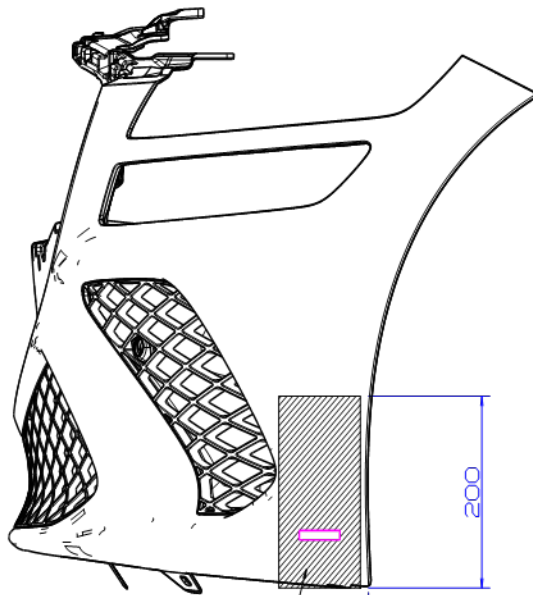
SIDE VIEW

Front Bumper (GV80 Coupe)



TARGET AREA FOR ORIGINALLY EQUIPPED PART
: ATTACH THE LABEL ON OUTER SURFACE OF BUMPER (RH)
81891-D2000 (LABEL-VIN)

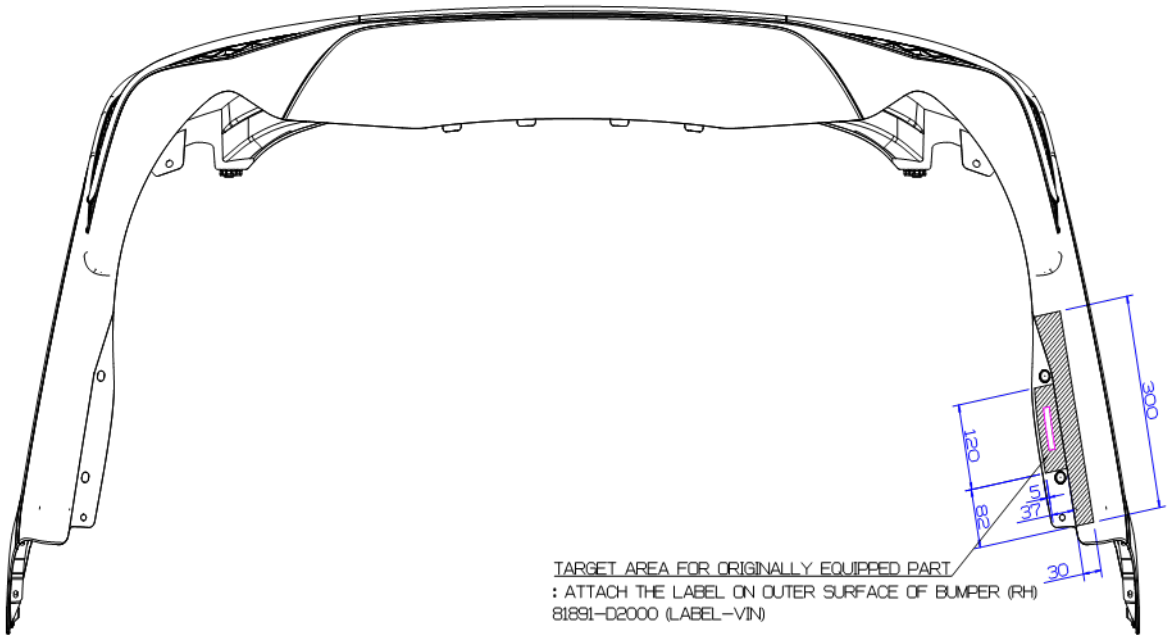
BOTTOM VIEW



TARGET AREA FOR REPLACEMENT PART (INSIDE)
(LH SIDE)

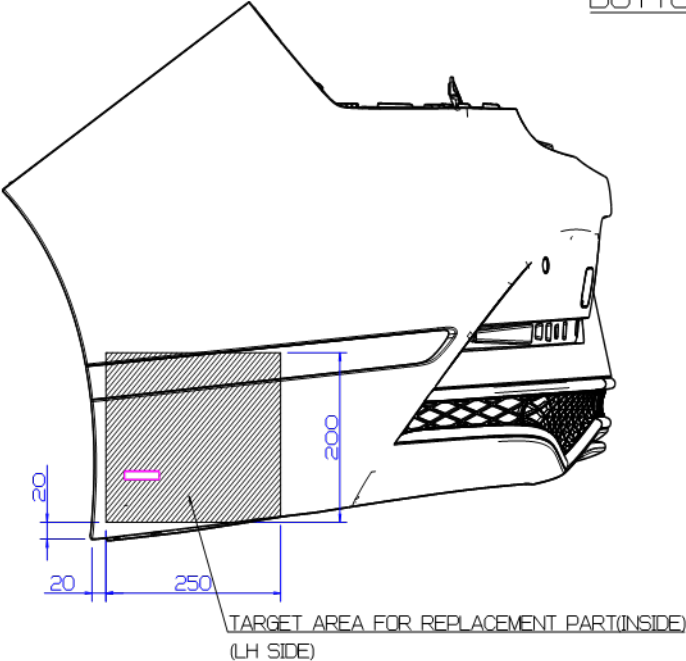
SIDE VIEW

Rear Bumper (GV80)



TARGET AREA FOR ORIGINALLY EQUIPPED PART
: ATTACH THE LABEL ON OUTER SURFACE OF BUMPER (RH)
81891-02000 (LABEL-VIN)

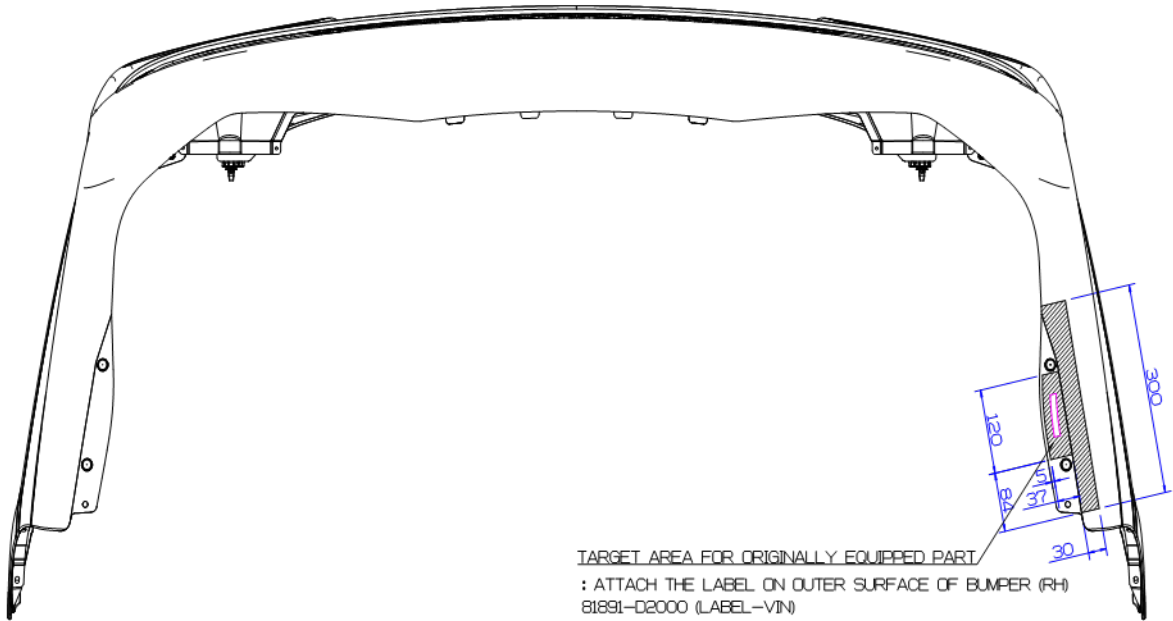
BOTTOM VIEW



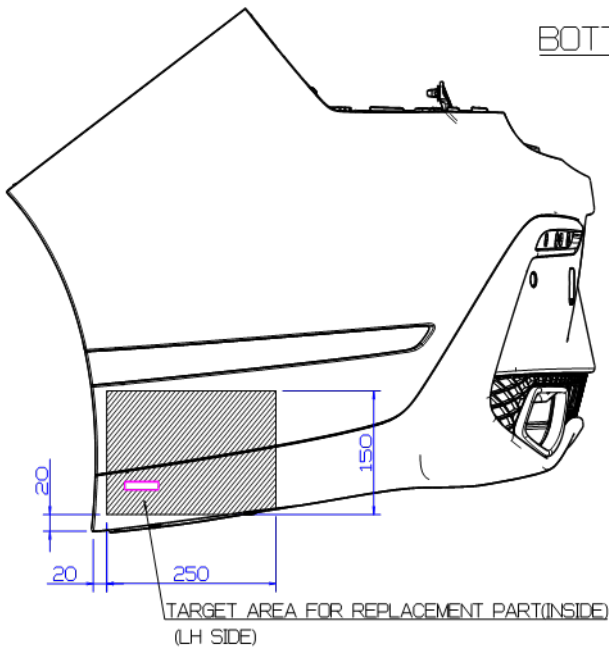
TARGET AREA FOR REPLACEMENT PART (INSIDE)
(LH SIDE)

SIDE VIEW

Rear Bumper (GV80 Coupe)

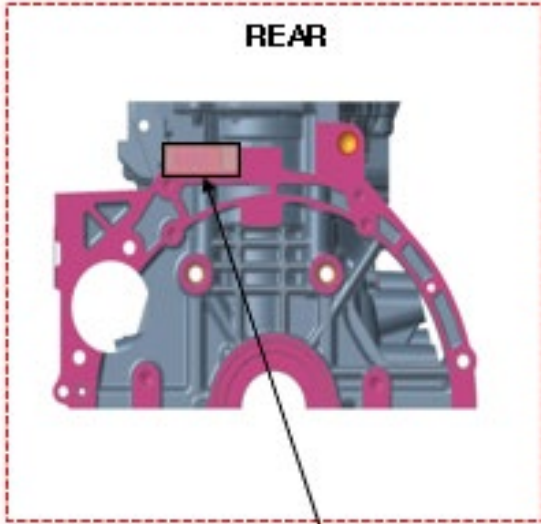


BOTTOM VIEW

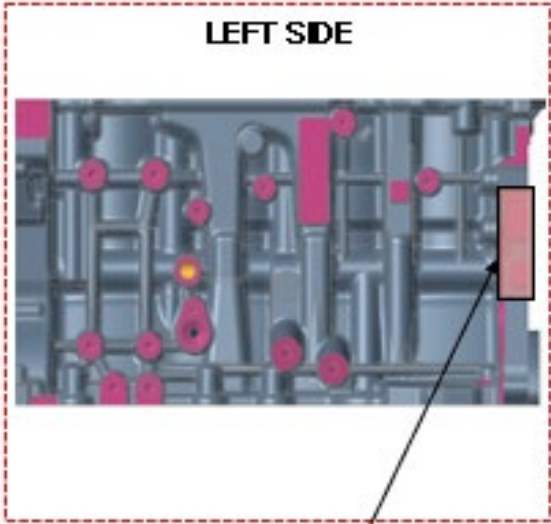


SIDE VIEW

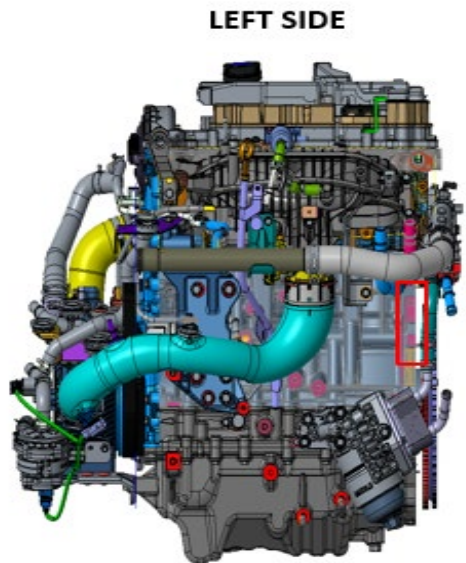
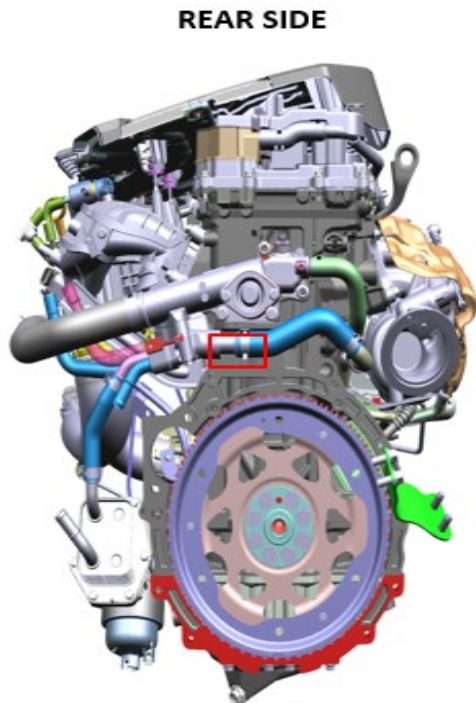
Engine (2.5 T-GDI)



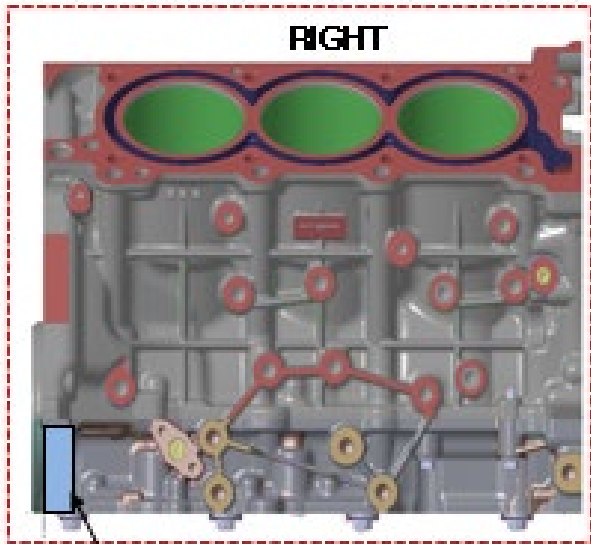
**TARGET AREA FOR
REPLACEMENT PART
(R-DOT)**



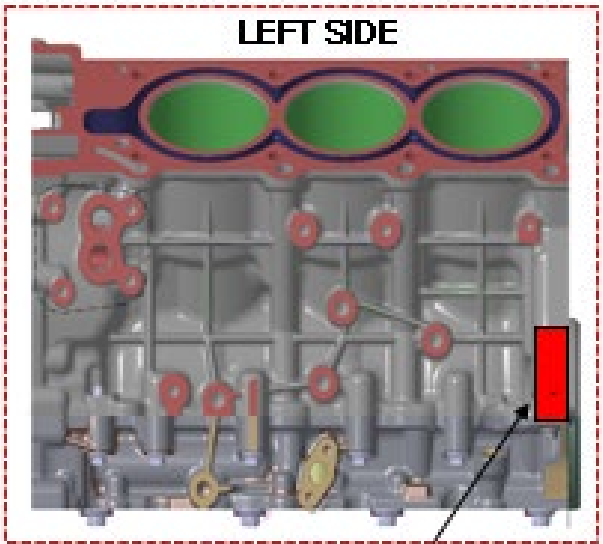
**TARGET AREA FOR
ORIGINALLY EQUIPPED
PART
(VIN-PLATE)**



Engine (3.5L T-GDI)



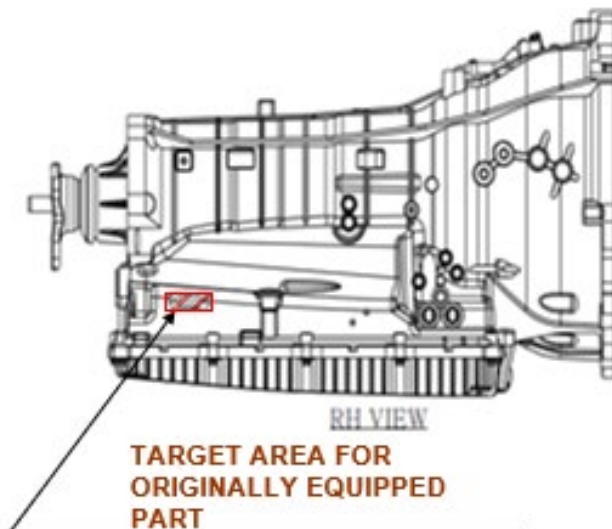
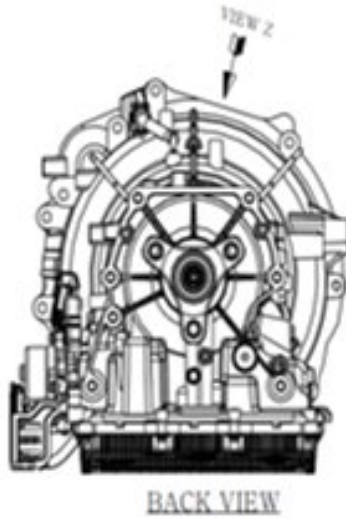
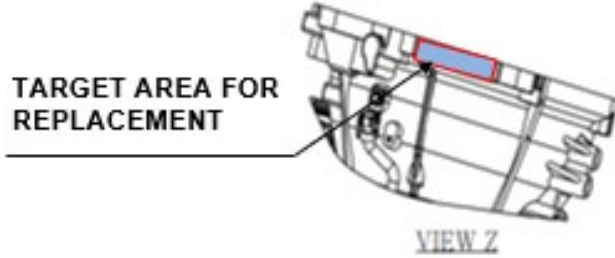
**TARGET AREA FOR
REPLACEMENT PART**



**TARGET AREA FOR
ORIGINALLY EQUIPPED
PART**

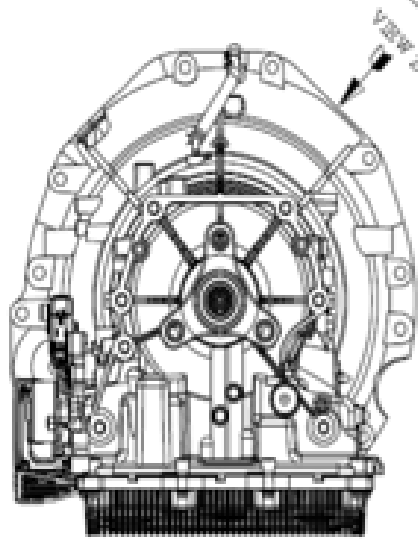
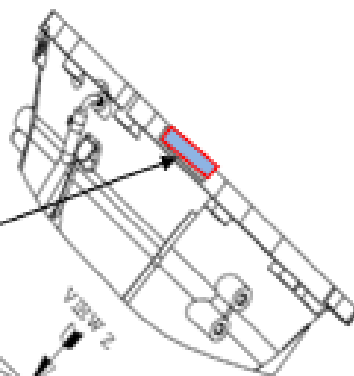


Transmission (Auto for THETA 2.5 Engine)



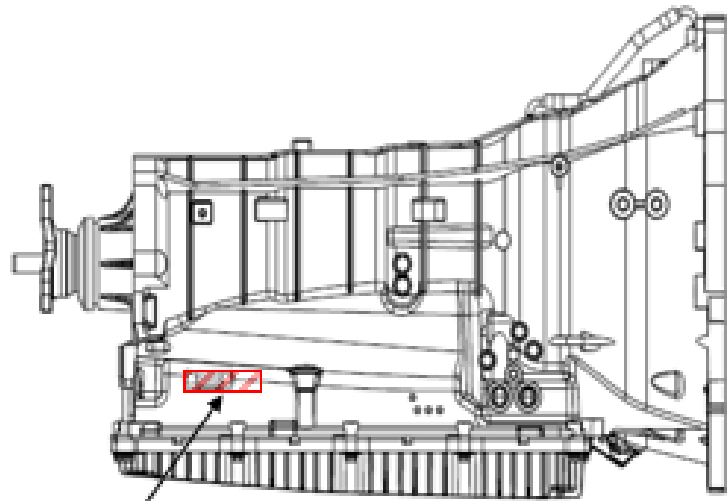
Transmission (Auto for LAMBDA 3.5T Engine)

TARGET AREA FOR REPLACEMENT PART



VIEW Z

BACK VIEW



RH VIEW

TARGET AREA FOR ORIGINALLY EQUIPPED PART