

VIN marking area for Carnival model

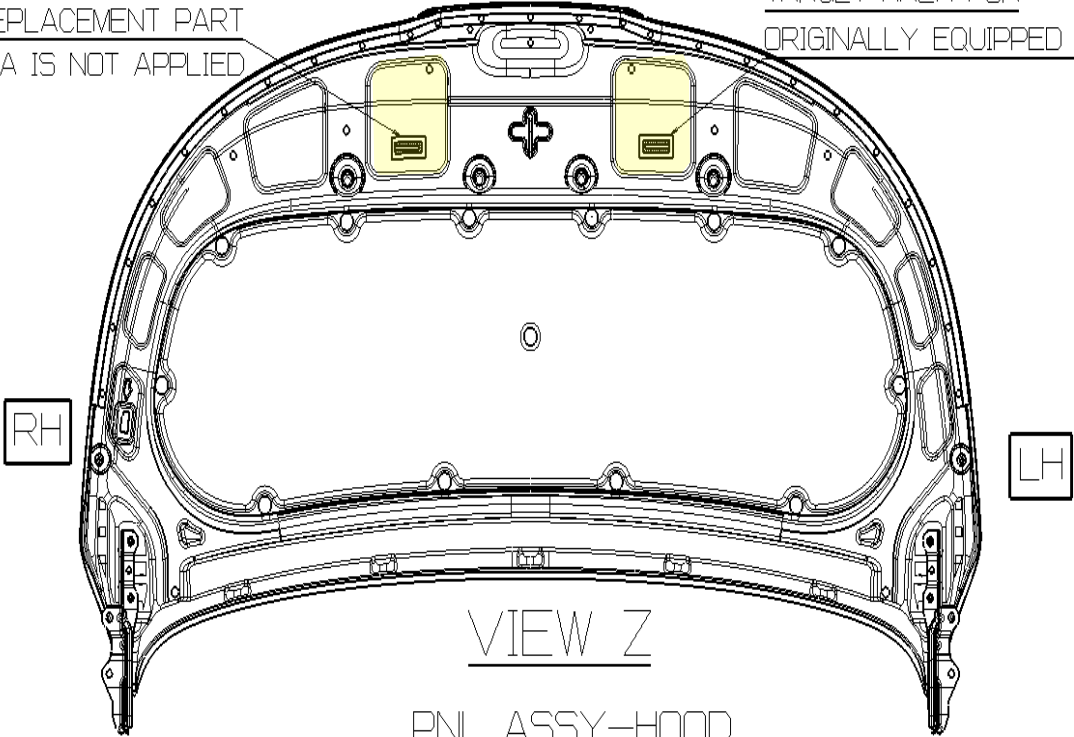
1. Hood
2. Tailgate
3. Front Fender (LH/RH)
4. Front Door (LH/RH)
5. Rear Door (LH/RH)
6. Side Outer Panel (LH/RH)
7. Front Bumper
8. Rear Bumper
9. Engine
10. Transmission



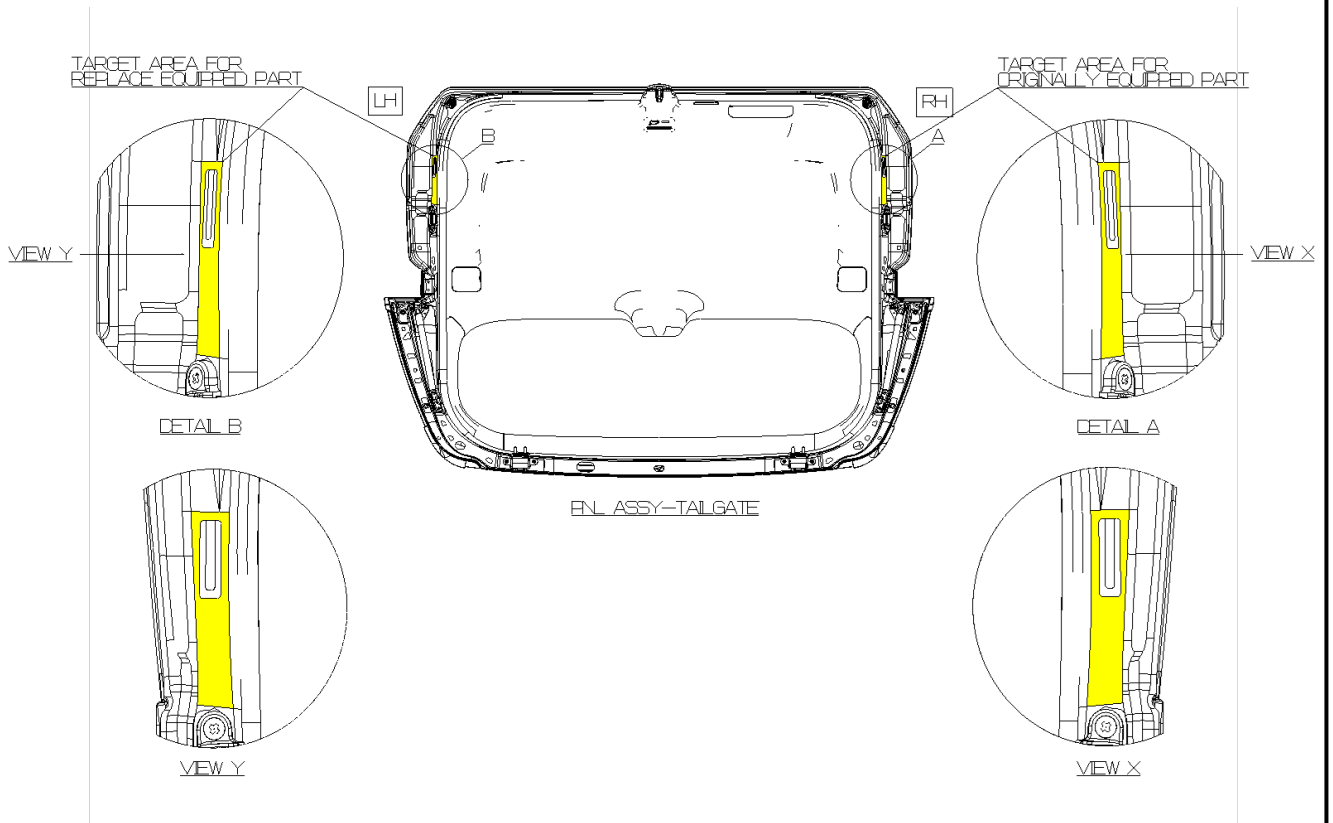
Hood

TARGET AREA FOR
REPLACEMENT PART
CHINA IS NOT APPLIED

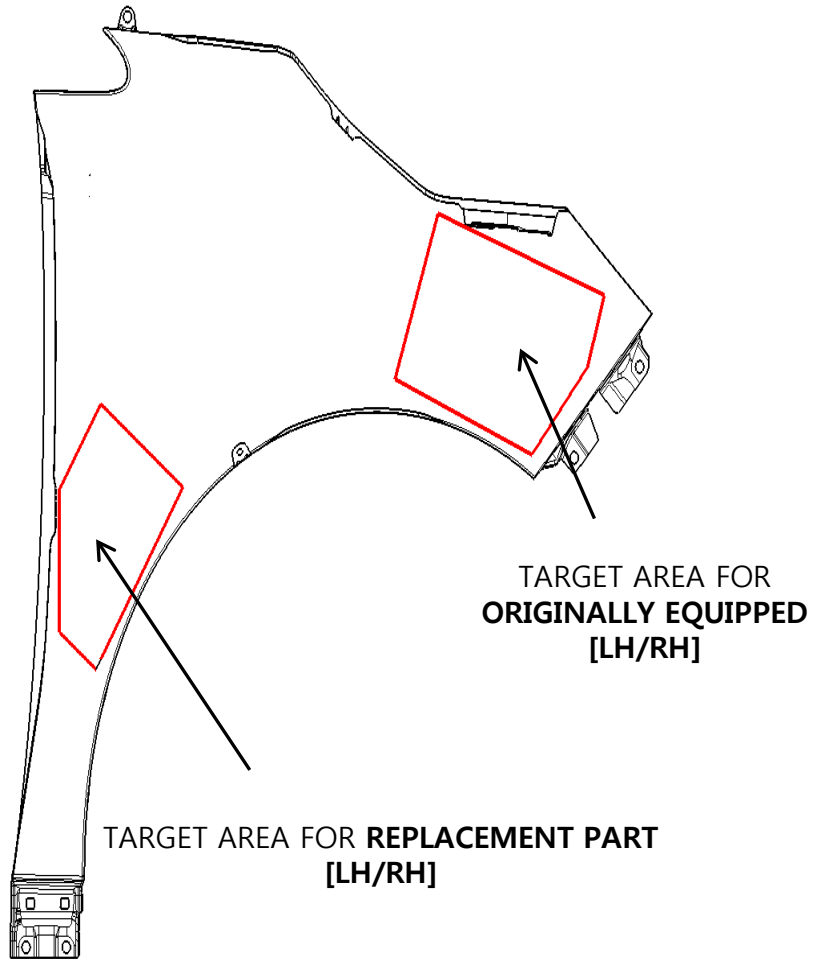
TARGET AREA FOR
ORIGINALLY EQUIPPED PART



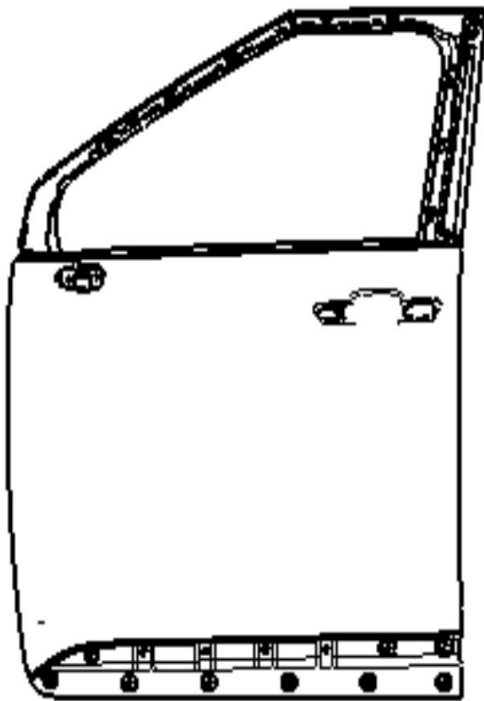
Tailgate



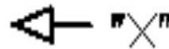
Front Fender (LH/RH)



Front Door (LH/RH)

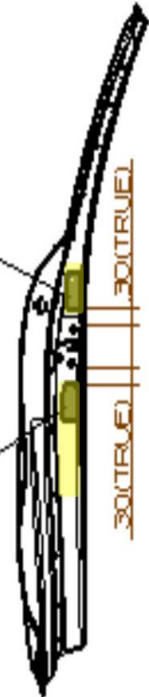


PNL ASSY-FR DR, LH/RH

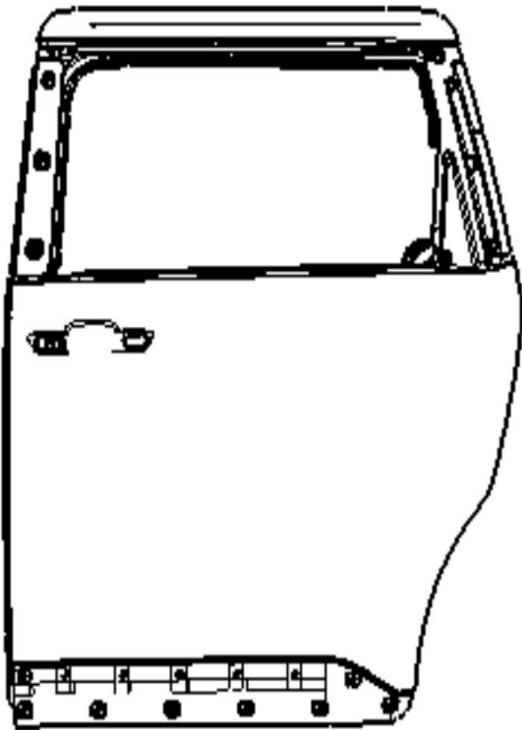


TARGET AREA FOR
REPLACEMENT PART

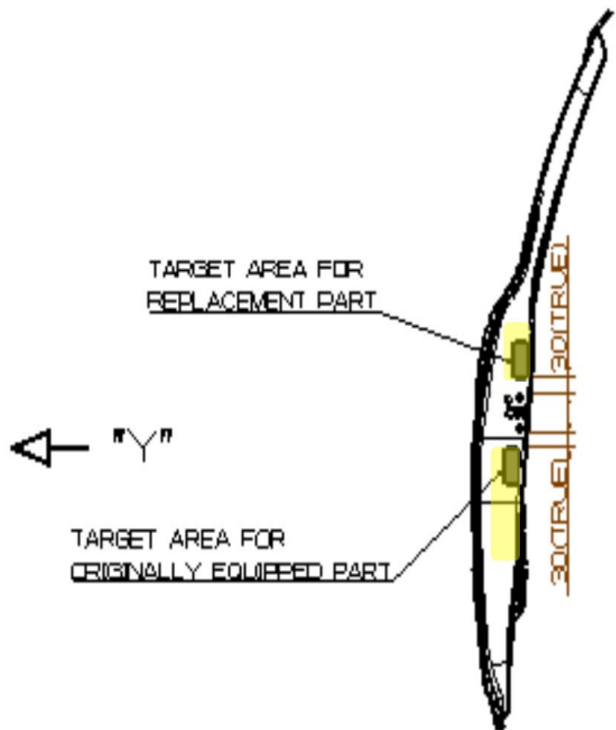
TARGET AREA FOR
ORIGINALLY EQUIPPED PART



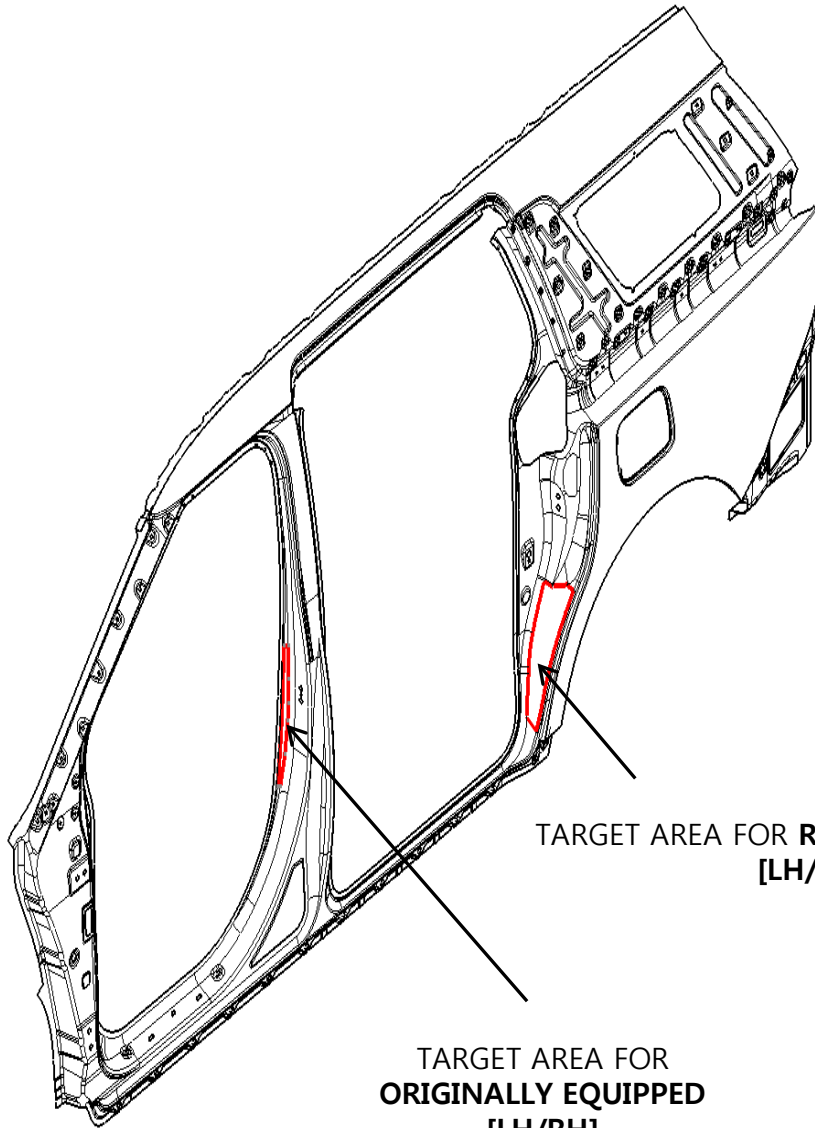
Rear Door (LH/RH)



PNL ASSY-RR DR. LH/RH



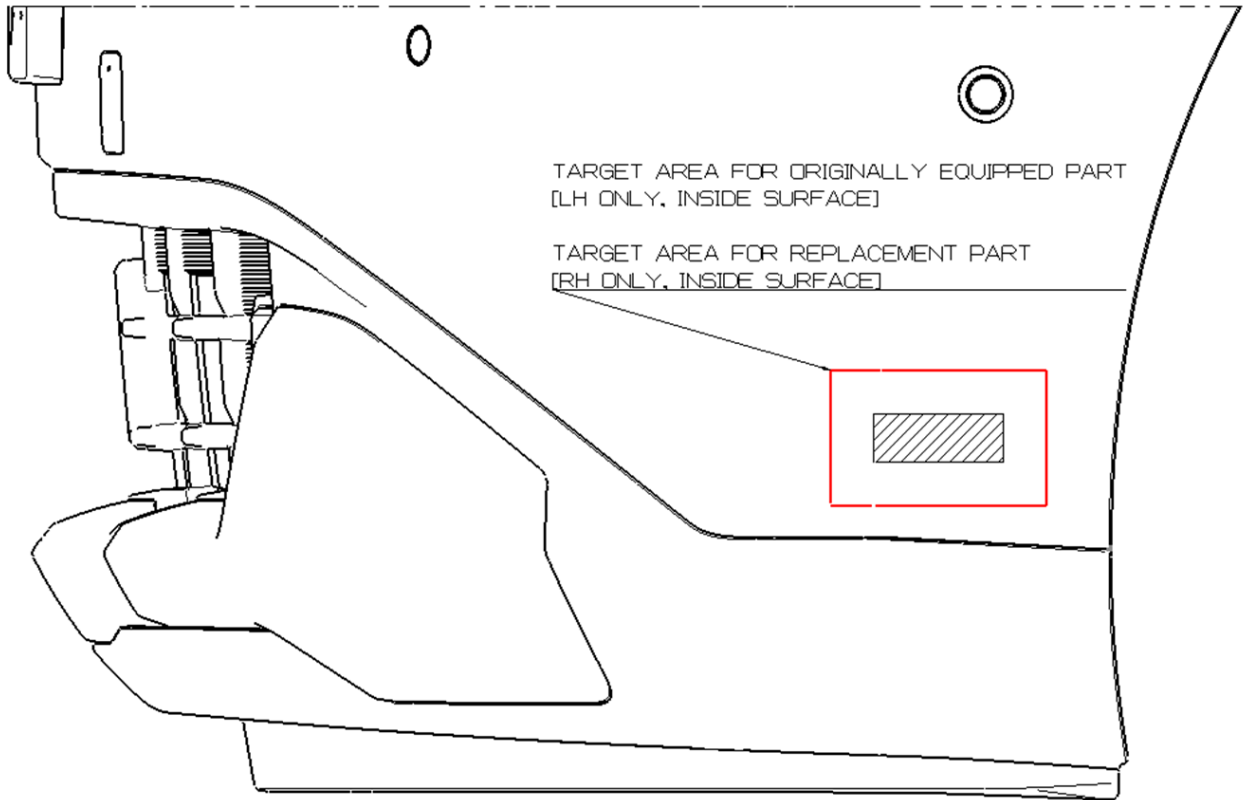
Side Outer Panel (LH/RH)



TARGET AREA FOR **REPLACEMENT PART**
[LH/RH]

TARGET AREA FOR
ORIGINALLY EQUIPPED
[LH/RH]

Front Bumper

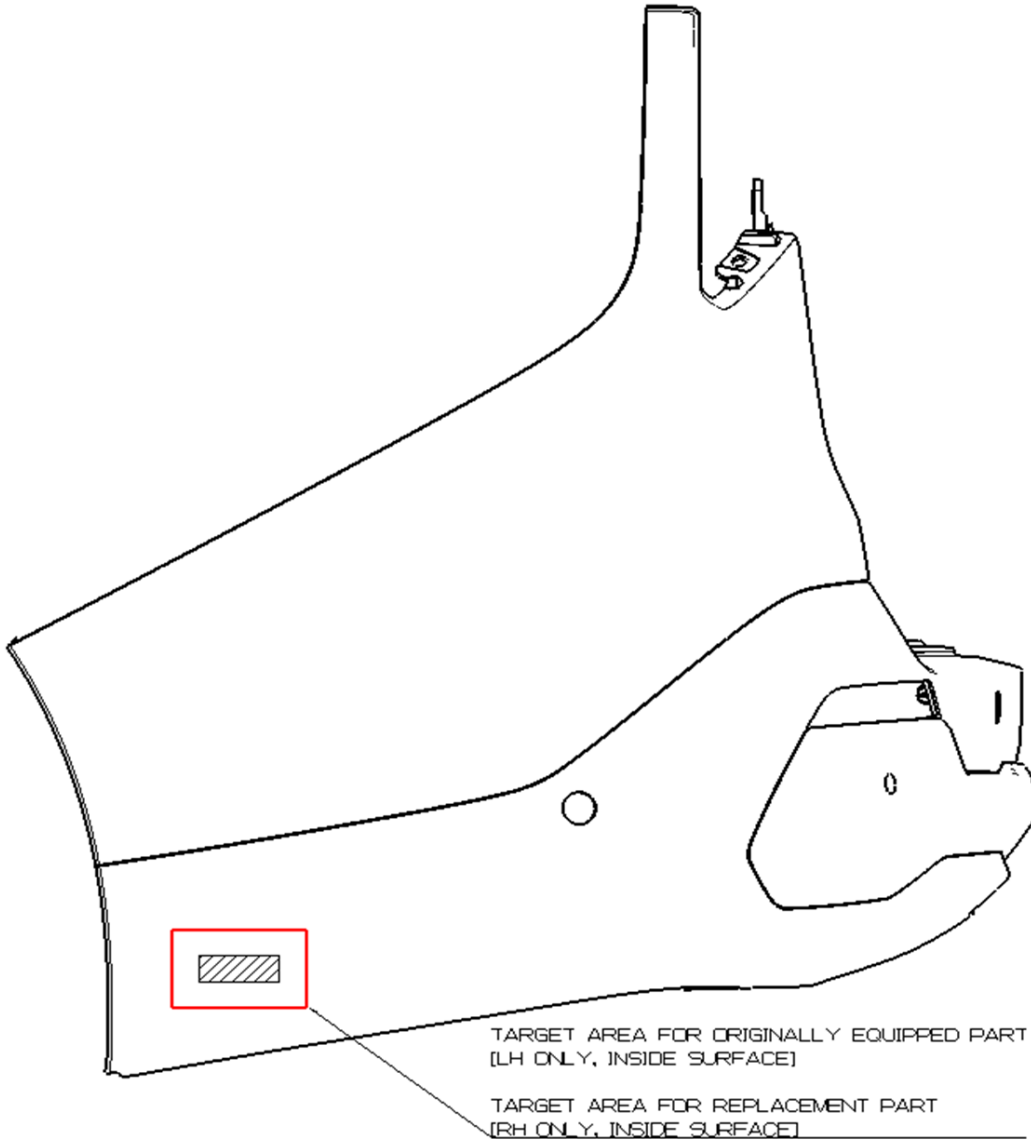


FOR U.S.A ONLY
(LABEL STICKER ATTACH TO INSIDE AREA
TO BE PRIMER COATED  POSITION)

LH	ORIGINALLY EQUIPPED PART
RH	REPLACEMENT PART (A/S)

< LABEL — VIN >

Rear Bumper

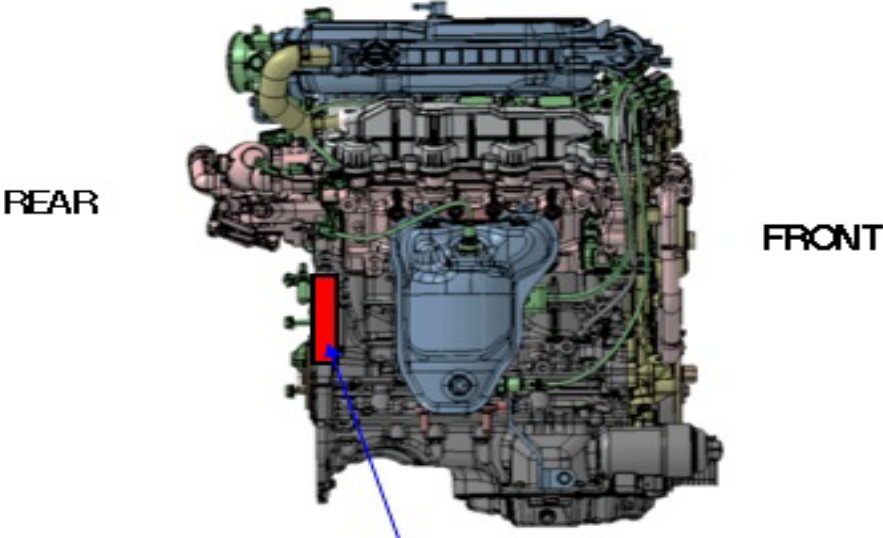


FOR U.S.A ONLY
(LABEL STICKER ATTACH TO INSIDE AREA
TO BE PRIMER COATED (HATCHED POSITION))

LH	ORIGINALLY EQUIPPED PART
RH	REPLACEMENT PART (A/S)

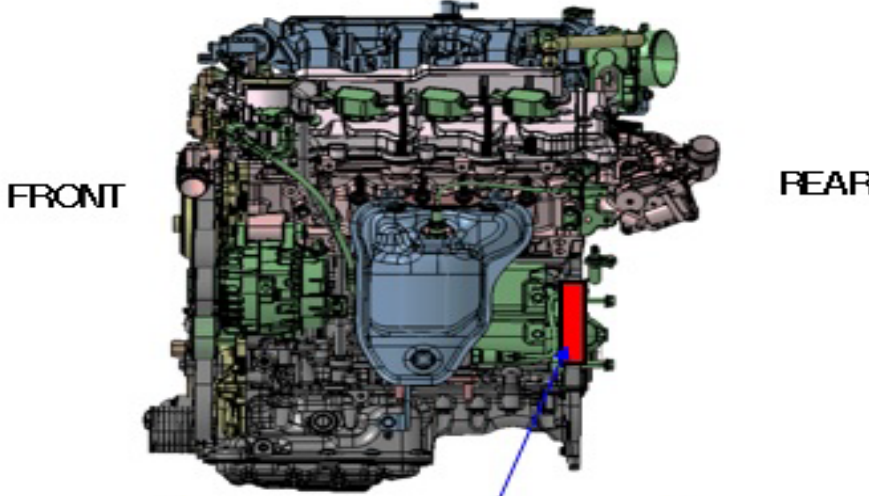
< LABEL - VIN >

Engine (3.5L)



TARGET AREA FOR
REPLACEMENT PART

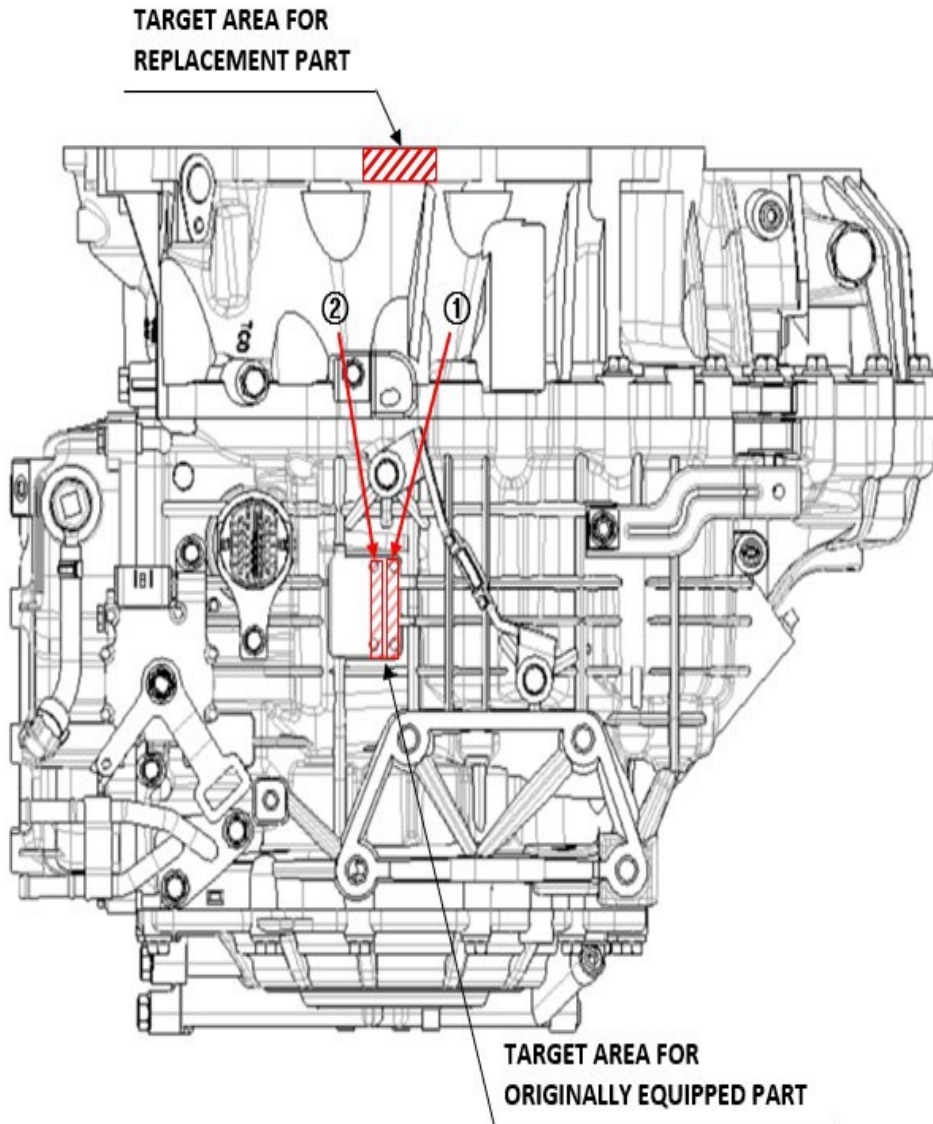
(RH VIEW)



TARGET AREA FOR
ORIGINALLY EQUIPPED
PART (VIN PLATE)

(LH VIEW)

Transmission



※ VIN plate for originally equipped part
will be attached to either ① or ②.