

VIN marking area for K5 model

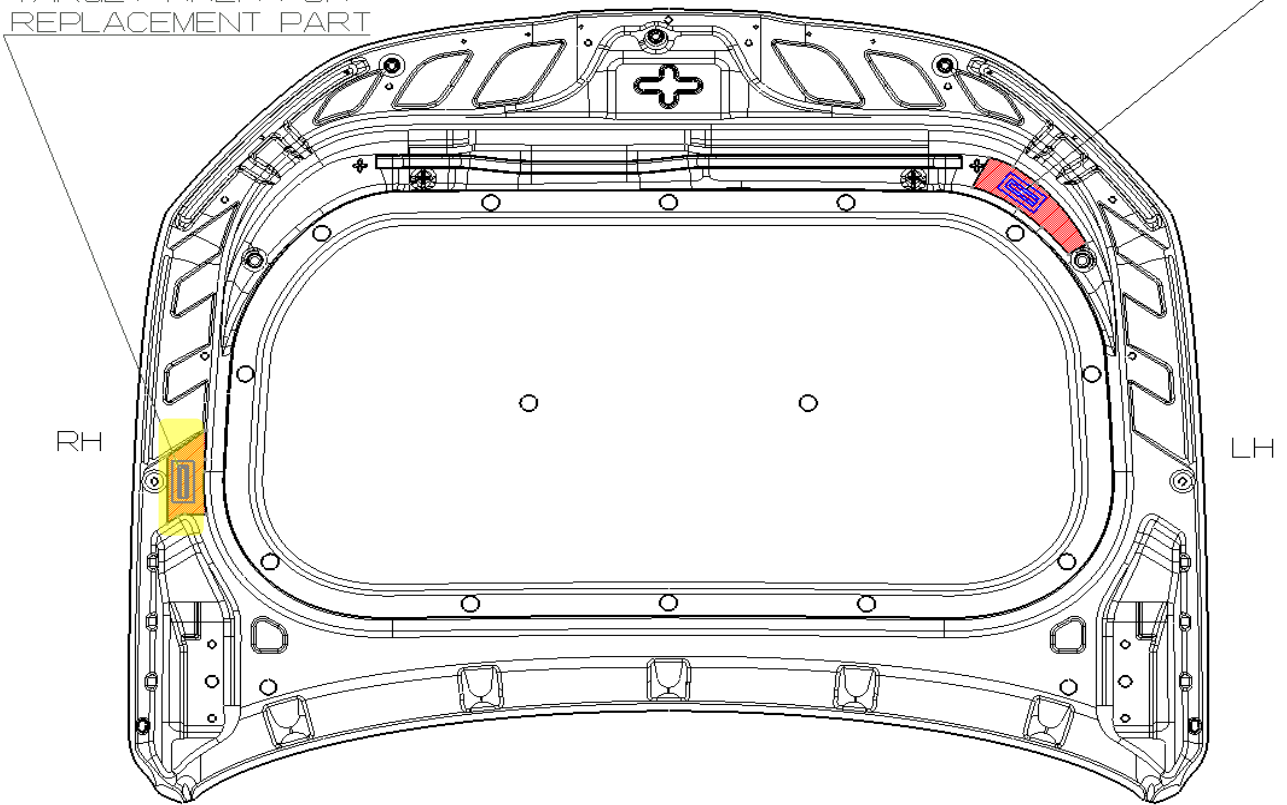
1. Hood
2. Trunk Lid
3. Front Fender (LH/RH)
4. Front Door (LH/RH)
5. Rear Door (LH/RH)
6. Side Outer Panel (LH/RH)
7. Front Bumper
8. Rear Bumper
9. Engine
10. Transmission (8DCT, 8AT)



Hood

TARGET AREA FOR
REPLACEMENT PART

TARGET AREA FOR
ORIGINALLY EQUIPPED PART

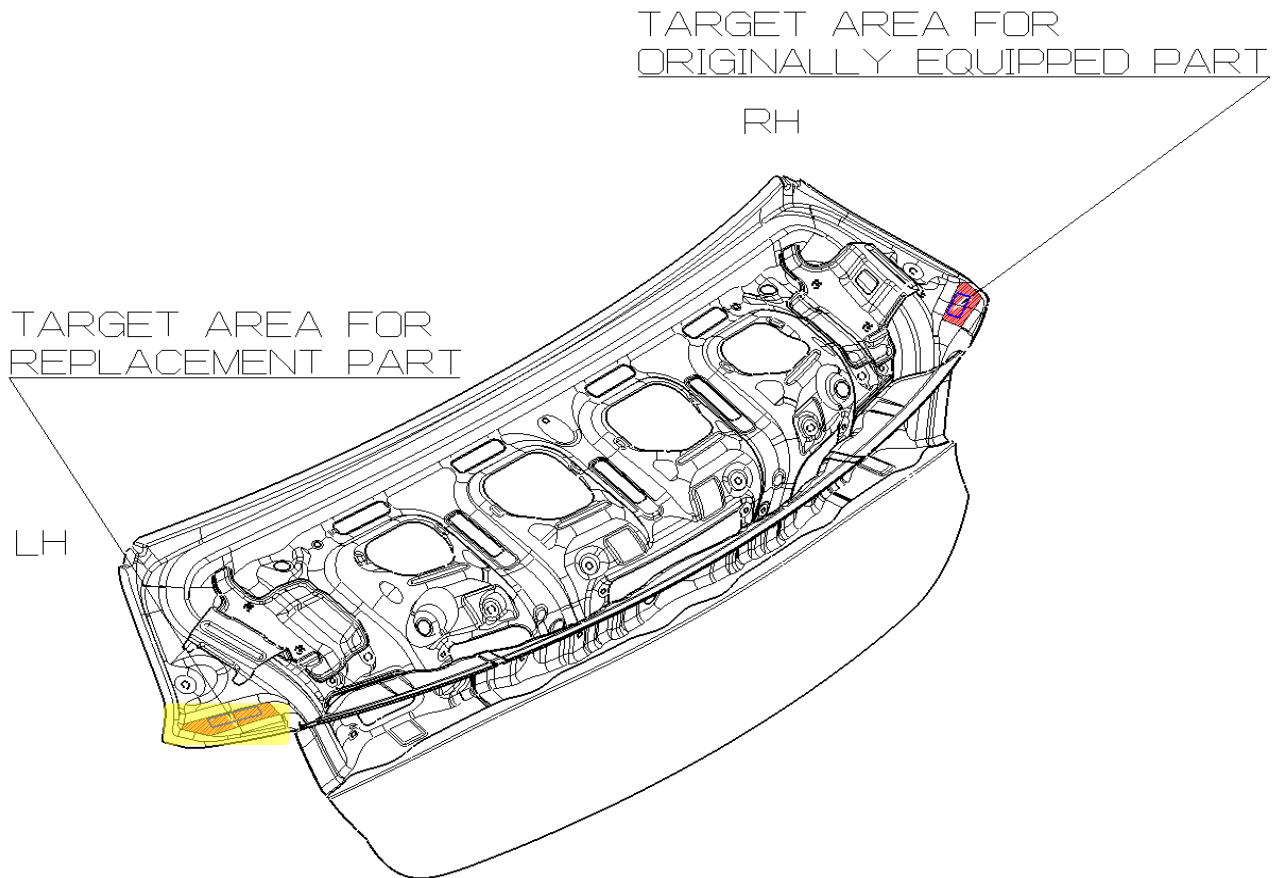


Originally Equipped Part



Replacement Part

Trunk Lid

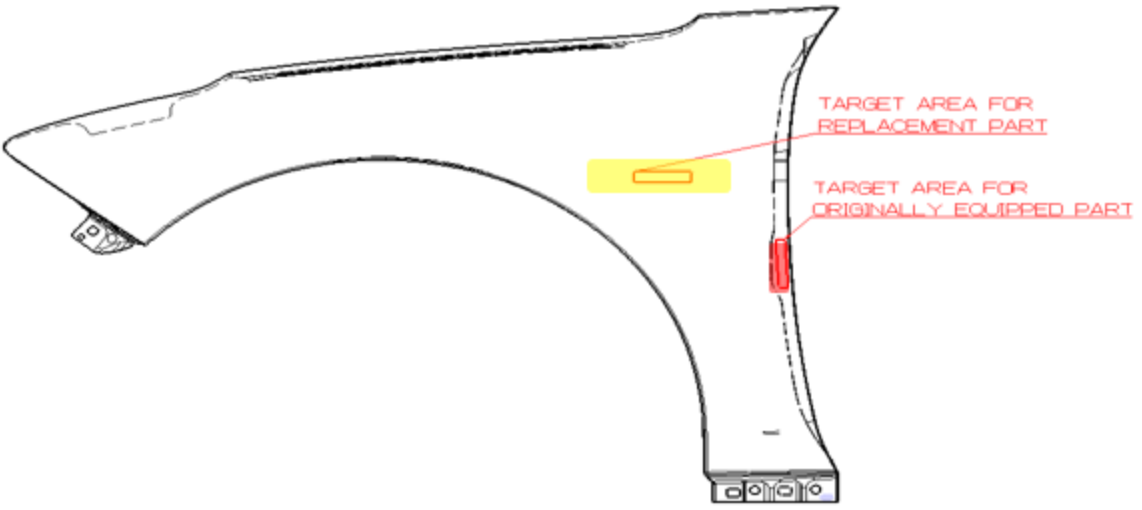
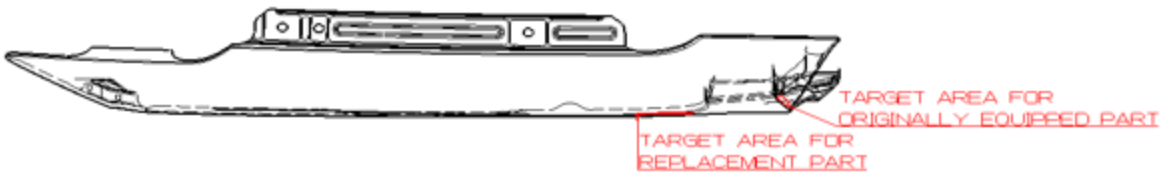


Originally Equipped Part



Replacement Part

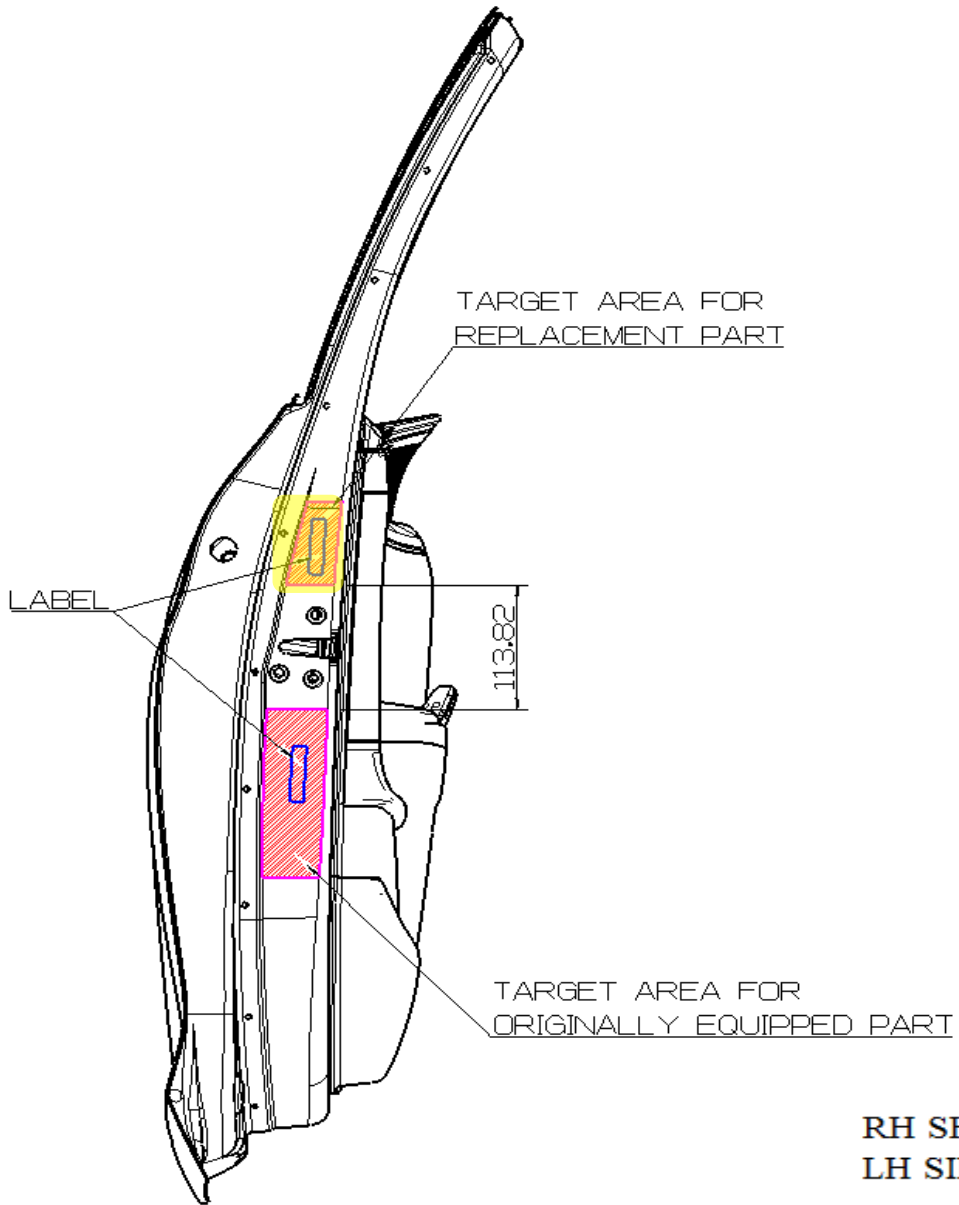
Front Fender (LH/RH)



Originally Equipped Part

Replacement Part

Front Door (LH/RH)

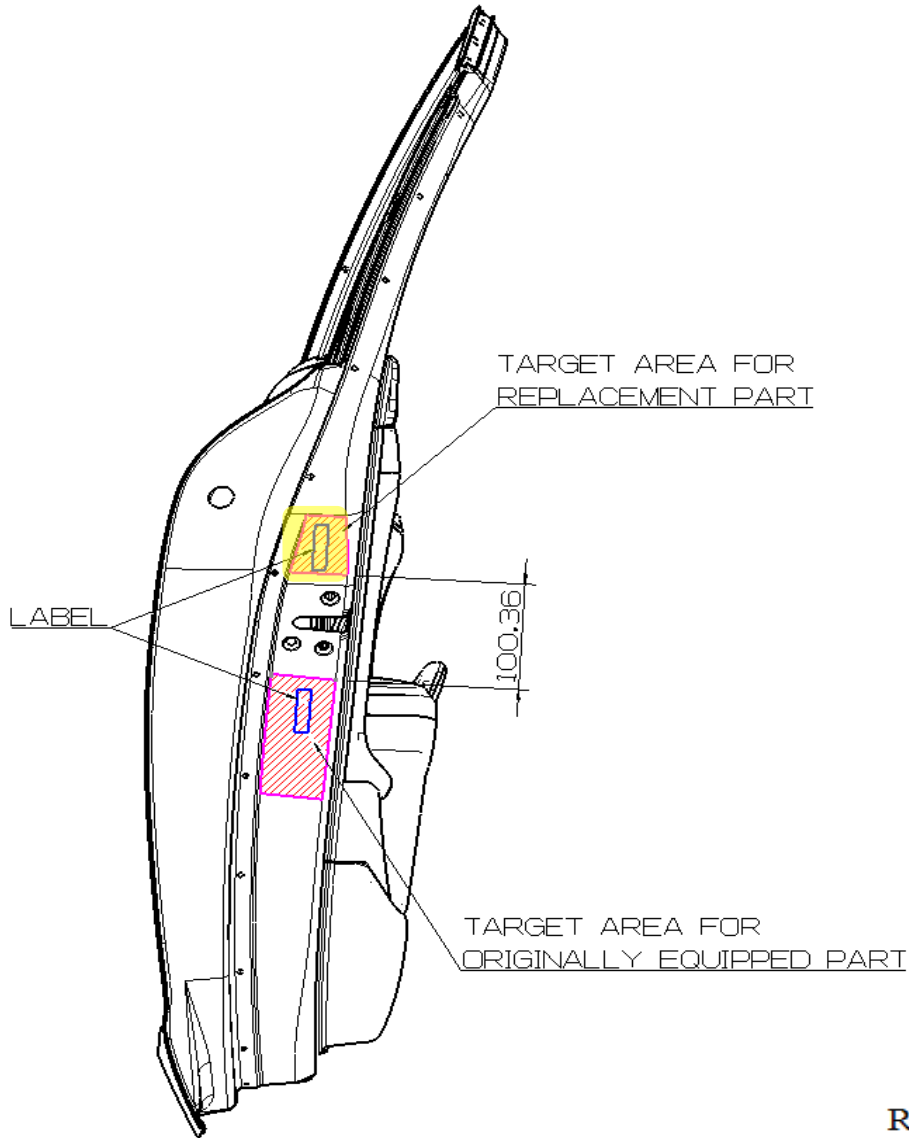


RH SHOWN
LH SIMILAR

 Originally Equipped Part

 Replacement Part

Rear Door (LH/RH)

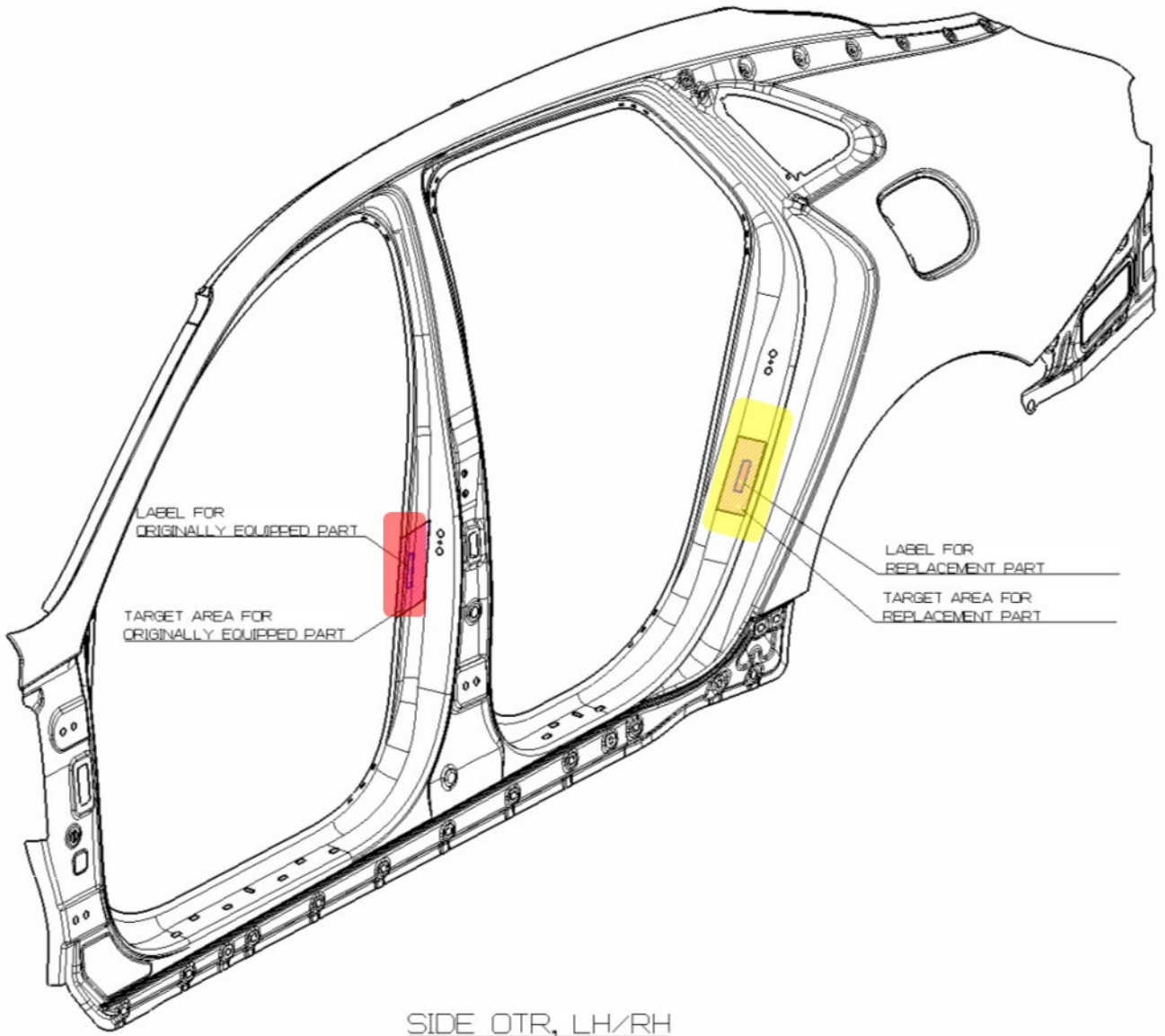


RH SHOWN
LH SIMILAR

 Originally Equipped Part

 Replacement Part

Side Outer Panel (LH/RH)



SIDE OTR, LH/RH

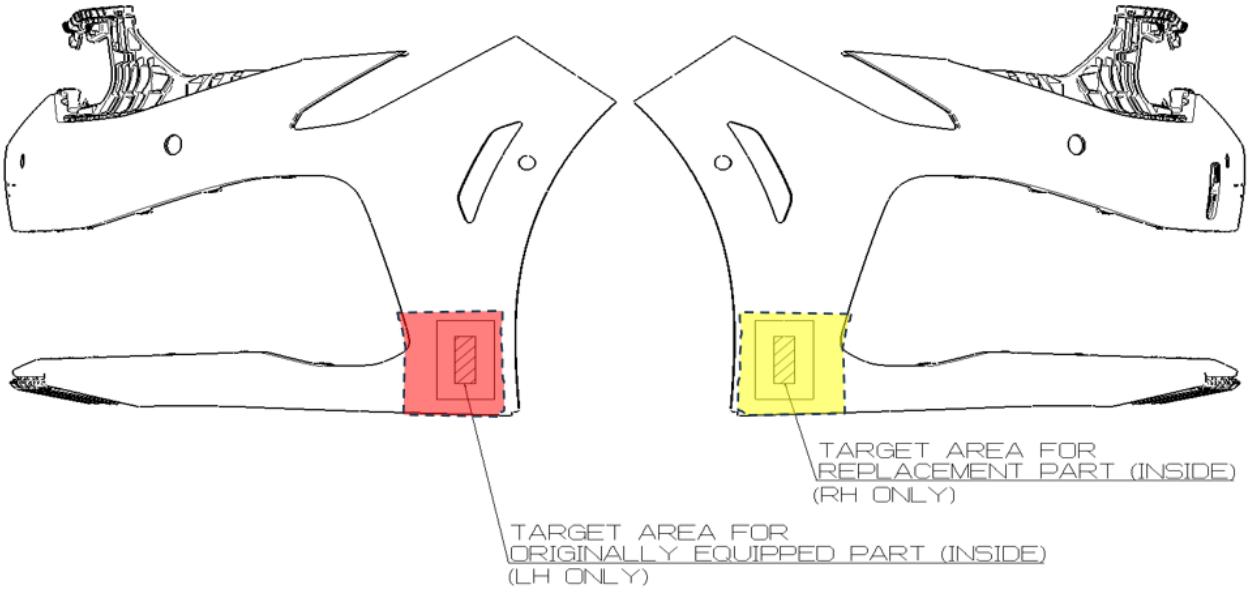


Originally Equipped Part



Replacement Part

Front Bumper

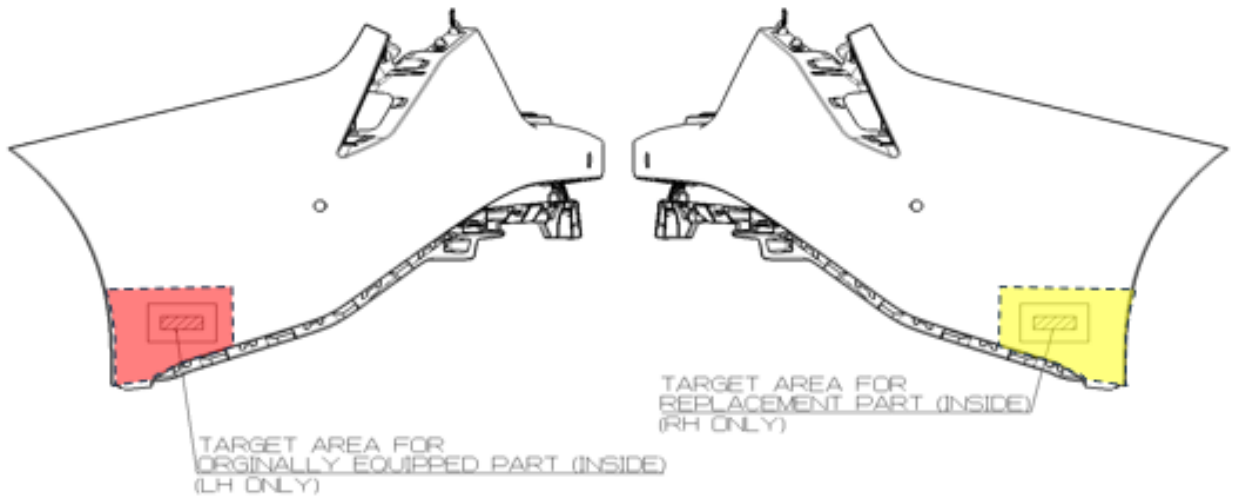


Originally Equipped Part



Replacement Part

Rear Bumper

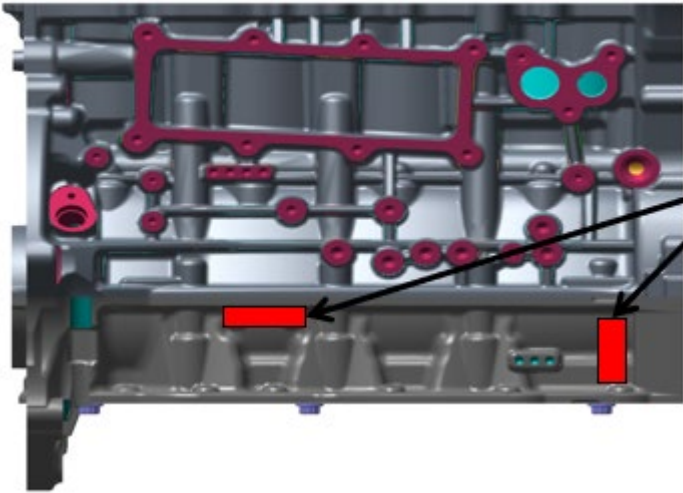


Originally Equipped Part



Replacement Part

Engine



TARGET AREA FOR ORIGINALLY EQUIPPED PART (VIN PLATE)



TARGET AREA FOR REPLACEMENT PART



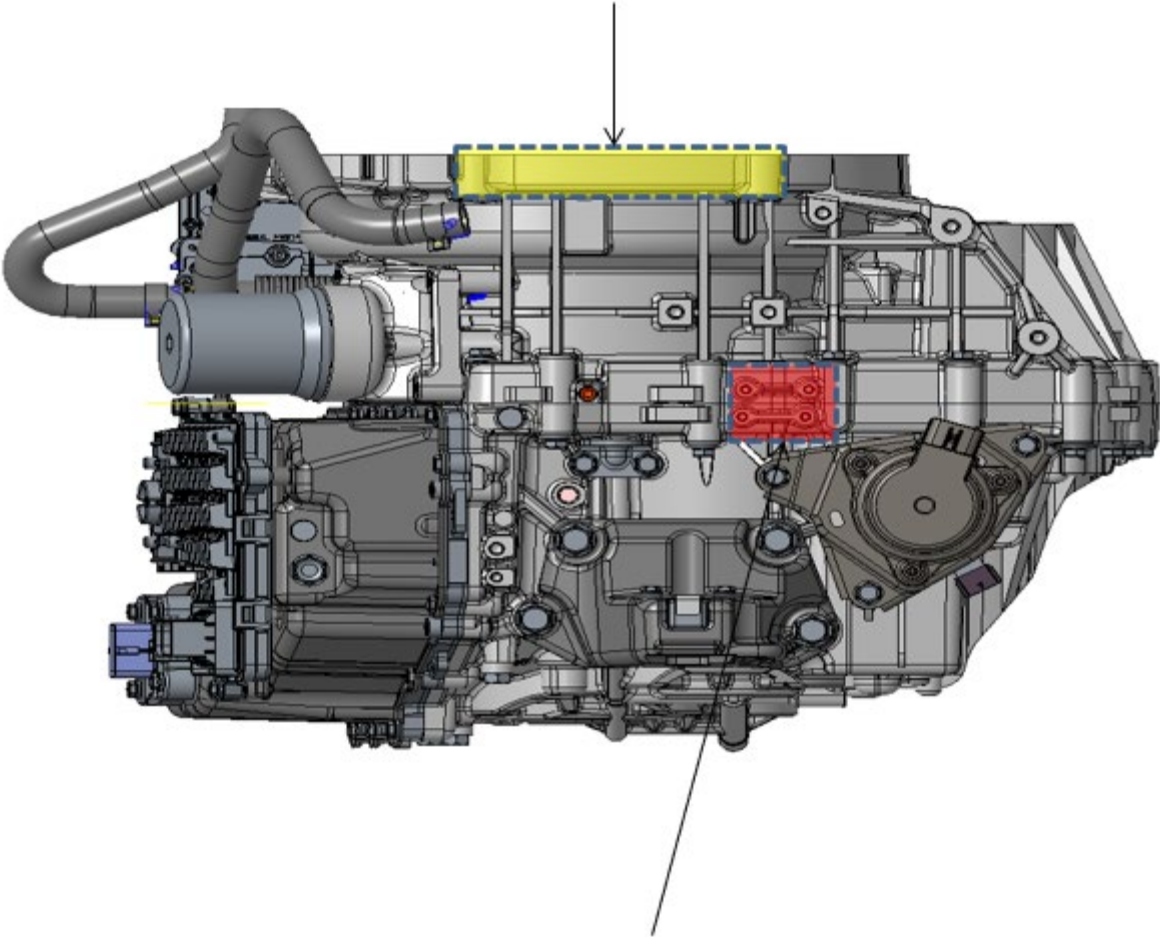
Originally Equipped Part



Replacement Part

Transmission (8DCT)

TARGET AREA FOR REPLACEMENT PART



TARGET AREA FOR ORIGINALLY EQUIPPED PART



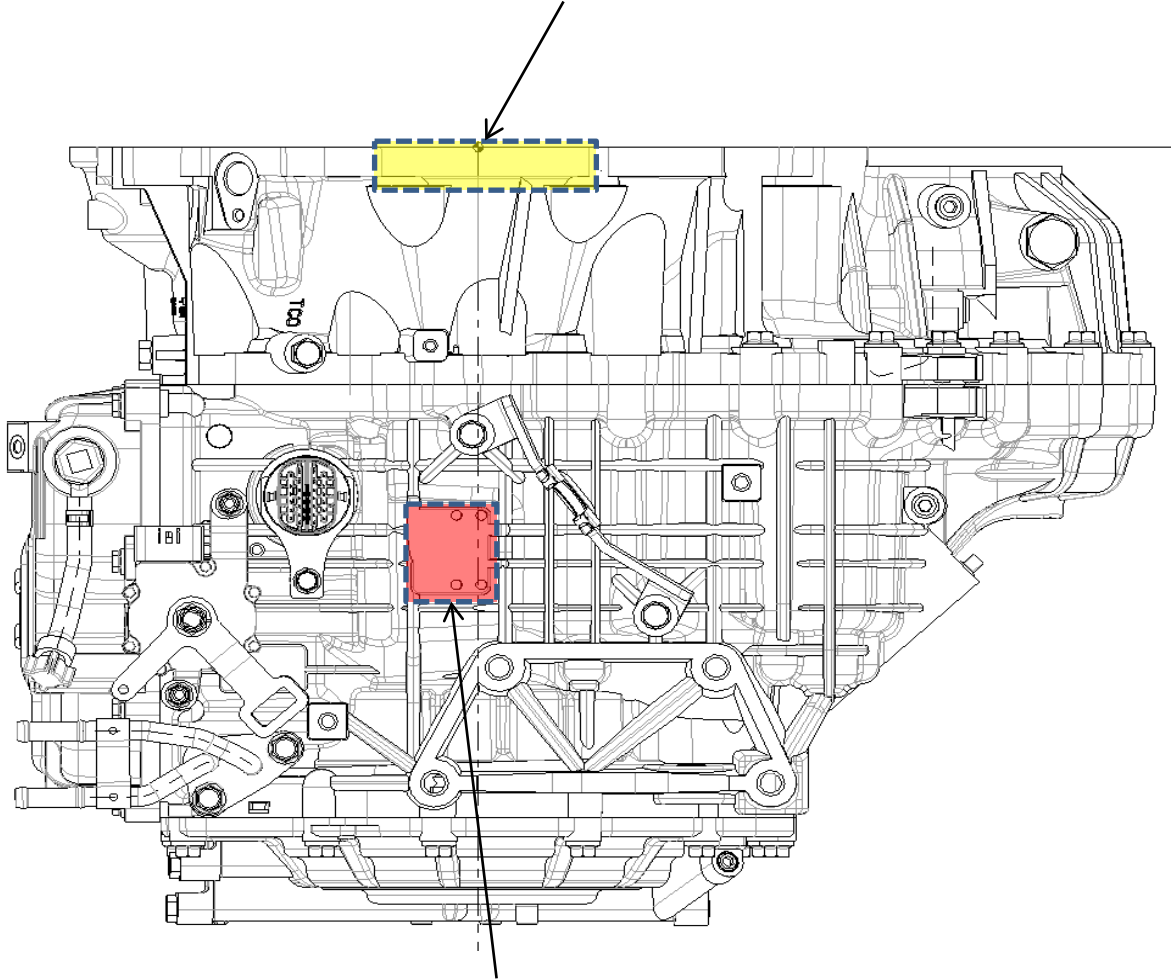
Originally Equipped Part



Replacement Part

Transmission (8AT)

TARGET AREA FOR REPLACEMENT PART



TARGET AREA FOR ORIGINALLY EQUIPPED PART



Originally Equipped Part



Replacement Part