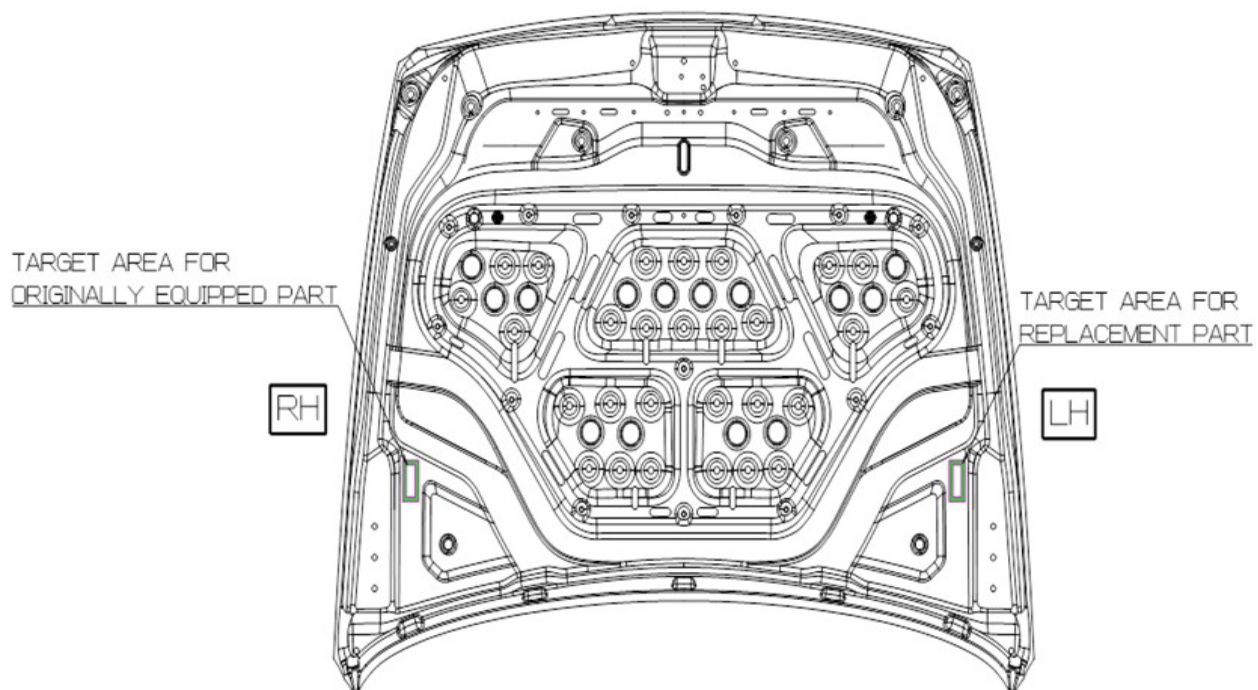


VIN marking area for GV80/GV80 Coupe model

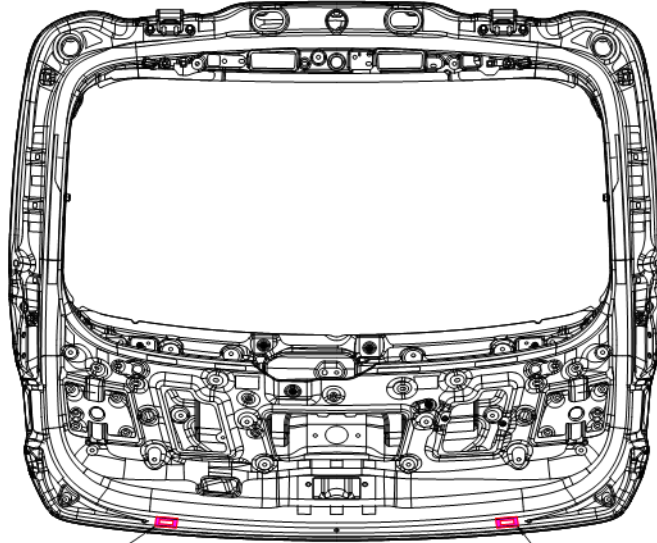
1. Hood
2. Tail Gate
3. Front Fender (LH/RH)
4. Front Door (LH/RH)
5. Rear Door (LH/RH)
6. Side Outer Panel (LH/RH)
7. Front Bumper
8. Rear Bumper
9. Engine (2.5 T-GDI, 3.5 T-GDI)
10. Transmission (AT)



Hood



Tail Gate

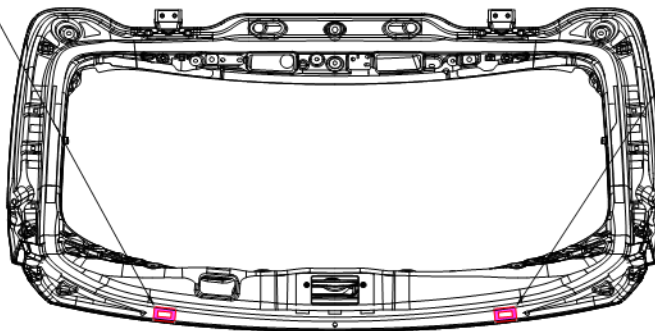


TARGET AREA FOR
ORIGINALLY
EQUIPPED PART(RH)

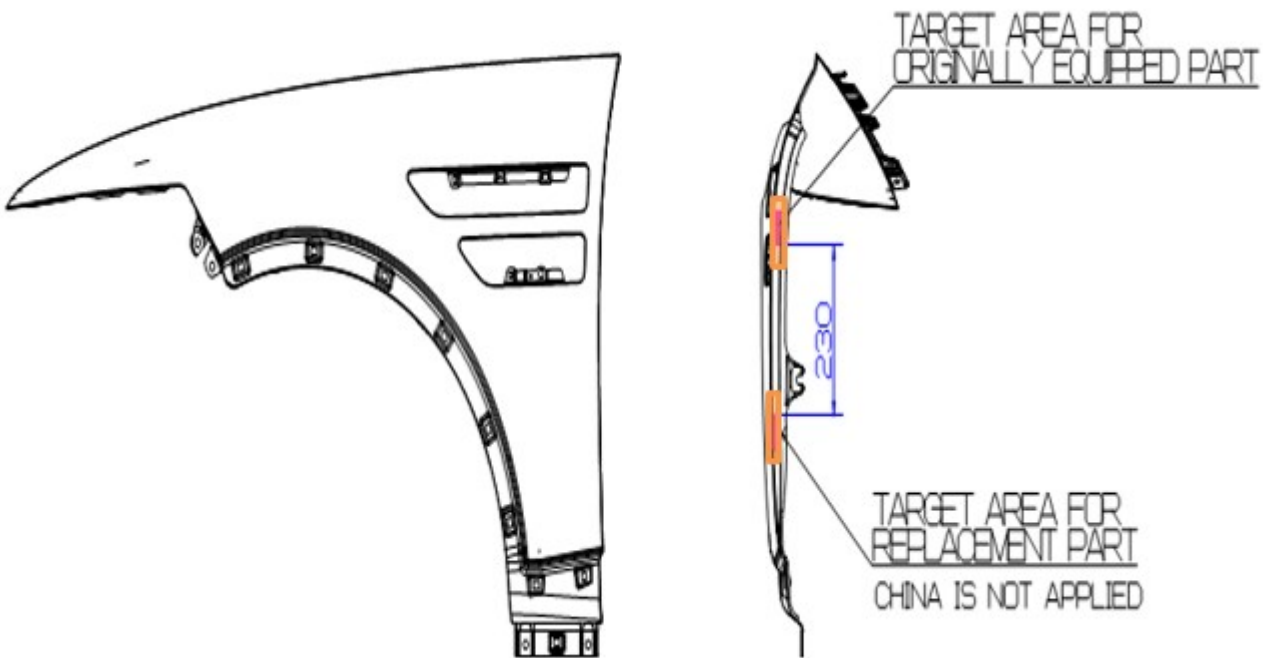
TARGET AREA FOR
REPLACEMENT
EQUIPPED PART(LH)

RH

LH



Front Fender (LH/RH)



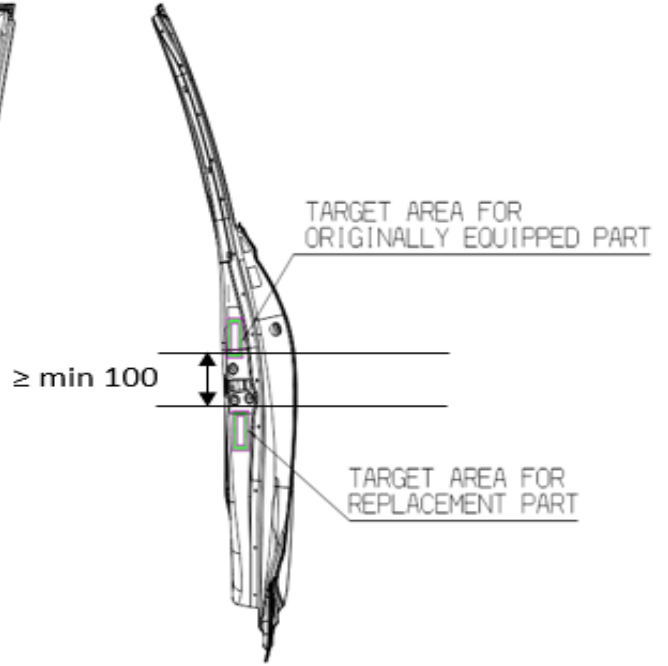
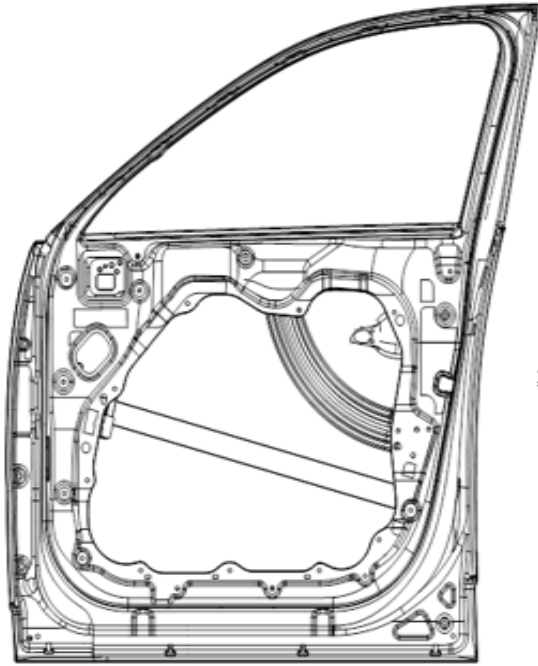
DETAIL Z

PNL ASSY-FENDER

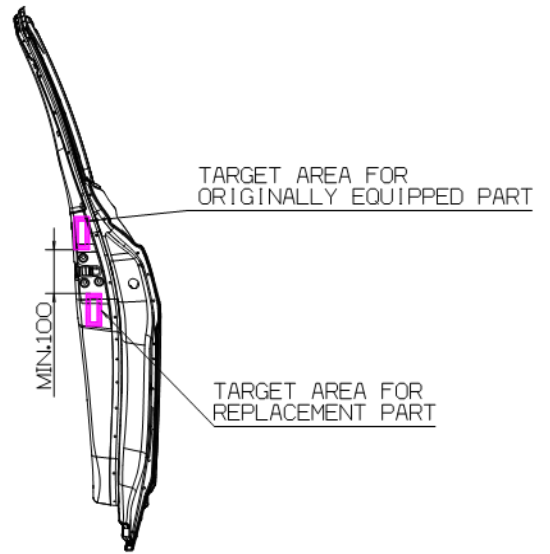
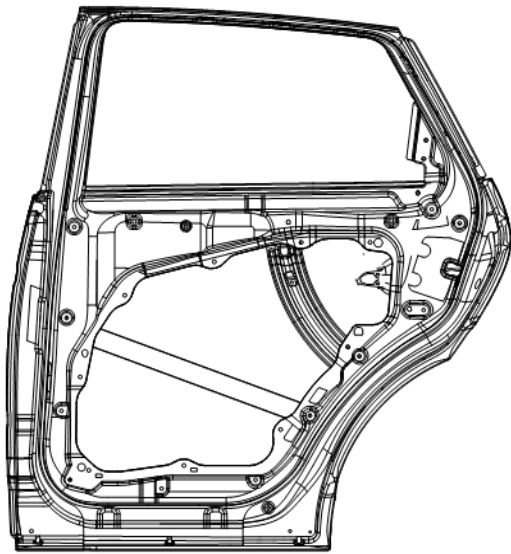
<APPLIED AREA>

- CHINA : PNL ASSY-FENDER, RH
- EXCEPT OF CHINA : PNL ASSY-FENDER, LH/RH

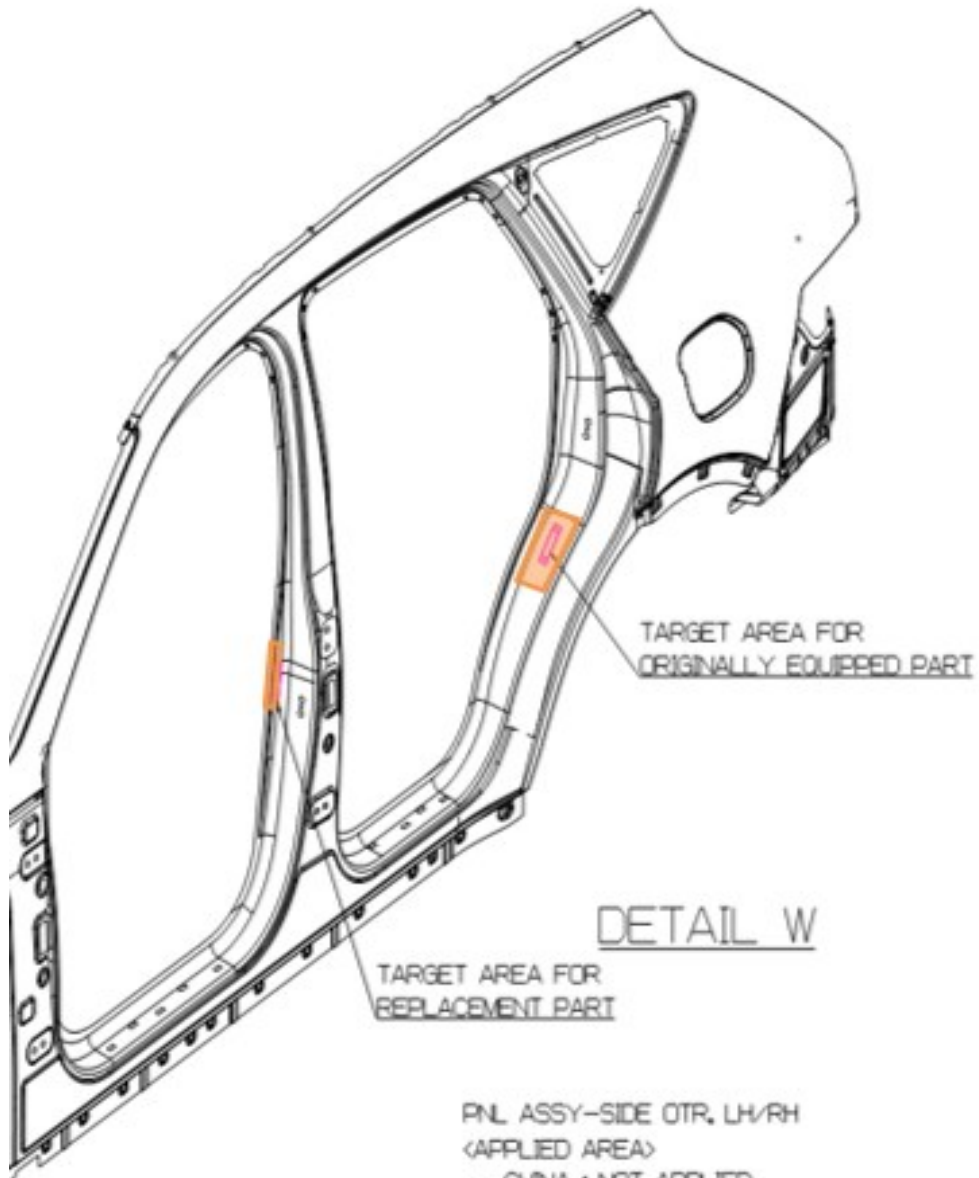
Front Door (LH/RH)



Rear Door (LH/RH)



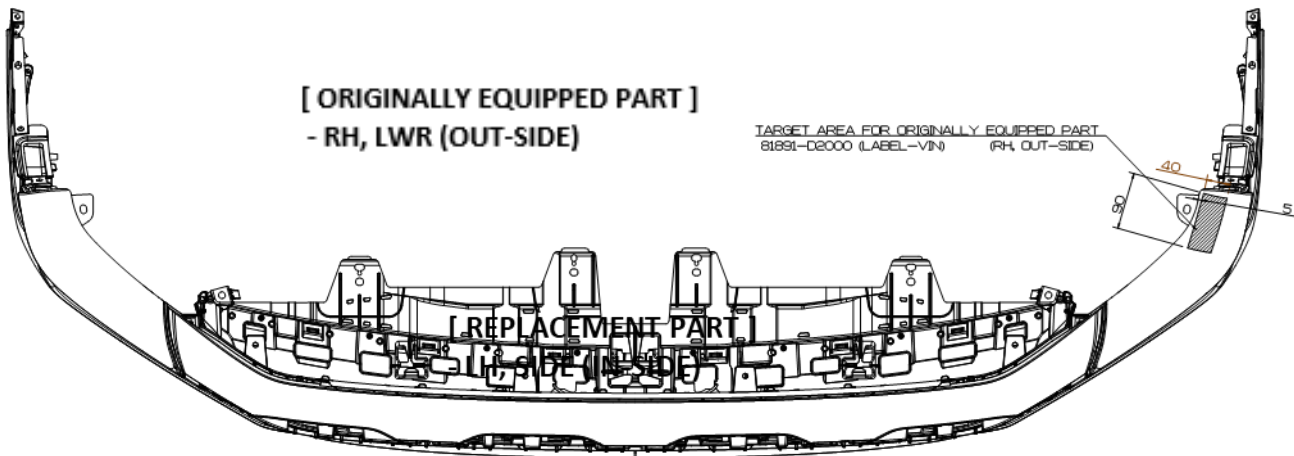
Side Outer Panel (LH/RH)



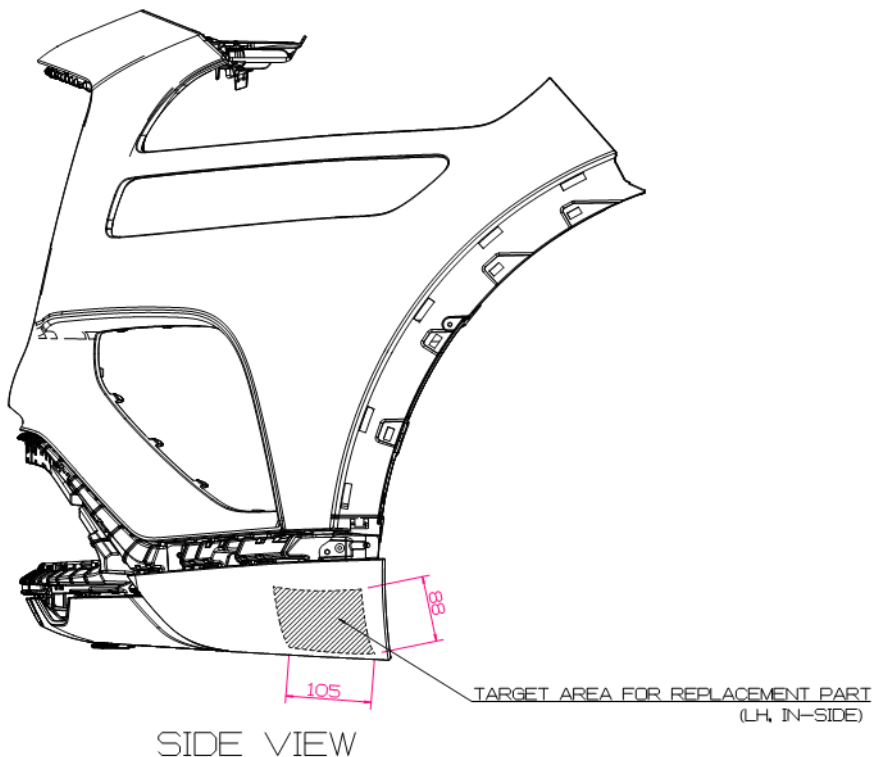
P.N.L. ASSY-SIDE OTR, LH/RH
<APPLIED AREA>

- CHINA : NOT APPLIED
- EXCEPT OF CHINA : P.N.L. ASSY-SIDE OTR, LH/RH

Front Bumper (GV80)



BOTTOM VIEW



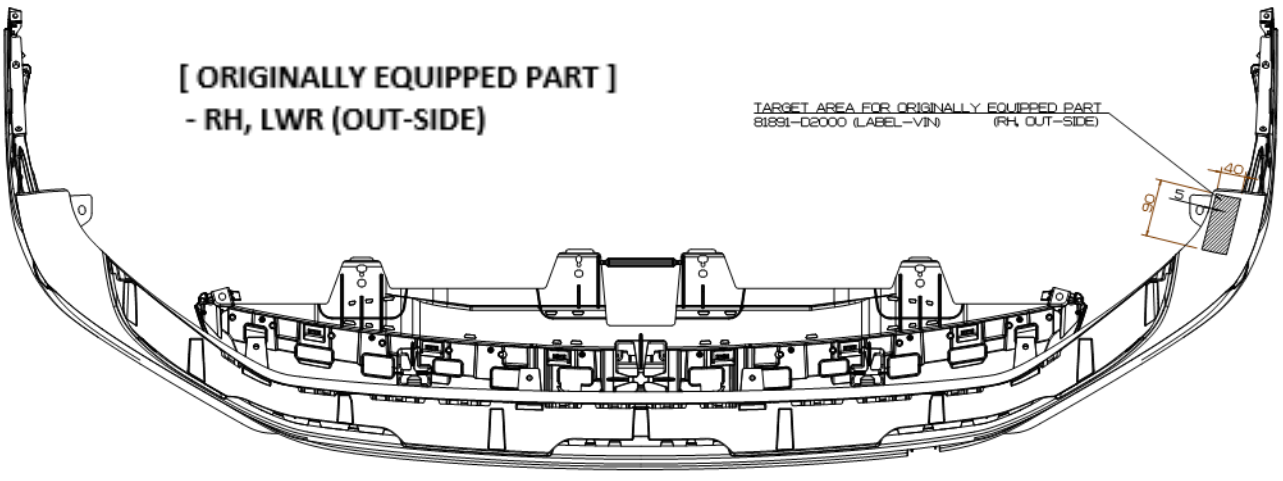
SIDE VIEW

[REPLACEMENT PART]
- LH, SIDE (IN-SIDE)

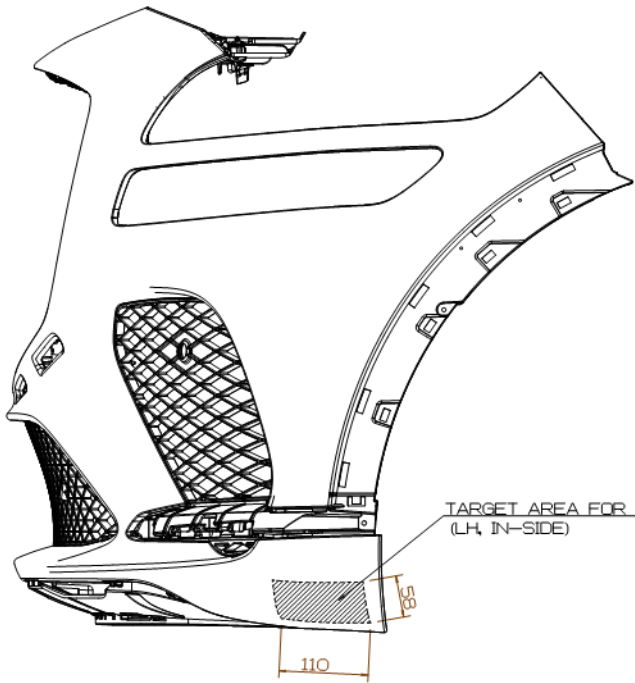
Front Bumper (GV80 Coupe)

[ORIGINALLY EQUIPPED PART]
- RH, LWR (OUT-SIDE)

TARGET AREA FOR ORIGINALLY EQUIPPED PART
81891-02000 (LABEL-VIN) (RH, OUT-SIDE)



BOTTOM VIEW

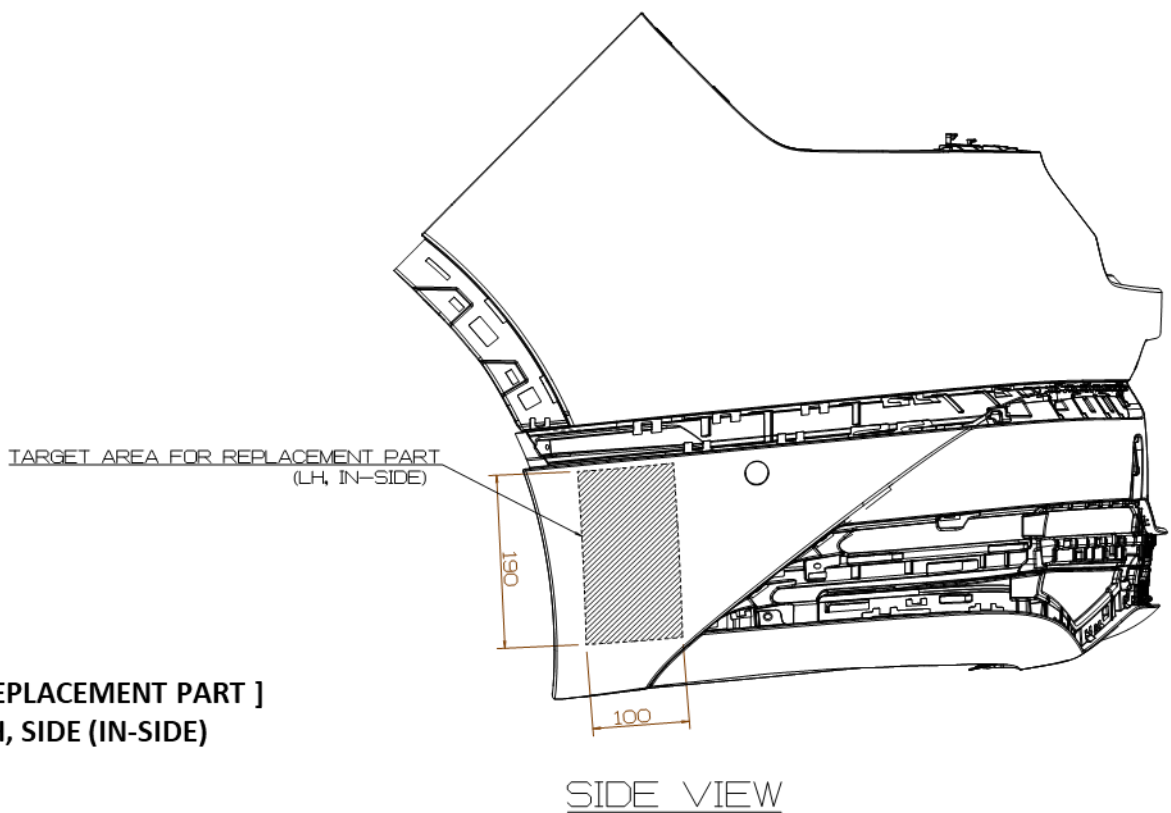
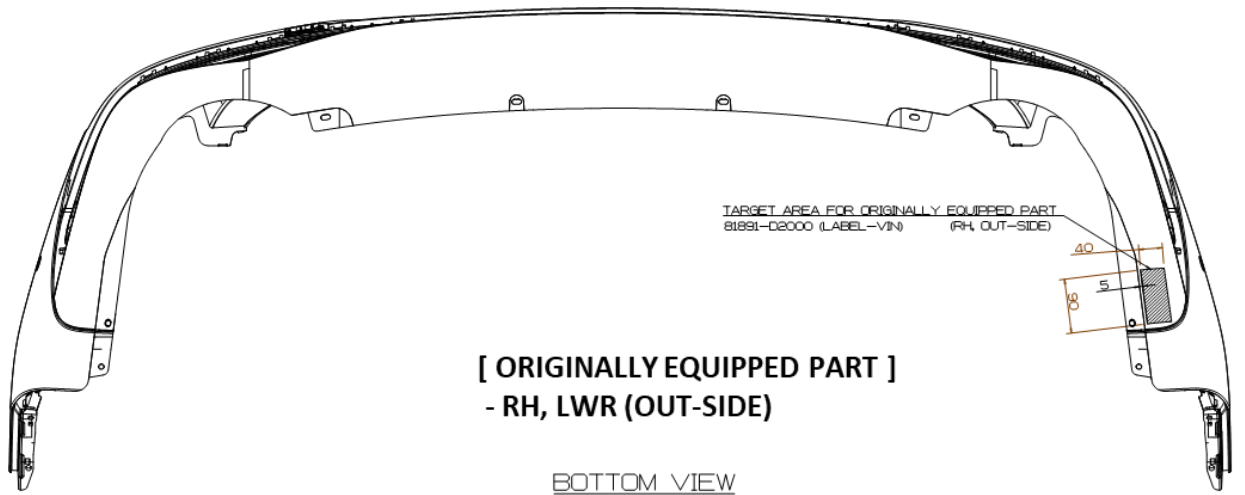


TARGET AREA FOR REPLACEMENT PART
(LH, IN-SIDE)

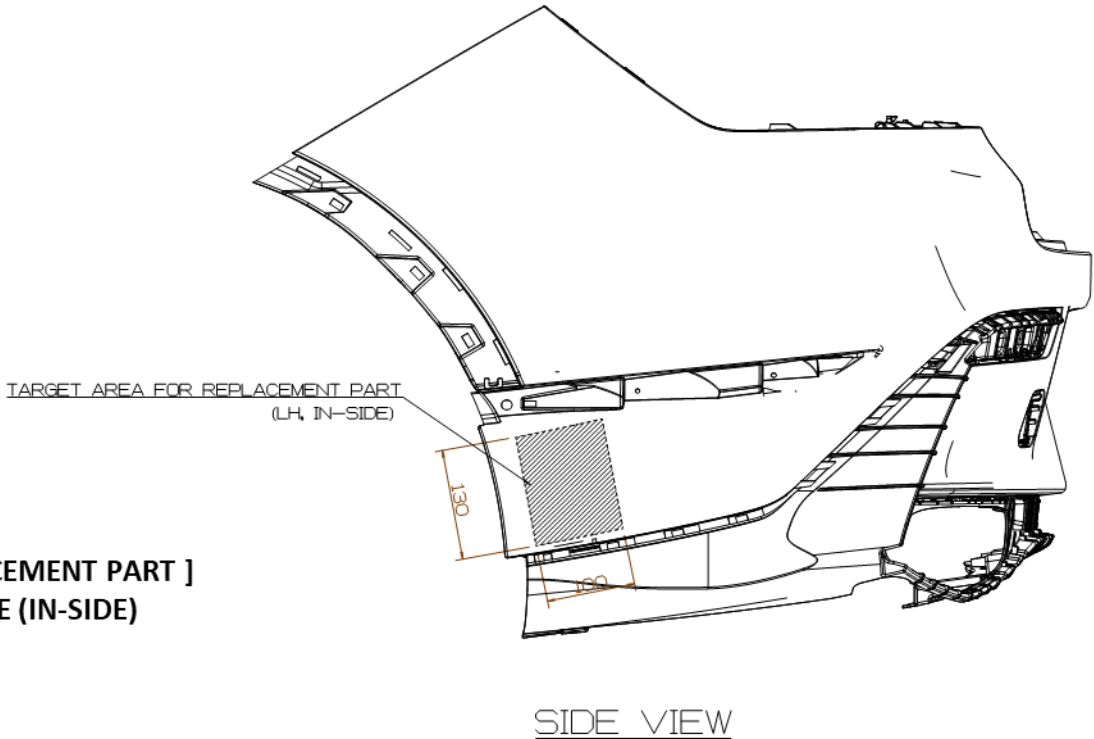
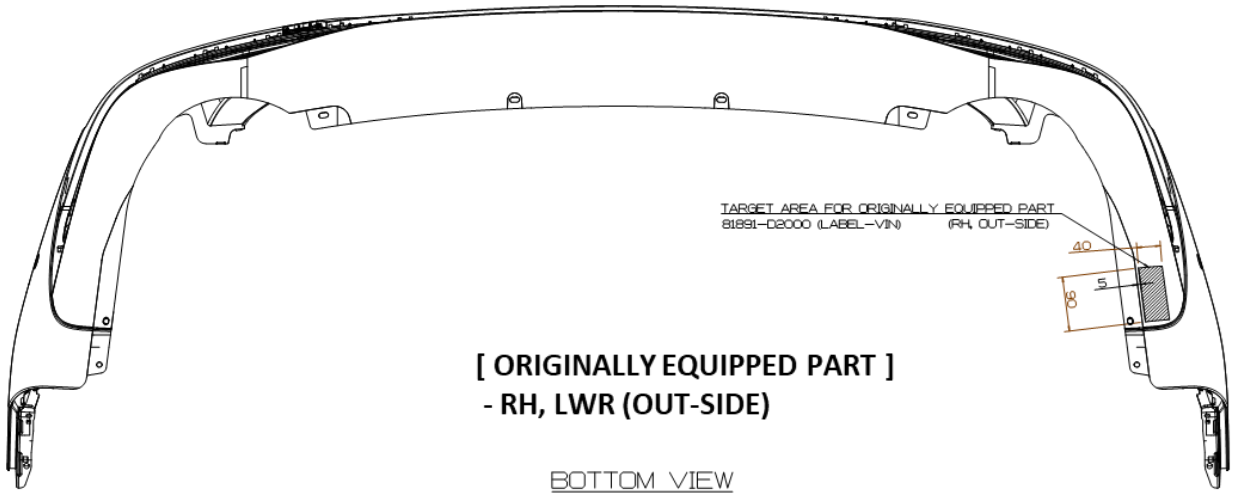
SIDE VIEW

[REPLACEMENT PART]
- LH, SIDE (IN-SIDE)

Rear Bumper (GV80)

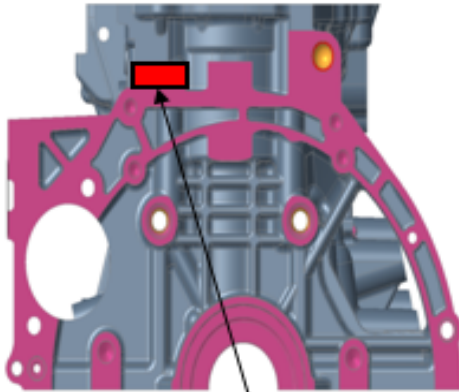


Rear Bumper (GV80 Coupe)



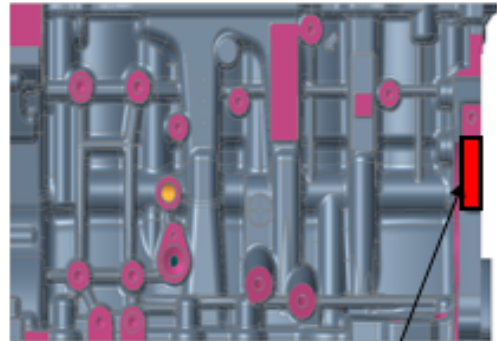
Engine (2.5 T-GDI)

REAR SIDE



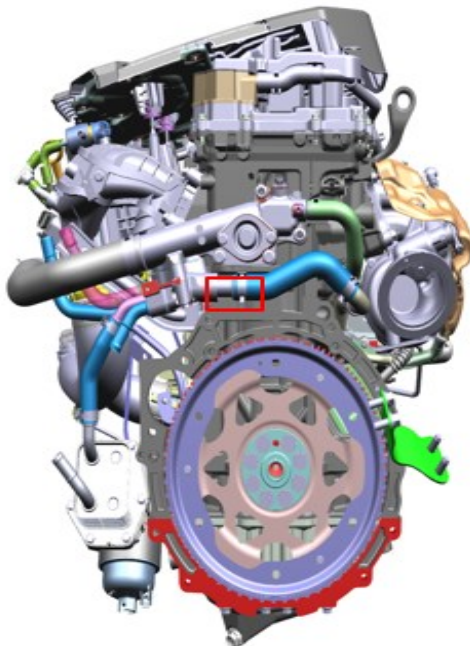
TARGET AREA FOR
REPLACEMENT PART
(R-DOT)

LEFT SIDE

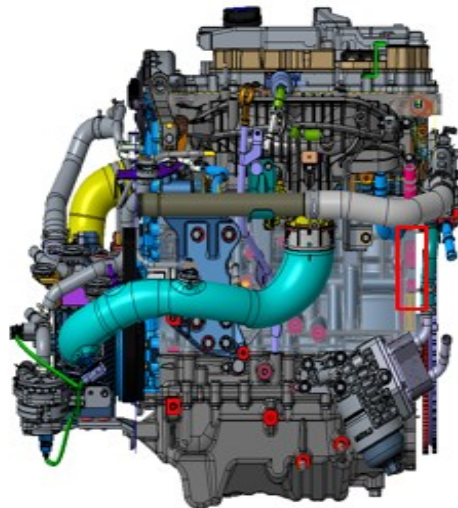


TARGET AREA FOR
ORIGINALLY EQUIPPED
PART
(VIN-PLATE)

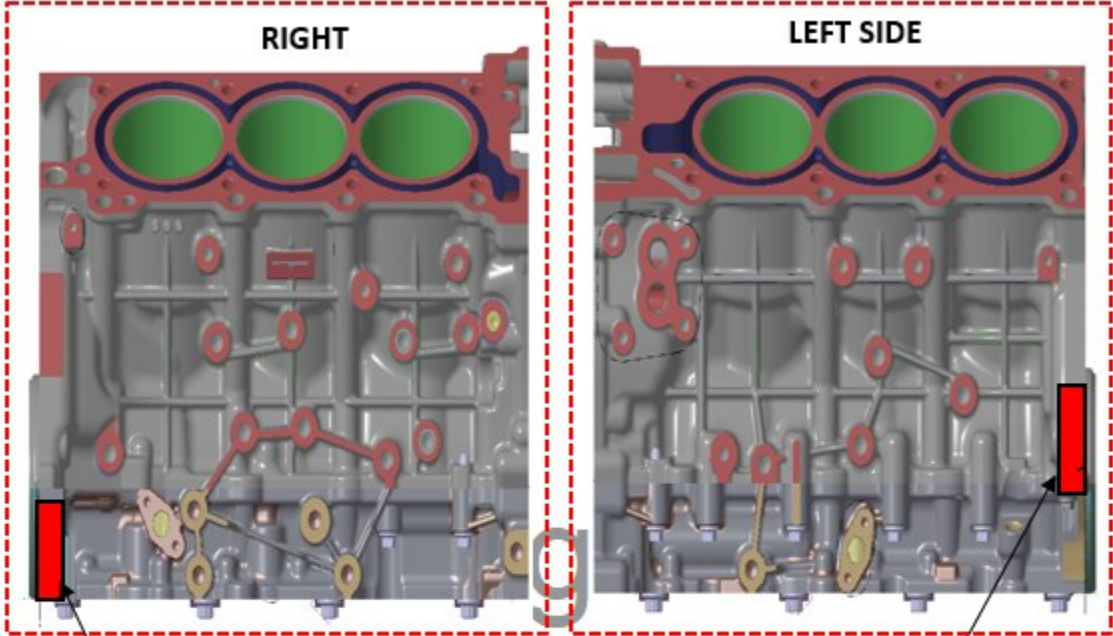
REAR SIDE



LEFT SIDE

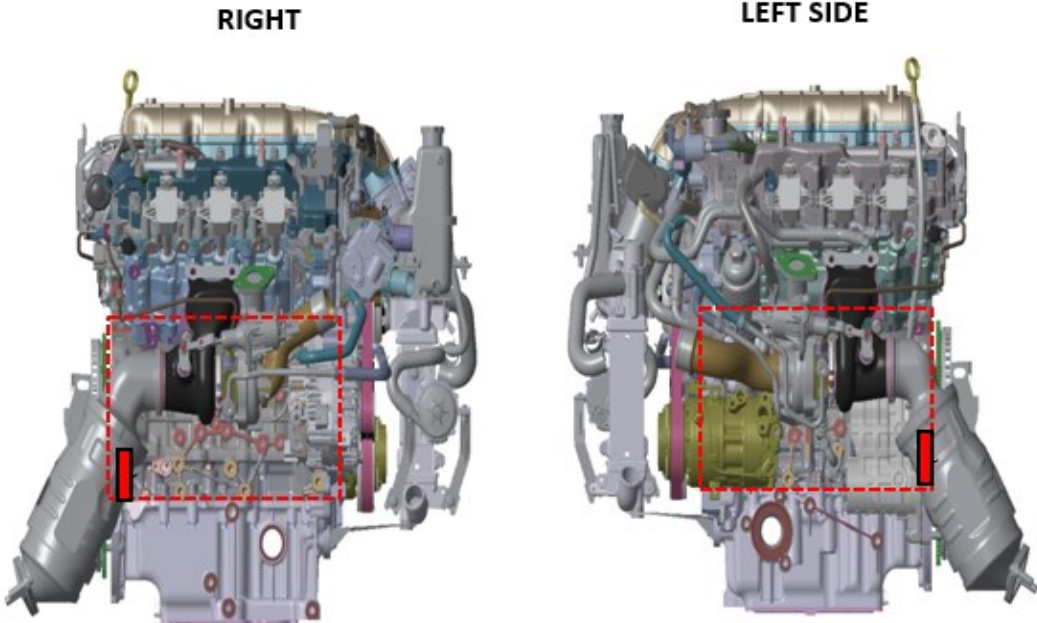


Engine (3.5L T-GDI)



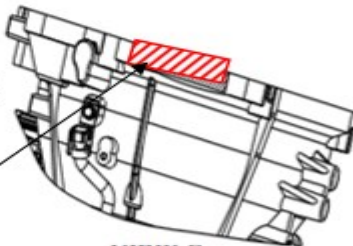
TARGET AREA FOR REPLACEMENT PART

TARGET AREA FOR ORIGINALLY EQUIPPED PART



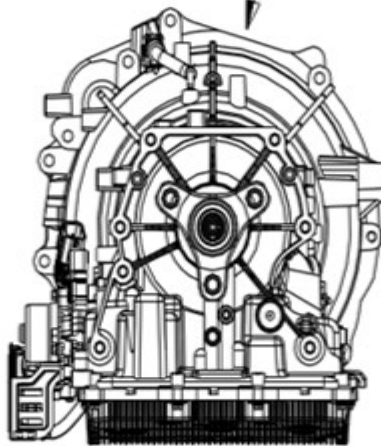
Transmission (Auto for THETA 2.5 Engine)

TARGET AREA FOR REPLACEMENT PART

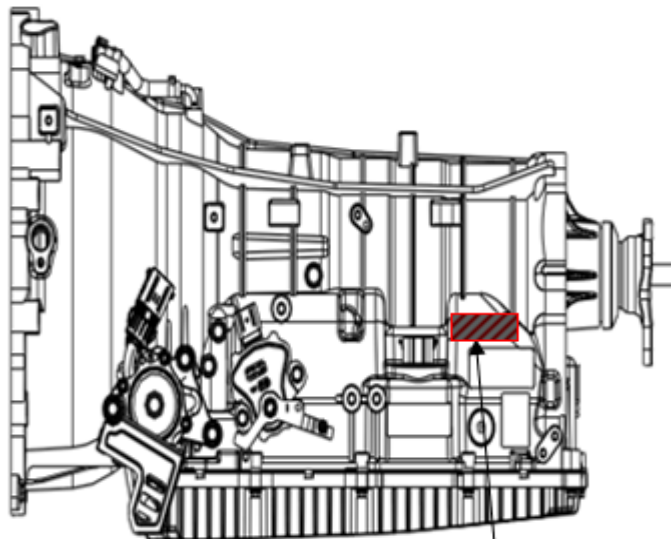


VIEW Z

VIEW Z



BACK VIEW

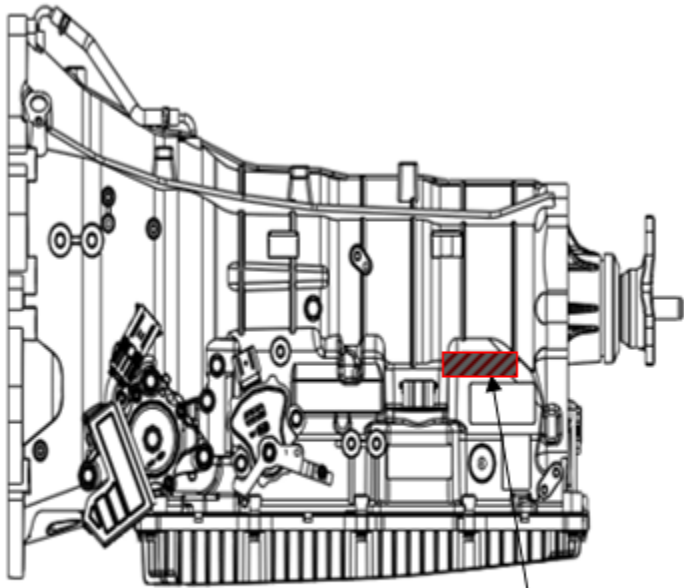
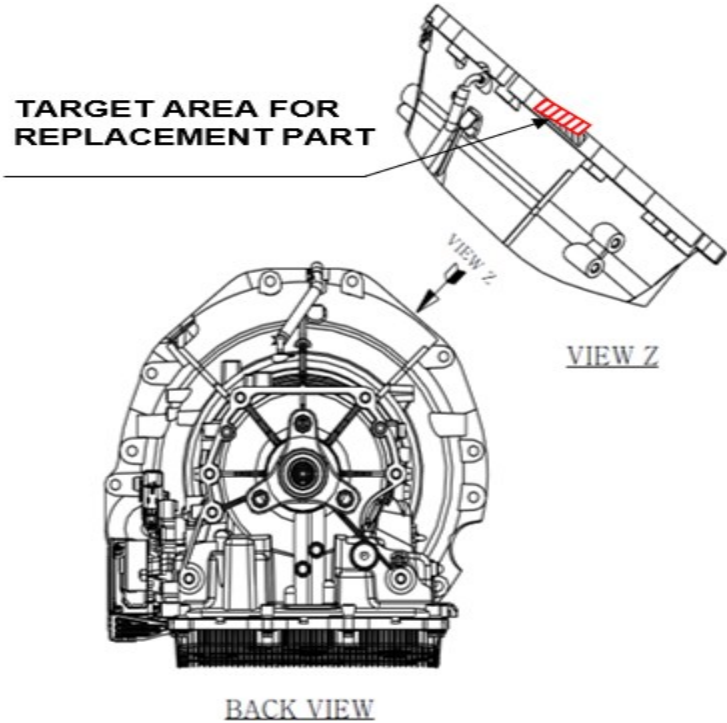


LH VIEW

TARGET AREA FOR ORIGINALLY EQUIPPED PART

Transmission (Auto for LAMBDA 3.5T Engine)

TARGET AREA FOR REPLACEMENT PART



LH VIEW

TARGET AREA FOR ORIGINALLY EQUIPPED PART