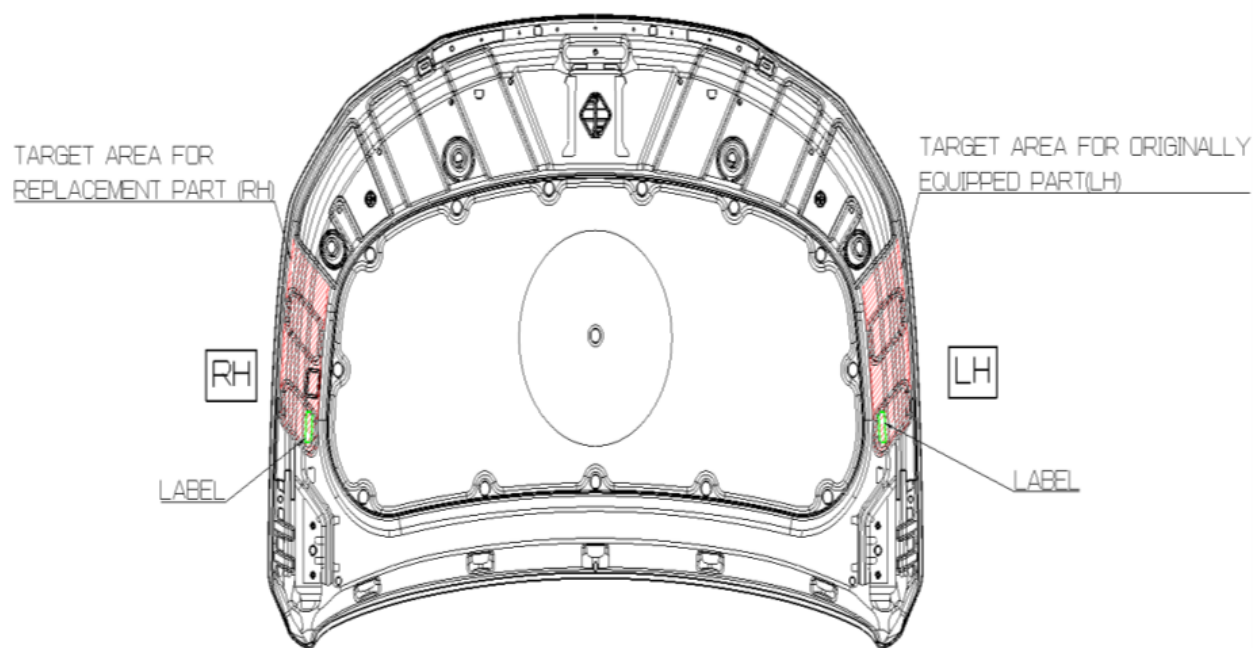


VIN marking area for Sorento model

1. Hood
2. Tail Gate
3. Front Fender (LH/RH)
4. Front Door (LH/RH)
5. Rear Door (LH/RH)
6. Side Outer Panel (LH/RH)
7. Front Bumper
8. Rear Bumper
9. Engine
10. Transmission (AT/DCT)



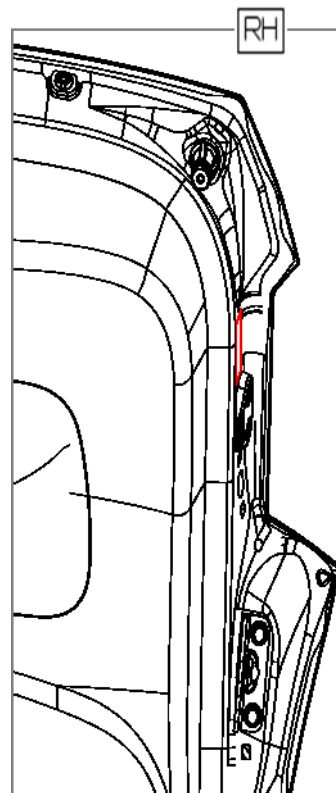
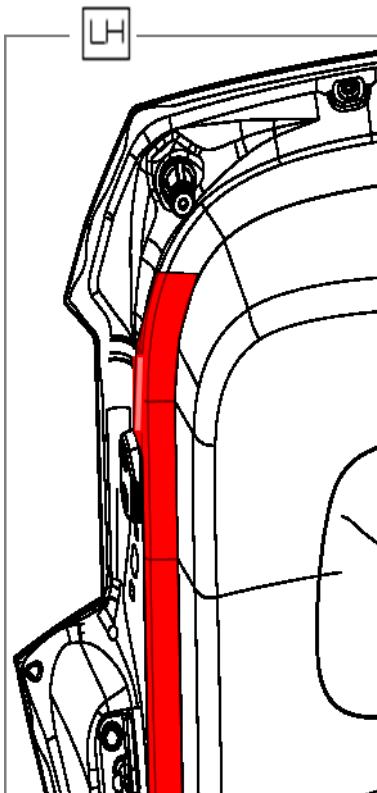
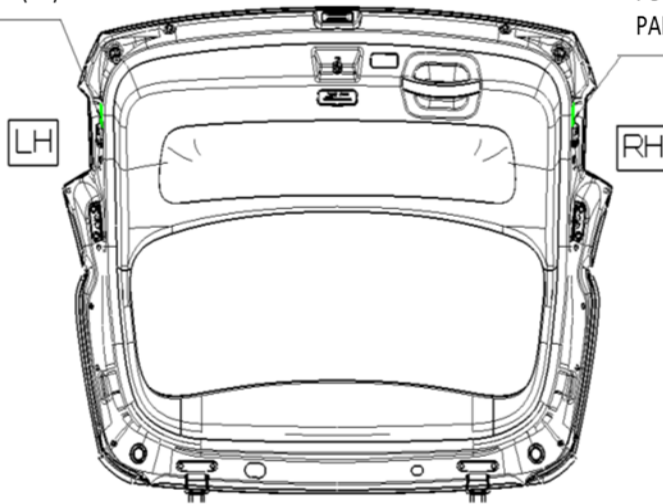
Hood



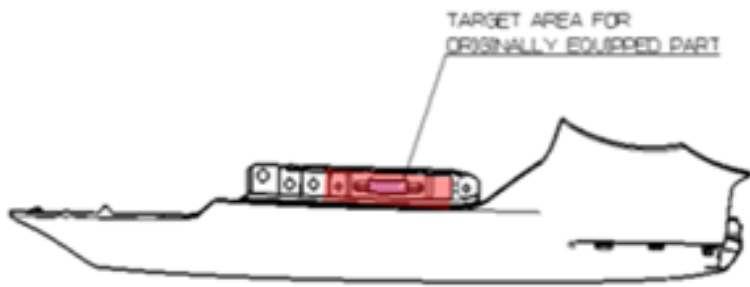
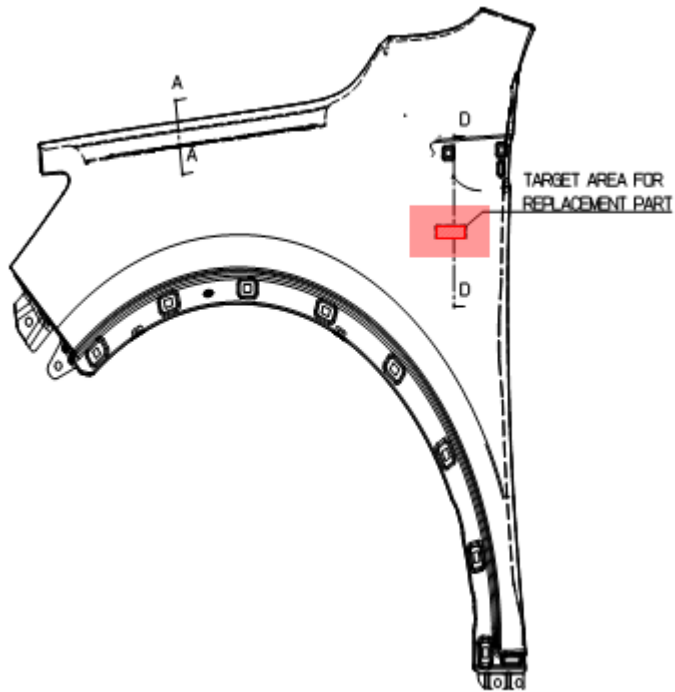
Tail Gate

TARGET AREA
FOR ORIGINALLY
EQUIPPED PART (LH)

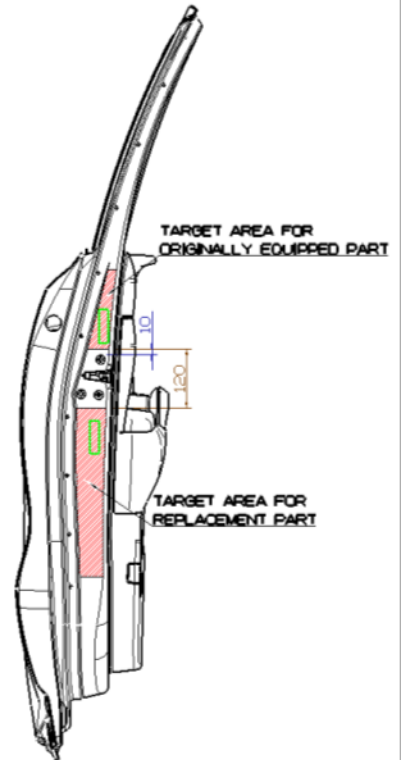
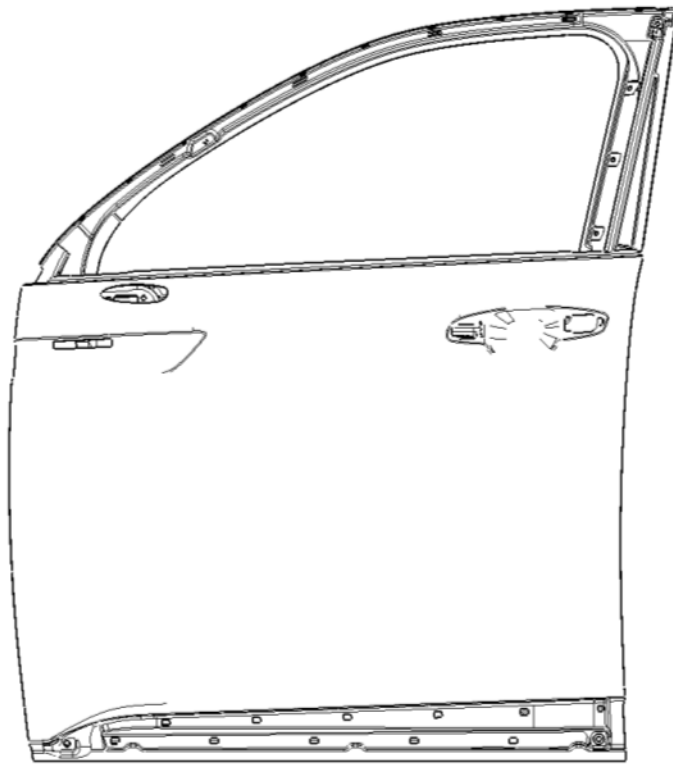
TARGET AREA
FOR REPLACEMENT
PART (RH)



Front Fender (LH/RH)

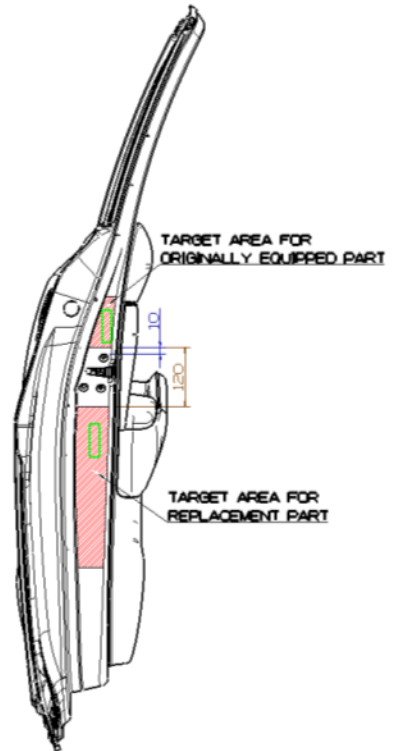
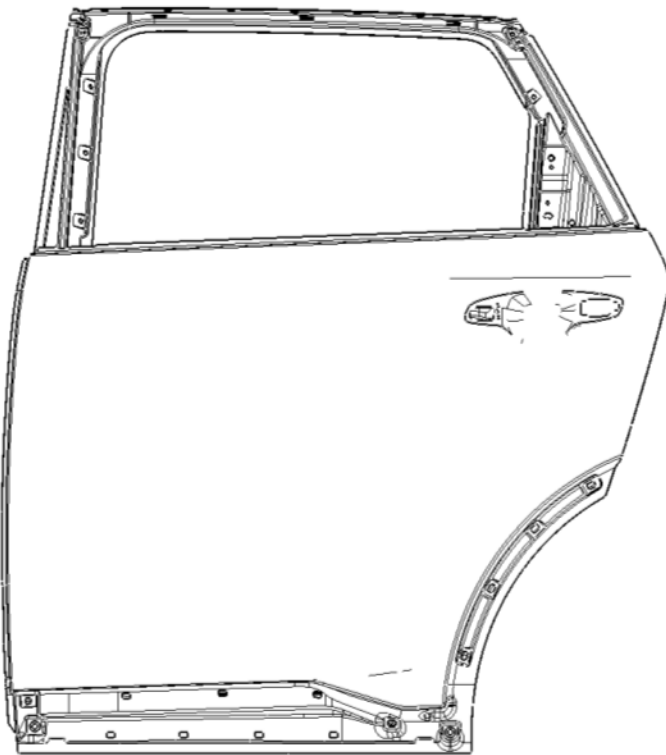


Front Door (LH/RH)



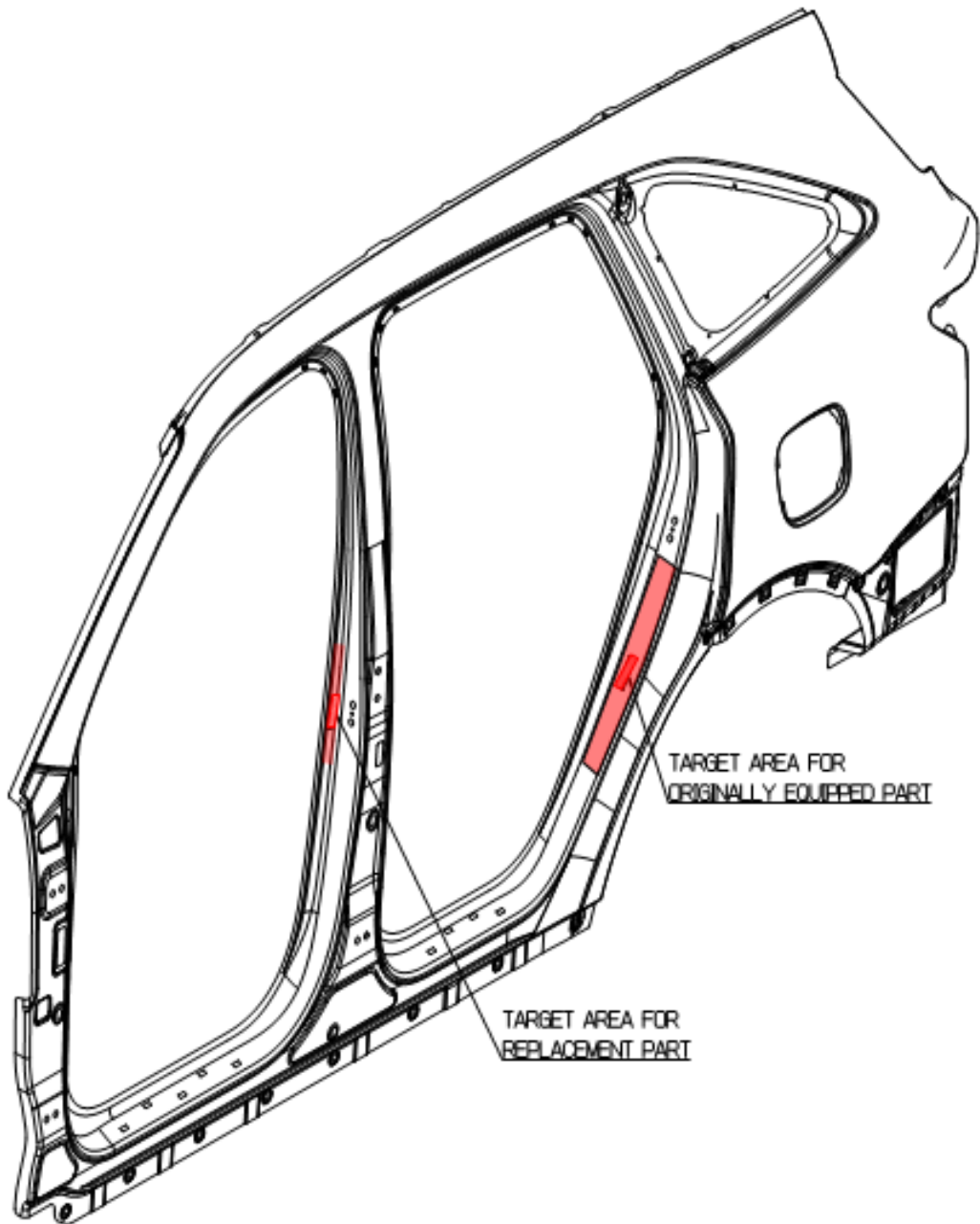
VIEW W

Rear Door (LH/RH)



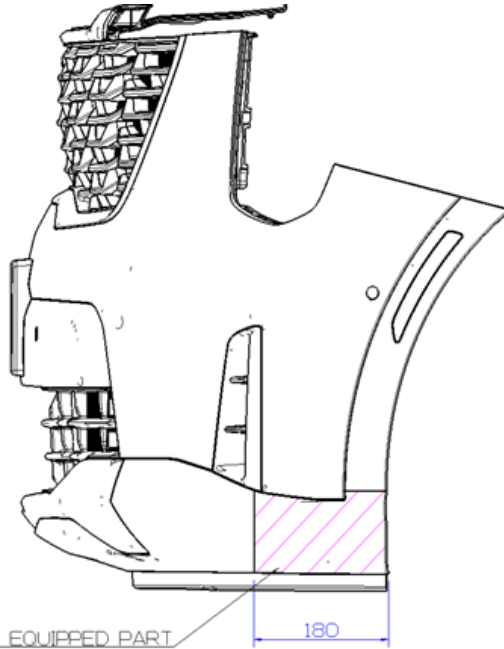
VIEW V

Side Outer Panel (LH/RH)



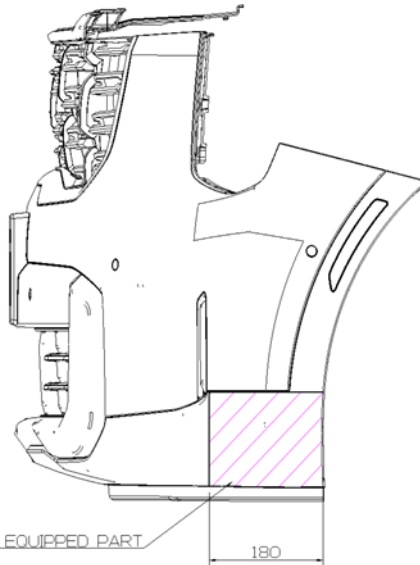
Front Bumper

Standard Model



LABEL FOR ORIGINALLY EQUIPPED PART
(LH, INSIDE)
LABEL FOR REPLACEMENT PART
(RH, INSIDE)

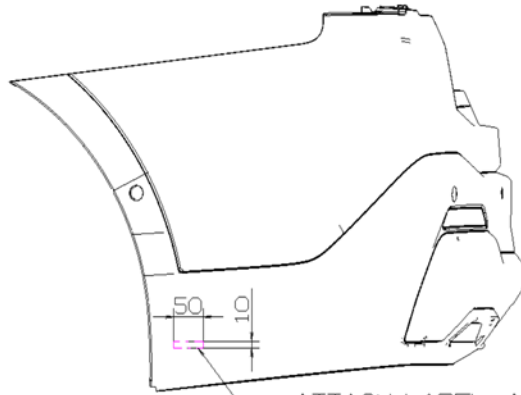
X-LINE Model



LABEL FOR ORIGINALLY EQUIPPED PART
(LH, INSIDE)
LABEL FOR REPLACEMENT PART
(RH, INSIDE)

Rear Bumper

Standard Model

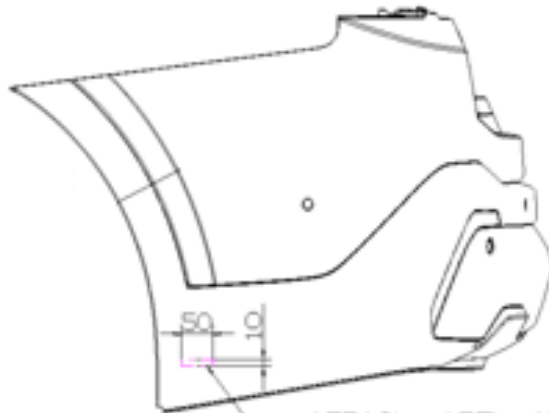


ATTACH LABEL - ANTITHEFT

LH INSIDE : FOR ORIGINALLY EQUIPPED PART

RH INSIDE : FOR REPLACEMENT PART

X-LINE Model

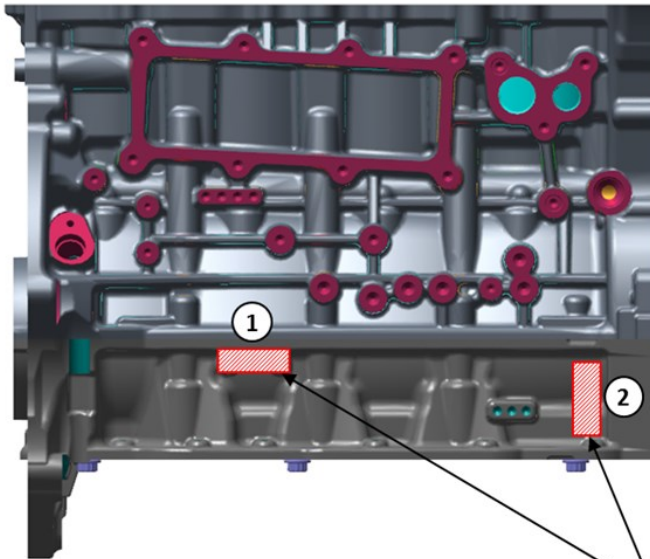


ATTACH LABEL - ANTITHEFT

LH INSIDE : FOR ORIGINALLY EQUIPPED PART

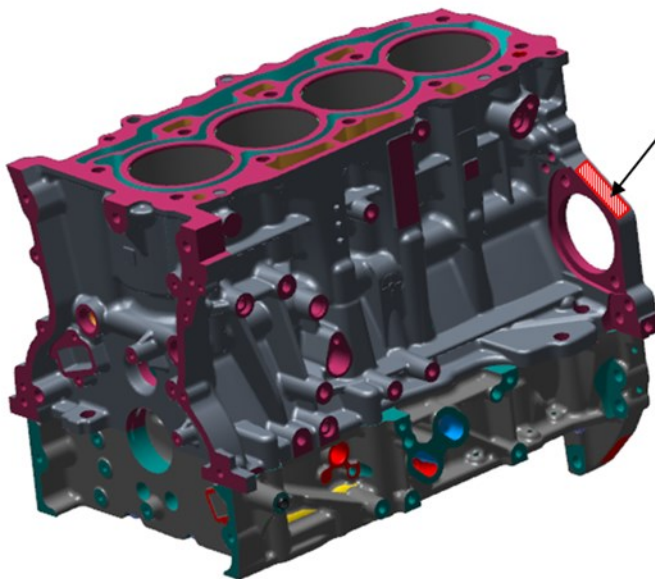
RH INSIDE : FOR REPLACEMENT PART

Engine (2.5 GDI/T-GDI)



TARGET AREA FOR
ORIGINALLY EQUIPPED PART

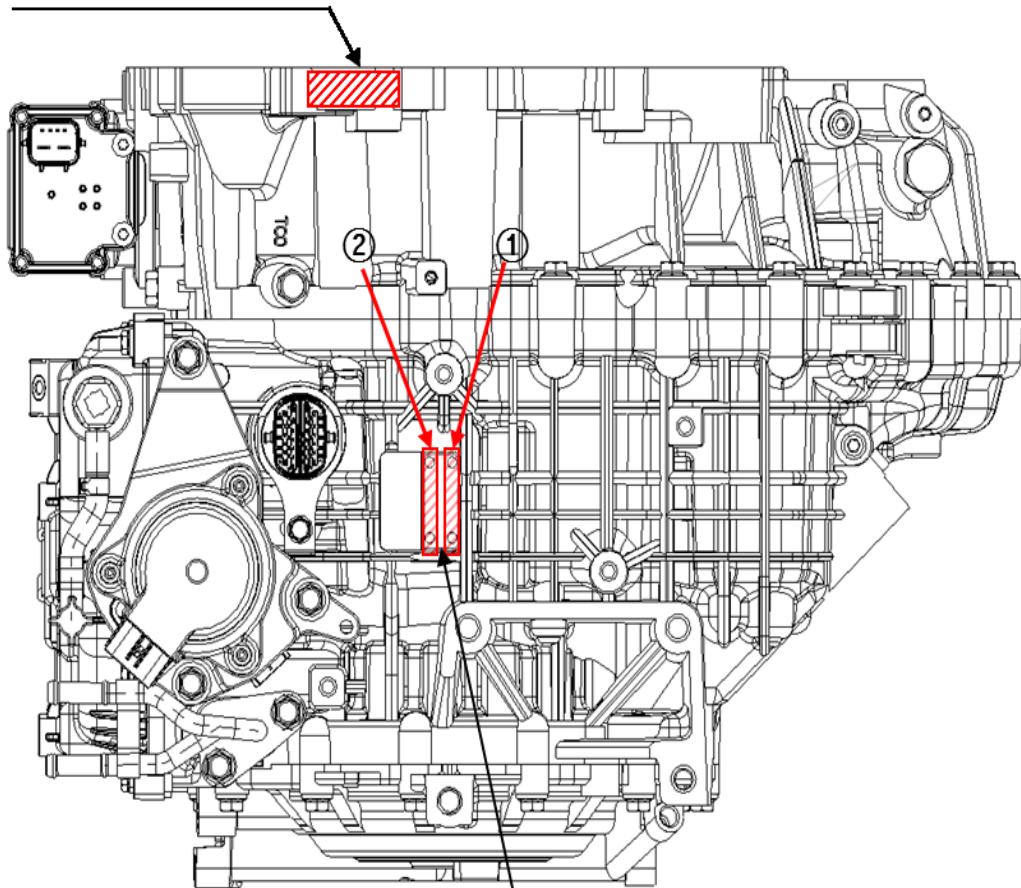
※ VIN plate for originally equipped part will be attached to either ① or ②.



TARGET AREA FOR
REPLACEMENT PART

Transmission (Automatic)

**TARGET AREA FOR
REPLACEMENT PART**

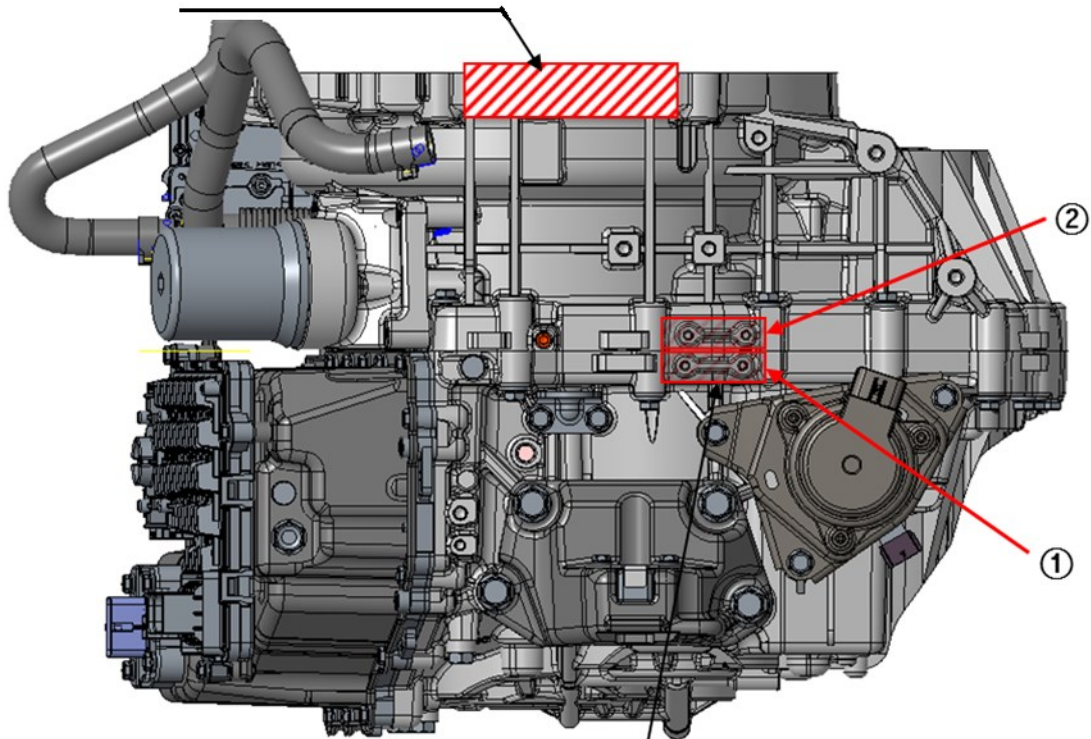


**TARGET AREA FOR
ORIGINALLY EQUIPPED PART**

**※ VIN plate for originally equipped part
will be attached to either ① or ②.**

Transmission (DCT)

**TARGET AREA FOR
REPLACEMENT PART**



**TARGET AREA FOR
ORIGINALLY EQUIPPED PART**

**※ VIN plate for originally equipped part
will be attached to either ① or ②.**