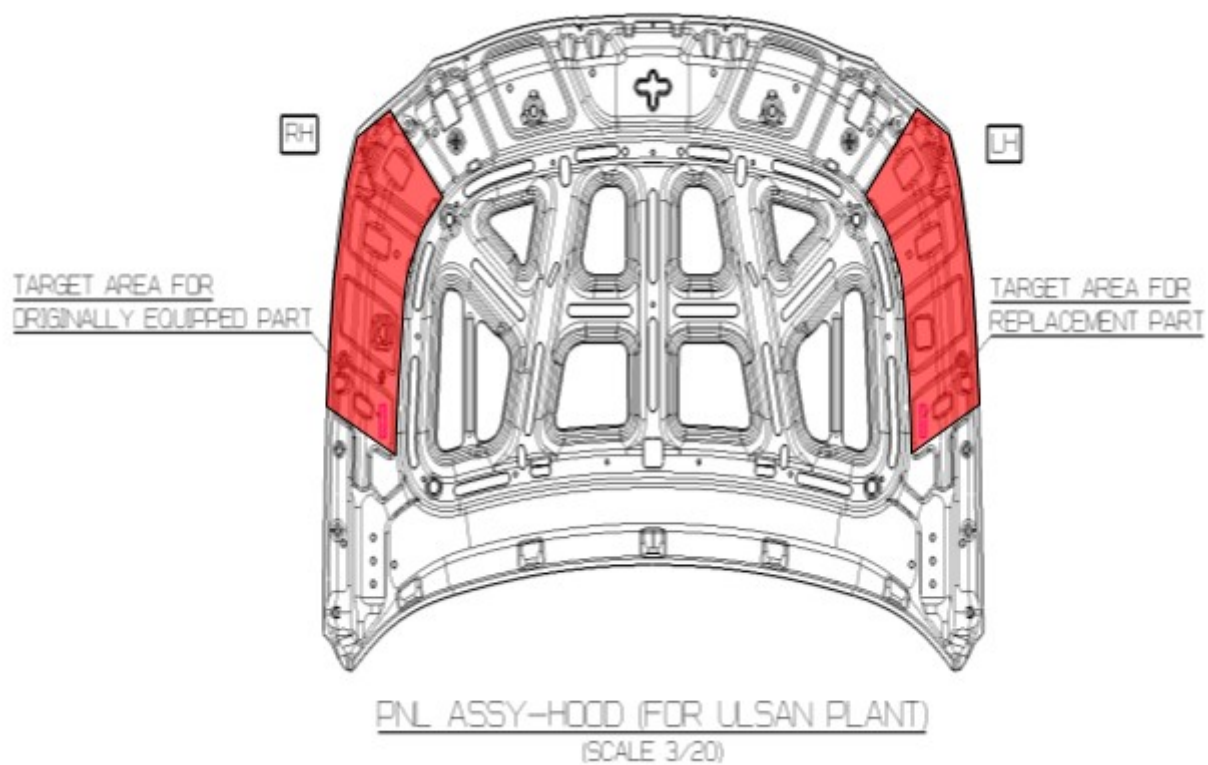


## **VIN marking area for Elantra N model**

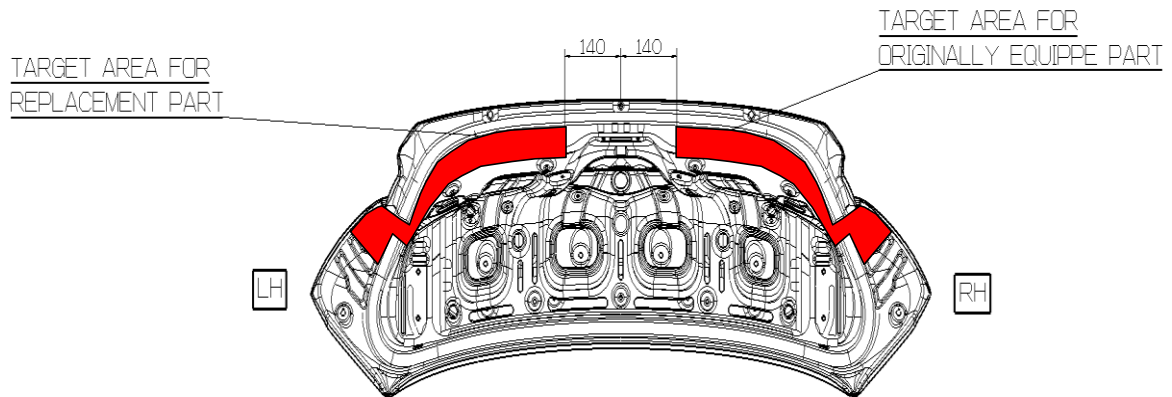
1. Hood
2. Trunk Lid
3. Front Fender (LH/RH)
4. Front Door (LH/RH)
5. Rear Door (LH/RH)
6. Side Outer Panel (LH/RH)
7. Front Bumper
8. Rear Bumper
9. Engine
10. Transmission



# Hood

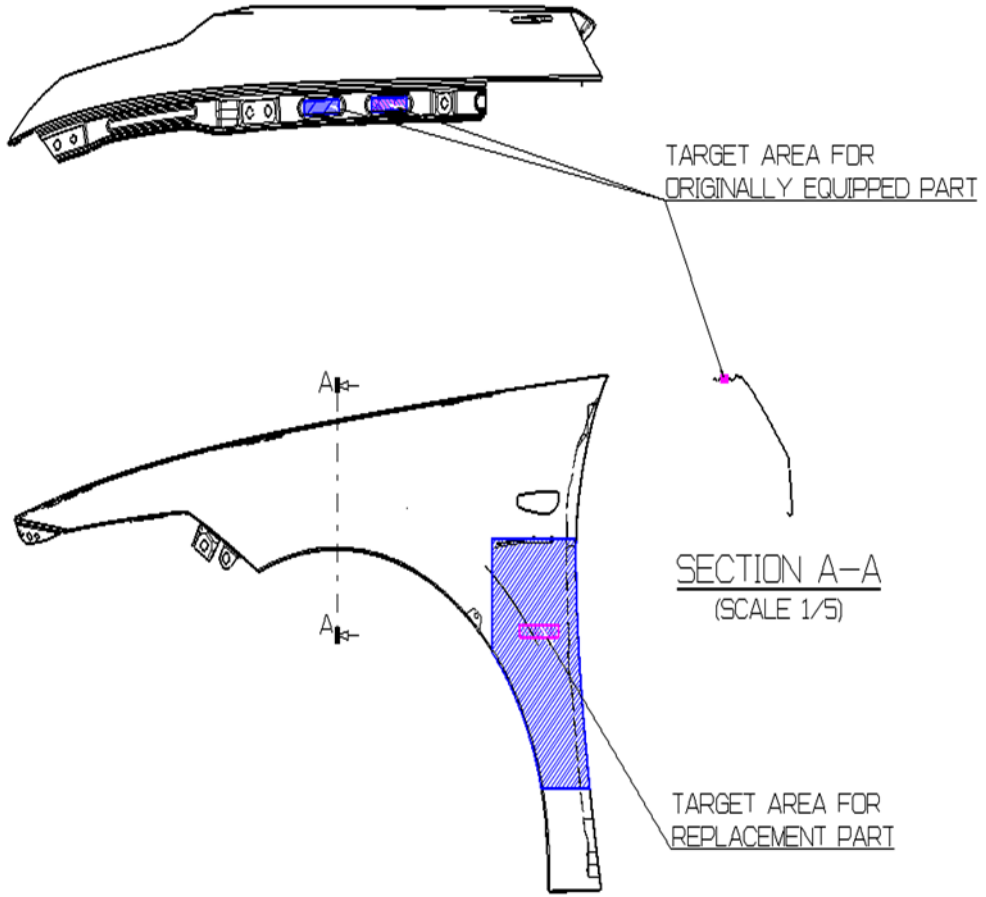


# Trunk Lid



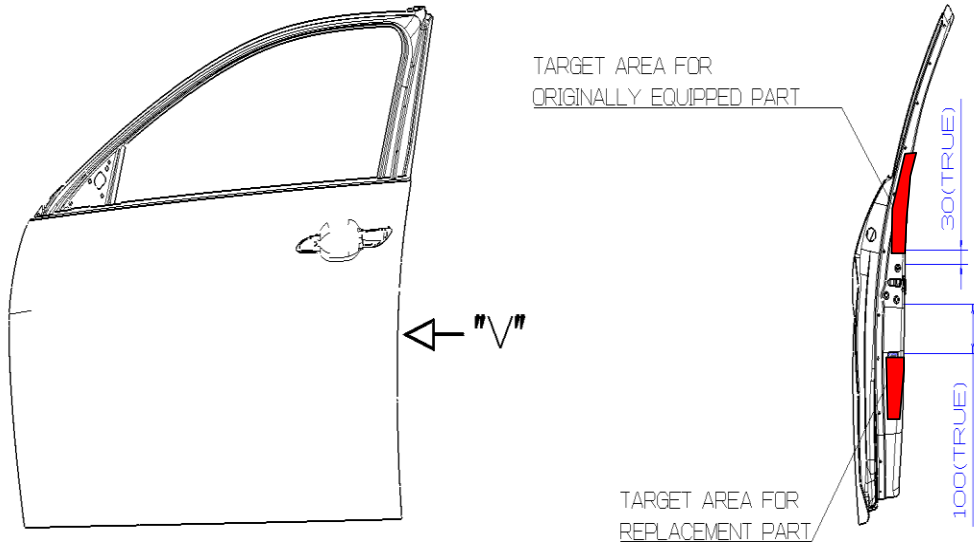
PNL ASSY-TRUNK LID  
(SCALE 3/20)

# Front Fender (LH/RH)



PNL-FENDER, LH/RH  
(SCALE 1/5)

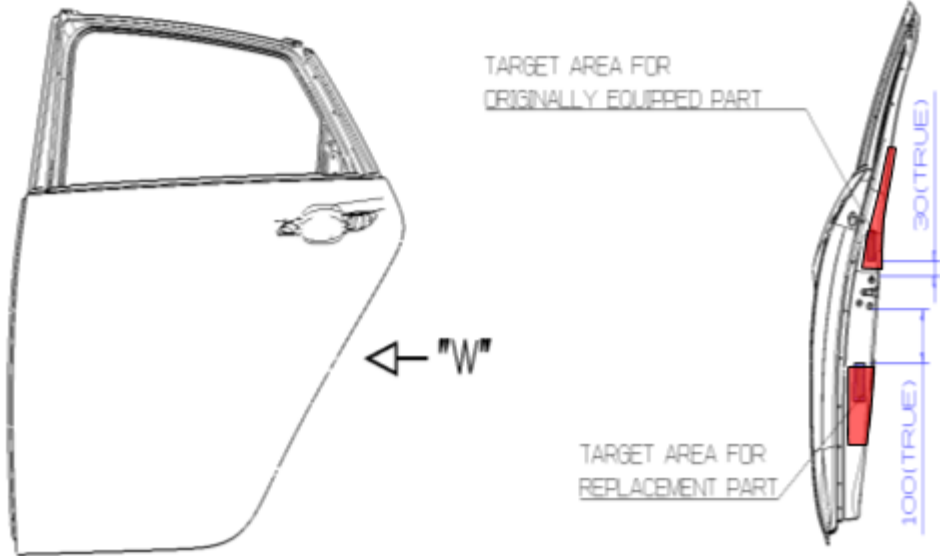
# Front Door (LH/RH)



PNL ASSY-FR DR, LH/RH  
(SCALE 1/10)

DETAIL "V"  
(REAR VIEW)

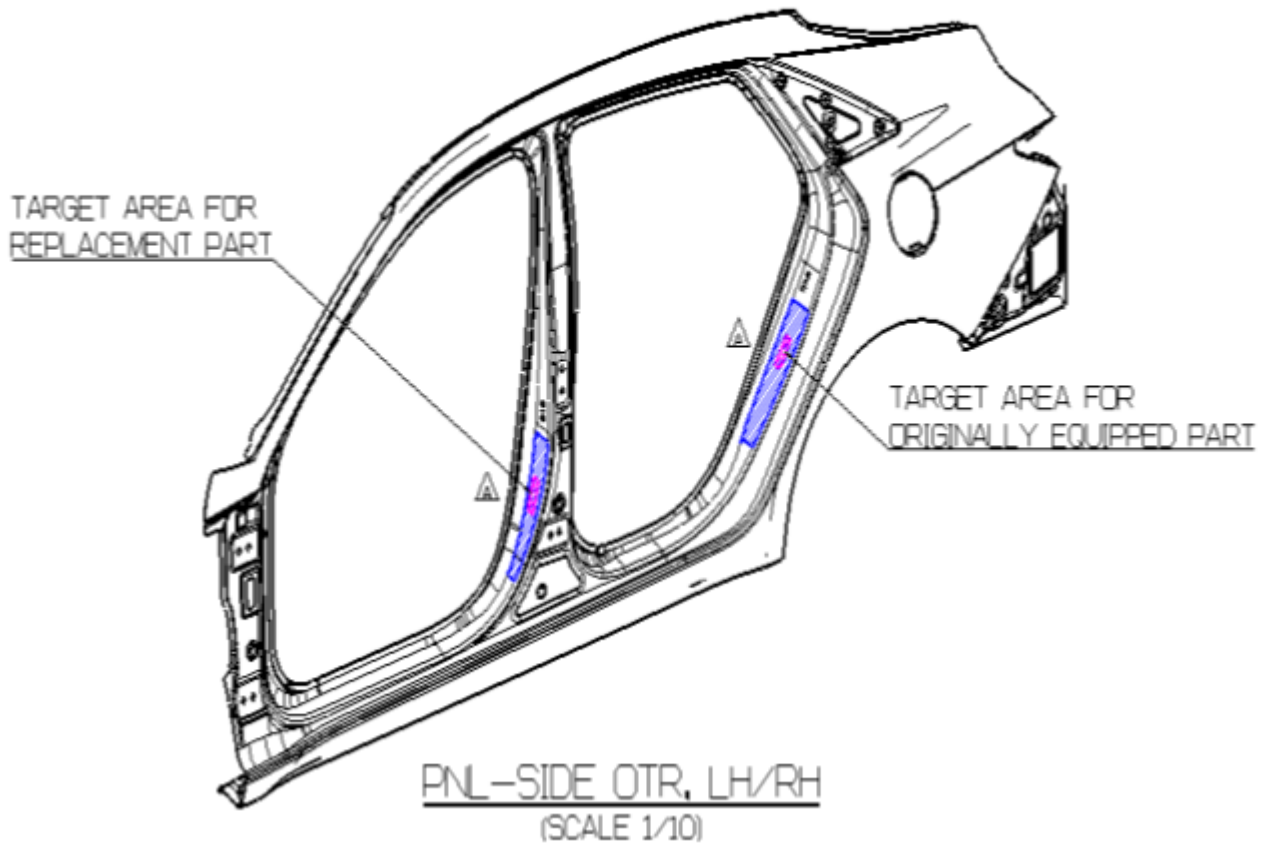
# Rear Door (LH/RH)



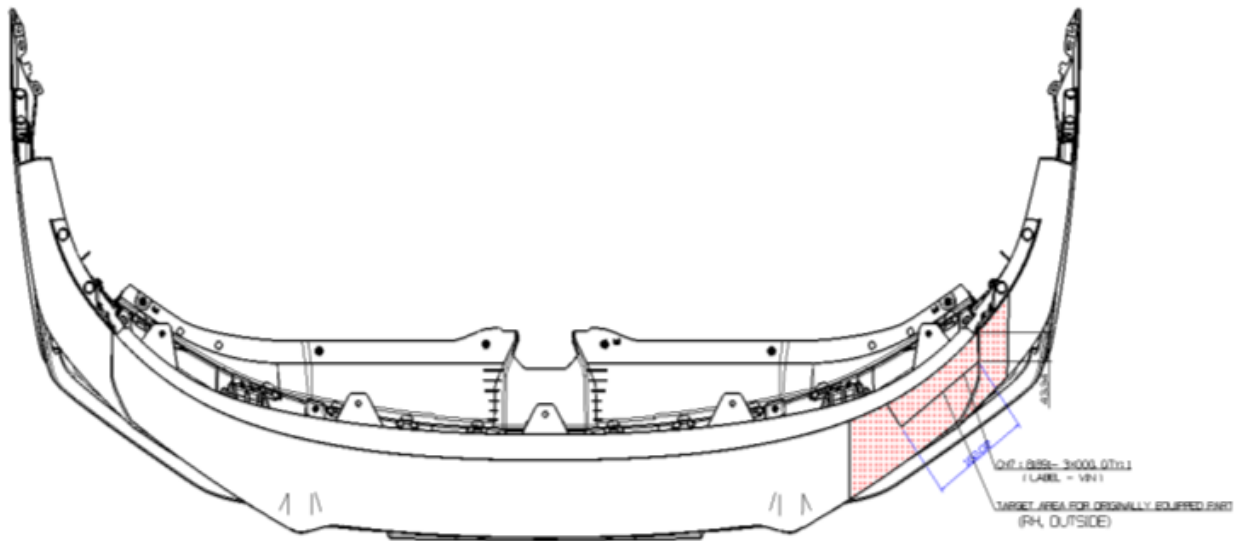
PNL ASSY-RR DR, LH/RH  
(SCALE 1/10)

DETAIL "W"  
(REAR VIEW)

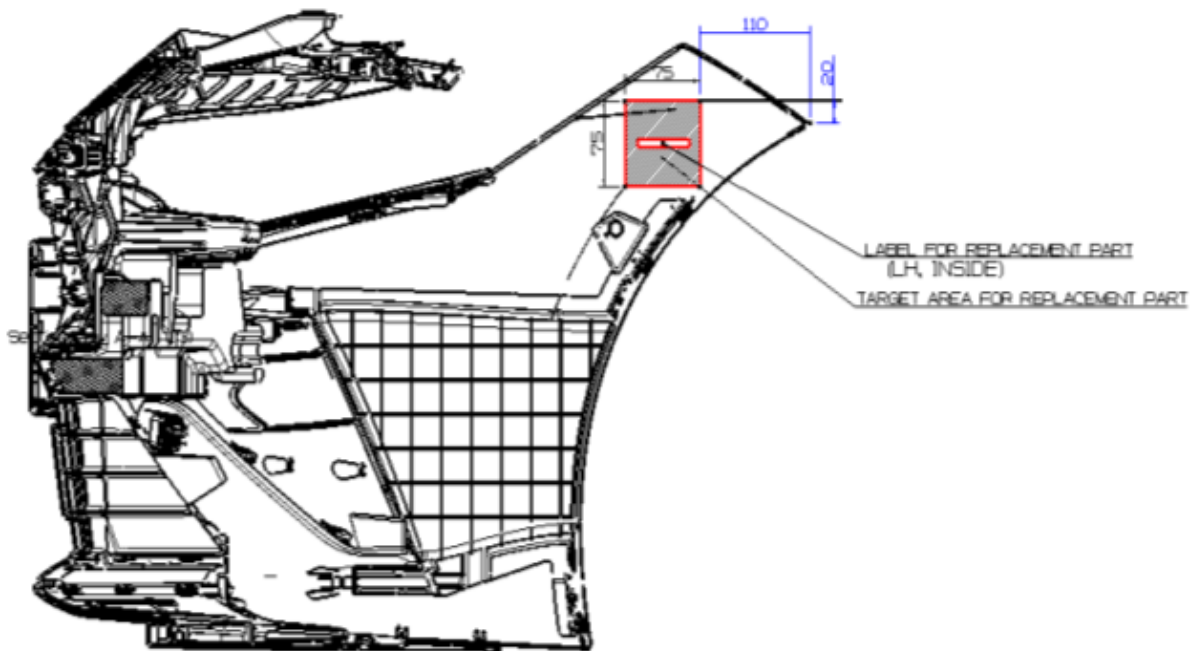
# Side Outer Panel (LH/RH)



# Front Bumper



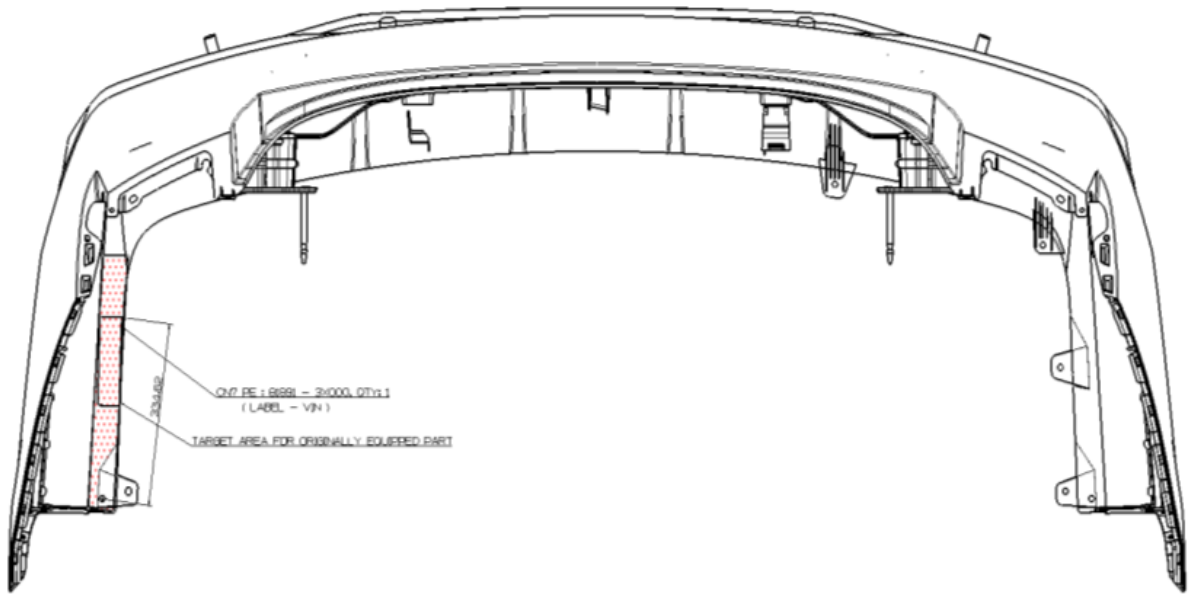
< FRONT BUMPER - BOTTOM VIEW >



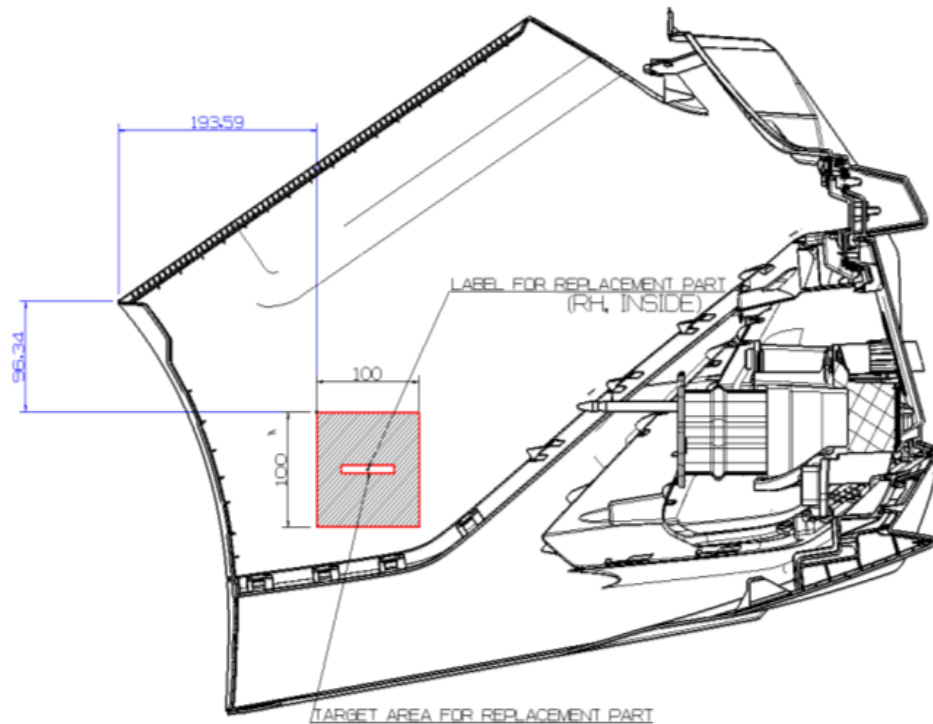
< FRONT BUMPER - SIDE VIEW >



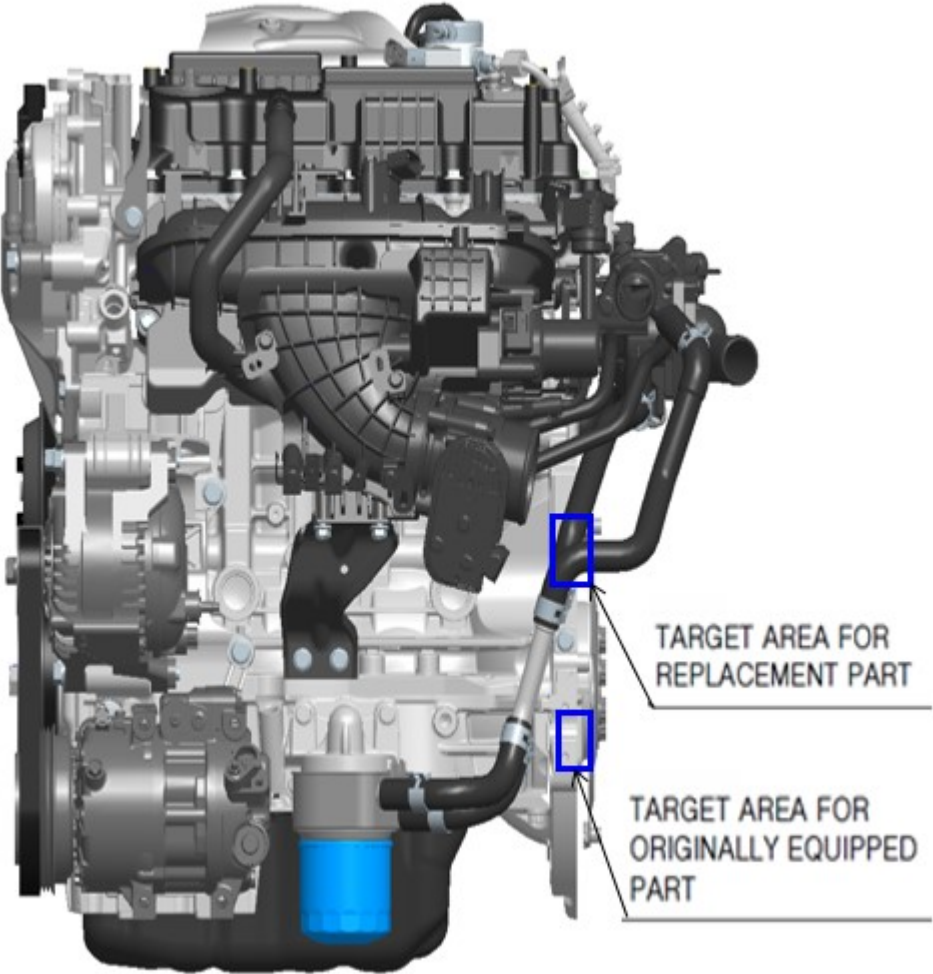
# Rear Bumper



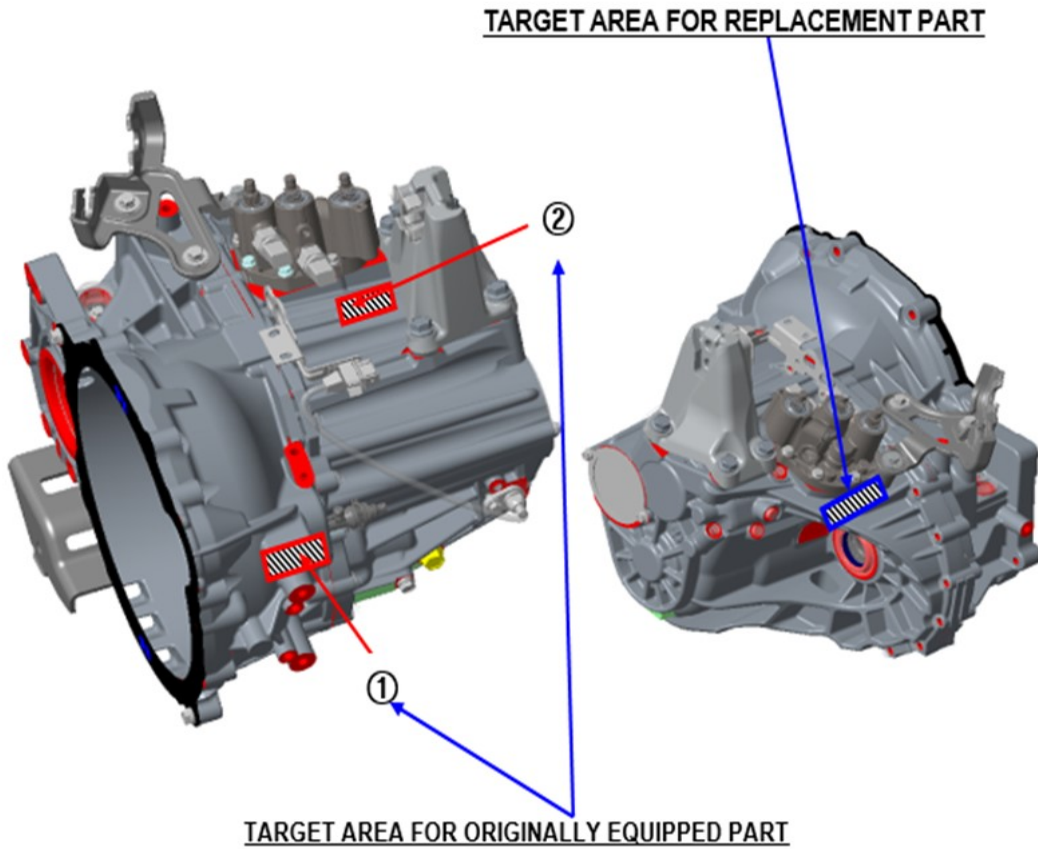
Front view 03



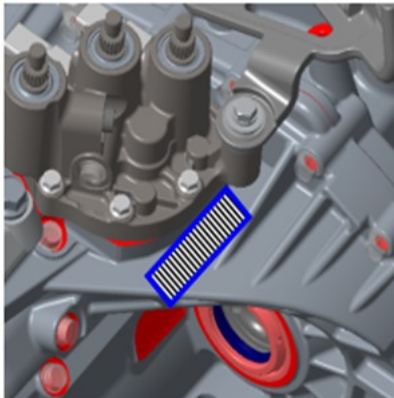
# Engine (2.0 T-GDI)



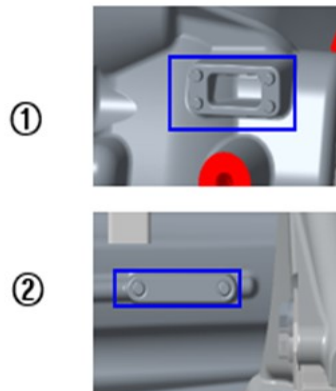
# Transmission (6MT for 2.0 T-GDIDCT)




**TARGET AREA FOR REPLACEMENT PART**



**TARGET AREA FOR ORIGINALLY EQUIPPED PART**

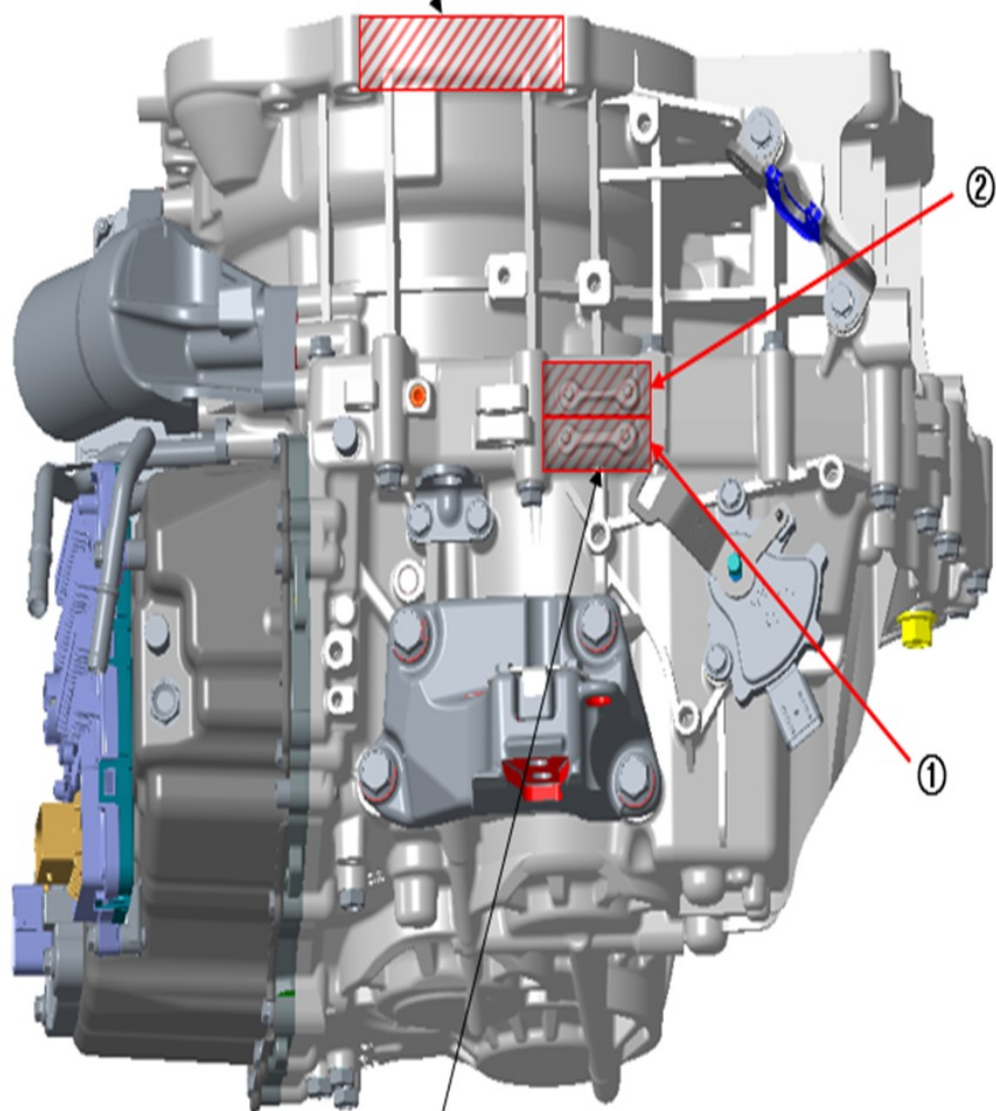


R  DOT OR R HMC DOT

**Attach VIN plate at the location 1 or 2**

## Transmission (8DCT fro 2.0 T-GDI)

TARGET AREA FOR  
REPLACEMENT PART



TARGET AREA FOR  
ORIGINALLY EQUIPPED PART

※ Attach VIN plate at the location ① or ②.