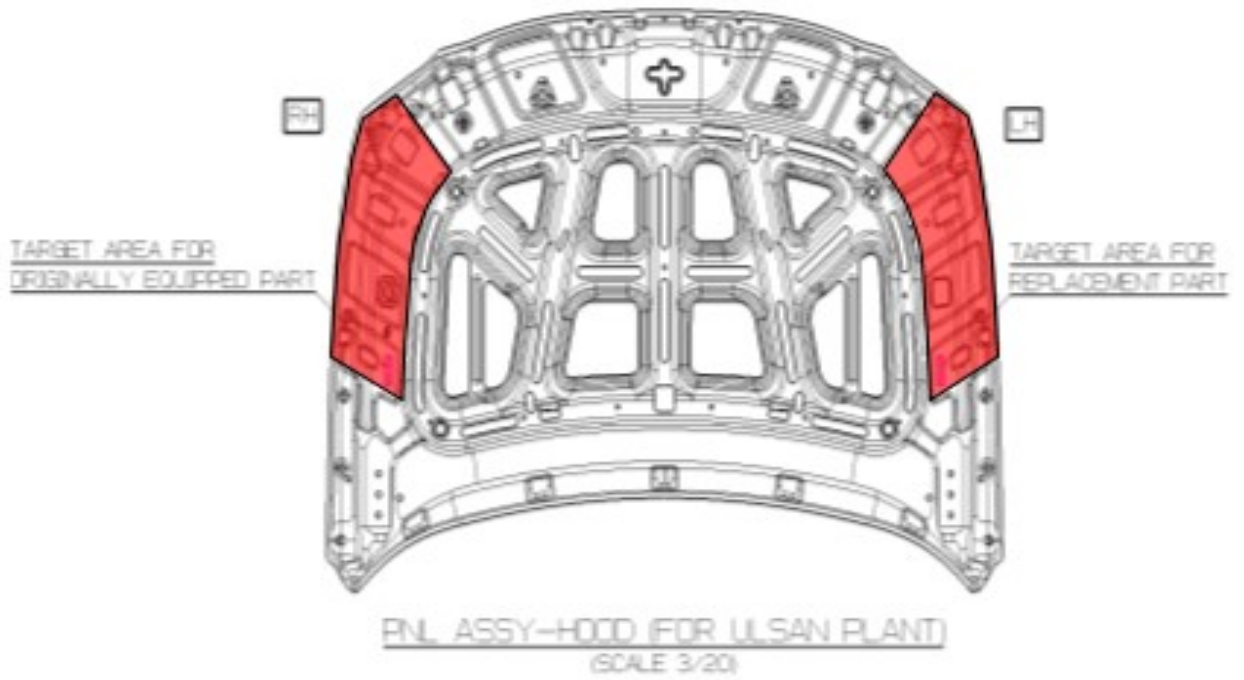


## **VIN marking area for Elantra Hybrid model**

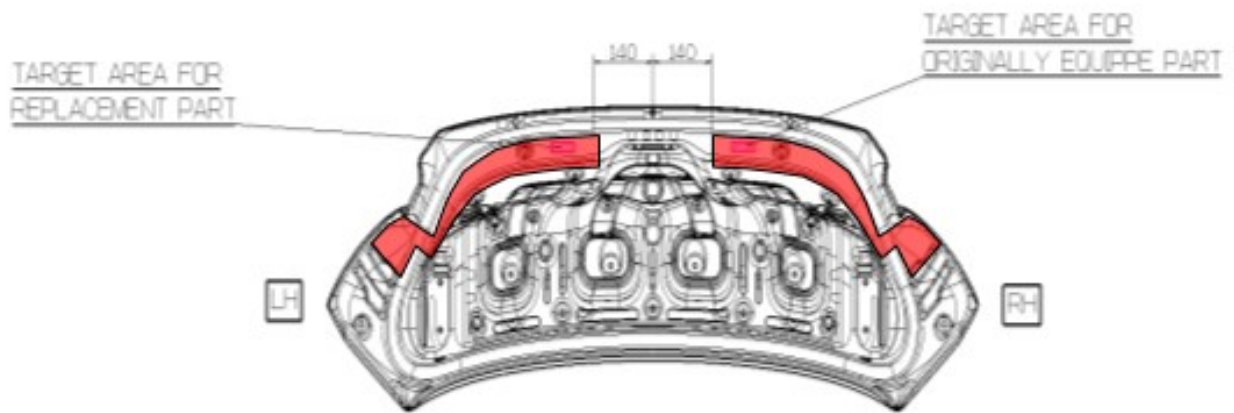
1. Hood
2. Trunk Lid
3. Front Fender (LH/RH)
4. Front Door (LH/RH)
5. Rear Door (LH/RH)
6. Side Outer Panel (LH/RH)
7. Front Bumper
8. Rear Bumper
9. Engine
10. Transmission



# Hood

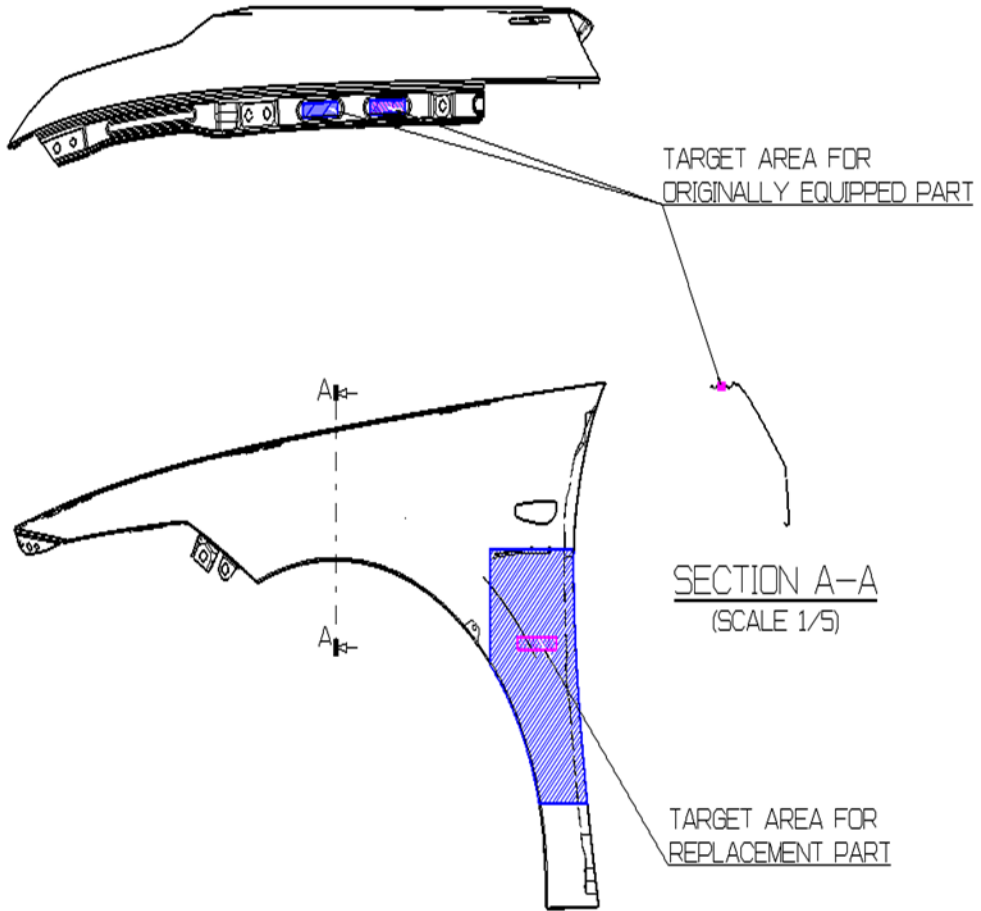


# Trunk Lid



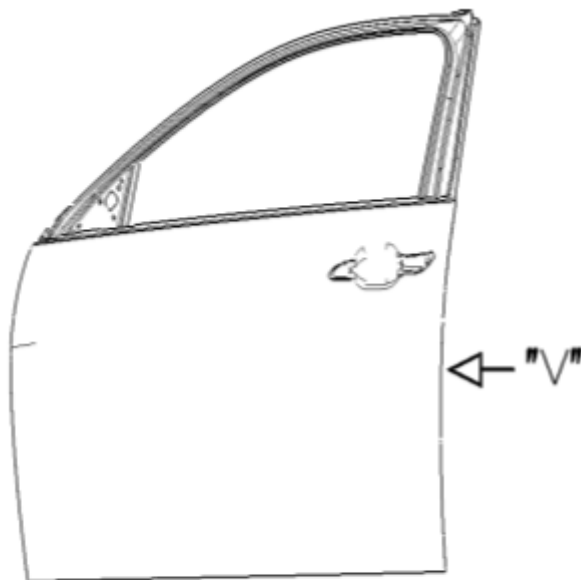
PNL ASSY-TRUNK LID  
(SCALE 3/20)

# Front Fender (LH/RH)

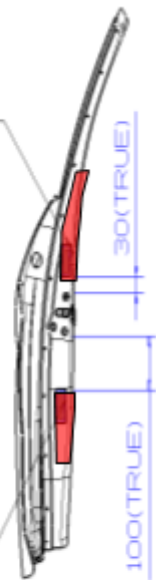


PNL-FENDER, LH/RH  
(SCALE 1/5)

# Front Door (LH/RH)



TARGET AREA FOR  
ORIGINALLY EQUIPPED PART

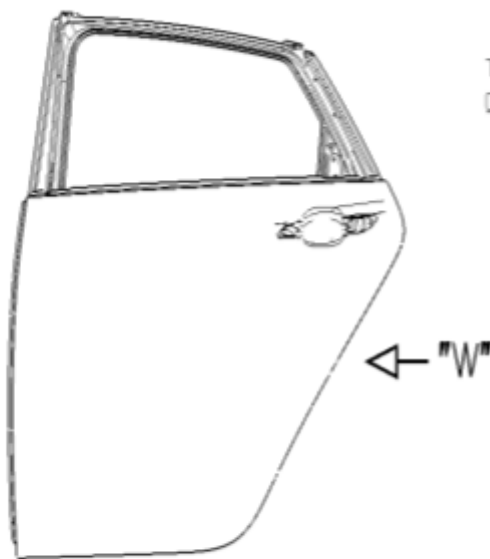


TARGET AREA FOR  
REPLACEMENT PART

PNL ASSY-FR DR, LH/RH  
(SCALE 1/10)

DETAIL "V"  
(REAR VIEW)

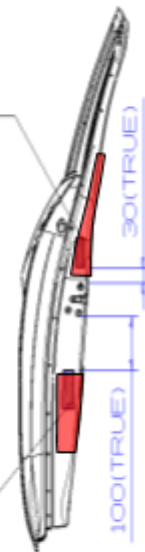
# Rear Door (LH/RH)



PNL ASSY-RR DR, LH/RH  
(SCALE 1/10)

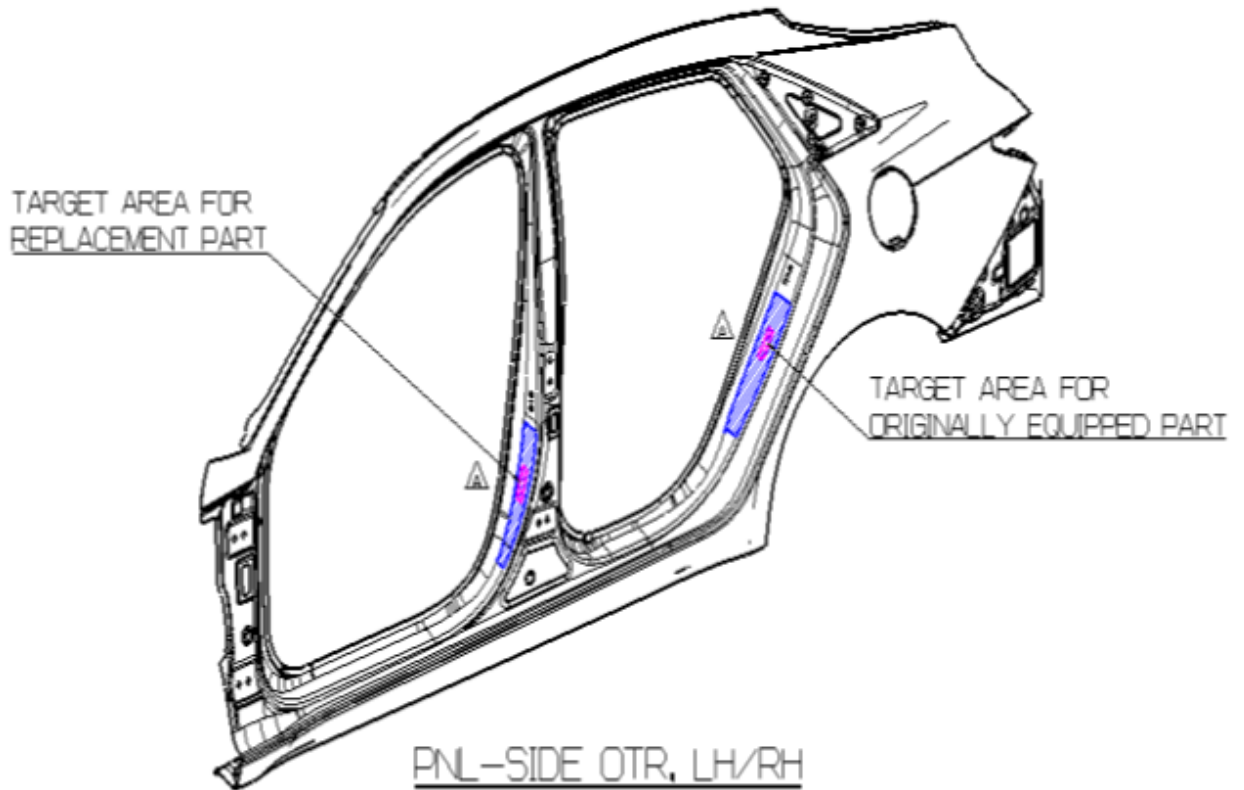
TARGET AREA FOR  
ORIGINALLY EQUIPPED PART

TARGET AREA FOR  
REPLACEMENT PART



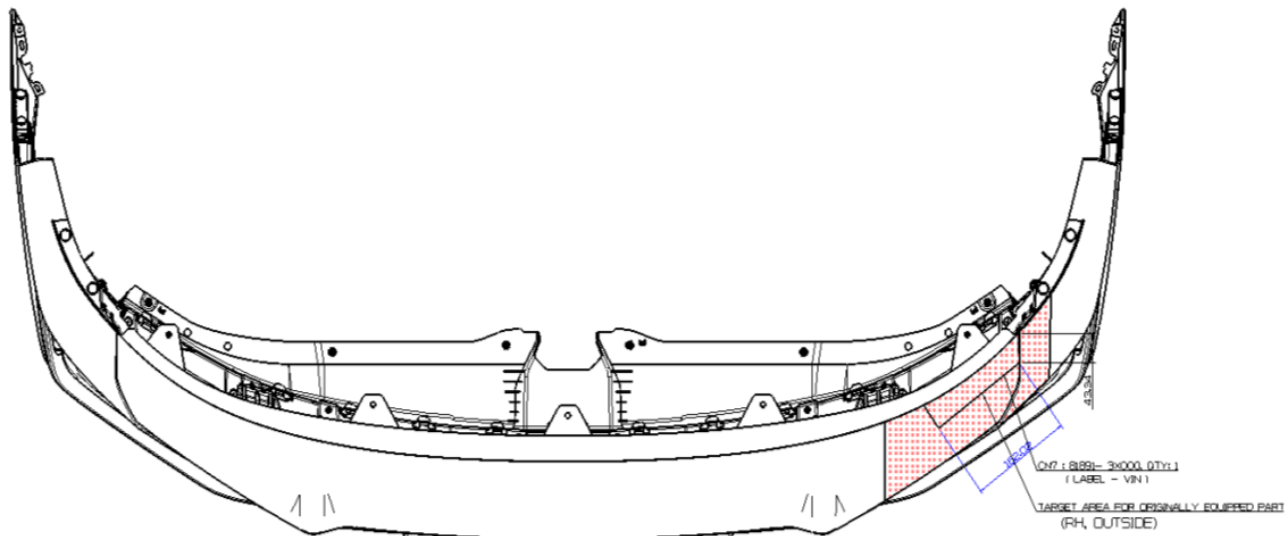
DETAIL "W"  
(REAR VIEW)

# Side Outer Panel (LH/RH)

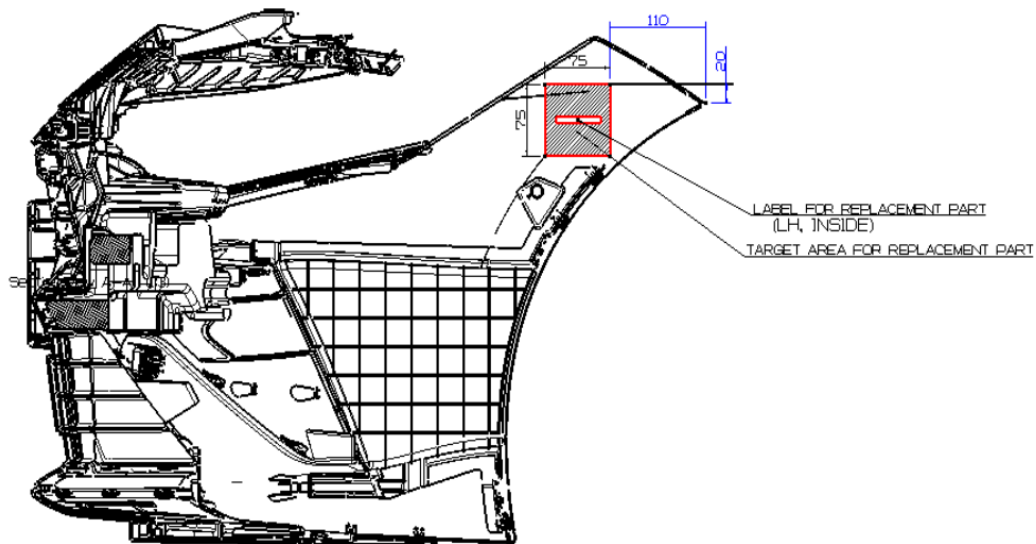


PNL-SIDE OTR, LH/RH  
(SCALE 1/10)

# Front Bumper



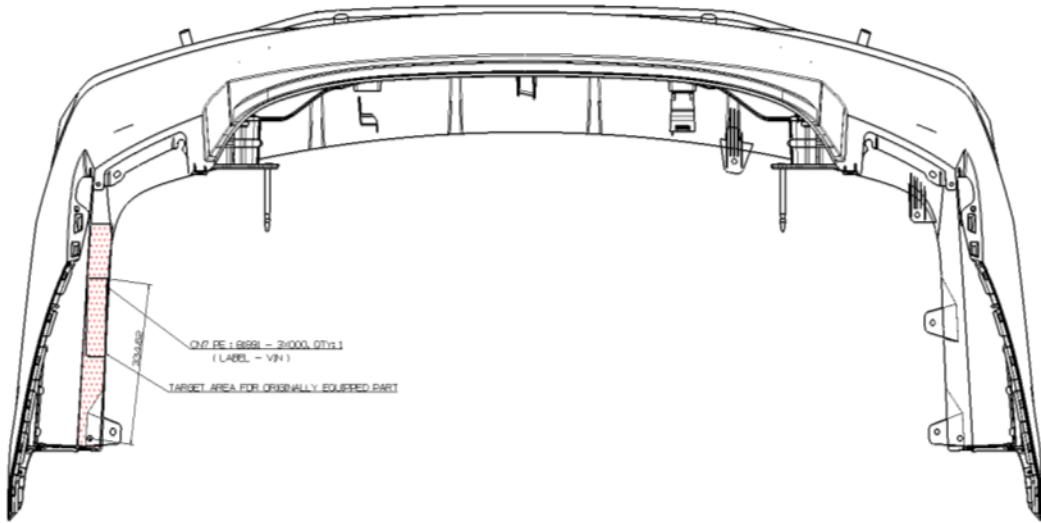
< FRONT BUMPER - BOTTOM VIEW >



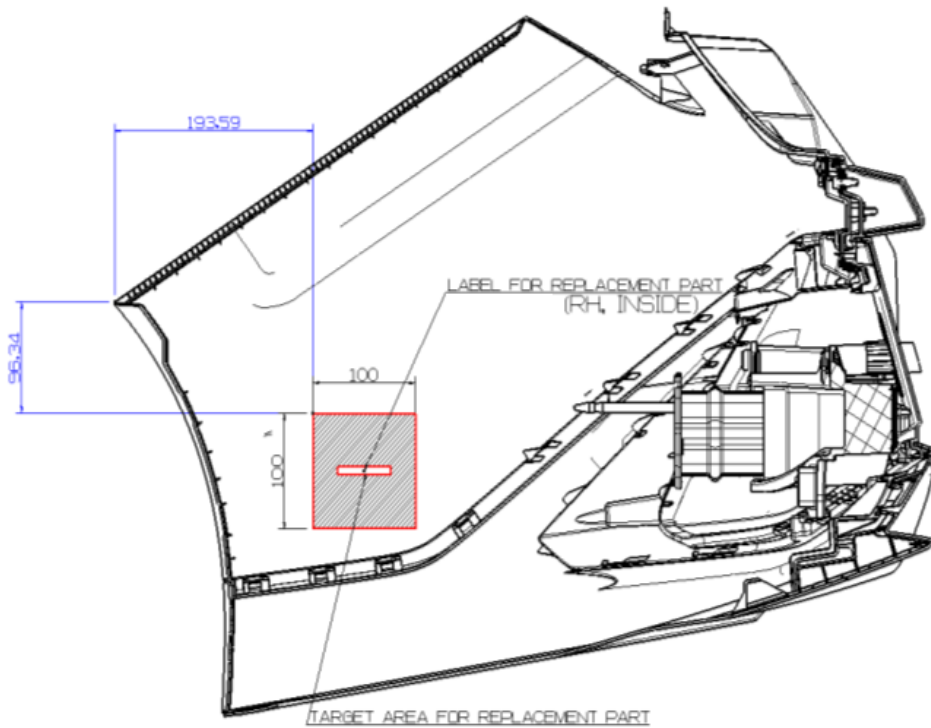
< FRONT BUMPER - SIDE VIEW >



# Rear Bumper

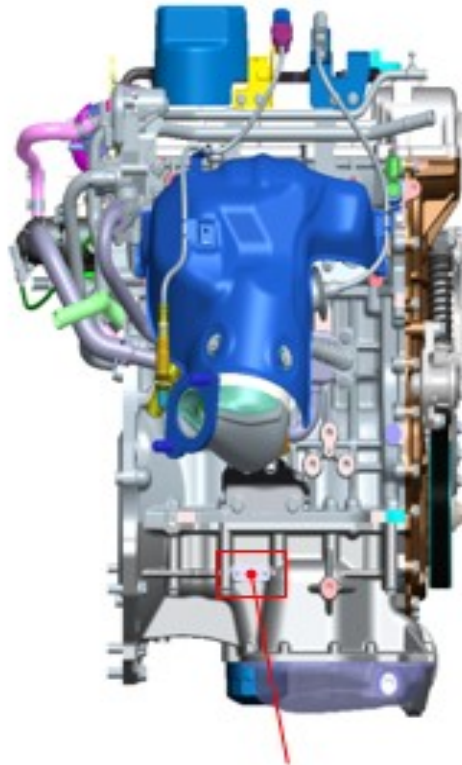


Front view (2)

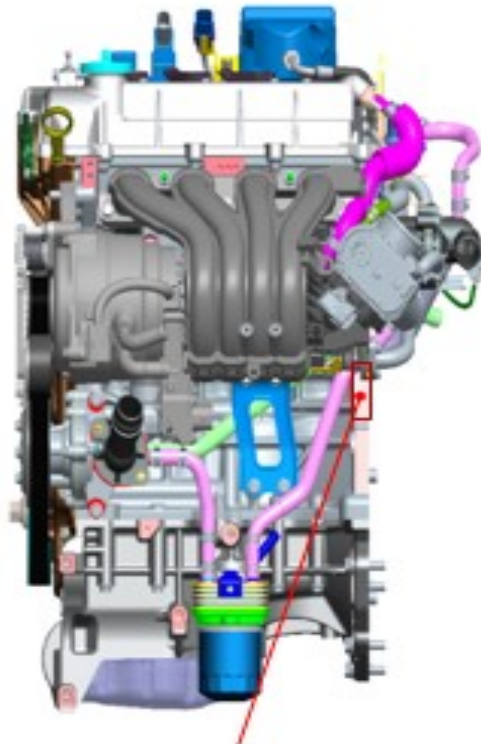


Manufactured in Ulsan, Korea

# Engine (1.6L GDI HEV)



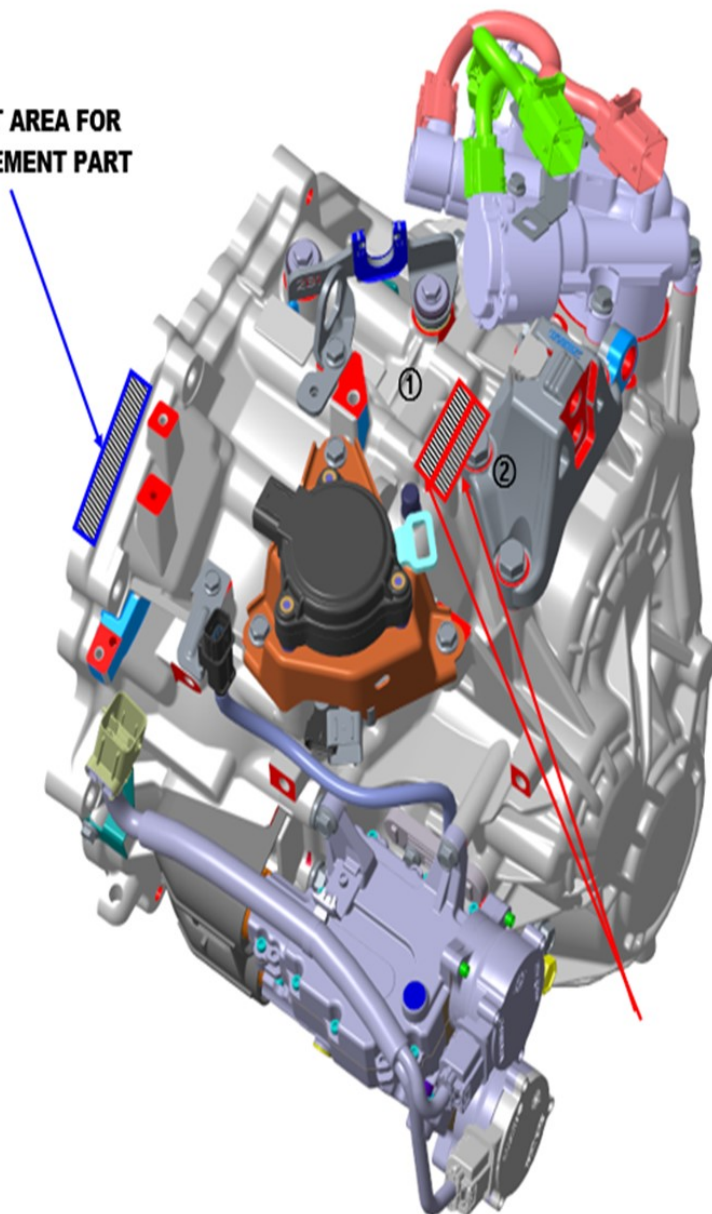
TARGET AREA FOR ORIGINALLY EQUIPPED PART



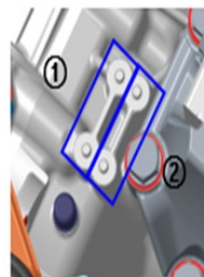
TARGET AREA FOR REPLACEMENT PART

# Transmission (HEV 6DCT for 1.6 GDI)

**TARGET AREA FOR  
REPLACEMENT PART**



**TARGET AREA FOR  
ORIGINALLY EQUIPPED PART**



**ATTACH ONE VIN PLATE  
LOCATION 1 OR 2**