

VIN marking area for Vinfast VF6 Model

1. Hood
2. Tail gate
3. Front fender (LH/RH)
4. Front door (LH/RH)
5. Rear door (LH/RH)
6. Side outer panel (LH/RH)
7. Front bumper
8. Rear bumper
9. Motor housing
10. Transmission housing
11. Inverter

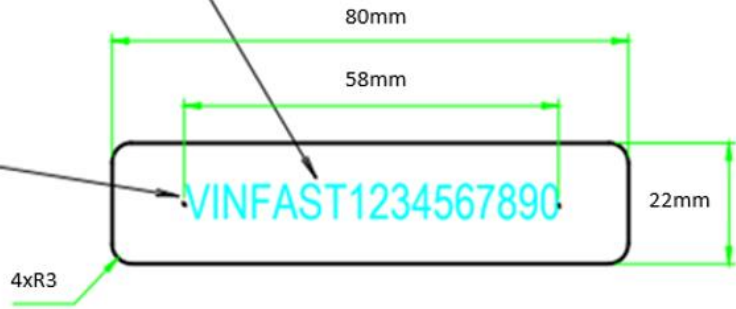


MARKING SIZE

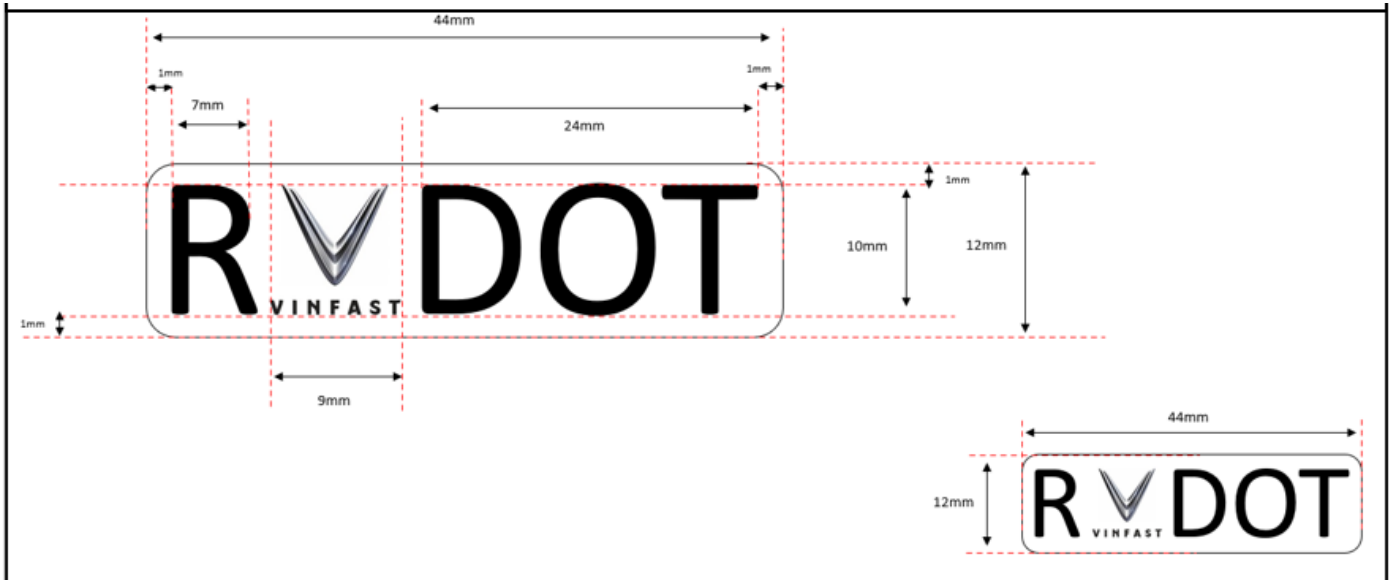
VIN marking dimensions

FULL 17 CHARACTER VIN MAXIMUM
58MM WIDE (CENTRALLY ALIGNED TO
LABEL BOUNDARY)

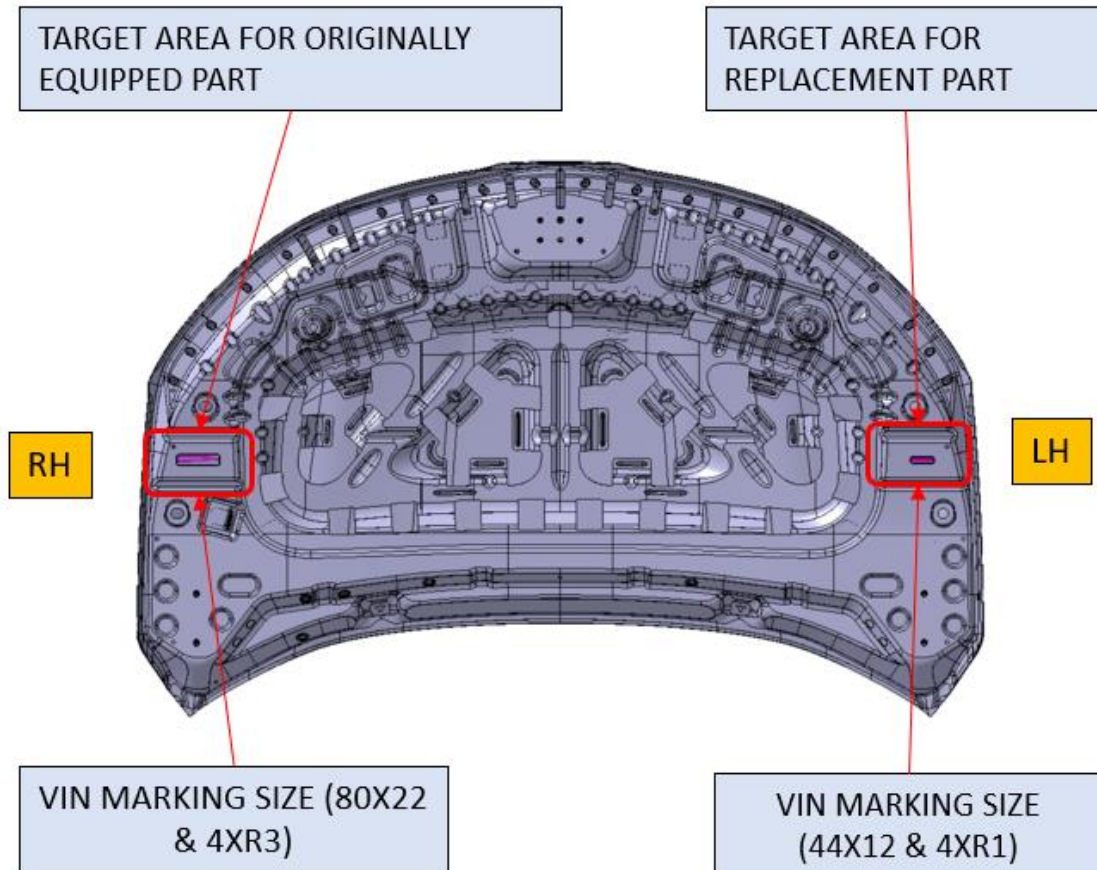
FULL 17 CHARACTER VIN TO
BE PRINTED HERE IN BOLD
MINIMUM 5MM HEIGHT



Replacement part dimensions



Hood



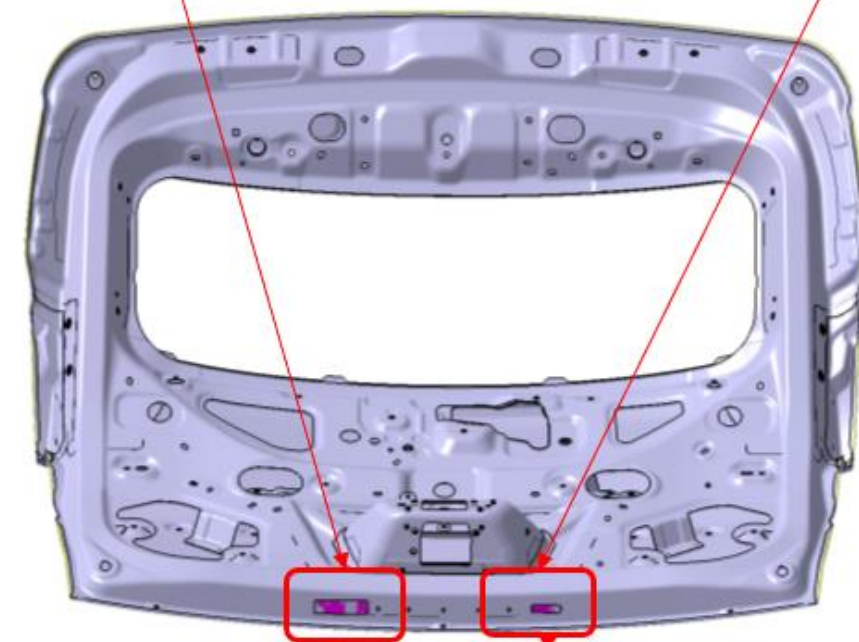
Tail Gate

TARGET AREA FOR ORIGINALLY
EQUIPPED PART

TARGET AREA FOR
REPLACEMENT PART

RH

LH



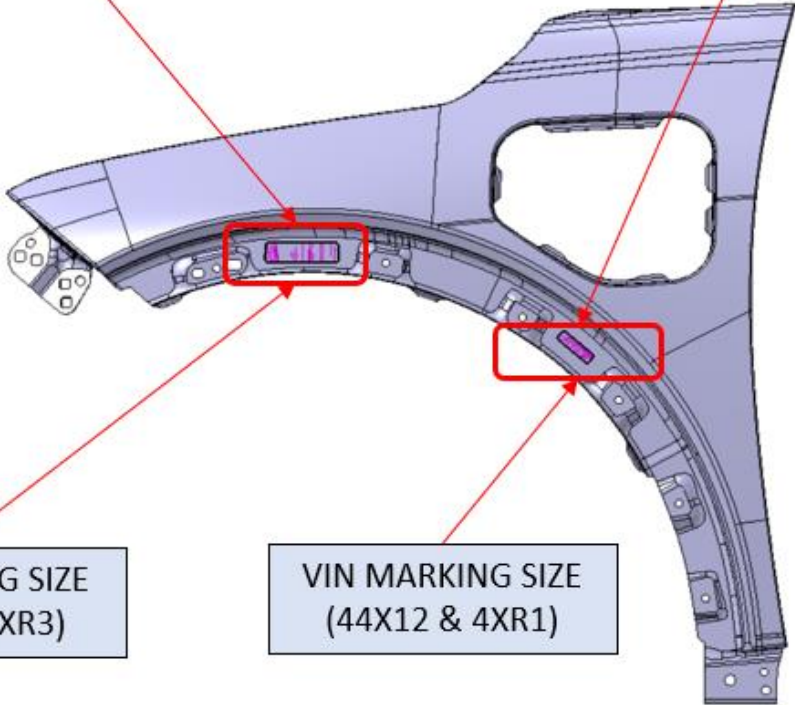
VIN MARKING SIZE (80X22
& 4XR3)

VIN MARKING SIZE
(44X12 & 4XR1)

Front fender (LH/RH)

TARGET AREA FOR ORIGINALLY EQUIPPED PART

TARGET AREA FOR REPLACEMENT PART

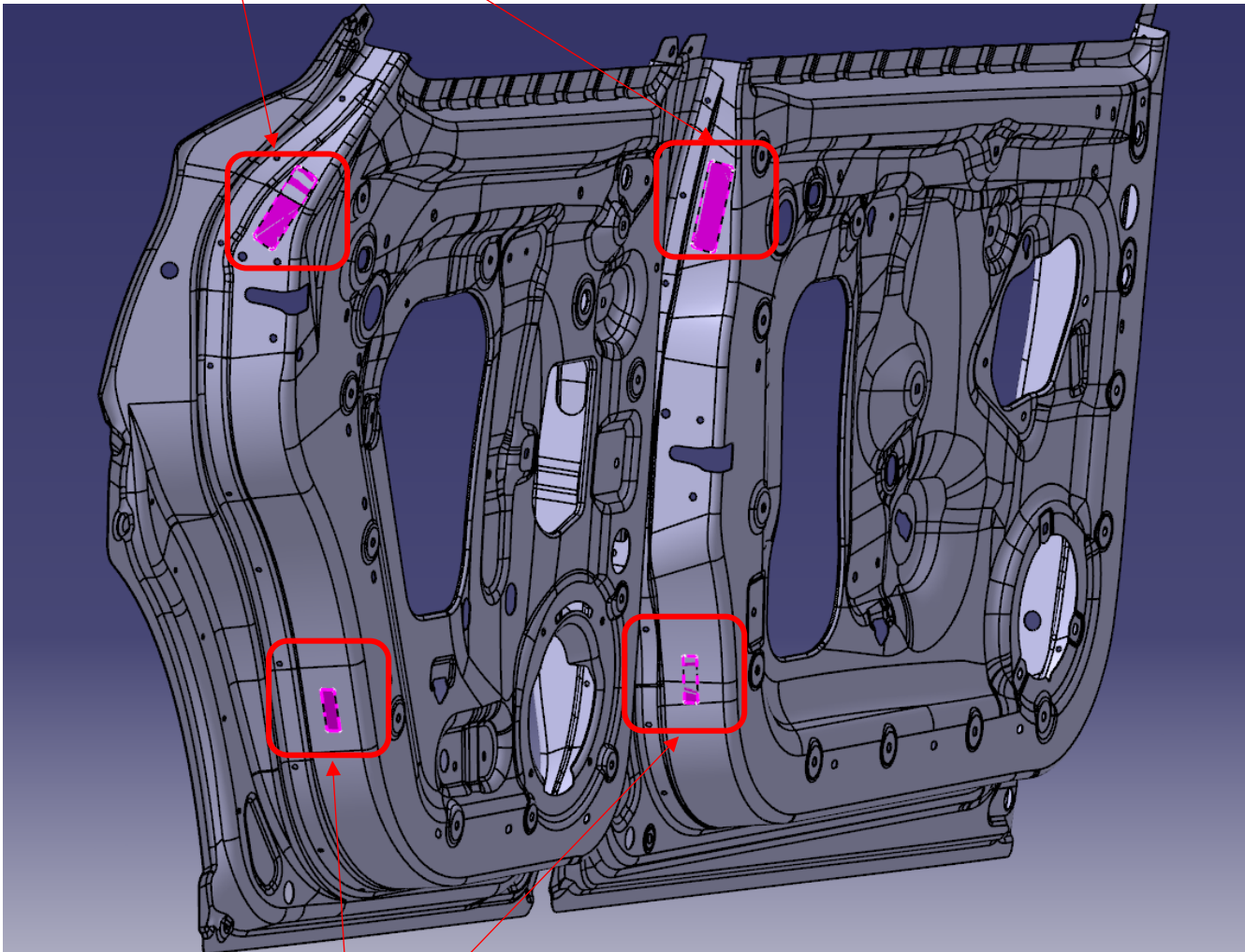


VIN MARKING SIZE
(80X22 & 4XR3)

VIN MARKING SIZE
(44X12 & 4XR1)

Front door (LH/RH)

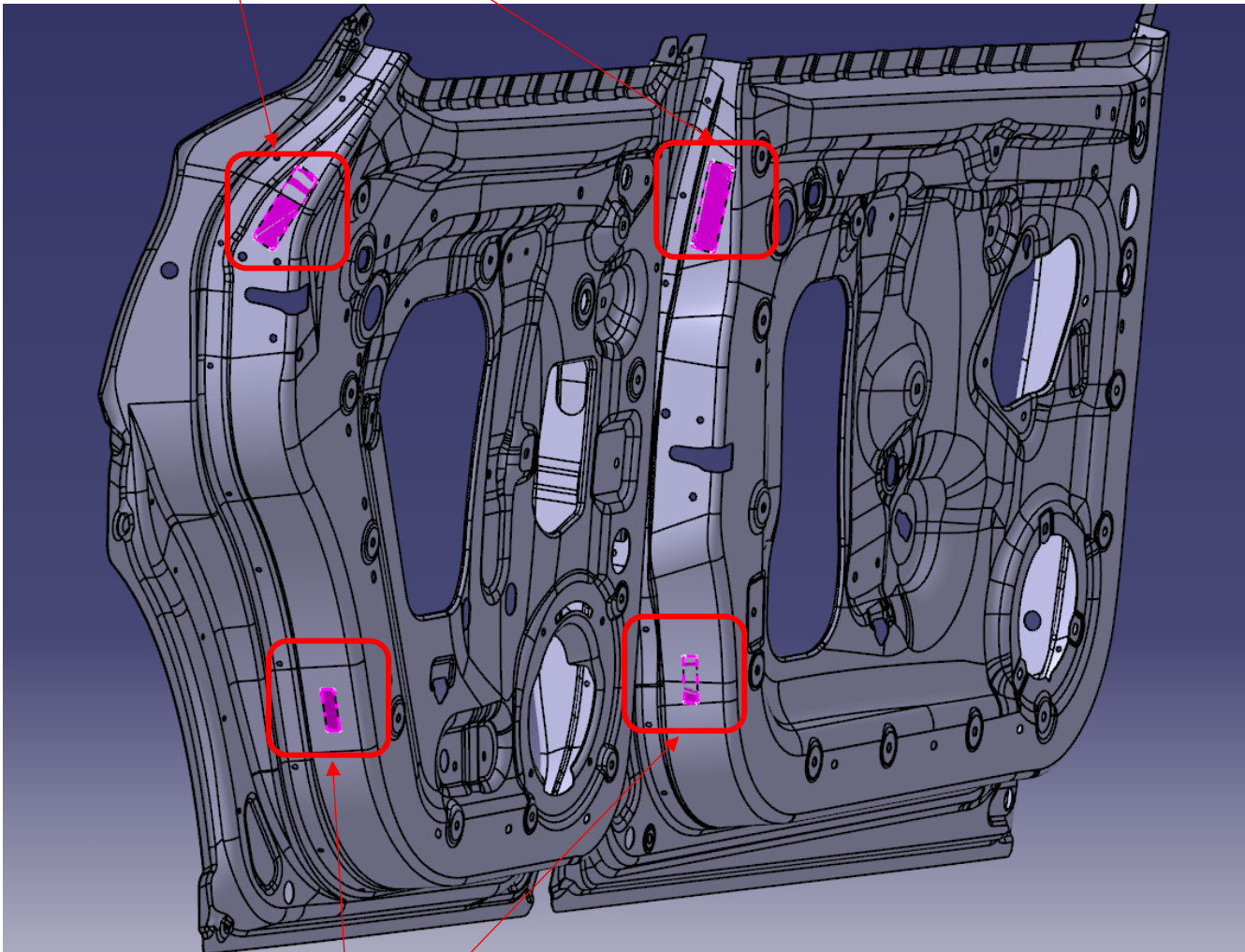
TARGET AREA FOR ORIGINALLY
EQUIPPED PART



TARGET AREA FOR
REPLACEMENT PART

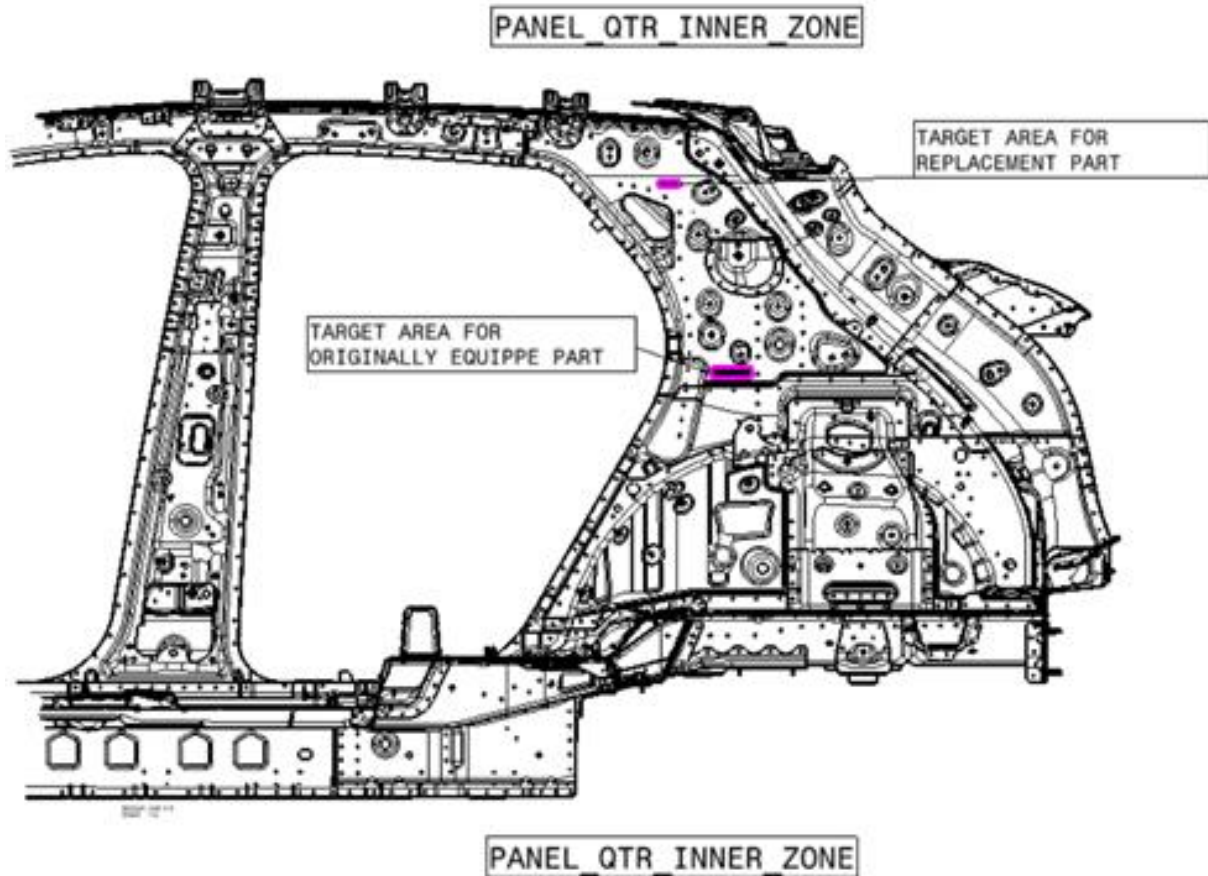
Rear door (LH/RH)

TARGET AREA FOR ORIGINALLY
EQUIPPED PART

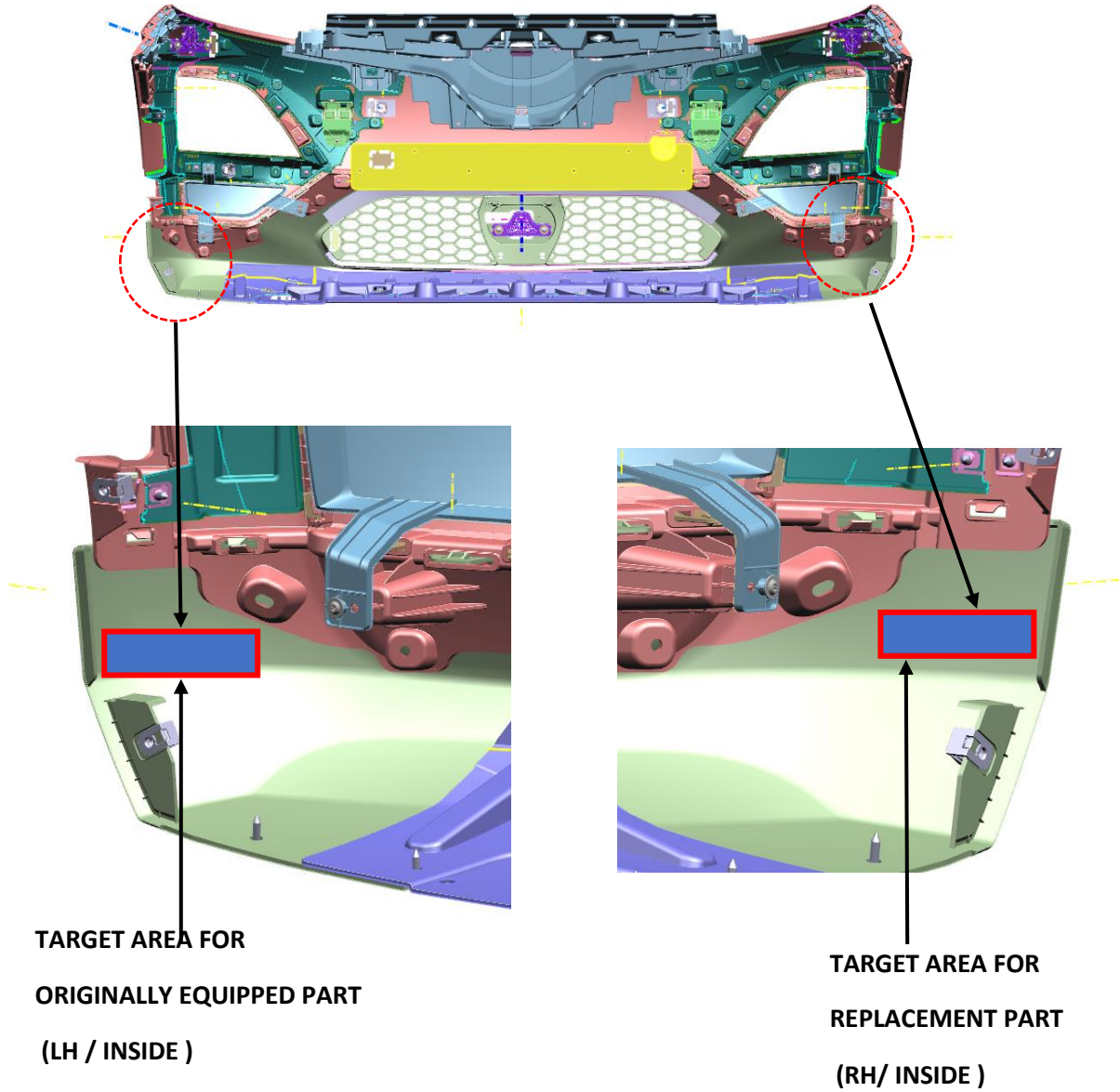


TARGET AREA FOR
REPLACEMENT PART

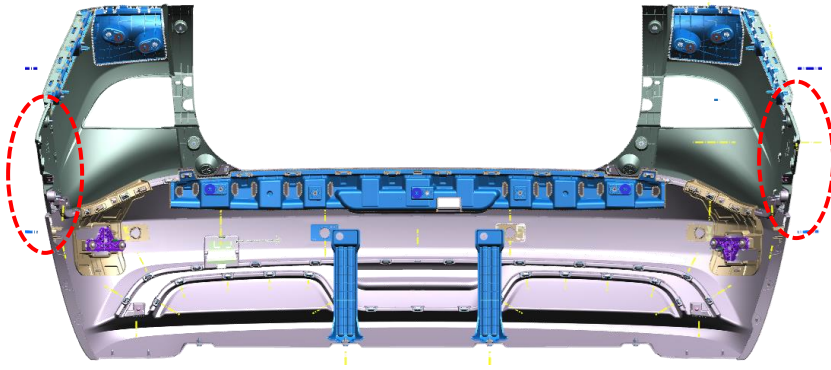
Side outer panel (LH/RH)



Front bumper



Rear bumper

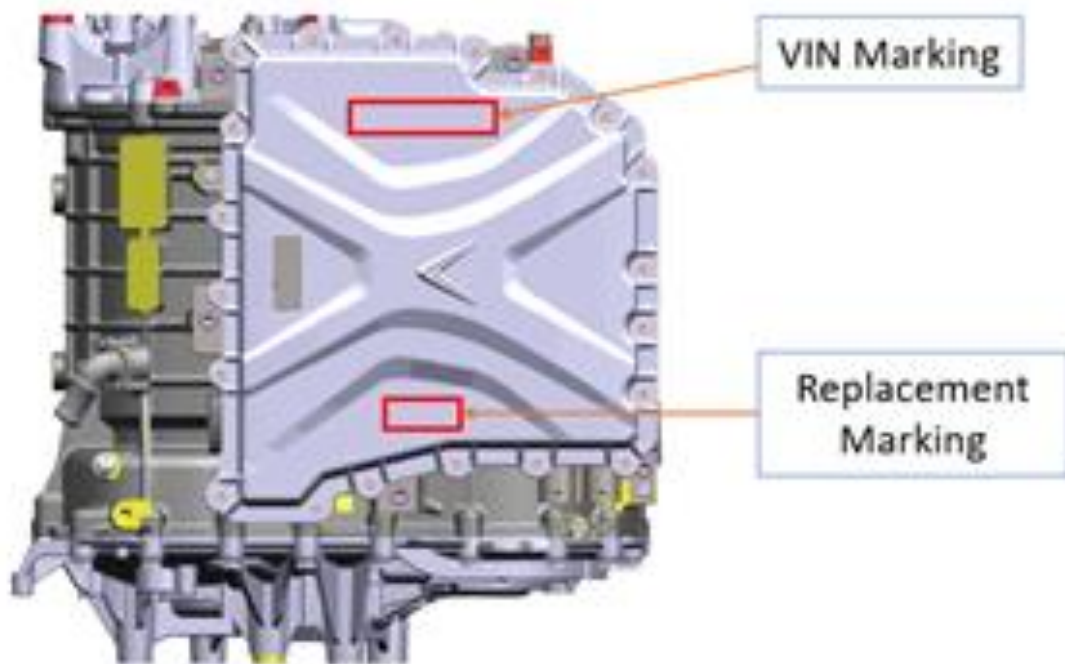


TARGET AREA FOR
ORIGINALLY EQUIPPED PART
(LH / INSIDE)



TARGET AREA FOR
REPLACEMENT PART
(RH/ INSIDE)

Transmission housing



NOTE: Since the Electric Drive system (EDS) is one assembly which includes Motor, Transmission, and Inverter, it's like an engine that includes many parts (Block, cylinder heads, intake, etc); therefore, only one VIN label is affixed on EDS.