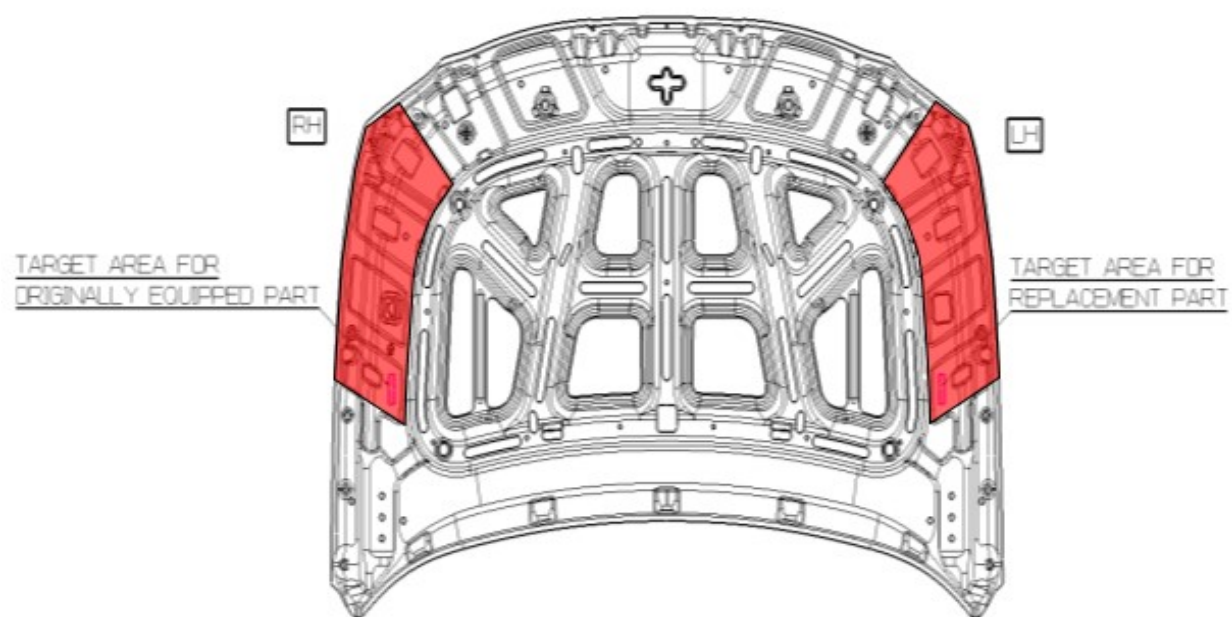


VIN marking area for Elantra model

1. Hood
2. Trunk Lid
3. Front Fender (LH/RH)
4. Front Door (LH/RH)
5. Rear Door (LH/RH)
6. Side Outer Panel (LH/RH)
7. Front Bumper
8. Rear Bumper
9. Engine
10. Transmission

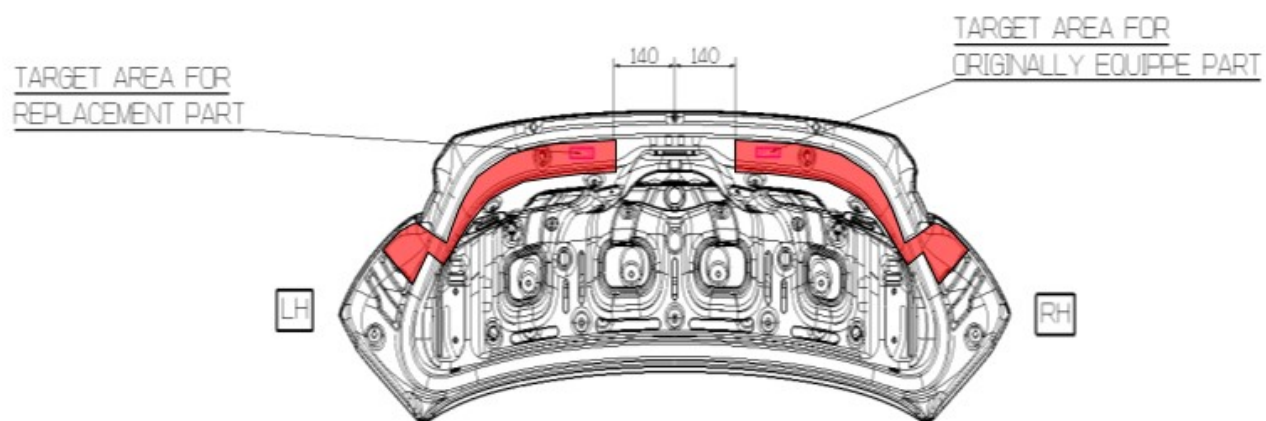


Hood



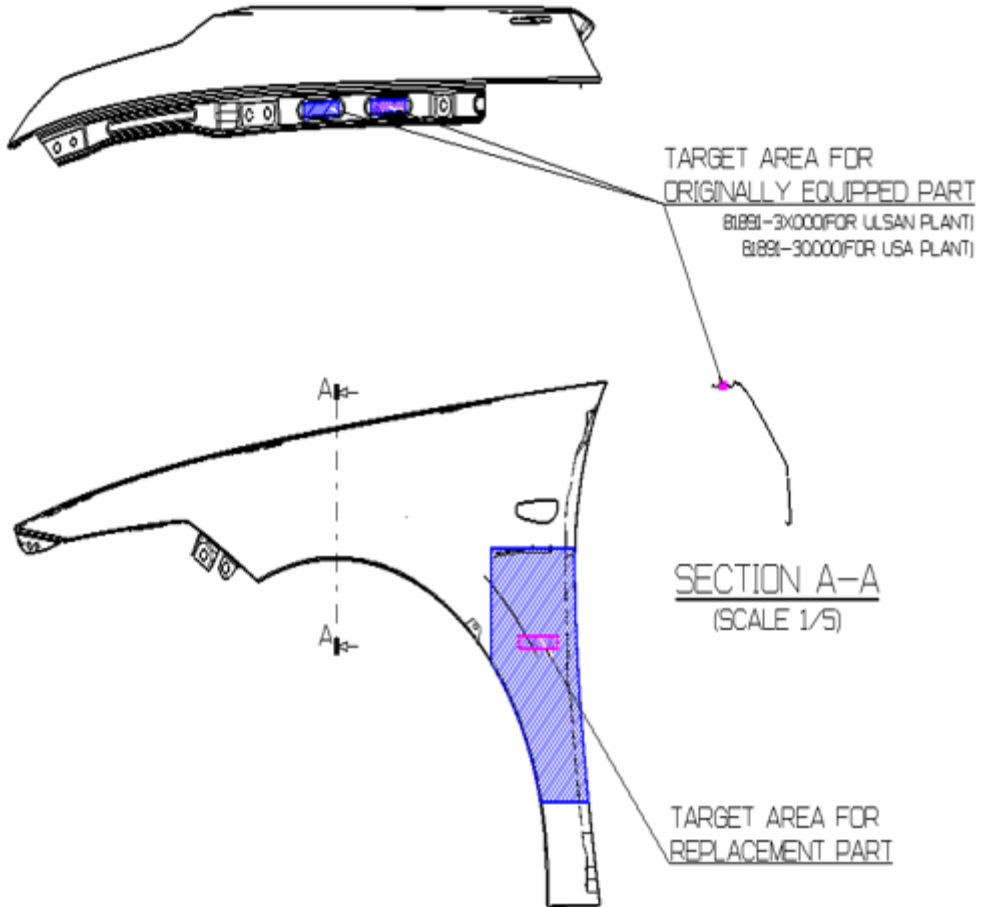
P.N.L. ASSY-HOOD (FOR ULSAN PLANT)
(SCALE 3/20)

Trunk Lid



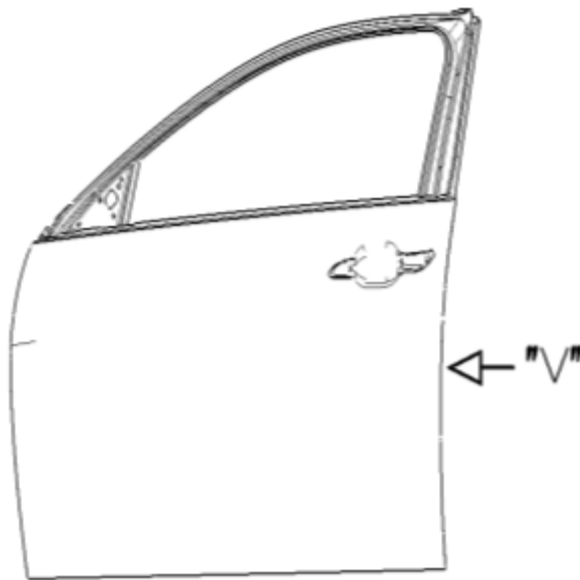
PNL ASSY-TRUNK LID
(SCALE 3/20)

Front Fender (LH/RH)



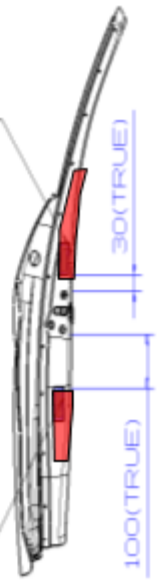
PNL-FENDER, LH/RH
(SCALE 1/5)

Front Door (LH/RH)



TARGET AREA FOR
ORIGINALLY EQUIPPED PART

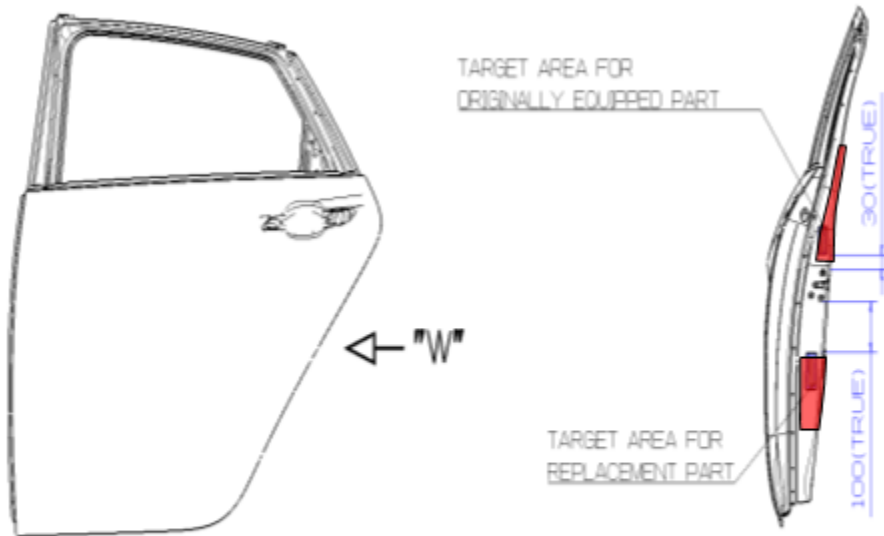
TARGET AREA FOR
REPLACEMENT PART



PNL ASSY-FR DR, LH/RH
(SCALE 1/10)

DETAIL "V"
(REAR VIEW)

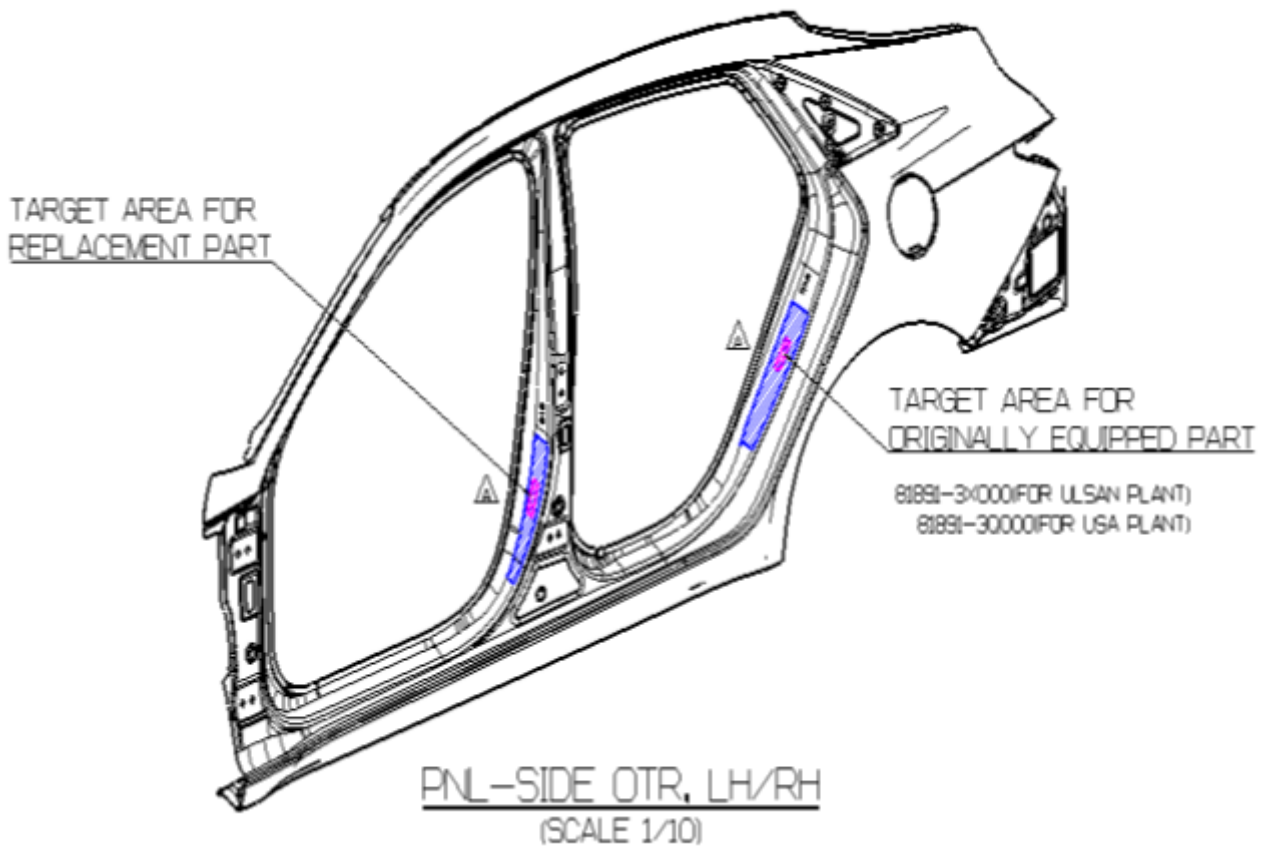
Rear Door (LH/RH)



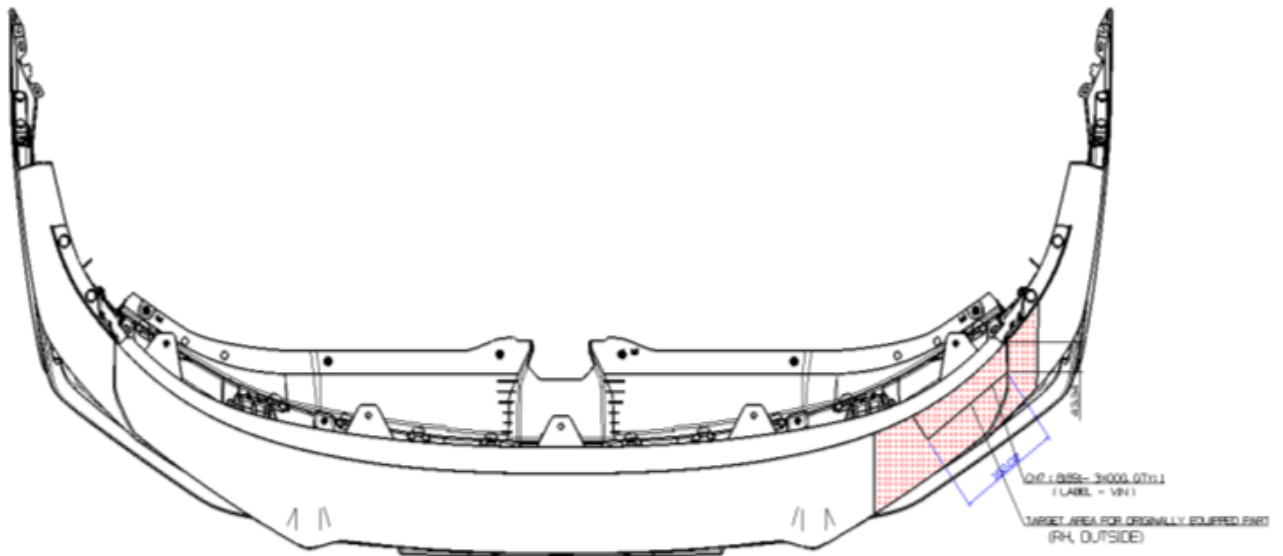
PNL ASSY-RR DR, LH/RH
(SCALE 1/10)

DETAIL "W"
(REAR VIEW)

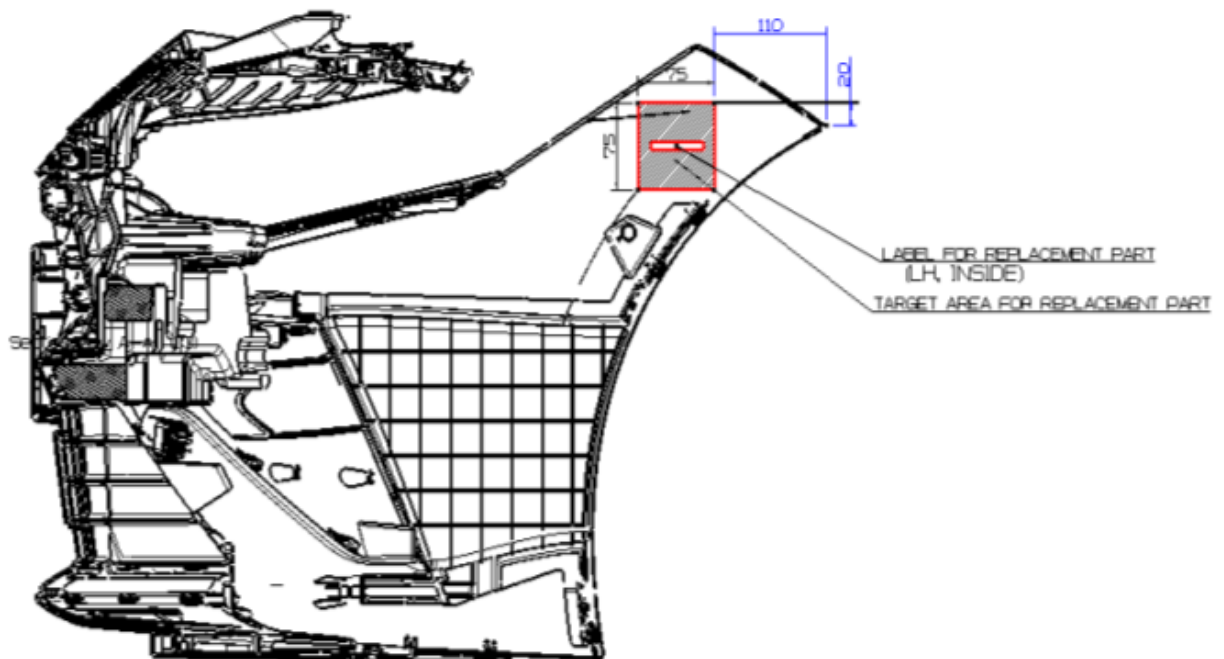
Side Outer Panel (LH/RH)



Front Bumper

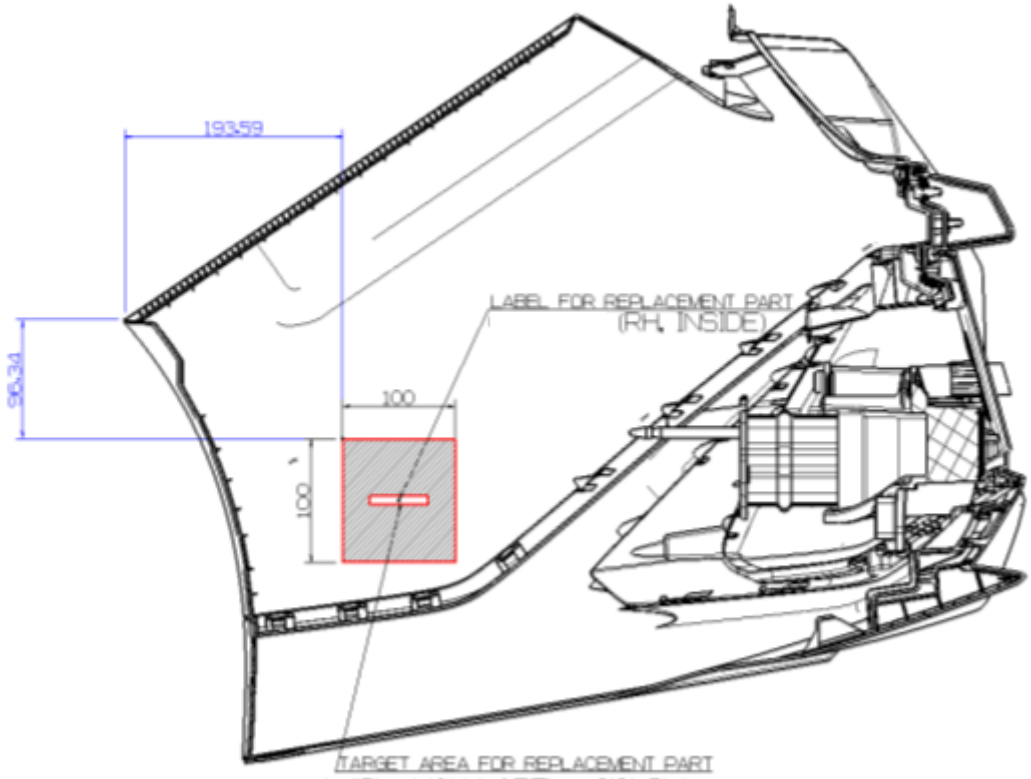
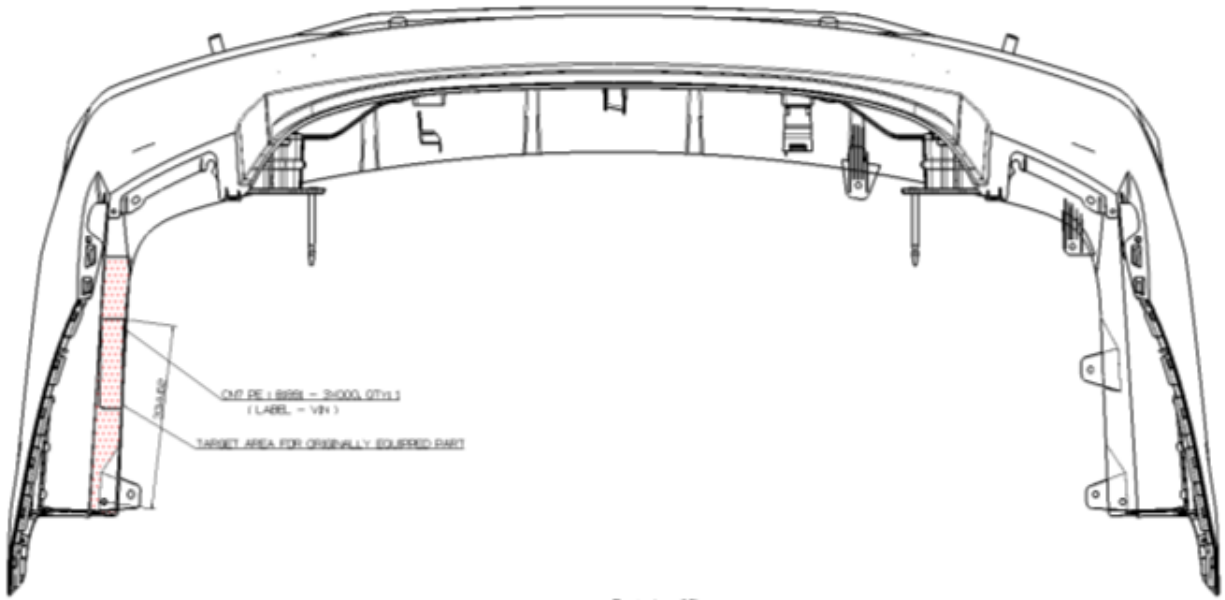


< FRONT BUMPER - BOTTOM VIEW >

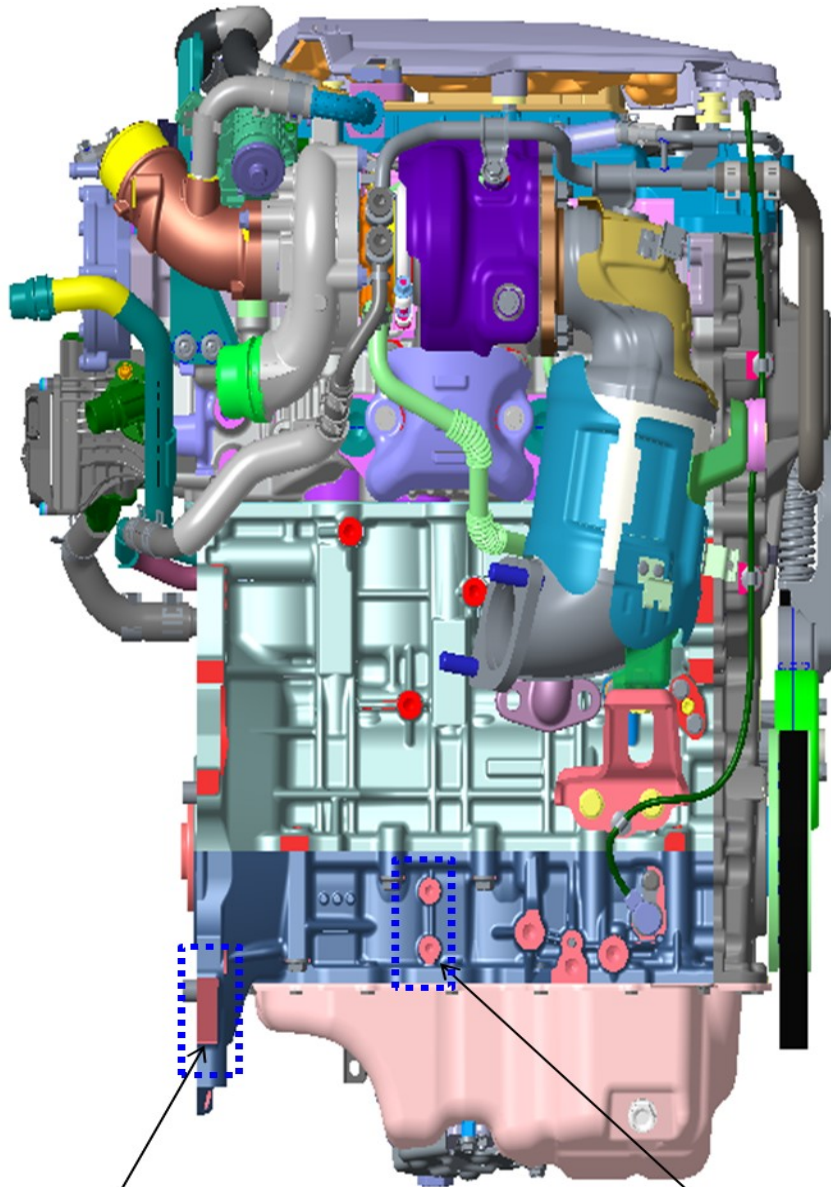


< FRONT BUMPER - SIDE VIEW >

Rear Bumper



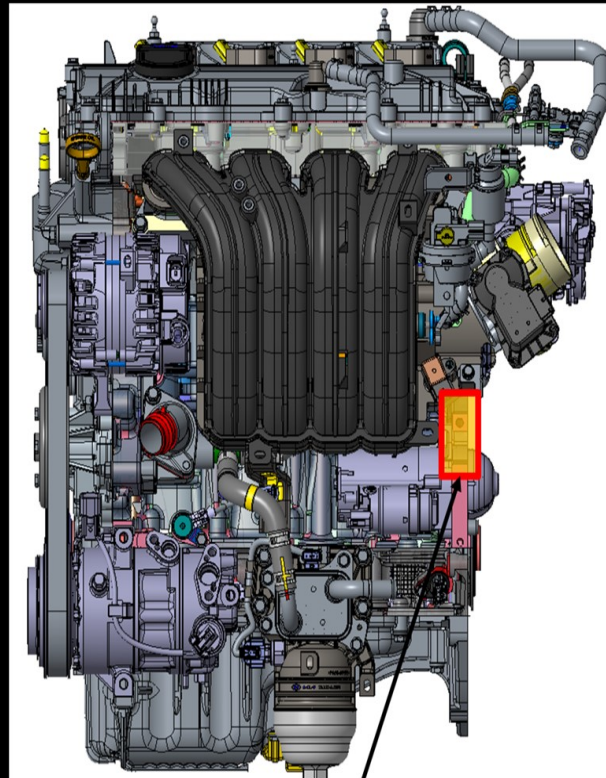
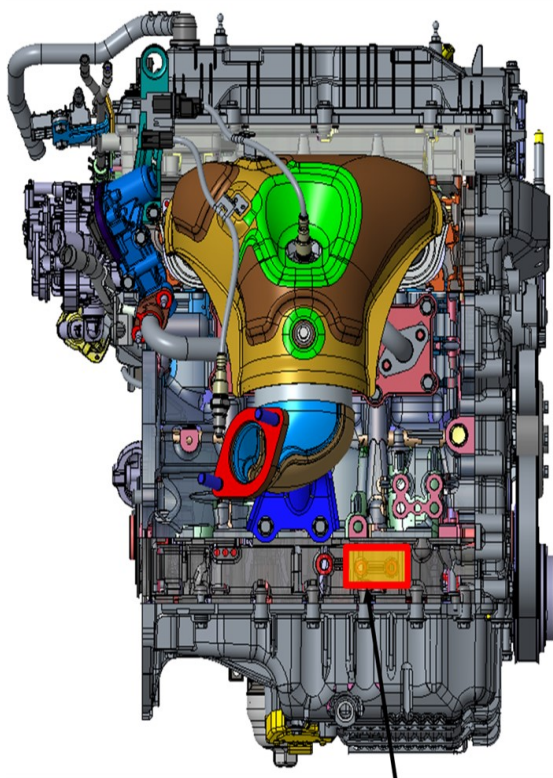
Engine (1.6L T-GDI)



**Target Area for
Replacement
Part**

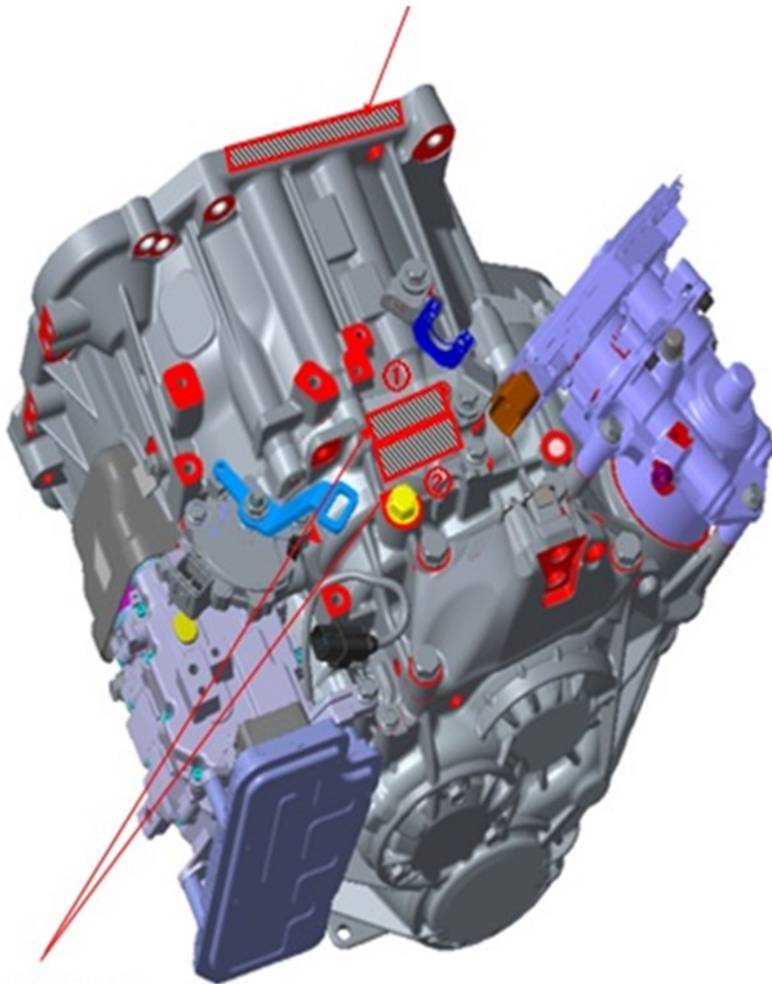
**Target Area
(V.I.N.)
for Original
Equipment Part**

Engine (2.0 MPI)



Transmission (DCT for 1.6L T-GDI)

TARGET AREA FOR
REPLACEMENT PART



TARGET AREA FOR
ORIGINALLY EQUIPPED PART



ATTACH ONE VIN PLATE LOCATION 1 OR 2.

Transmission (CVT for 2.0L MPI)

