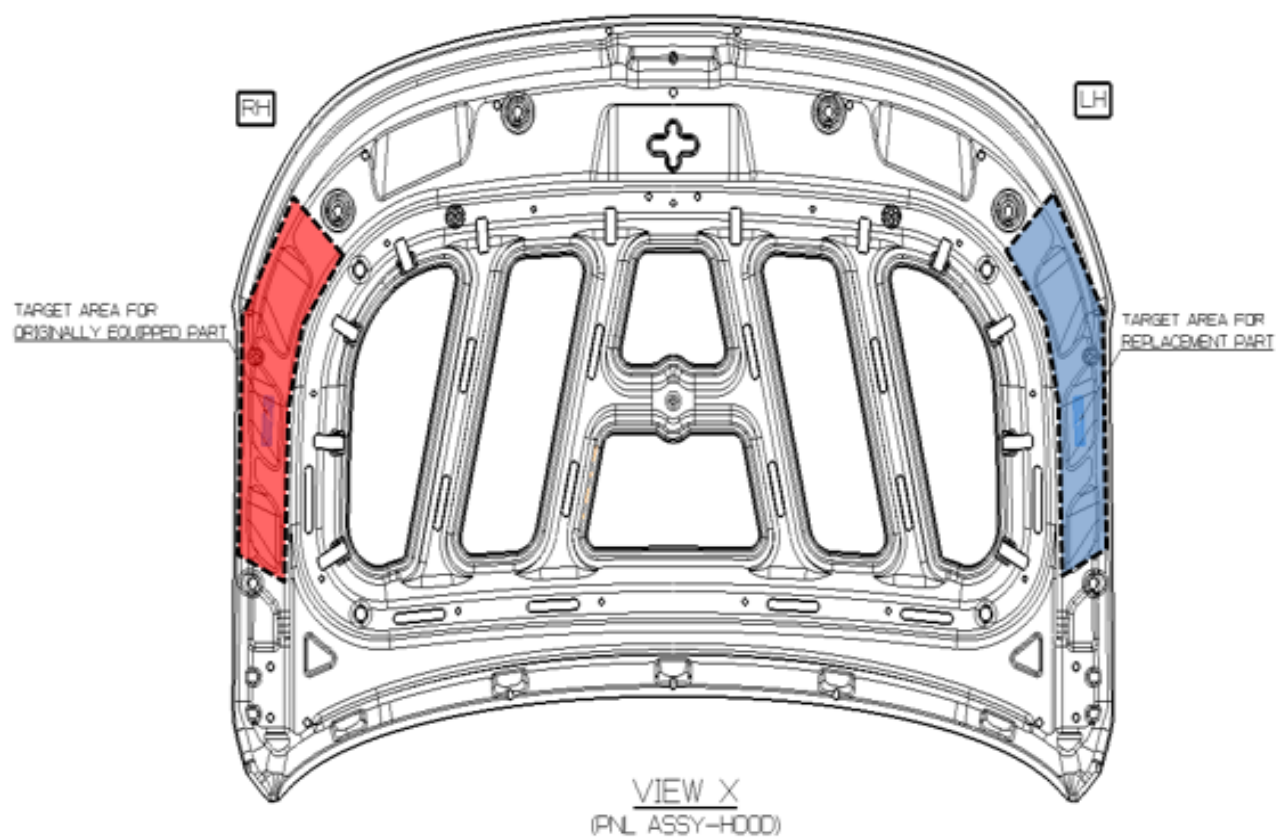


## **VIN marking area for Kona model**

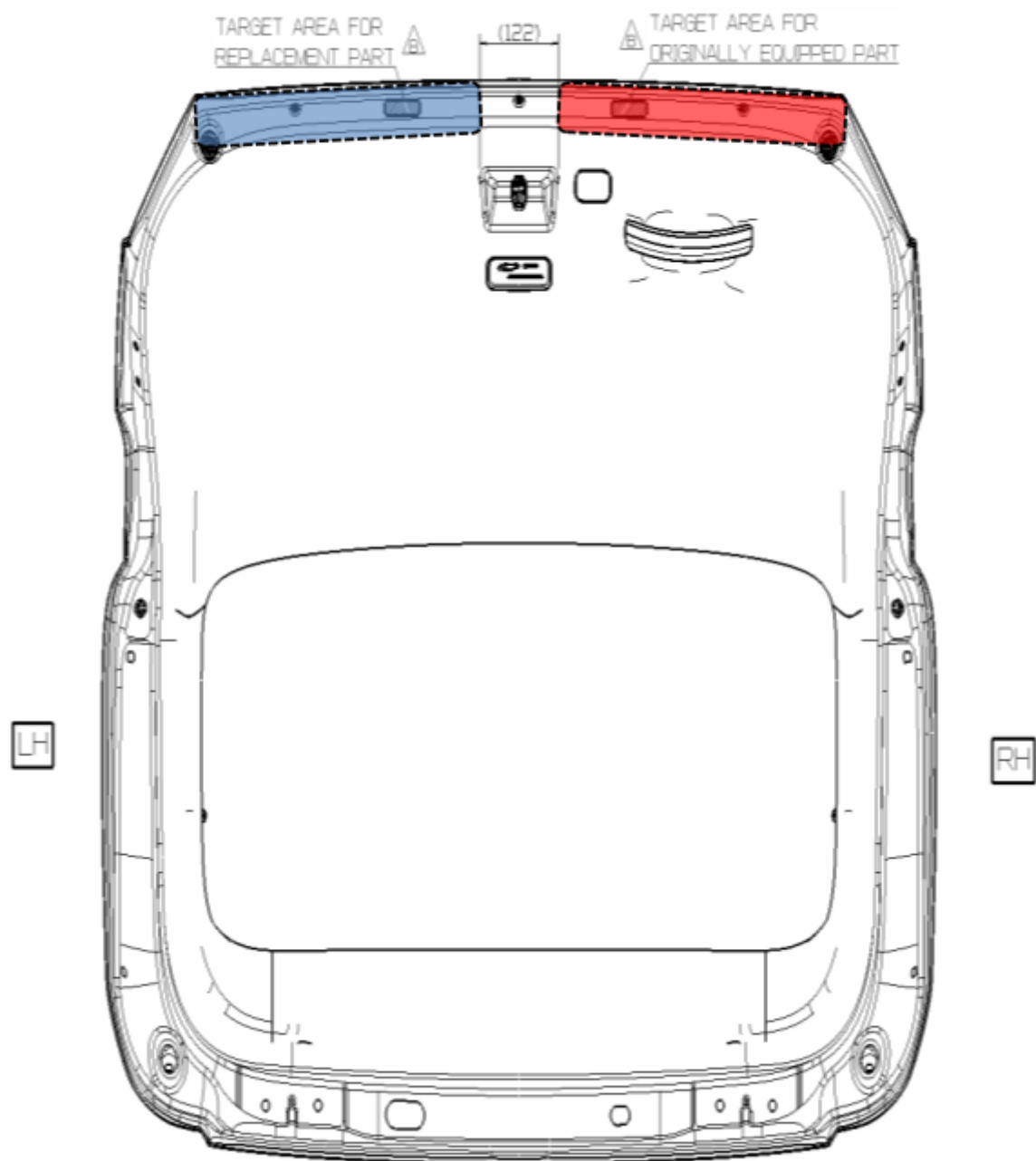
- 1. Hood**
- 2. Tail Gate**
- 3. Front Fender (LH/RH)**
- 4. Front Door (LH/RH)**
- 5. Rear Door (LH/RH)**
- 6. Side Outer Panel (LH/RH)**
- 7. Front Bumper**
- 8. Rear Bumper**
- 9. Engine [G 2.0 DOHC MPI NU PE]  
[G 1.6 DOHC T-GDI Gamma II]**
- 10. Transmission [CVT, 8AT]**



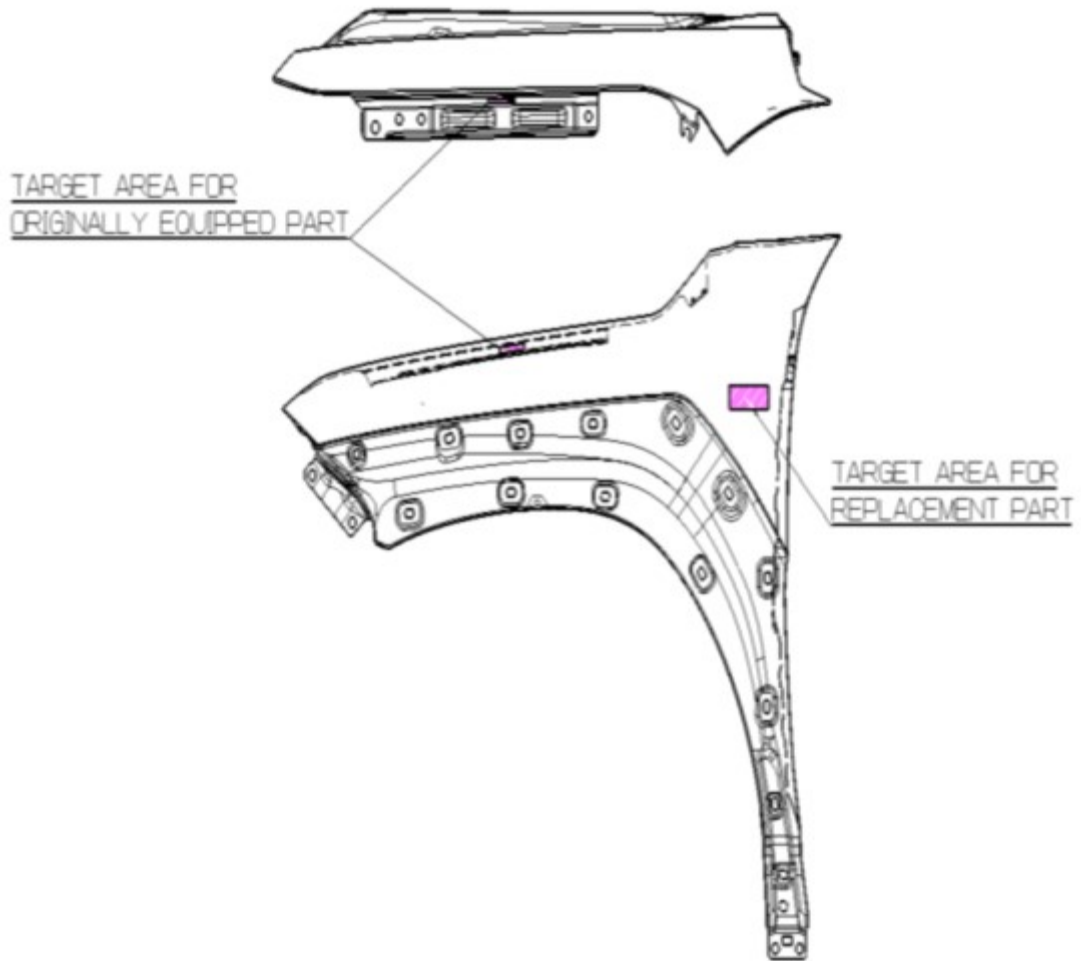
# Hood



# Tailgate

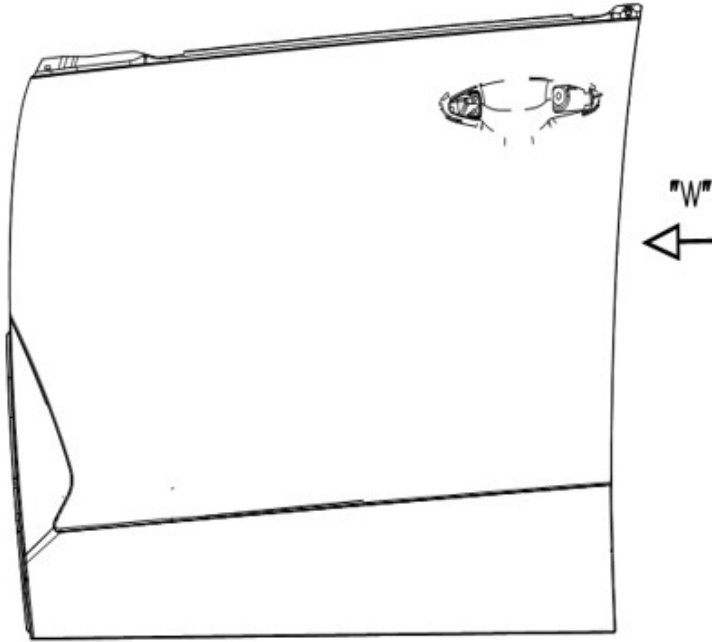


# Front Fender (LH/RH)

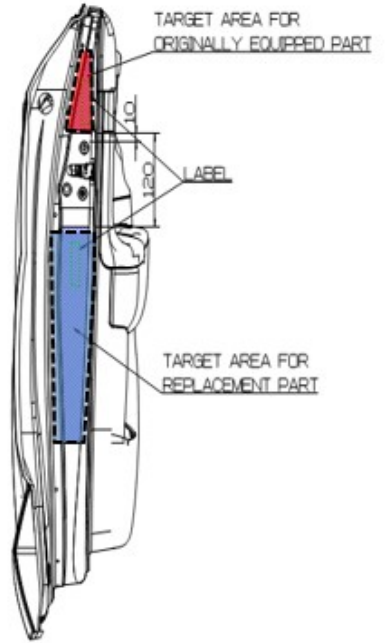


(PNL-FENDER, L/R)

# Front Door (LH/RH)

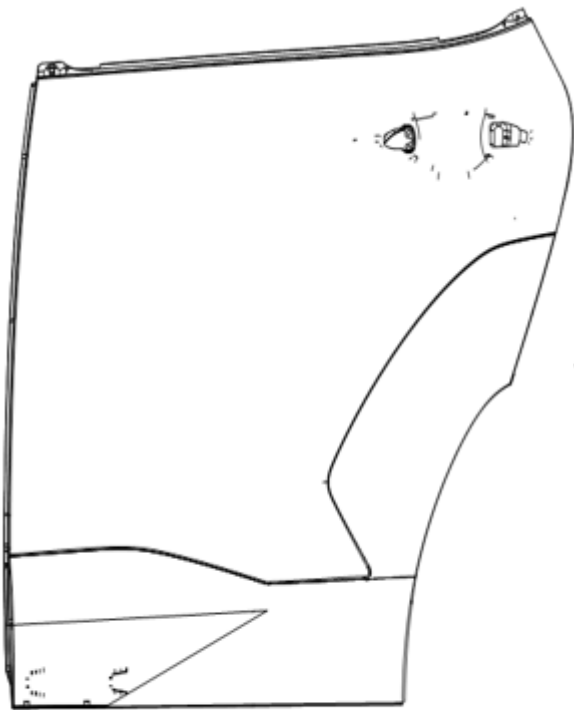


(PNL ASSY-FR DR, L/R)

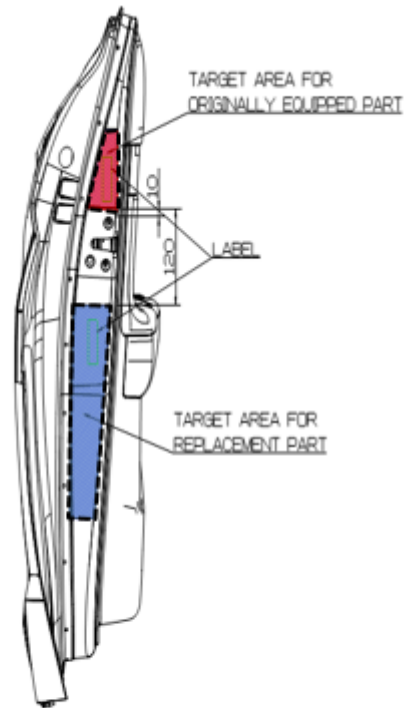


VIEW W

# Rear Door (LH/RH)

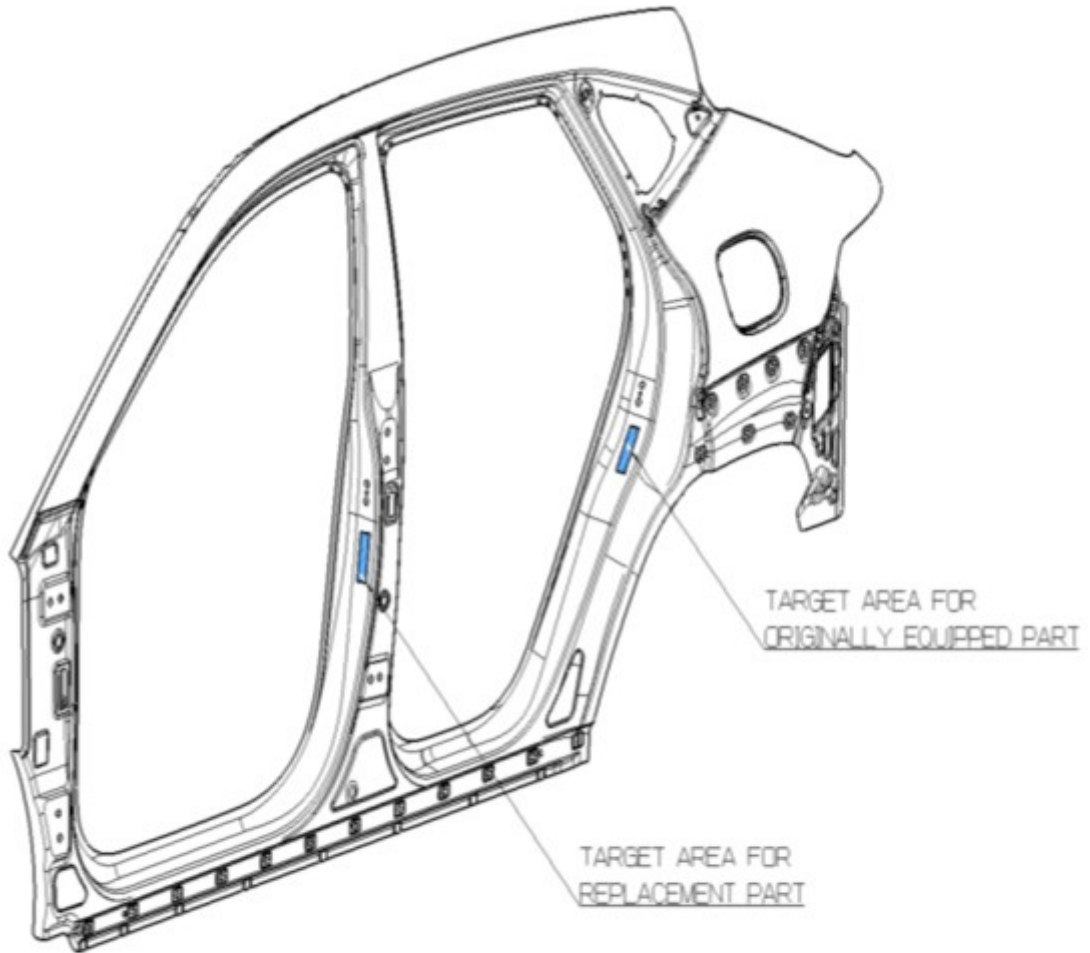


(PNL ASSY-RR DR, L/R)



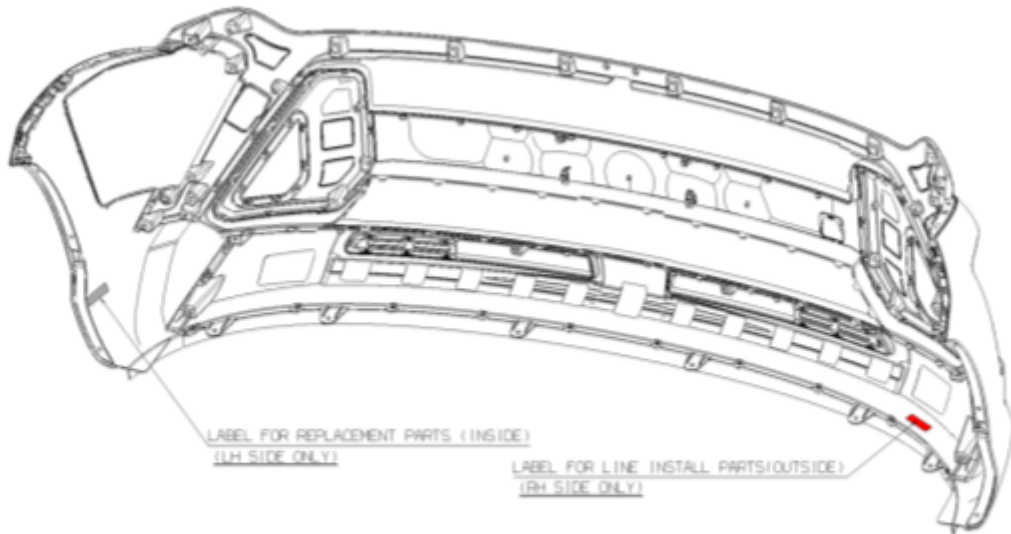
VIEW V

## Side Outer Panel (LH/RH)

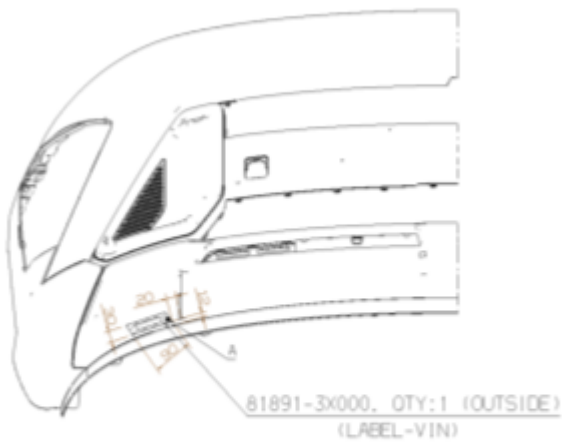


(PNL-SIDE OTR, L/R)

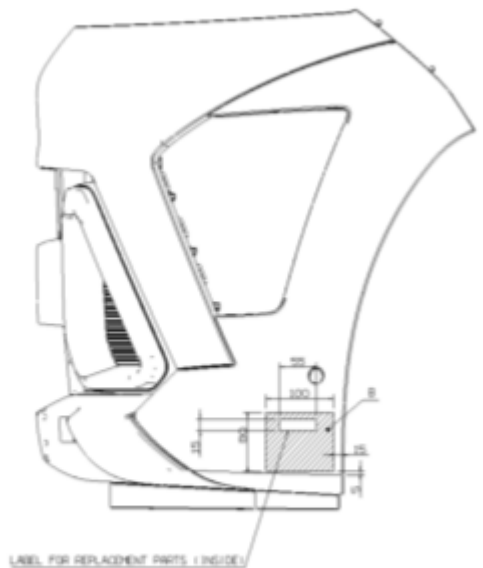
# Front Bumper



QTR VIEW



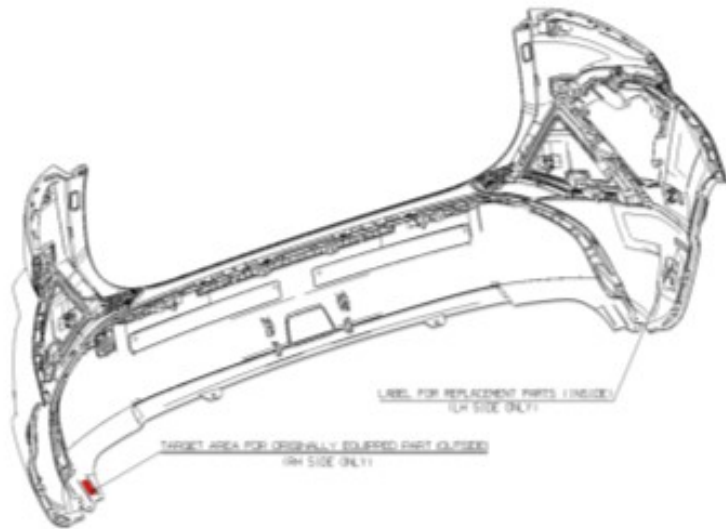
QTR VIEW



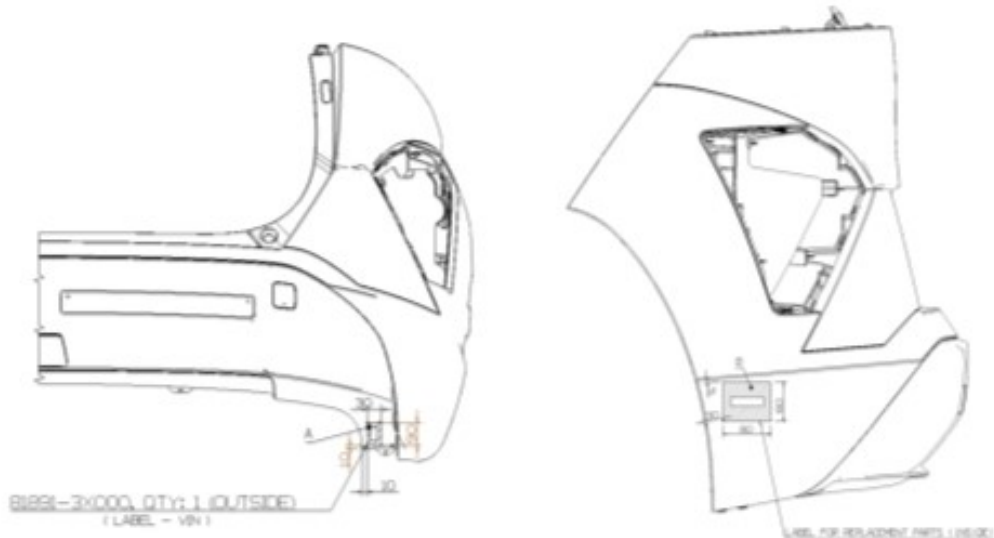
SIDE VIEW



# Rear Bumper



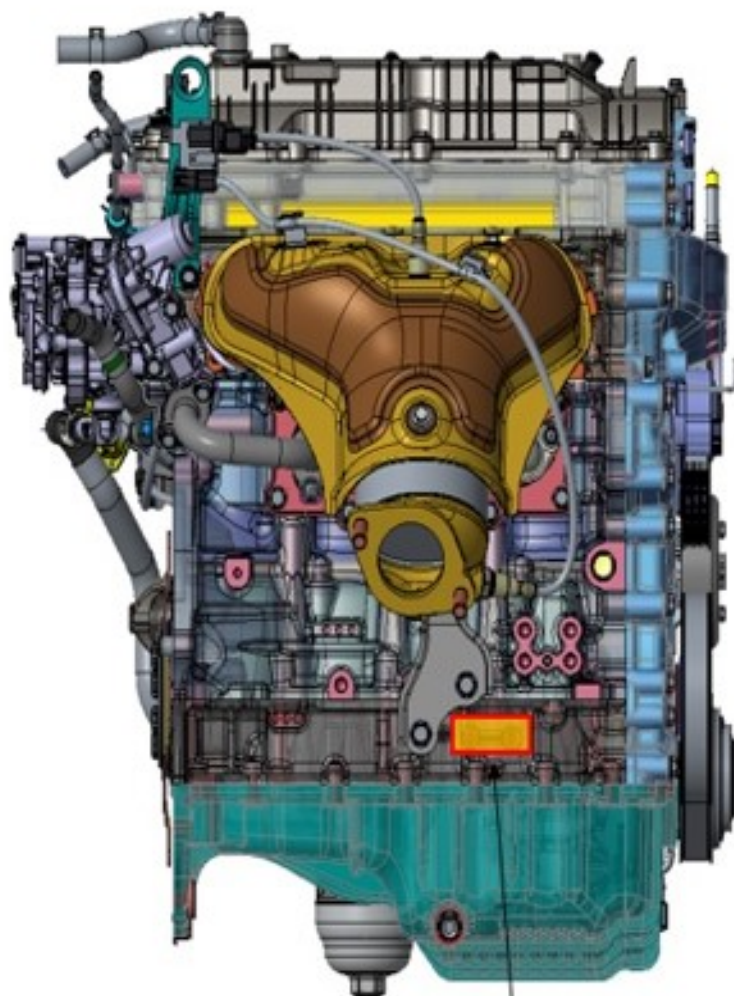
QTR VIEW



QTR VIEW

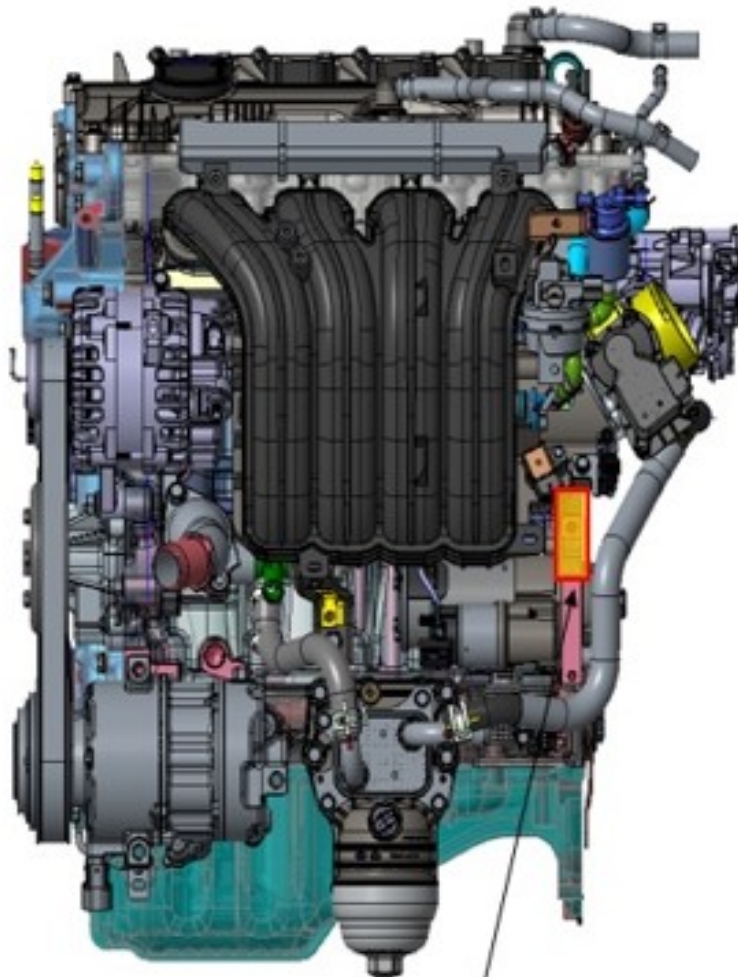
SIDE VIEW

## Engine (2.0 MPI\_1 of 2)



**TARGET AREA FOR  
ORIGINALLY EQUIPPED PART**

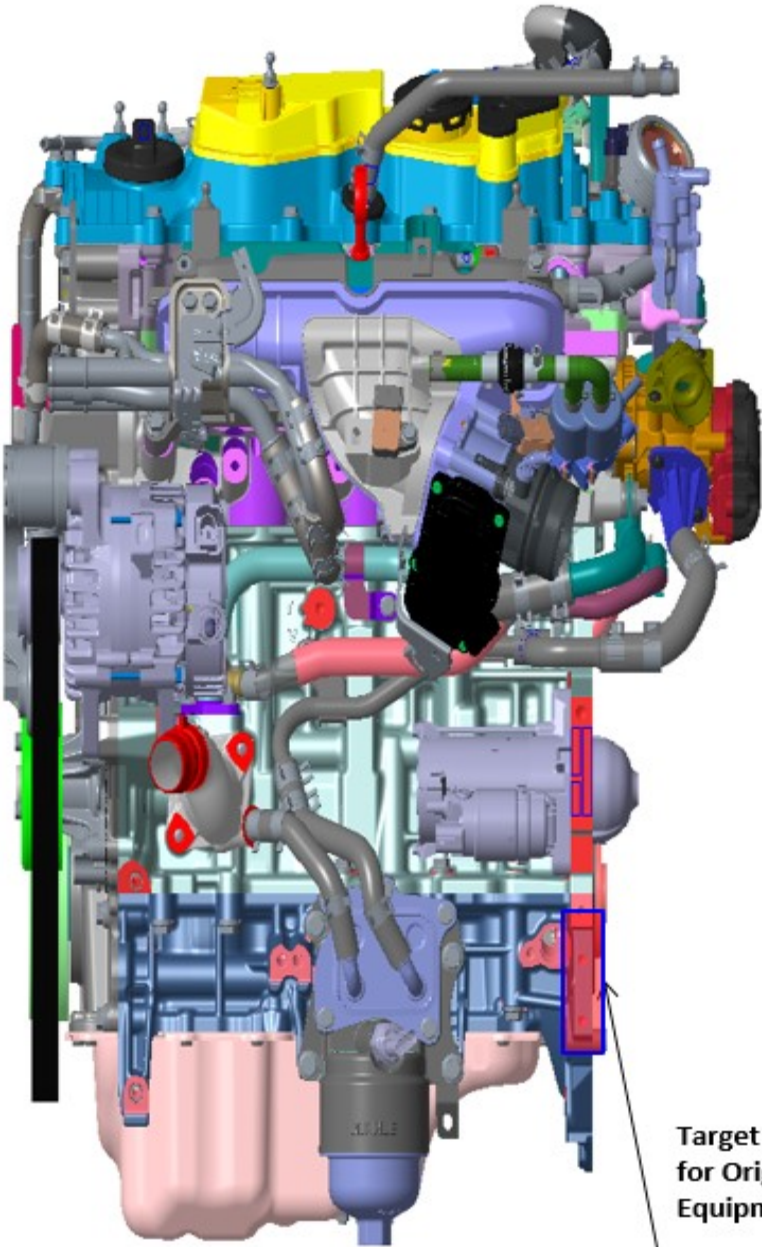
## Engine (2.0 MPI\_2 of 2)



TARGET AREA FOR  
REPLACEMENT PART

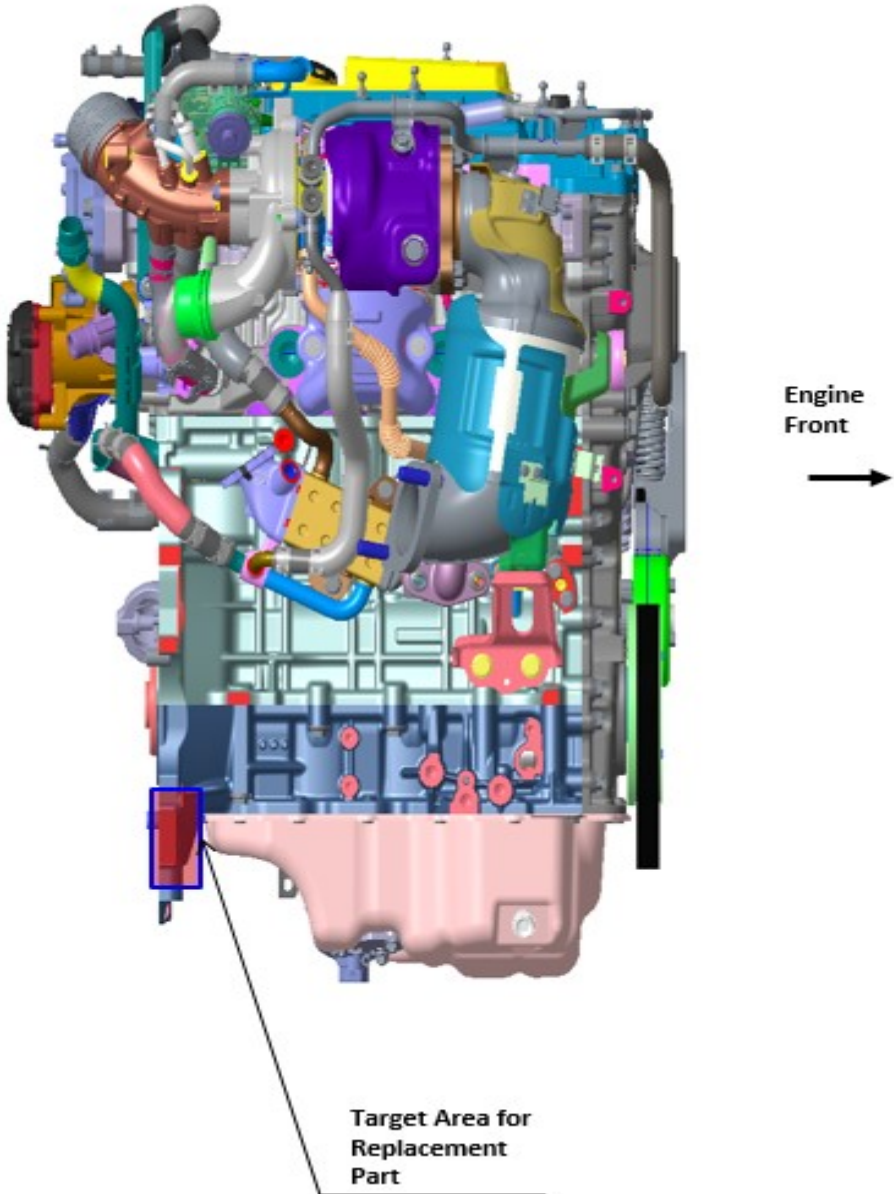
# Engine (GAMMA II 1.6 T-GDI\_1 of 2)

Engine  
Front

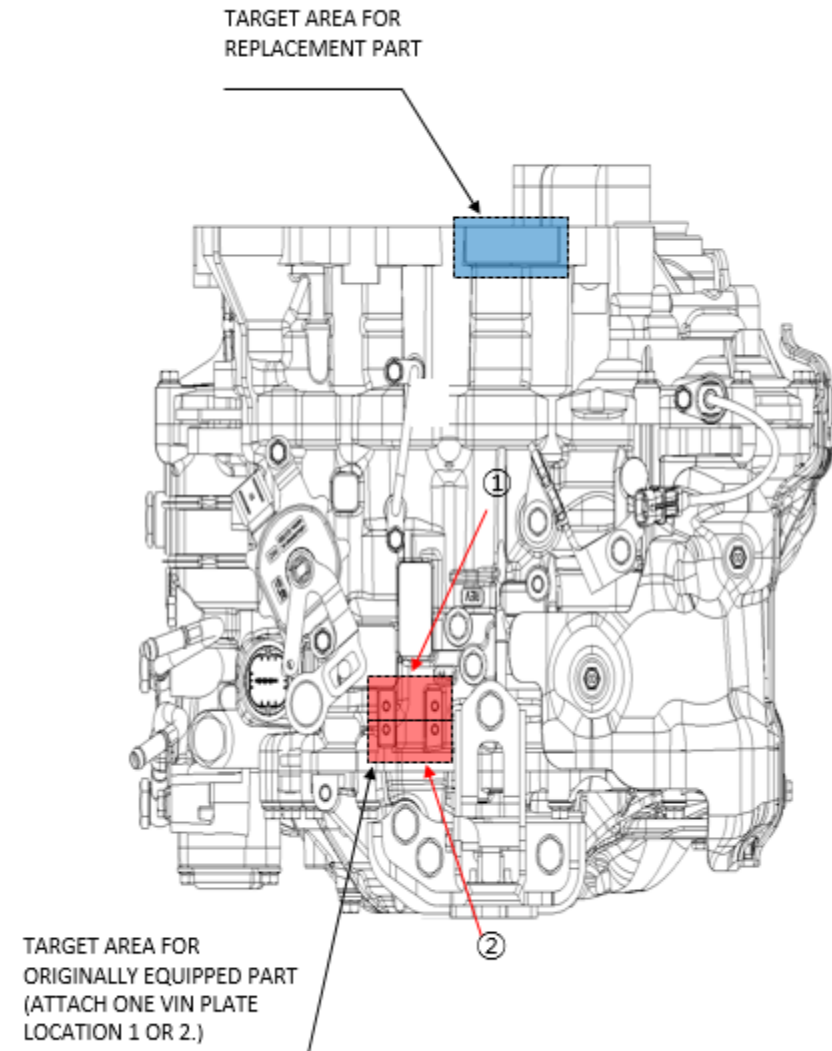


Target Area (V.I.N.)  
for Original  
Equipment Part

Engine (GAMMA II 1.6 T-GDI\_2 of 2)

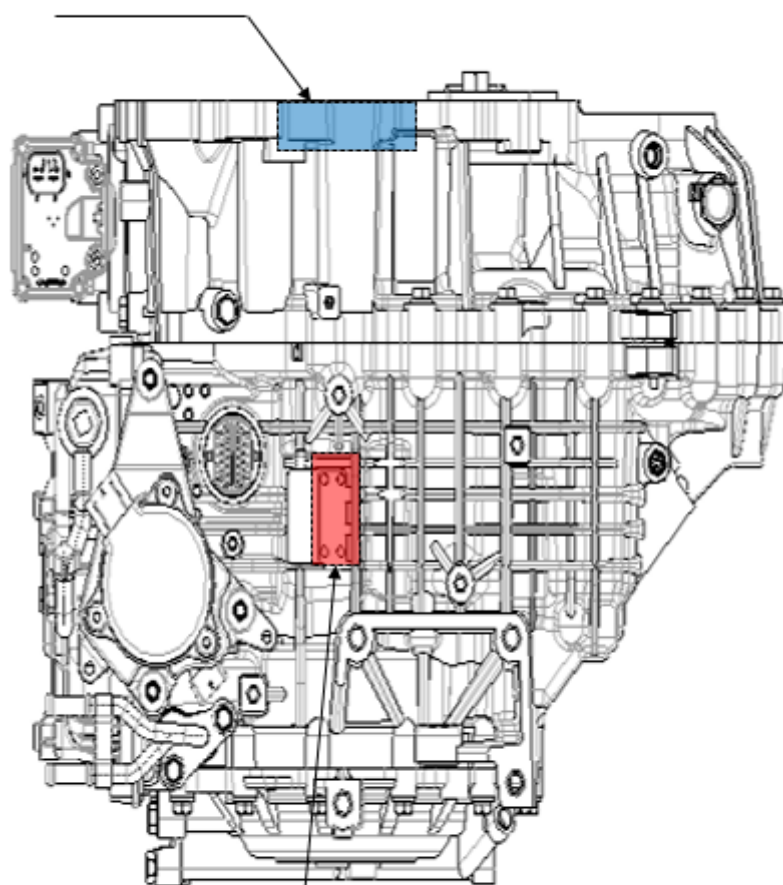


# Transmission (CVT)



# Transmission (8AT)

TARGET AREA FOR  
REPLACEMENT PART



TARGET AREA FOR  
ORIGINALLY EQUIPPED PART