

April 3, 2023
Our Ref: W-2304-A

Docket Management Facility
U.S. Department of Transportation
1200 New Jersey Avenue, S.E.
West Building, Ground Floor, Room W12-140
Washington, D.C. 20590-0001

Re: 2024 Model Year GT-R and GT-R NISMO Theft Target Areas
Docket No. NHTSA-2009-0069

Nissan North America, Inc. on its behalf, and on behalf of Nissan Motor Company, Ltd., of Yokohama, Japan ("Nissan") hereby transmits the enclosed supplemental information for the 2024 model year Nissan GT-R and GT-R NISMO pursuant to 49 CFR Part 541.5(e)(2) and 49 CFR Part 541.6(e)(3). The attached drawing identifies the location of the rear bumper theft target areas beginning with 2024 model year vehicles.

Sincerely,



Zhigang (Wayne) Wen
Senior Engineer, Safety
Government Affairs
Nissan North America, Inc.

Enclosure

Attachment I: 2024 Model Year Nissan GT-R and GT-R NISMO Theft Target Areas (Supplemental Information)

Attachment I

2024 Model Year Nissan GT-R and GT-R NISMO
Theft Target Area (Supplemental Information)

NISSAN MOTOR Co., Ltd.

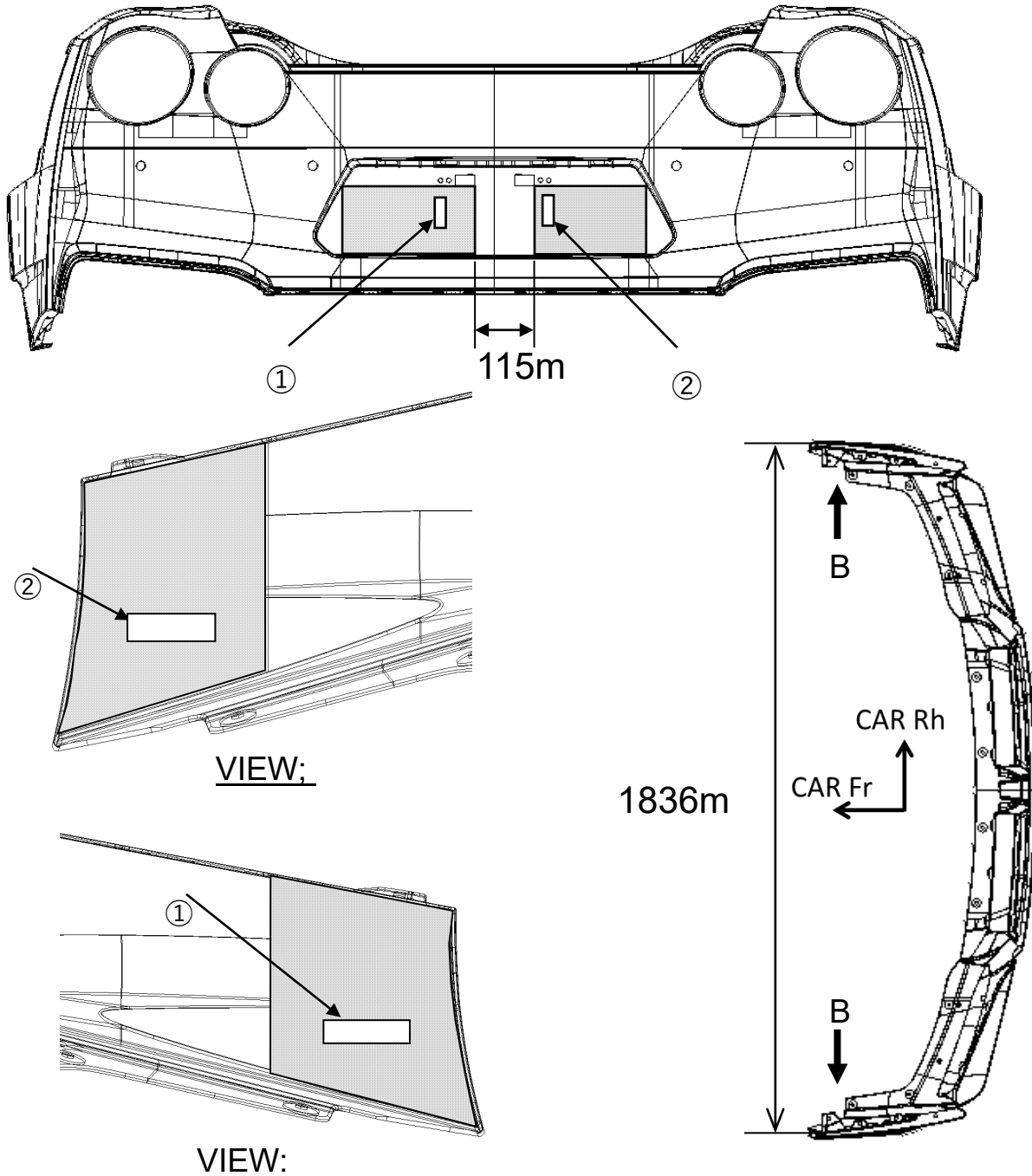
Drawing No.: 9

Model: GTR

① Target Area: Production Parts

Part: Rear bumper ((a)(12))

② Target Area: Replacement Parts



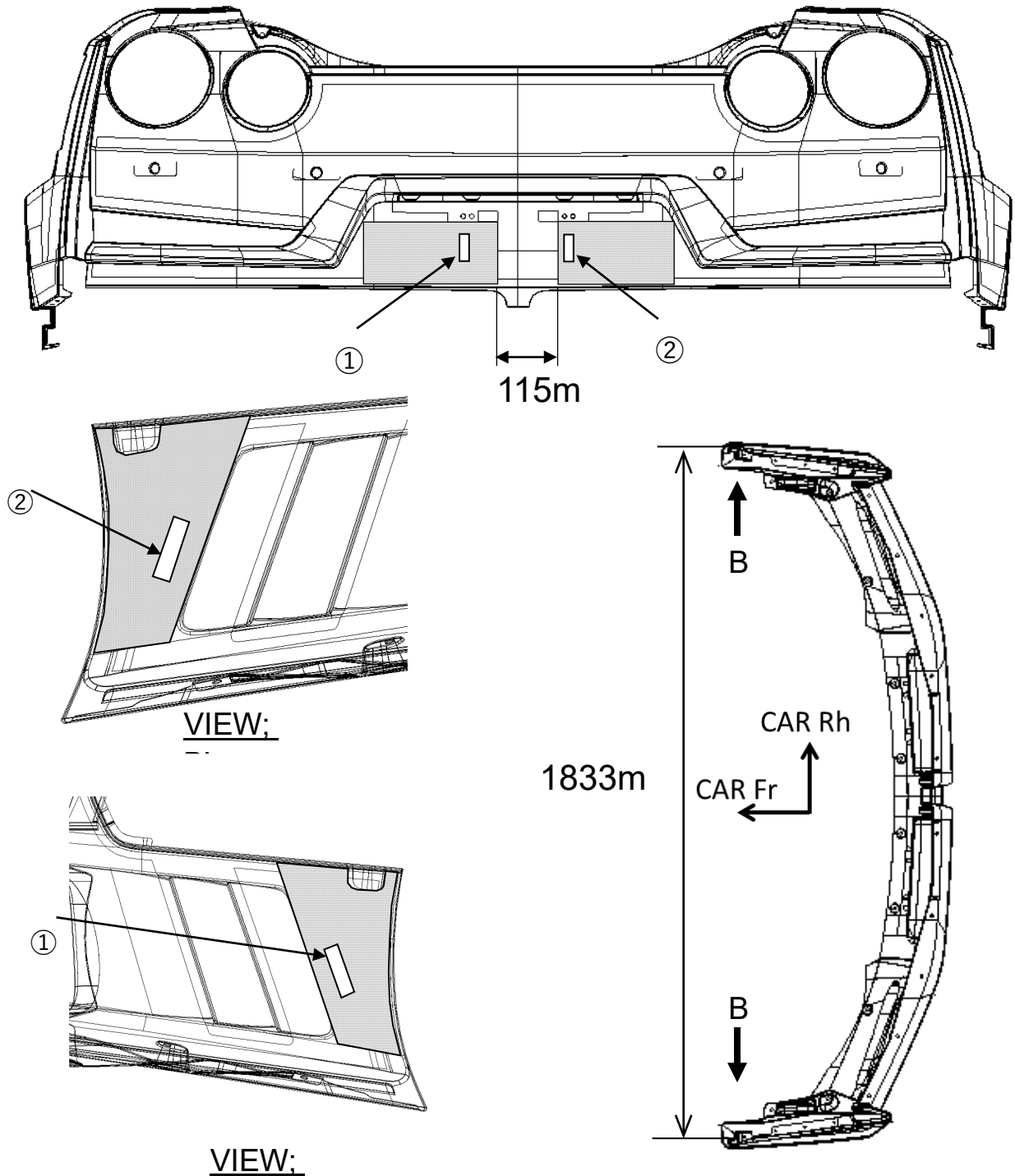
Distance between ① and ② is more than 100mm

Model: GTR NISMO

① Target Area: Production Parts

Part: Rear bumper ((a)(12))

② Target Area: Replacement Parts



Distance between ① and ② is more than 100mm