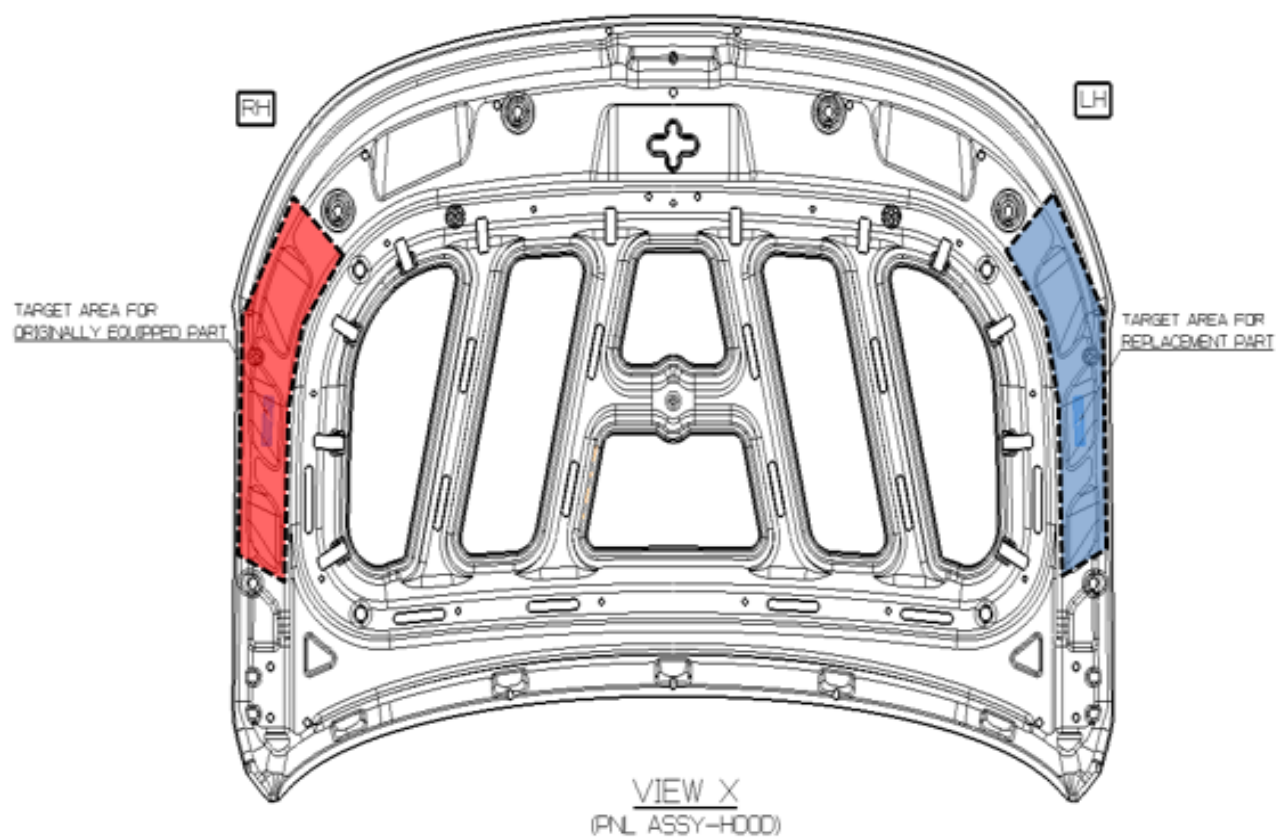


VIN marking area for Kona model

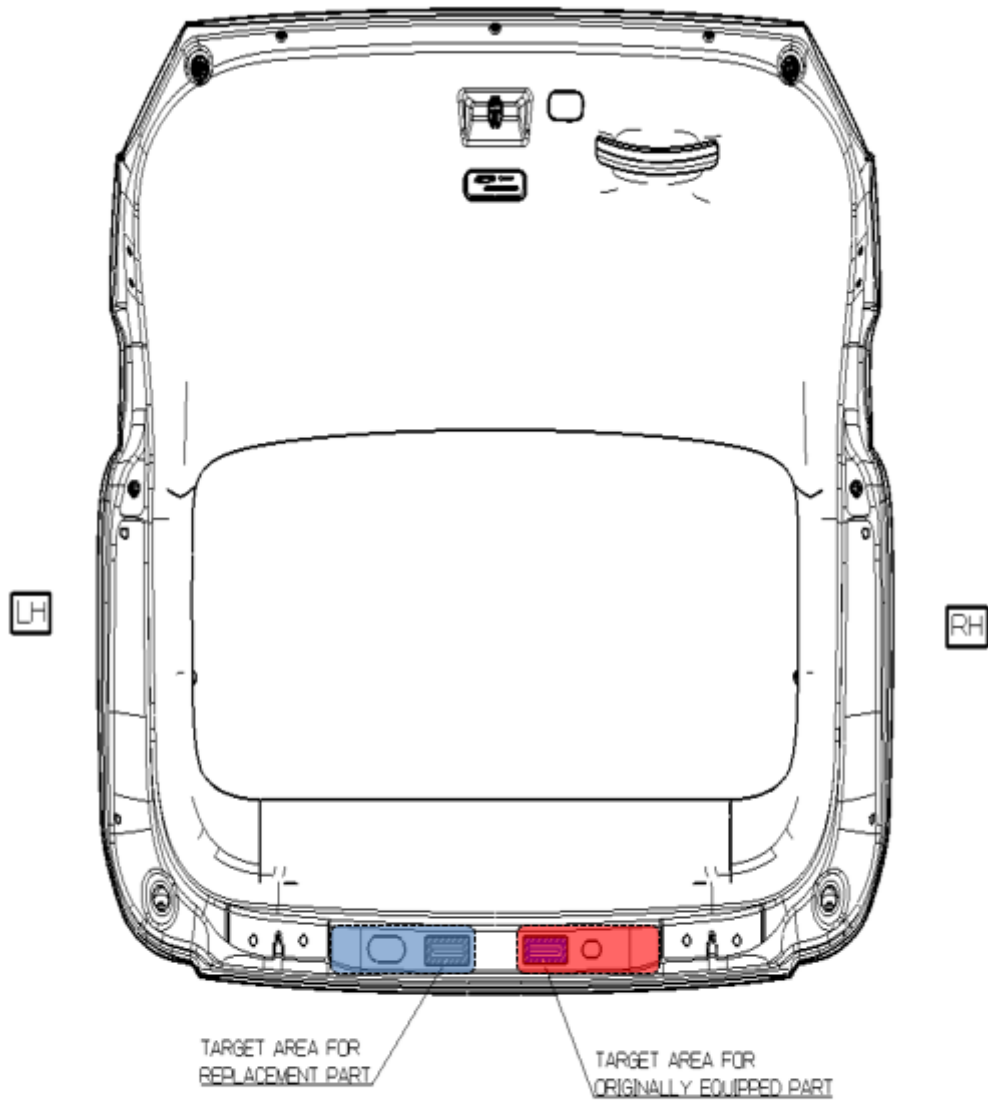
- 1. Hood**
- 2. Tail Gate**
- 3. Front Fender (LH/RH)**
- 4. Front Door (LH/RH)**
- 5. Rear Door (LH/RH)**
- 6. Side Outer Panel (LH/RH)**
- 7. Front Bumper**
- 8. Rear Bumper**
- 9. Engine [G 2.0 DOHC MPI NU PE]
[G 1.6 DOHC T-GDI Gamma II]**
- 10. Transmission [CVT, 8AT]**



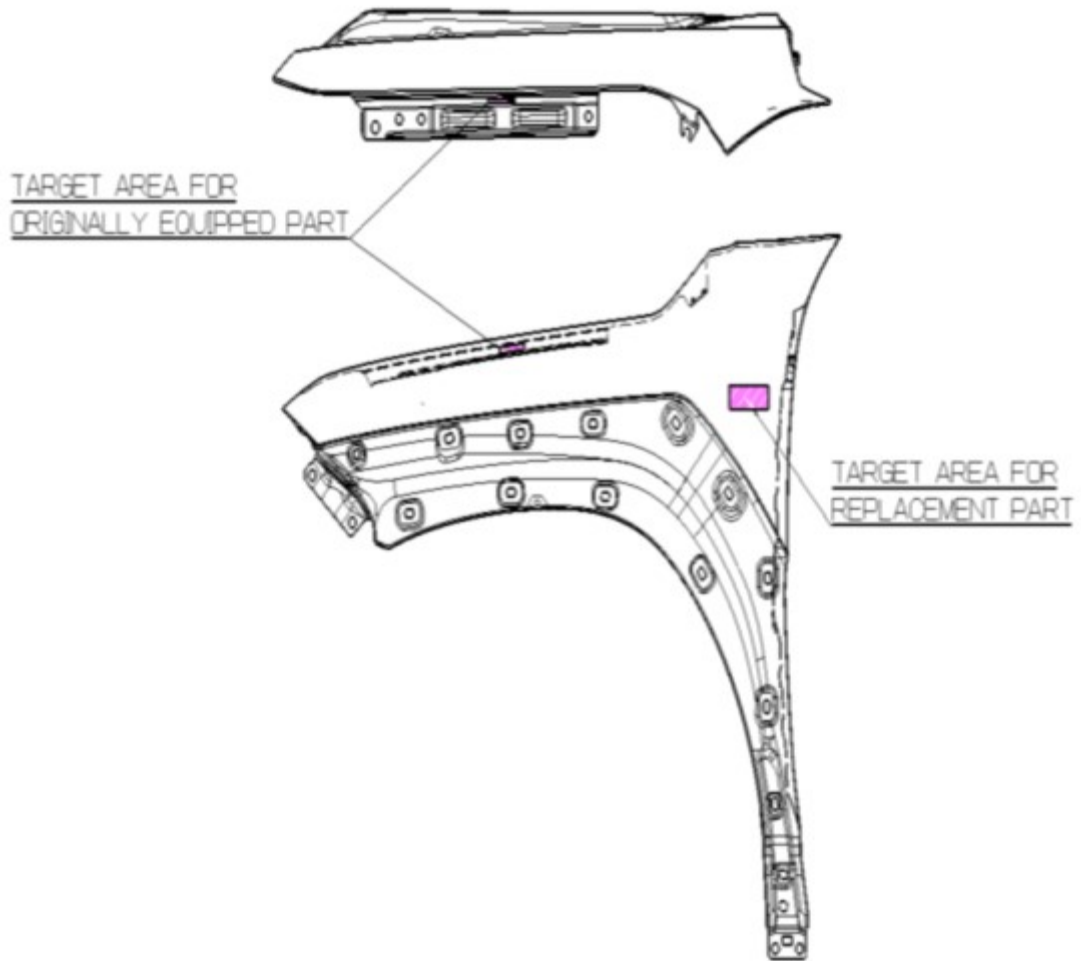
Hood



Tailgate

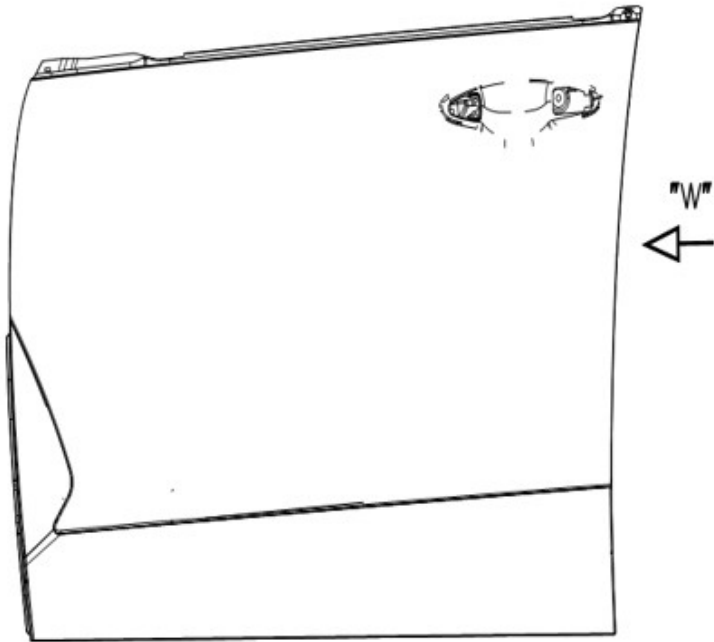


Front Fender (LH/RH)

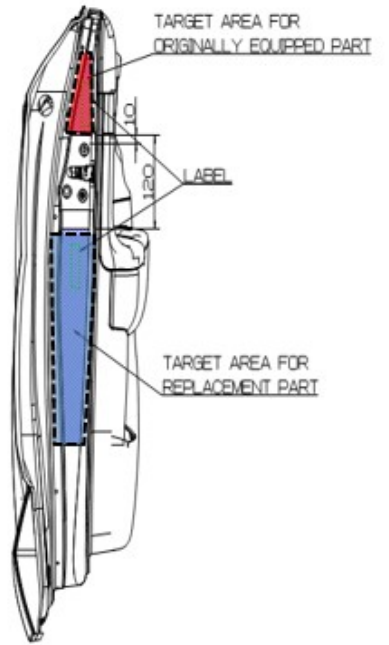


(PNL-FENDER, L/R)

Front Door (LH/RH)

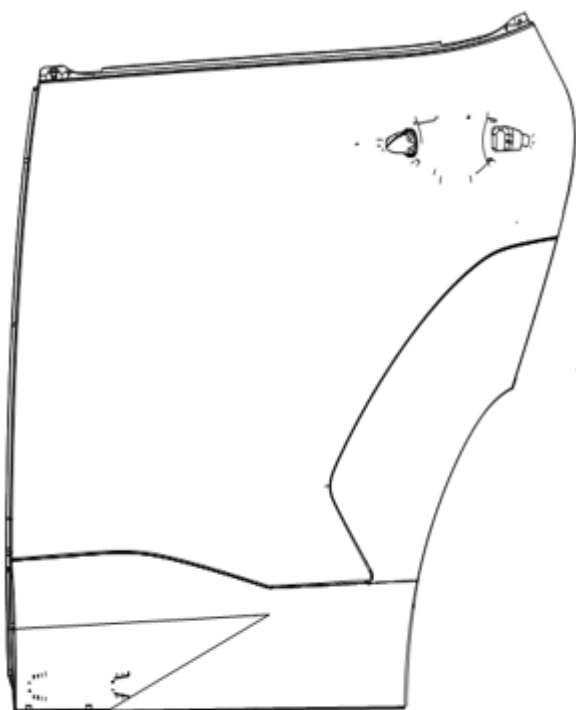


(PNL ASSY-FR DR, L/R)

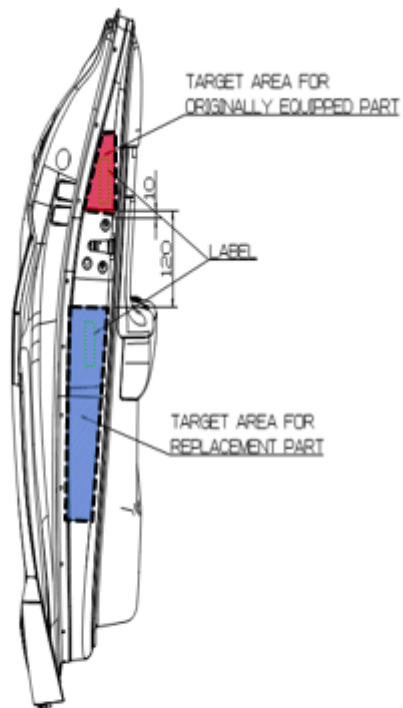


VIEW W

Rear Door (LH/RH)

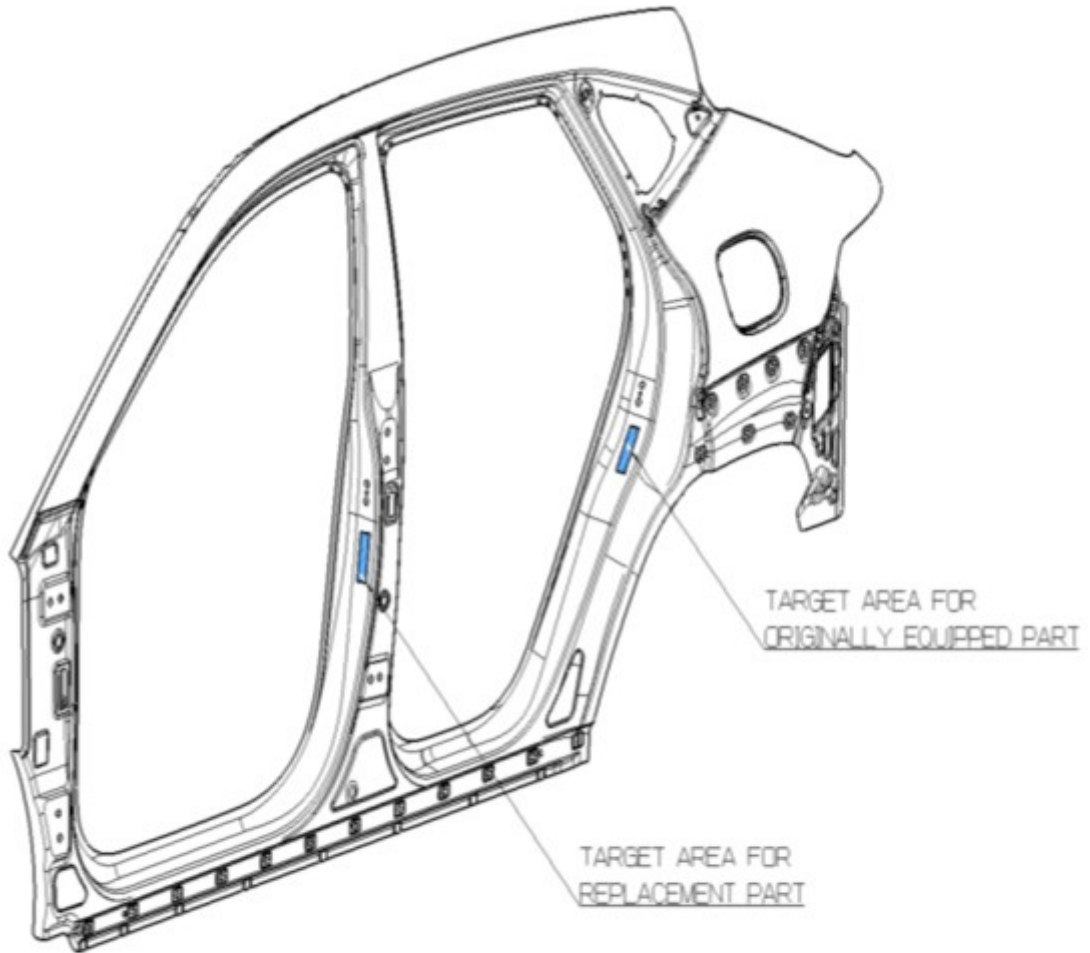


(PNL ASSY-RR DR, L/R)



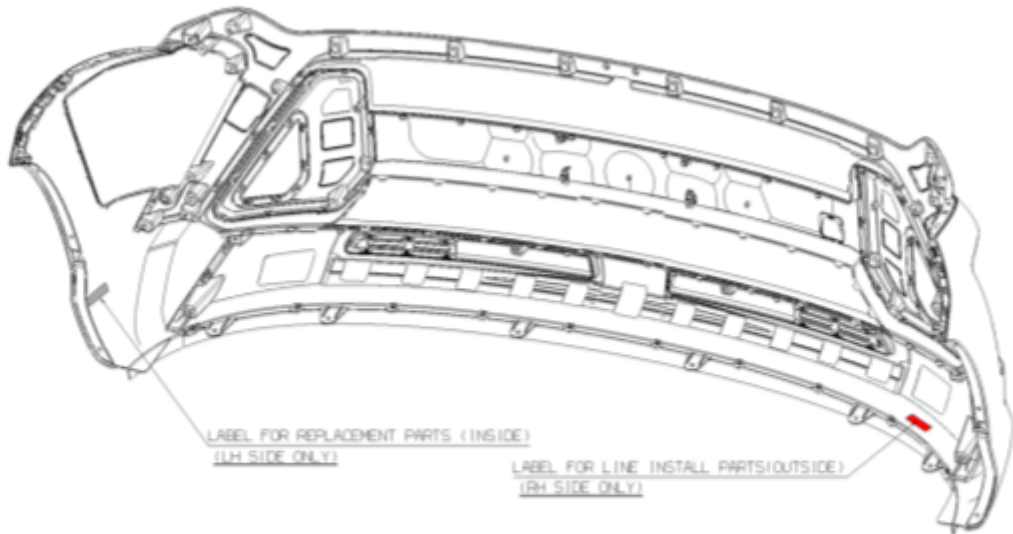
VIEW V

Side Outer Panel (LH/RH)

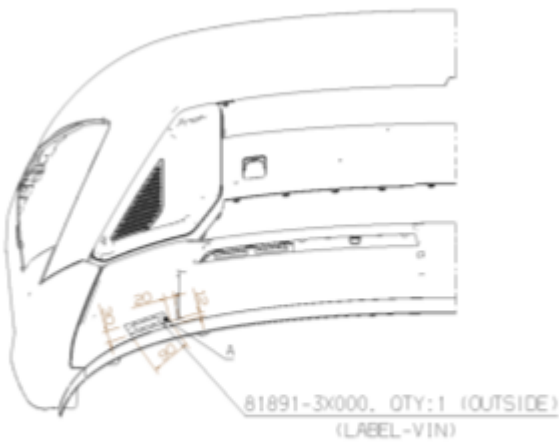


(PNL-SIDE OTR, L/R)

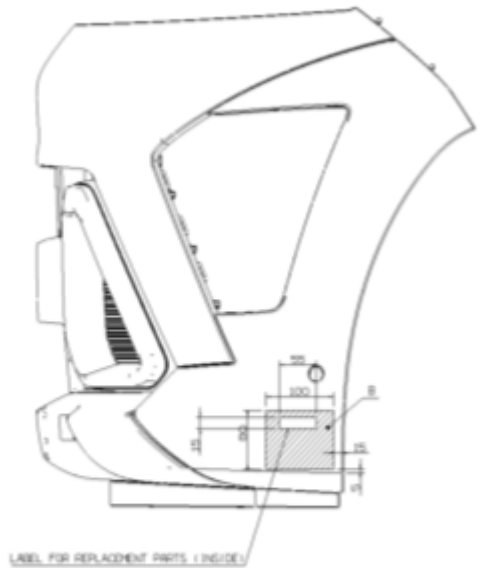
Front Bumper



QTR VIEW

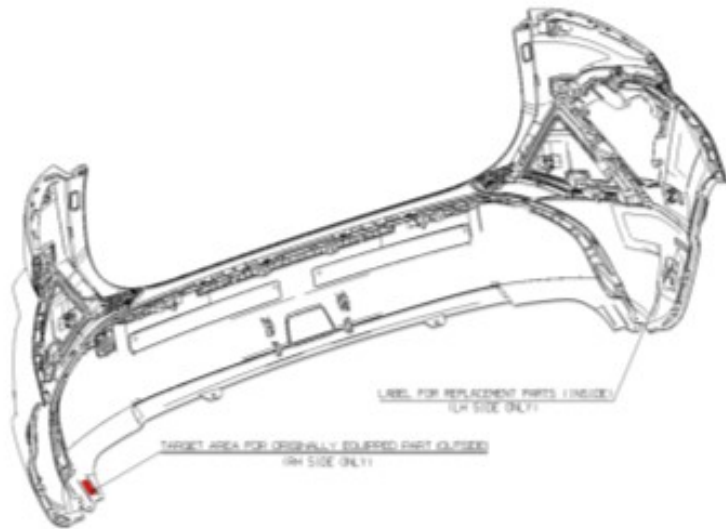


QTR VIEW

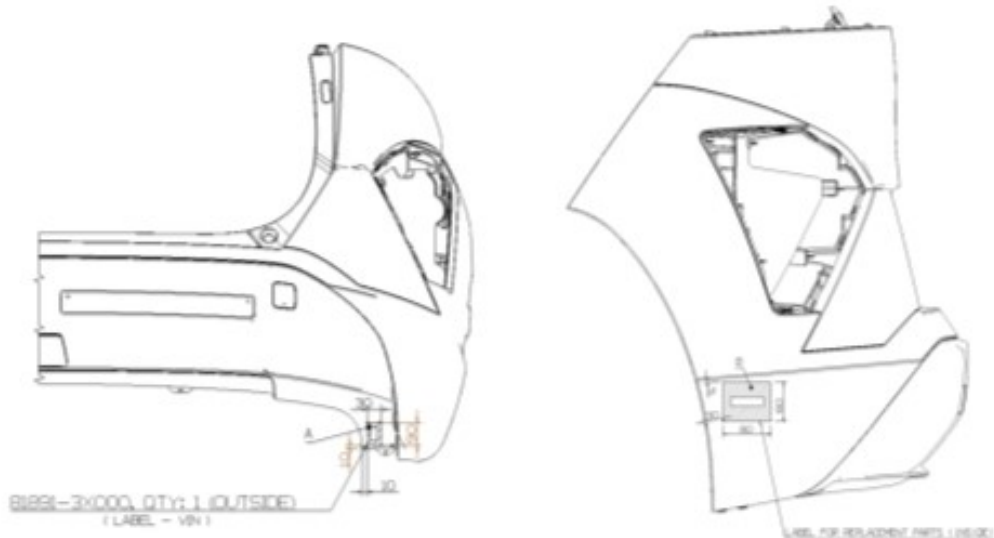


SIDE VIEW

Rear Bumper



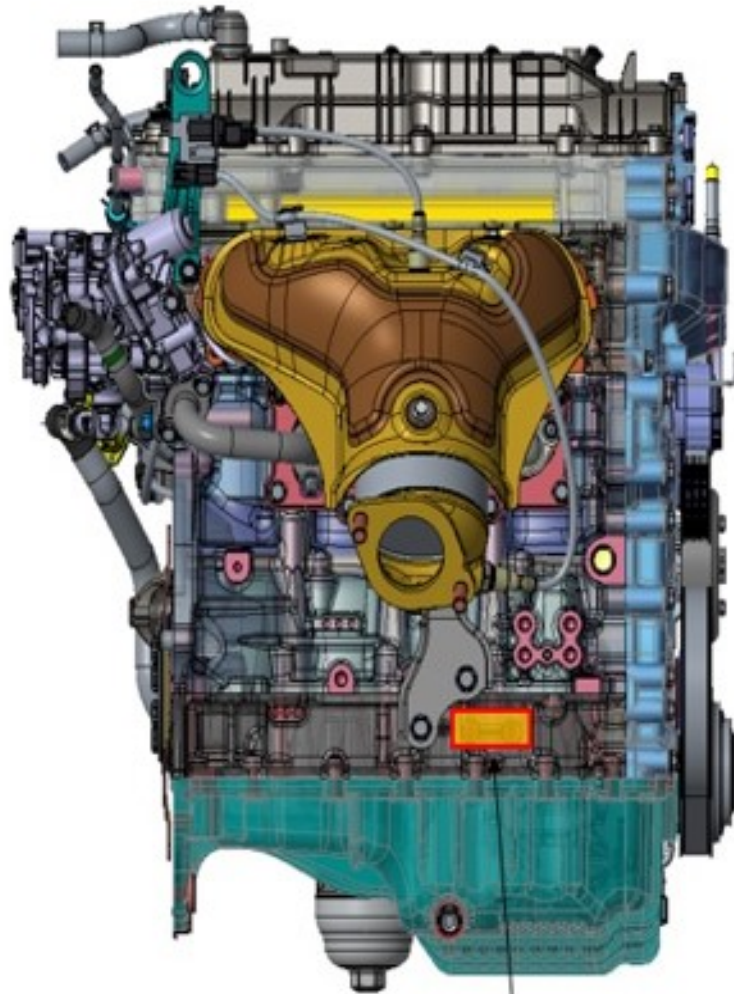
QTR VIEW



QTR VIEW

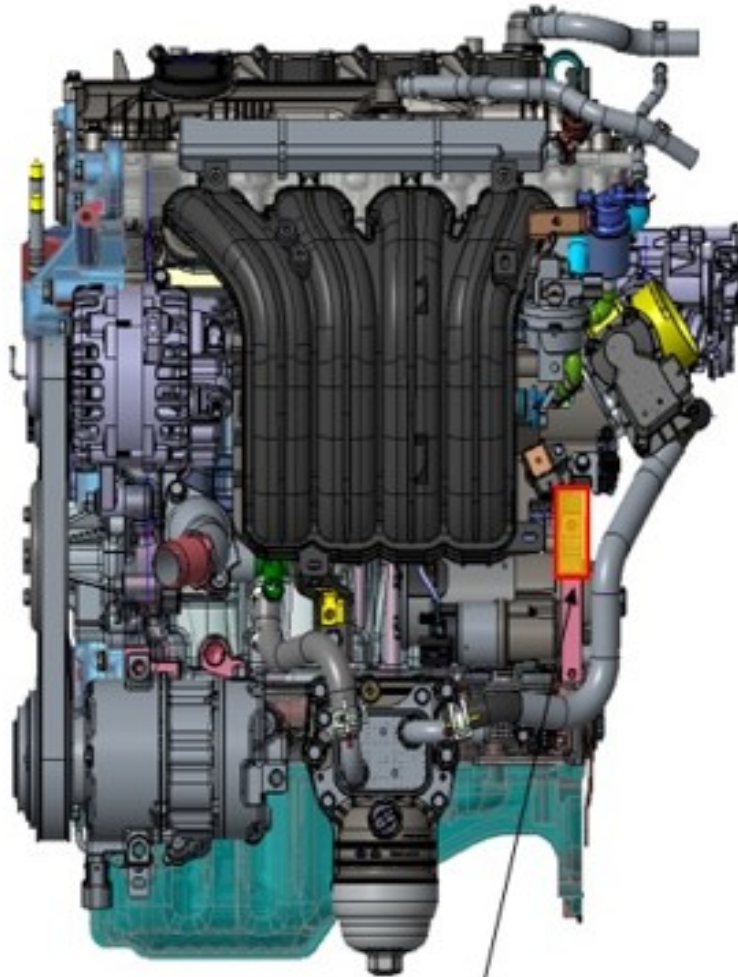
SIDE VIEW

Engine (2.0 MPI_1 of 2)



**TARGET AREA FOR
ORIGINALLY EQUIPPED PART**

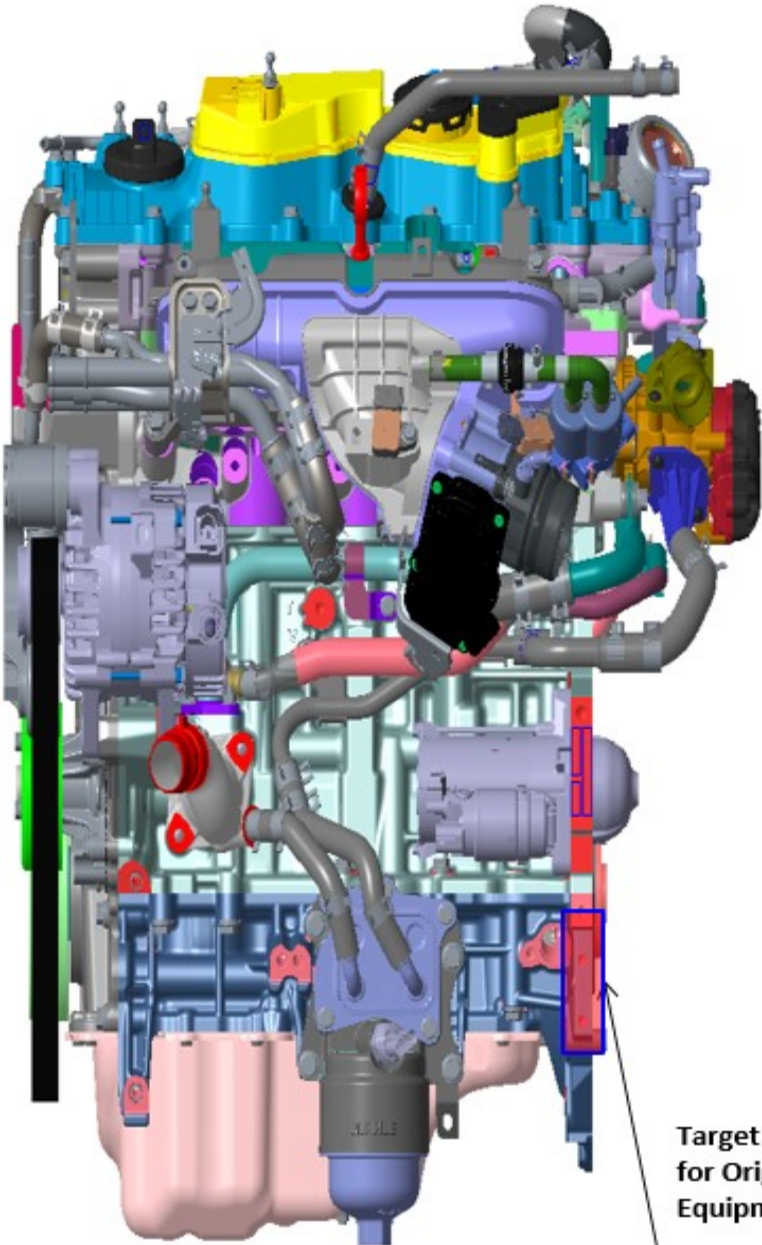
Engine (2.0 MPI_2 of 2)



TARGET AREA FOR
REPLACEMENT PART

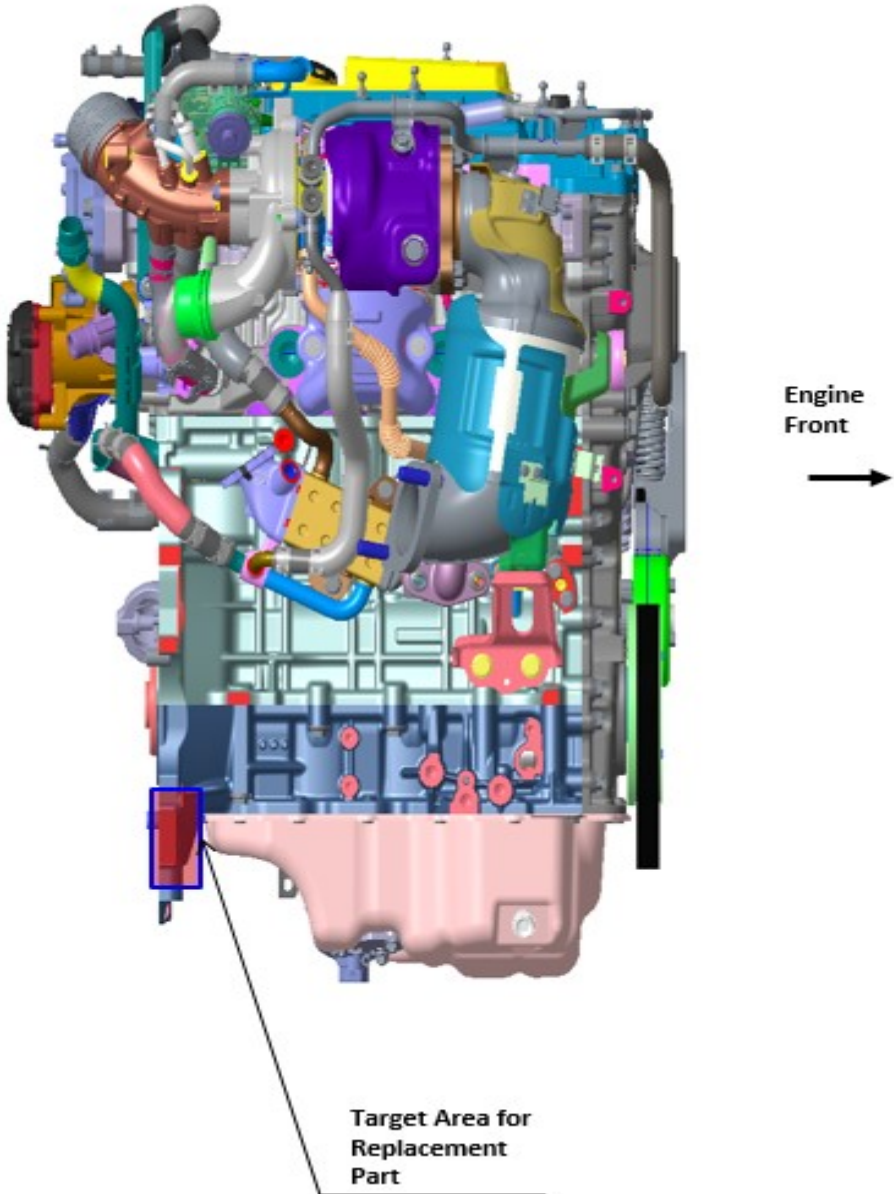
Engine (GAMMA II 1.6 T-GDI_1 of 2)

Engine
Front

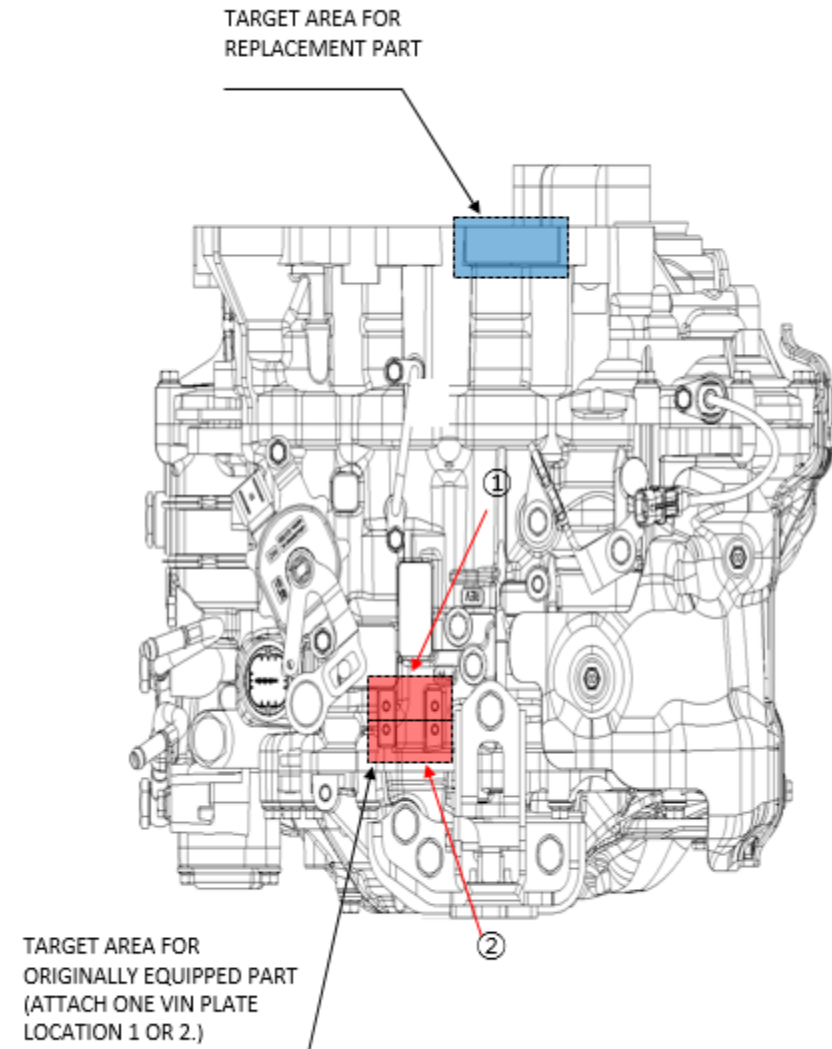


Target Area (V.I.N.)
for Original
Equipment Part

Engine (GAMMA II 1.6 T-GDI_2 of 2)

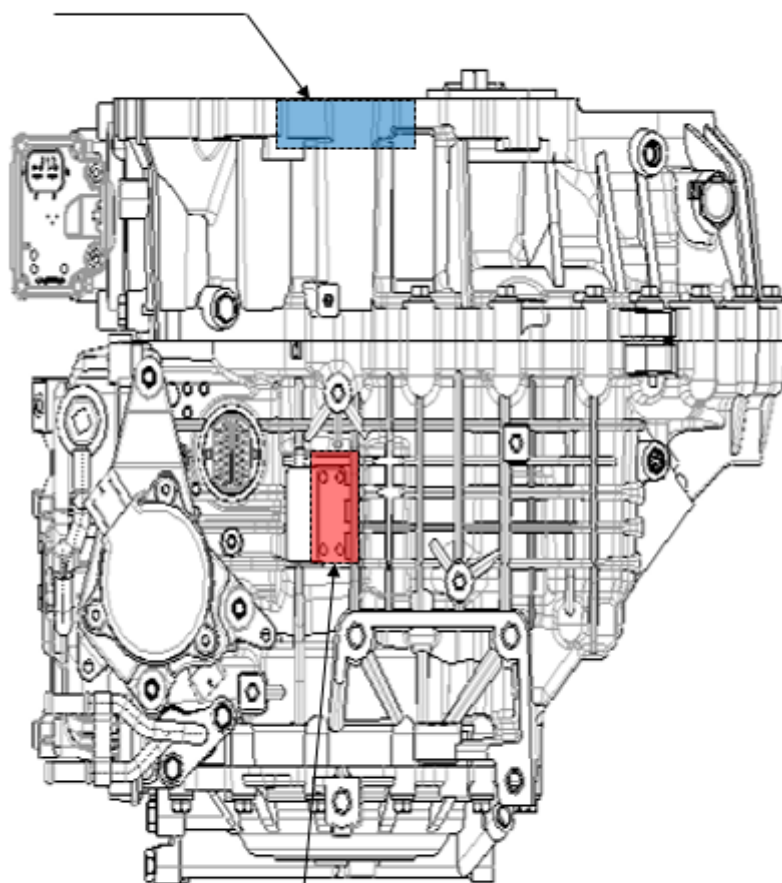


Transmission (CVT)



Transmission (8AT)

TARGET AREA FOR
REPLACEMENT PART



TARGET AREA FOR
ORIGINALLY EQUIPPED PART