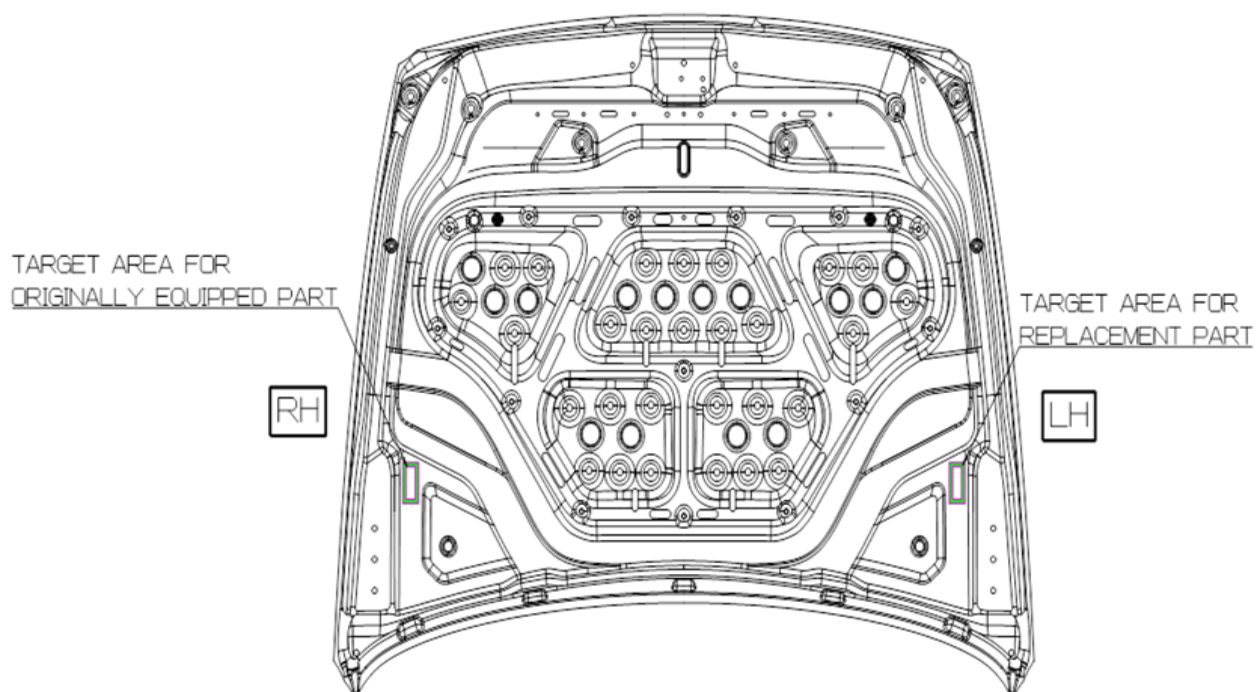


VIN marking area for GV80 model

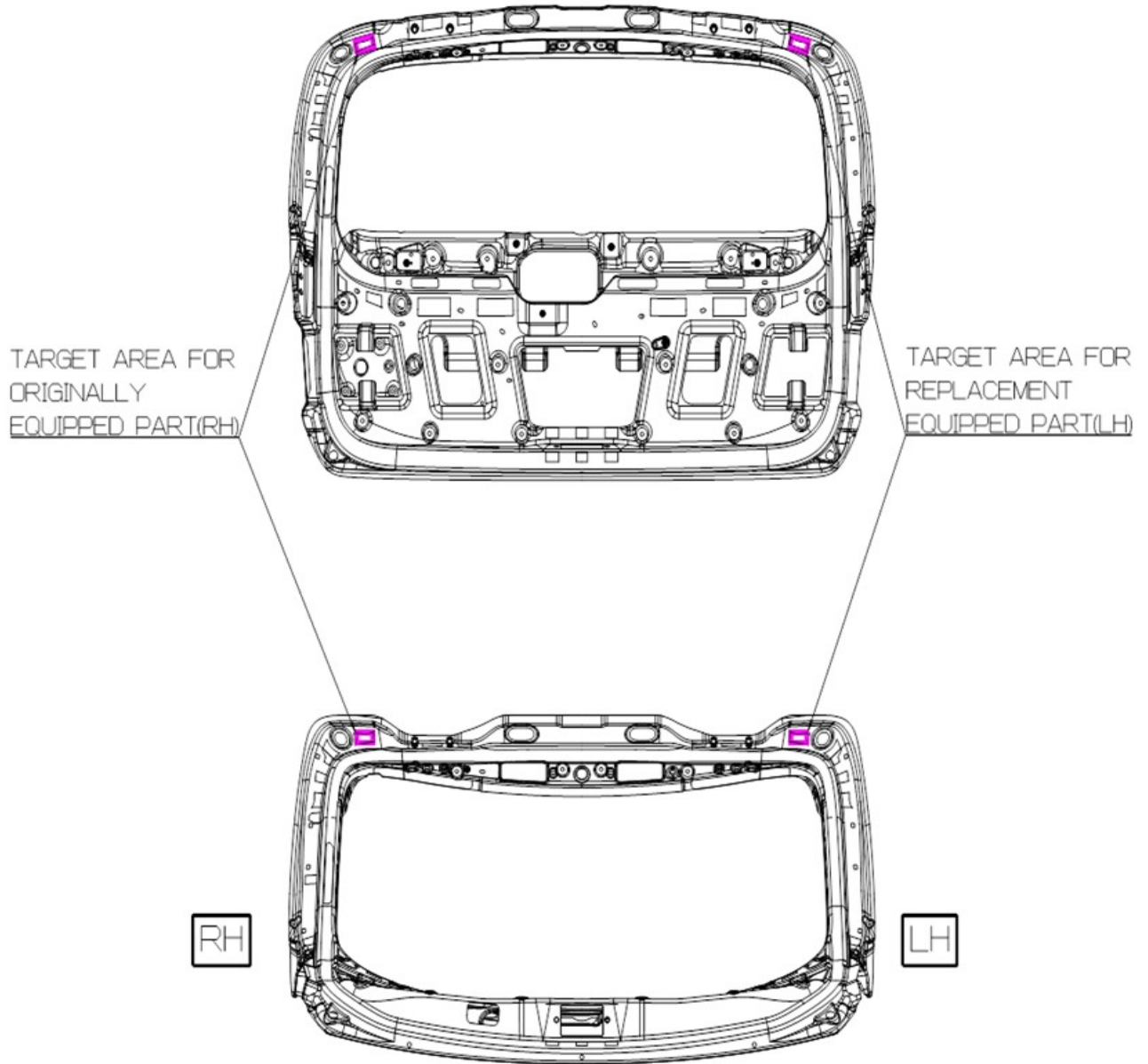
1. Hood
2. Tail Gate
3. Front Fender (LH/RH)
4. Front Door (LH/RH)
5. Rear Door (LH/RH)
6. Side Outer Panel (LH/RH)
7. Front Bumper
8. Rear Bumper
9. Engine (2.5 T-GDI, 3.5 T-GDI)
10. Transmission (AT)



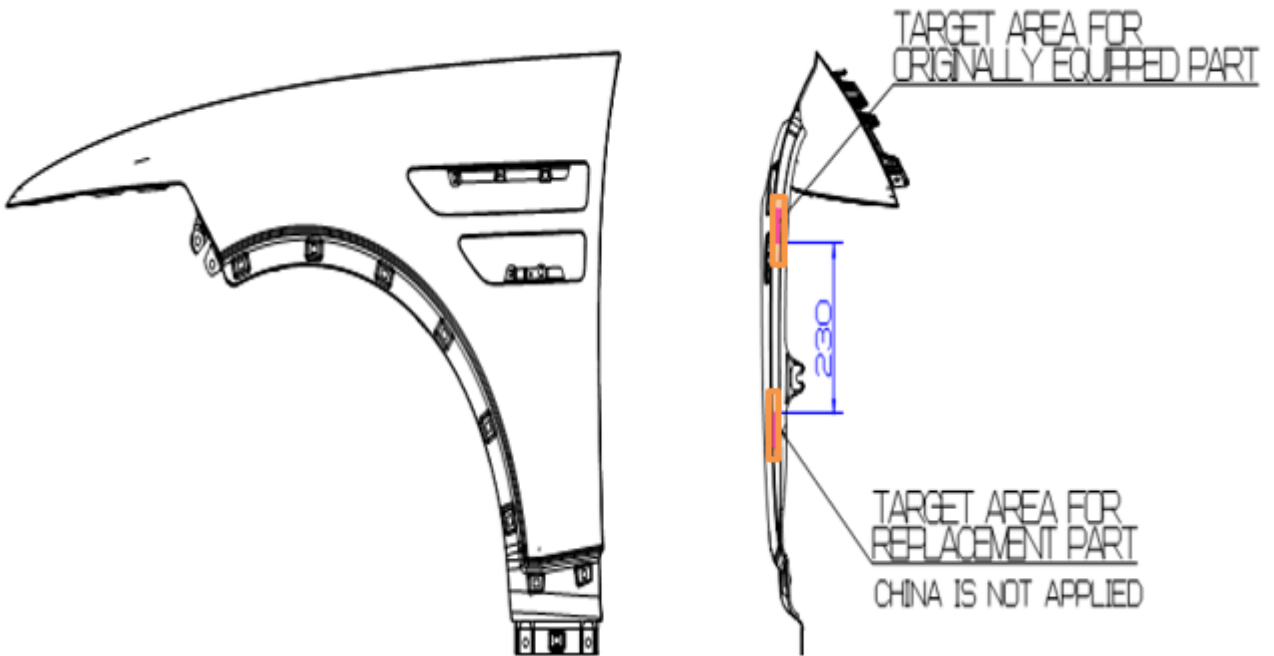
Hood



Tail Gate



Front Fender (LH/RH)



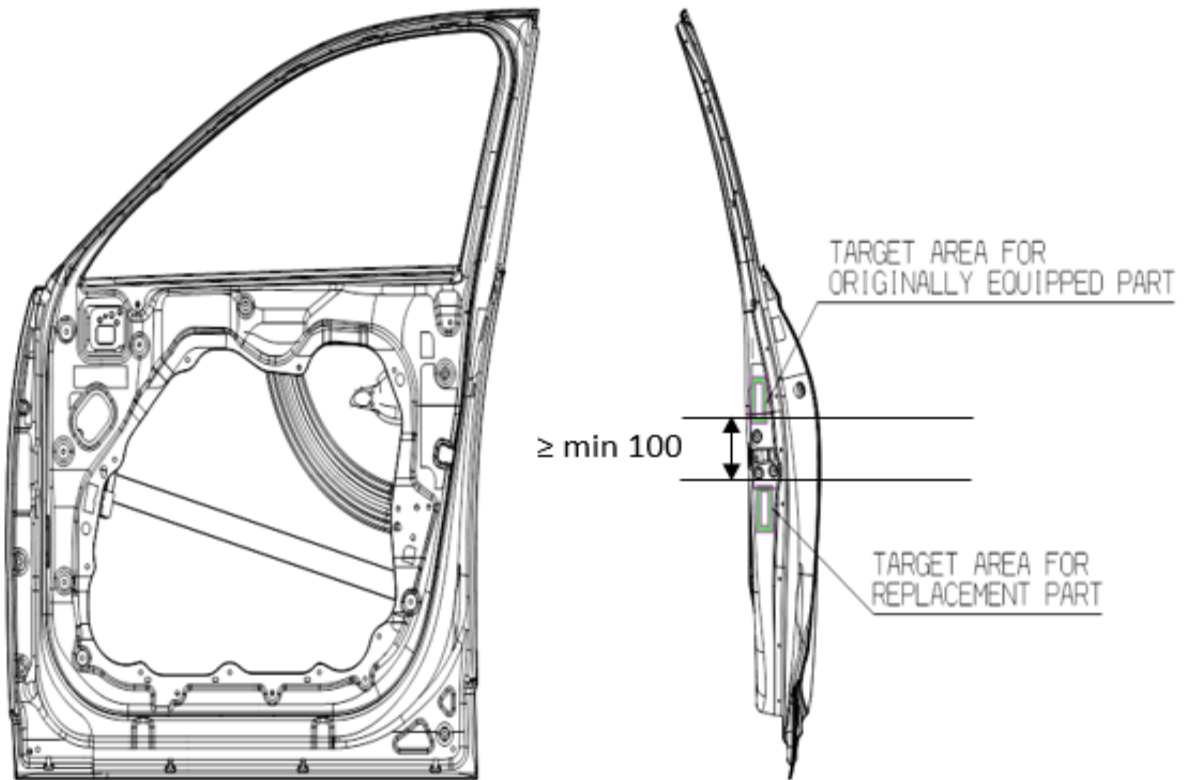
DETAIL Z

PNL ASSY-FENDER

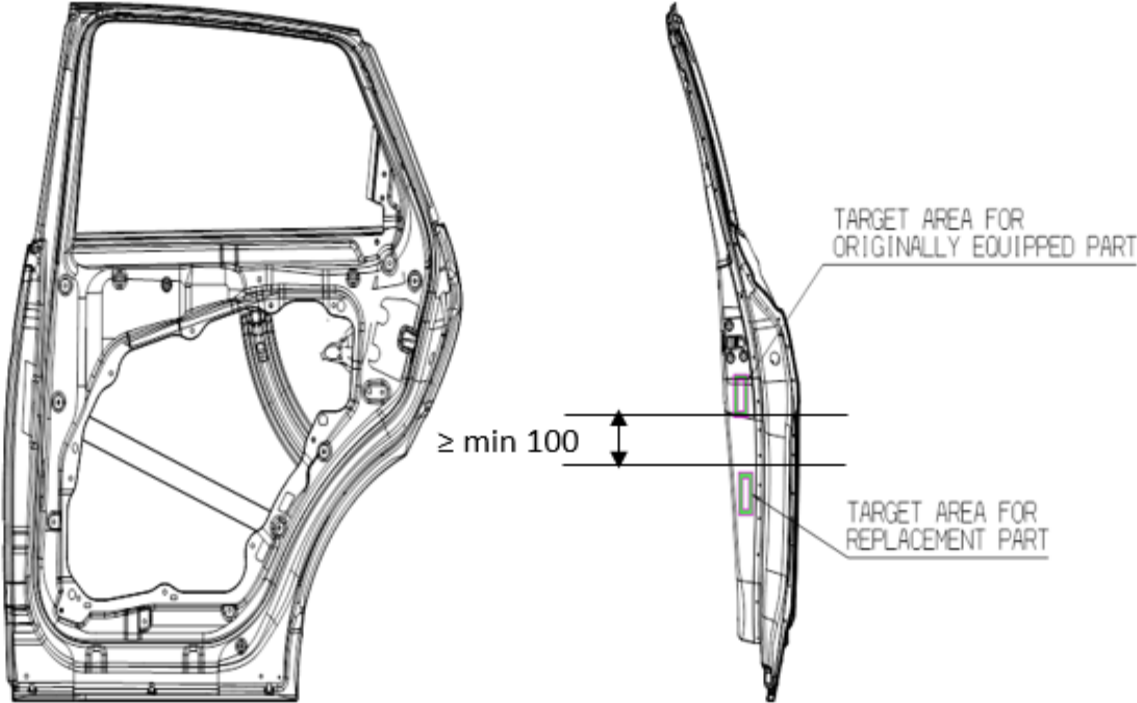
<APPLIED AREA>

- CHINA : PNL ASSY-FENDER, RH
- EXCEPT OF CHINA : PNL ASSY-FENDER, LH/RH

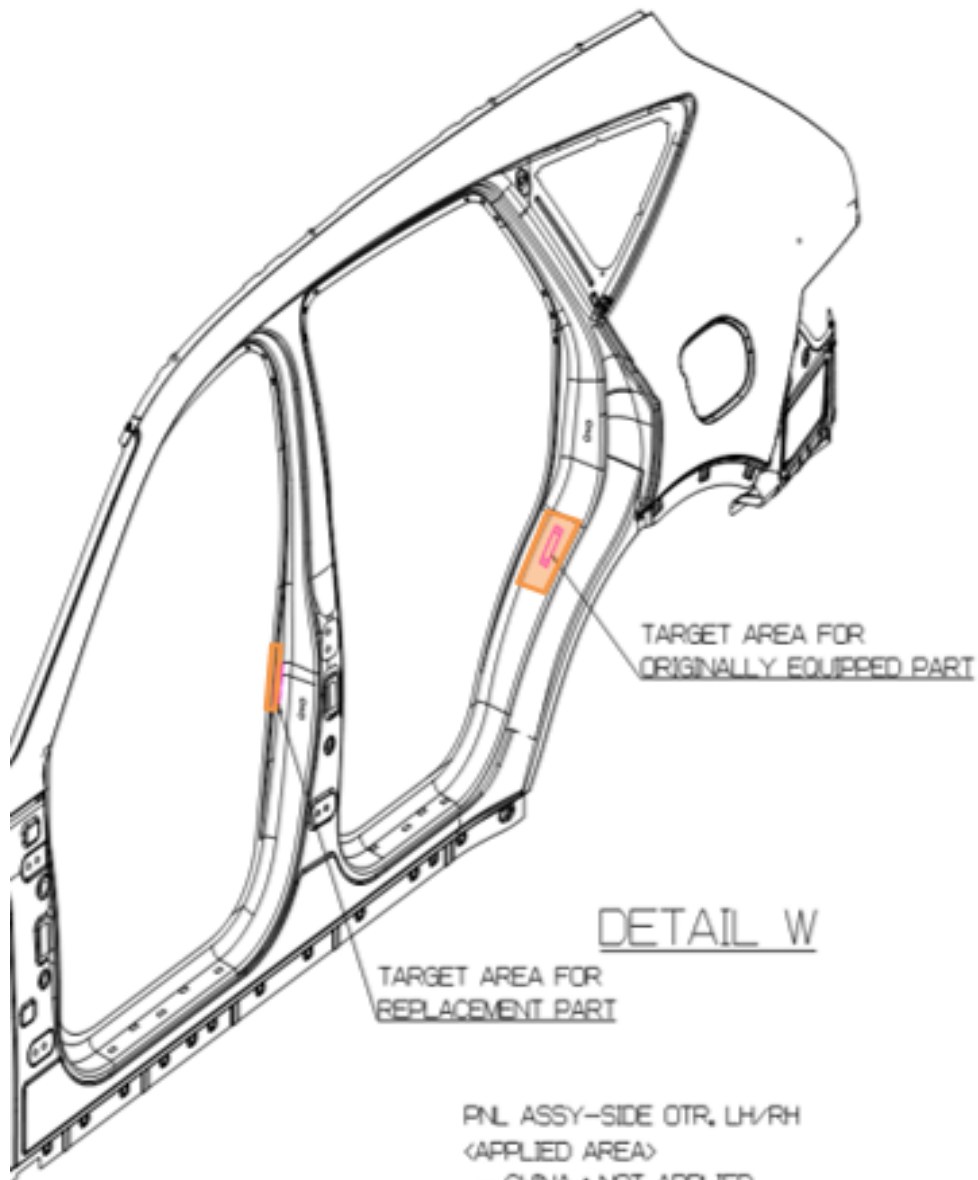
Front Door (LH/RH)



Rear Door (LH/RH)



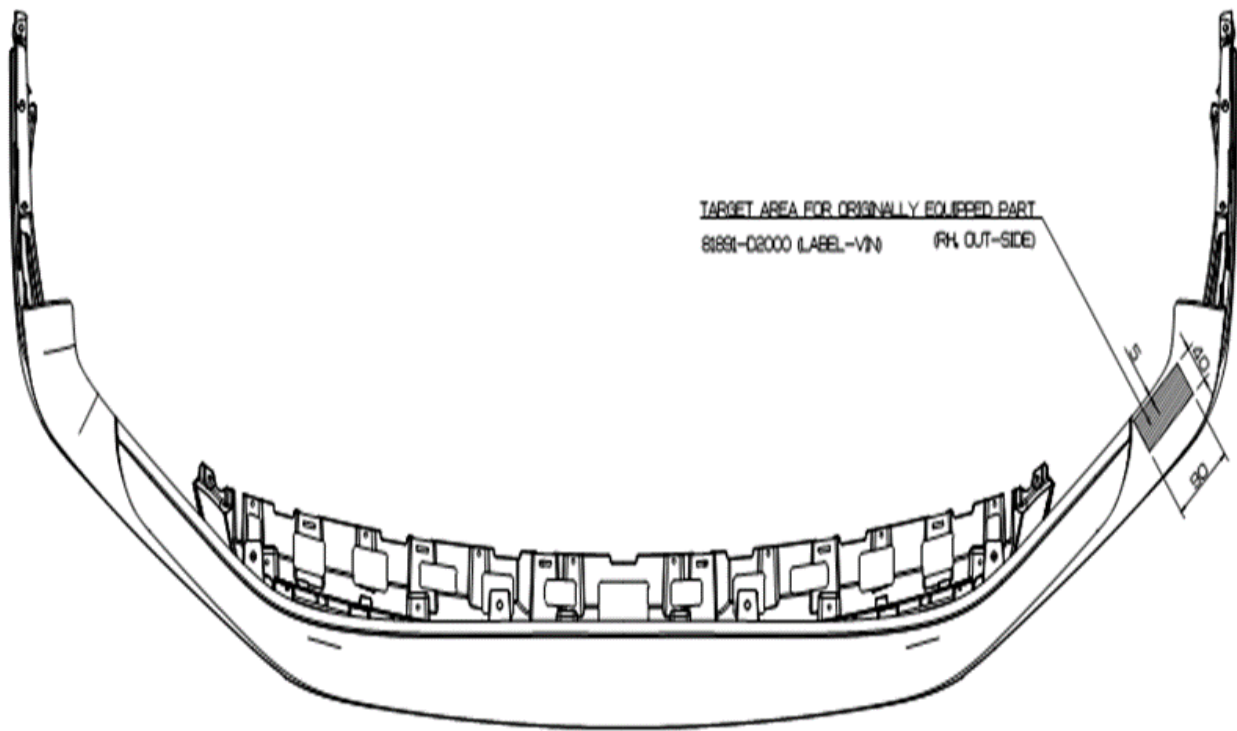
Side Outer Panel (LH/RH)



P.N.L. ASSY-SIDE OTR, LH/RH
(APPLIED AREA)

- CHINA : NOT APPLIED
- EXCEPT OF CHINA : P.N.L. ASSY-SIDE OTR, LH/RH

Front Bumper



BOTTOM VIEW

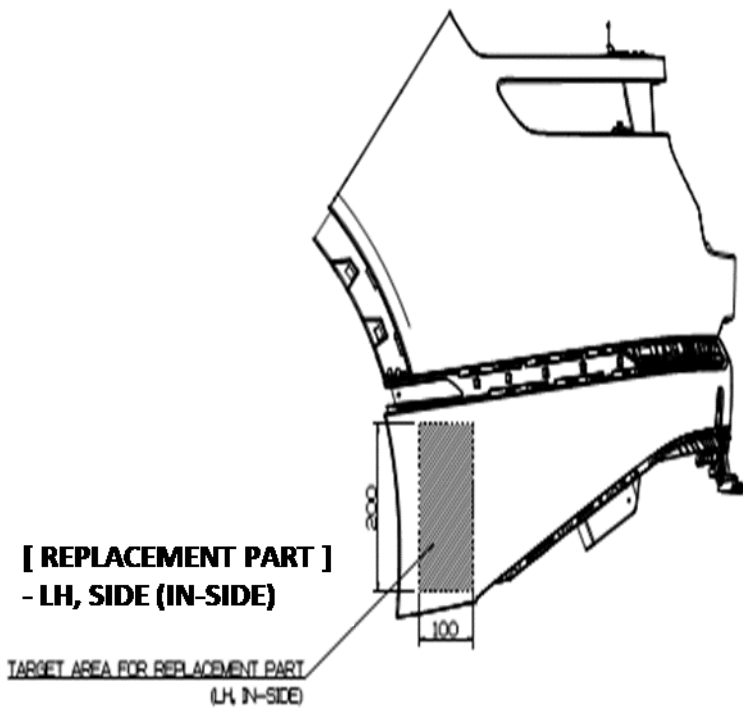
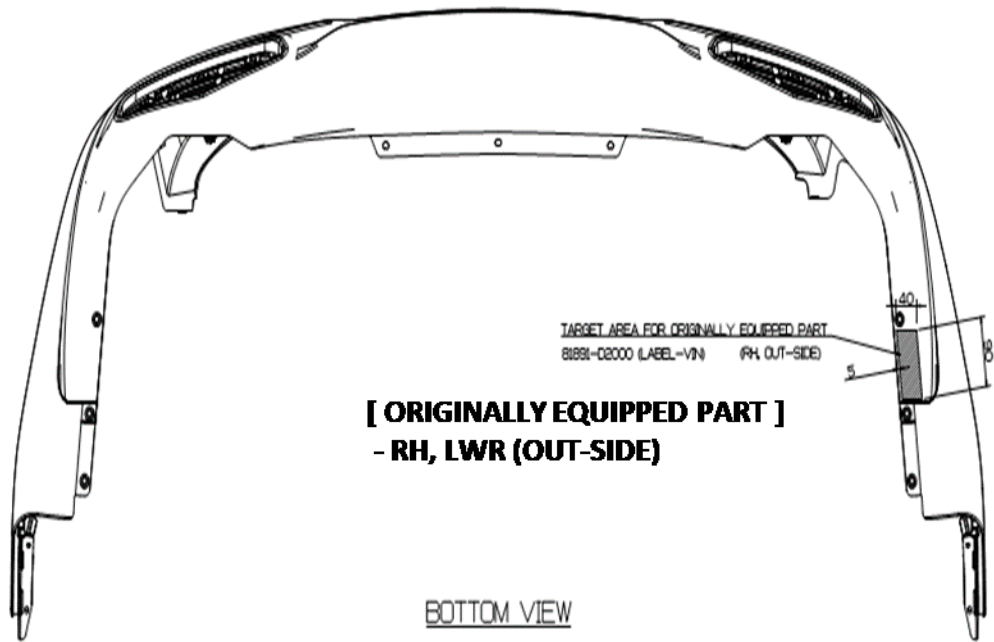


**[REPLACEMENT PART]
- LH, SIDE (IN-SIDE)**

TARGET AREA FOR REPLACEMENT PART
(LH, IN-SIDE)

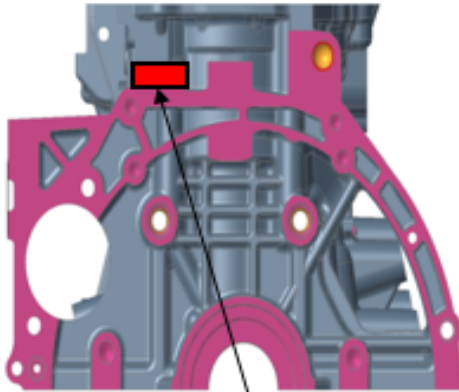
SIDE VIEW

Rear Bumper



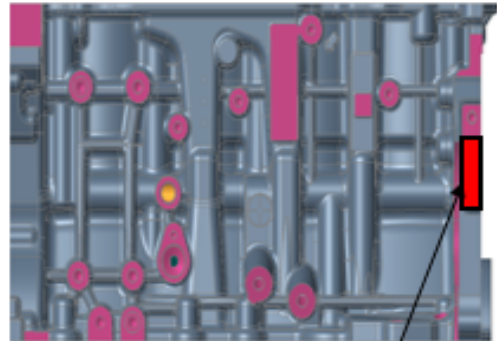
Engine (2.5 T-GDI)

REAR SIDE



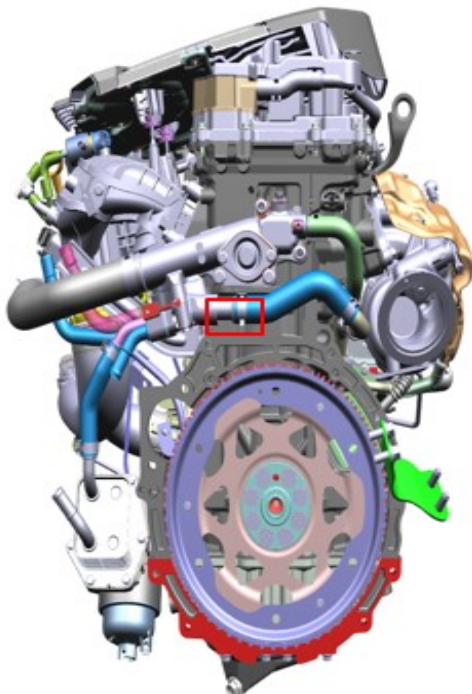
TARGET AREA FOR
REPLACEMENT PART
(R-DOT)

LEFT SIDE



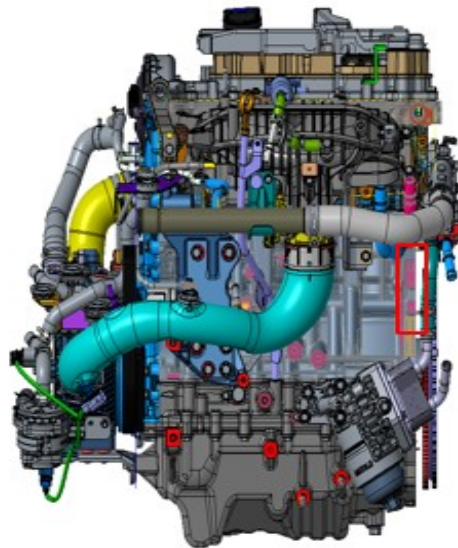
TARGET AREA FOR
ORIGINALLY EQUIPPED PART
(VIN-PLATE)

REAR SIDE



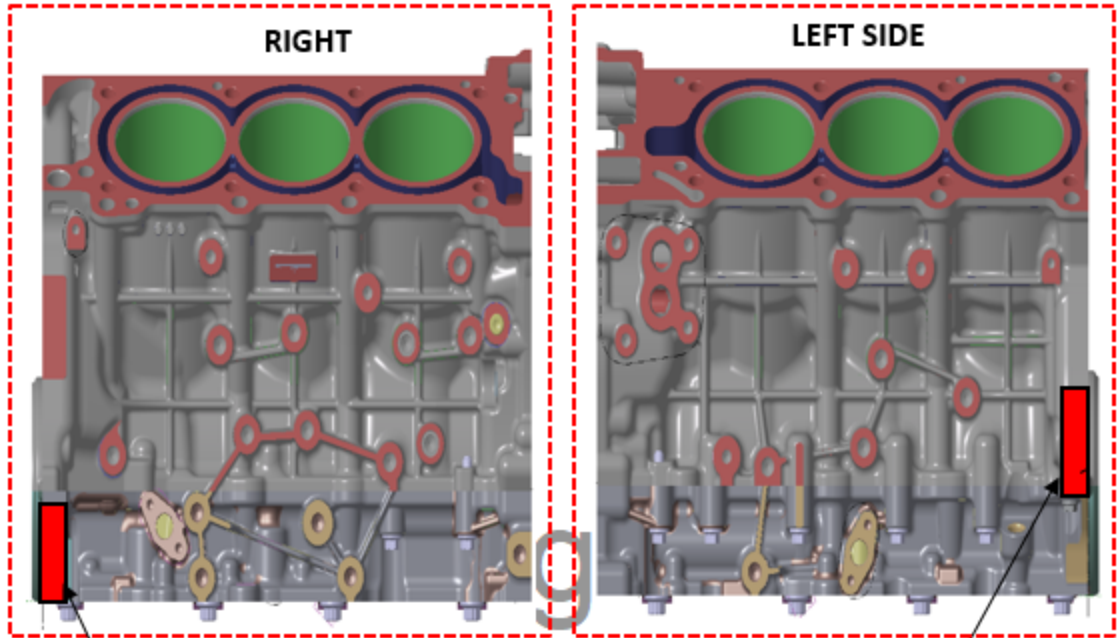
TARGET AREA FOR
REPLACEMENT PART
(R-DOT)

LEFT SIDE



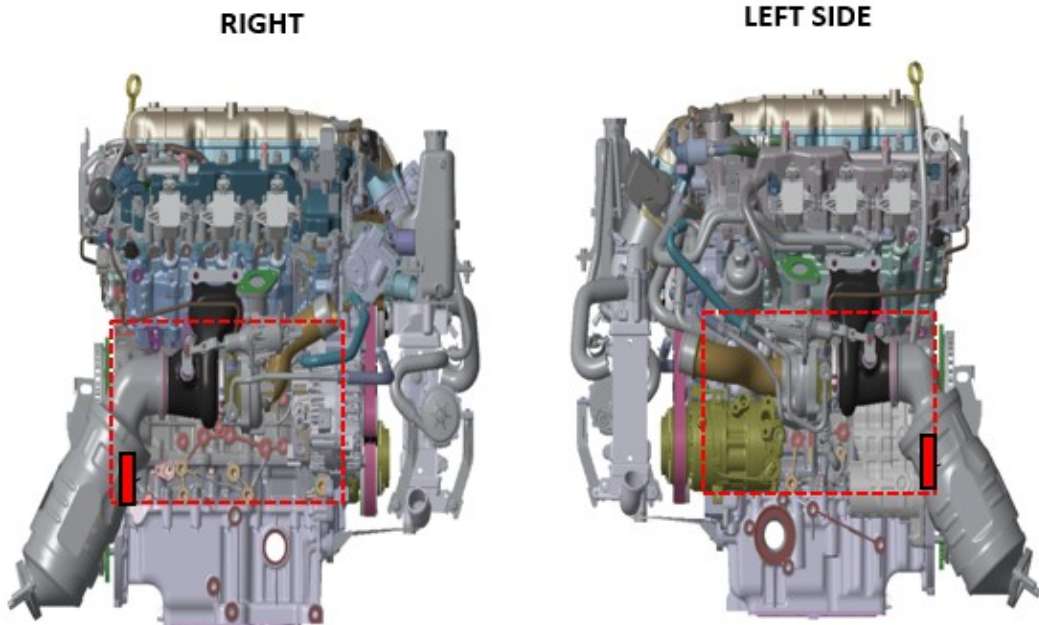
TARGET AREA FOR
ORIGINALLY EQUIPPED PART
(VIN-PLATE)

Engine (3.5L T-GDI)



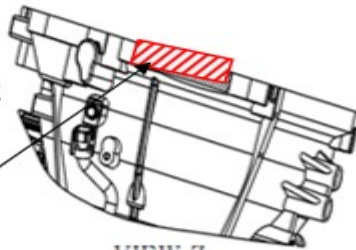
TARGET AREA FOR
REPLACEMENT PART

TARGET AREA FOR
ORIGINALLY EQUIPPED
PART



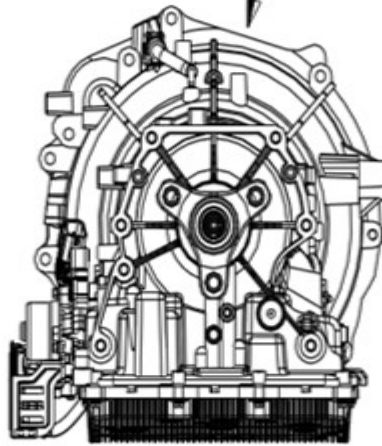
Transmission (Auto for THETA 2.5 Engine)

TARGET AREA FOR REPLACEMENT PART

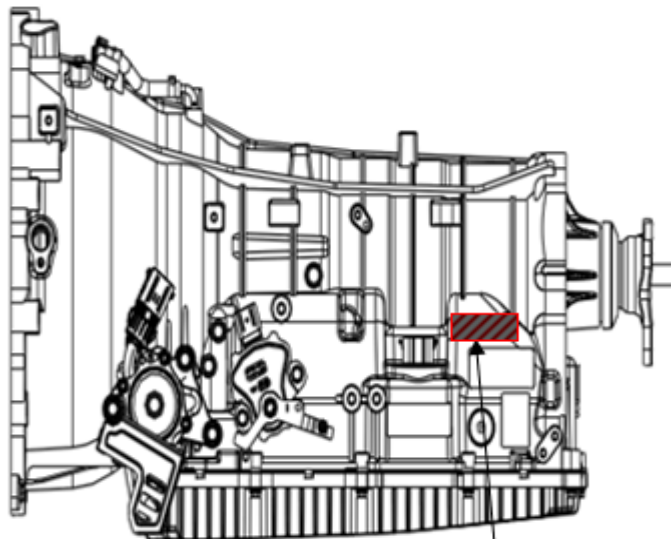


VIEW Z

VIEW Z



BACK VIEW

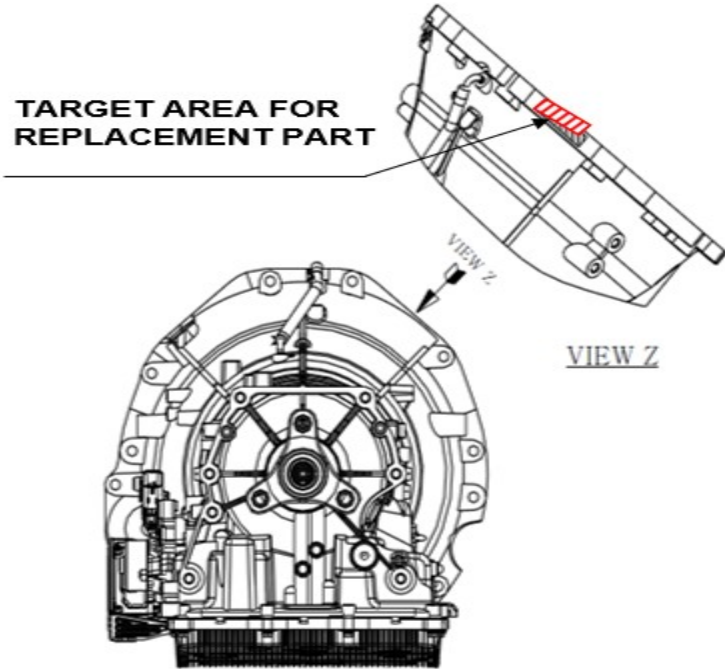


LH VIEW

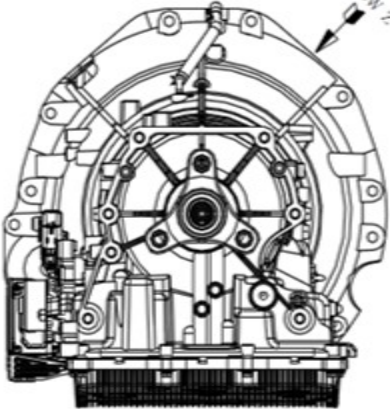
TARGET AREA FOR ORIGINALLY EQUIPPED PART

Transmission (Auto for LAMBDA 3.5T Engine)

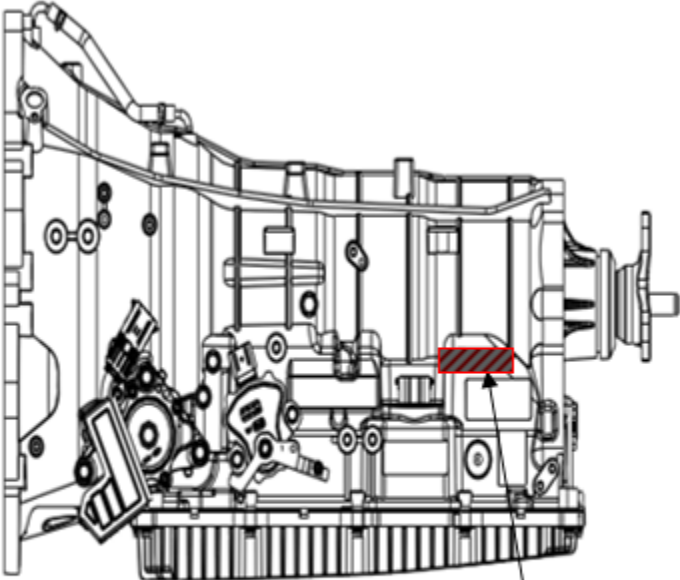
TARGET AREA FOR REPLACEMENT PART



VIEW Z



BACK VIEW



LH VIEW

TARGET AREA FOR ORIGINALLY EQUIPPED PART