

## **VIN marking area for Ioniq 6 model**

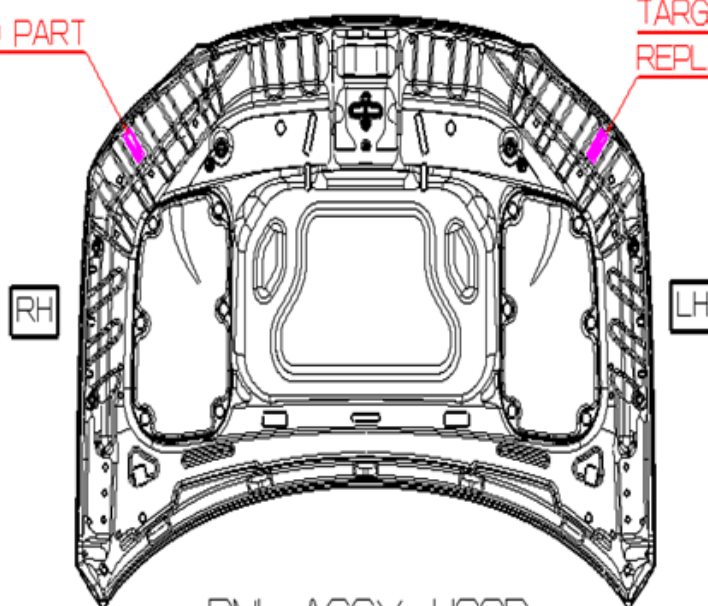
- 1. Hood**
- 2. Tail gate**
- 3. Front Fender (LH/RH)**
- 4. Front Door (LH/RH)**
- 5. Rear Door (LH/RH)**
- 6. Side Outer Panel (LH/RH)**
- 7. Front Bumper**
- 8. Rear Bumper**
- 9. Motor & Decelerator (FR/RR)**



# Hood

TARGET AREA FOR  
ORIGINALLY EQUIPPED PART

TARGET AREA FOR  
REPLACEMENT PART

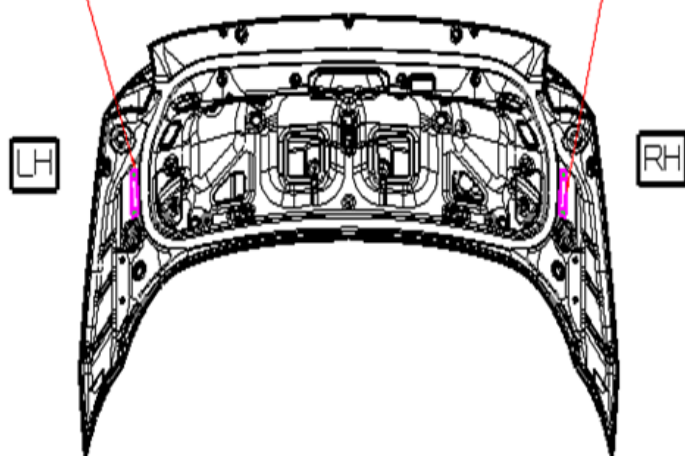


PNL ASSY-HOOD  
(SCALE 1:10)

# Tail Gate

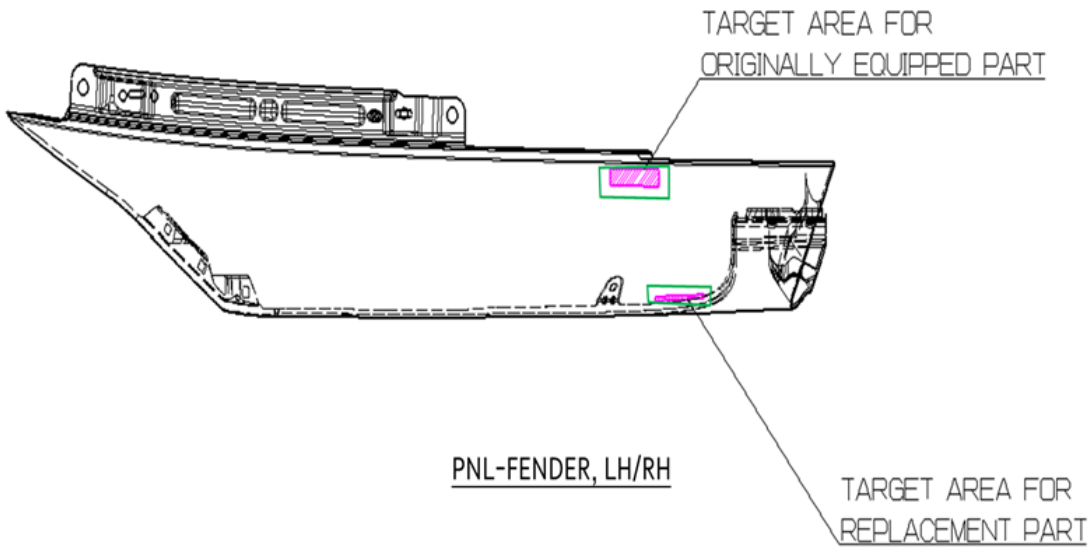
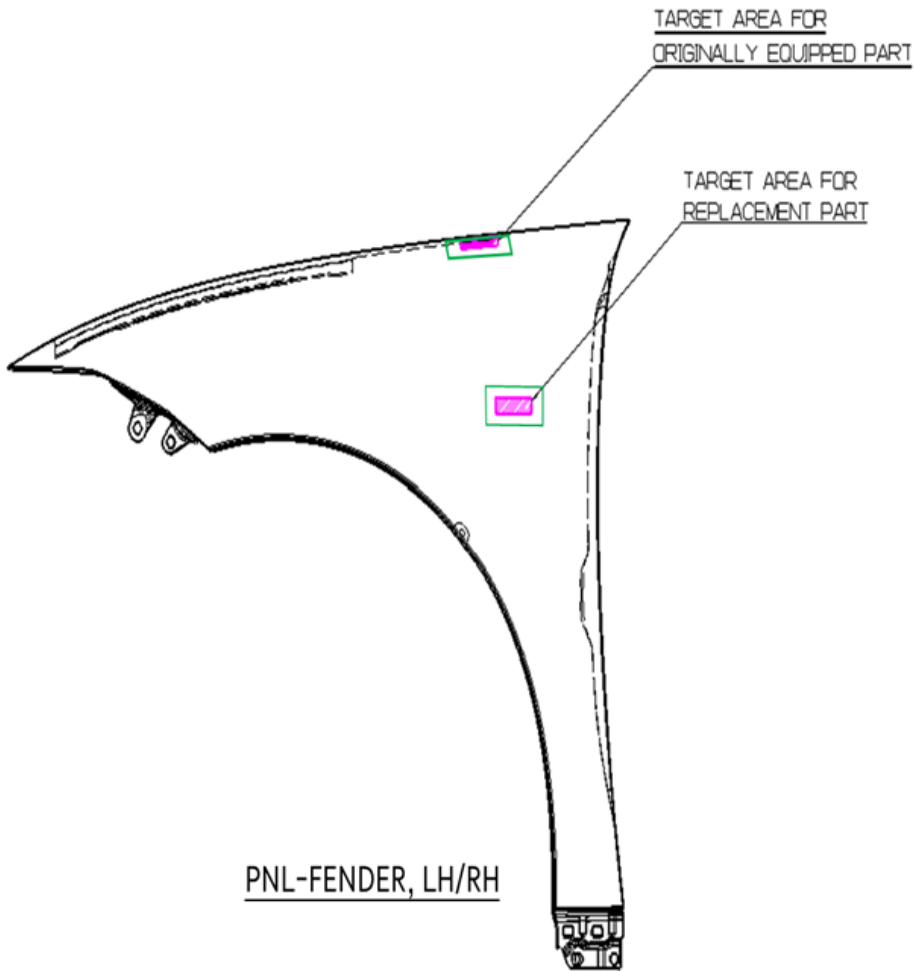
TARGET AREA FOR  
REPLACEMENT PART

TARGET AREA FOR  
ORIGINALLY EQUIPPED PART

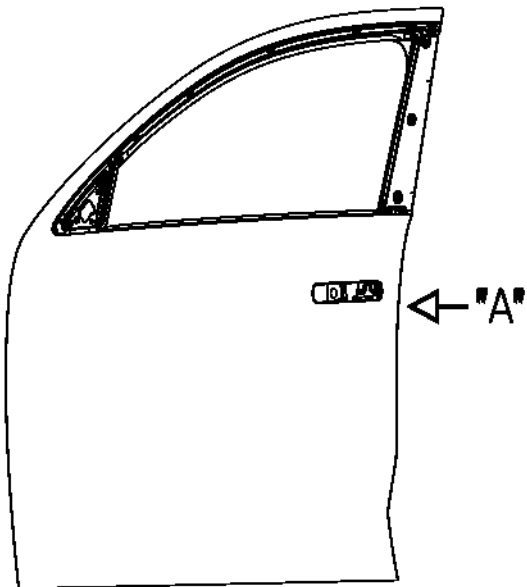


PNL ASSY-T/LID  
(SCALE 1:10)

# Front Fender (LH/RH)

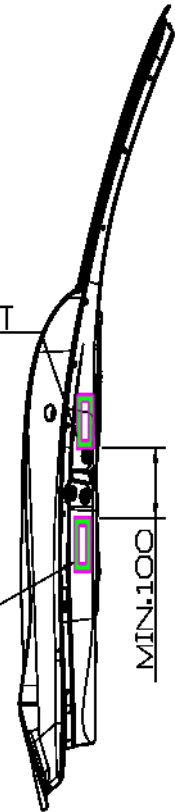


# Front Door (LH/RH)



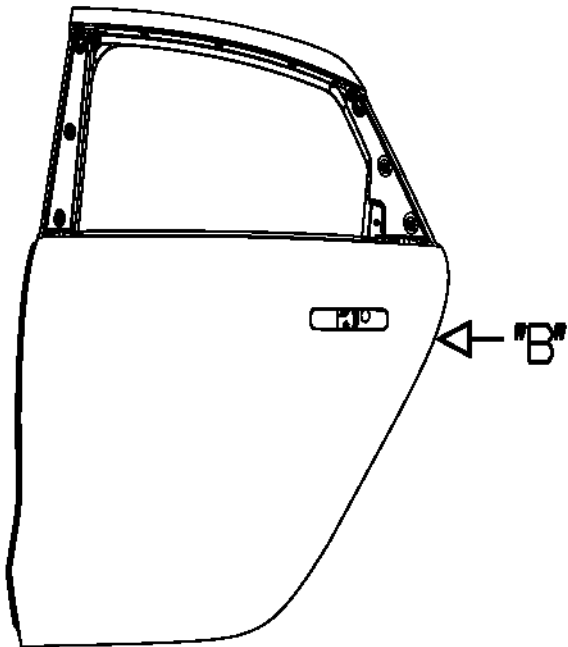
TARGET AREA FOR  
ORIGINALLY EQUIPPED PART

TARGET AREA FOR  
REPLACEMENT PART



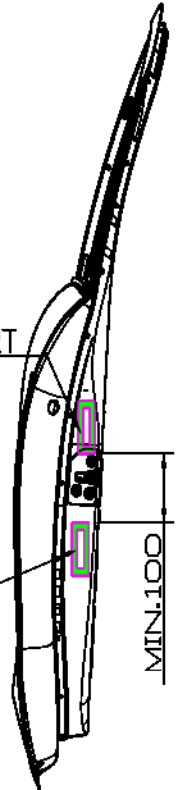
VIEW "A"  
(REAR VIEW)

# Rear Door (LH/RH)



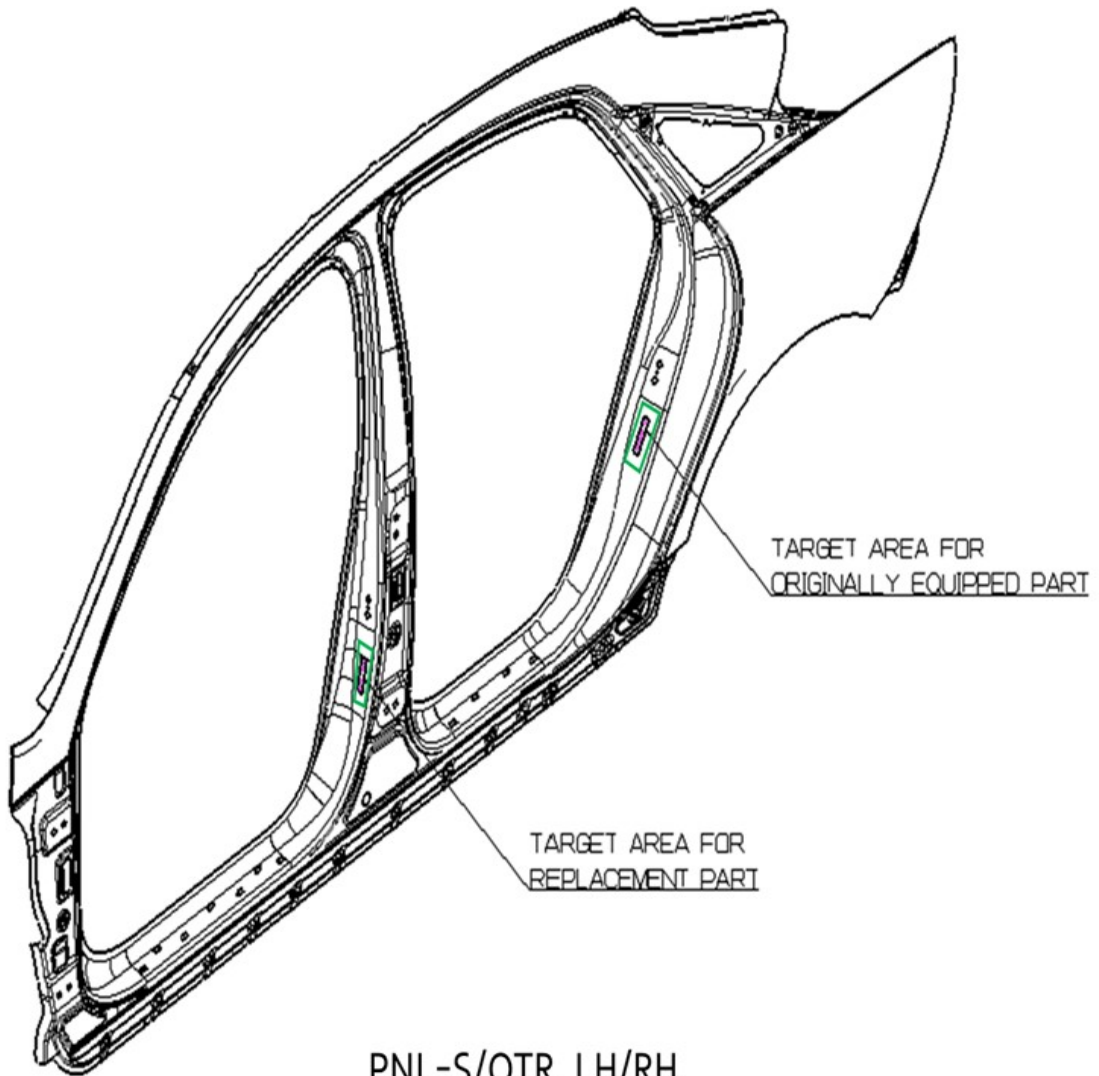
TARGET AREA FOR  
ORIGINALLY EQUIPPED PART

TARGET AREA FOR  
REPLACEMENT PART

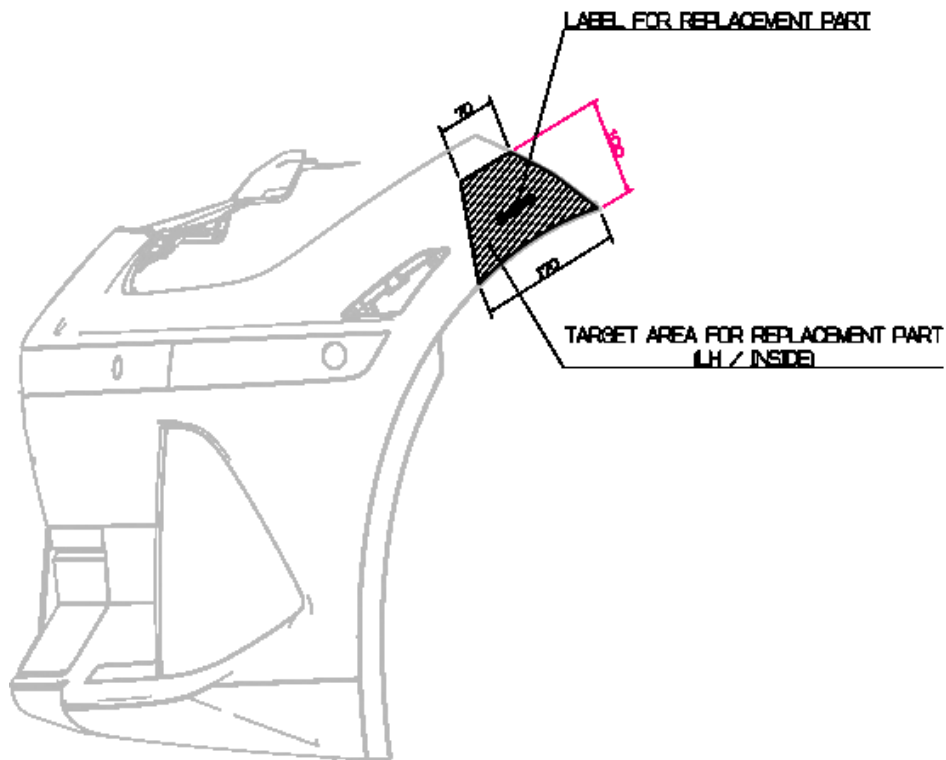
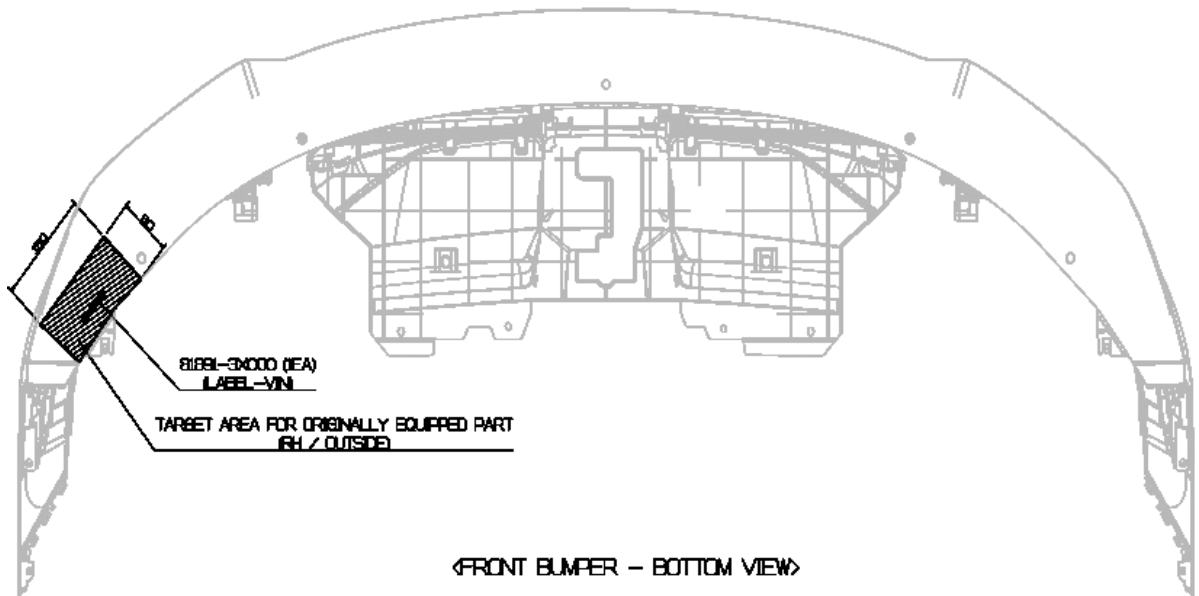


VIEW "B"  
(REAR VIEW)

# Side Outer Panel (LH/RH)



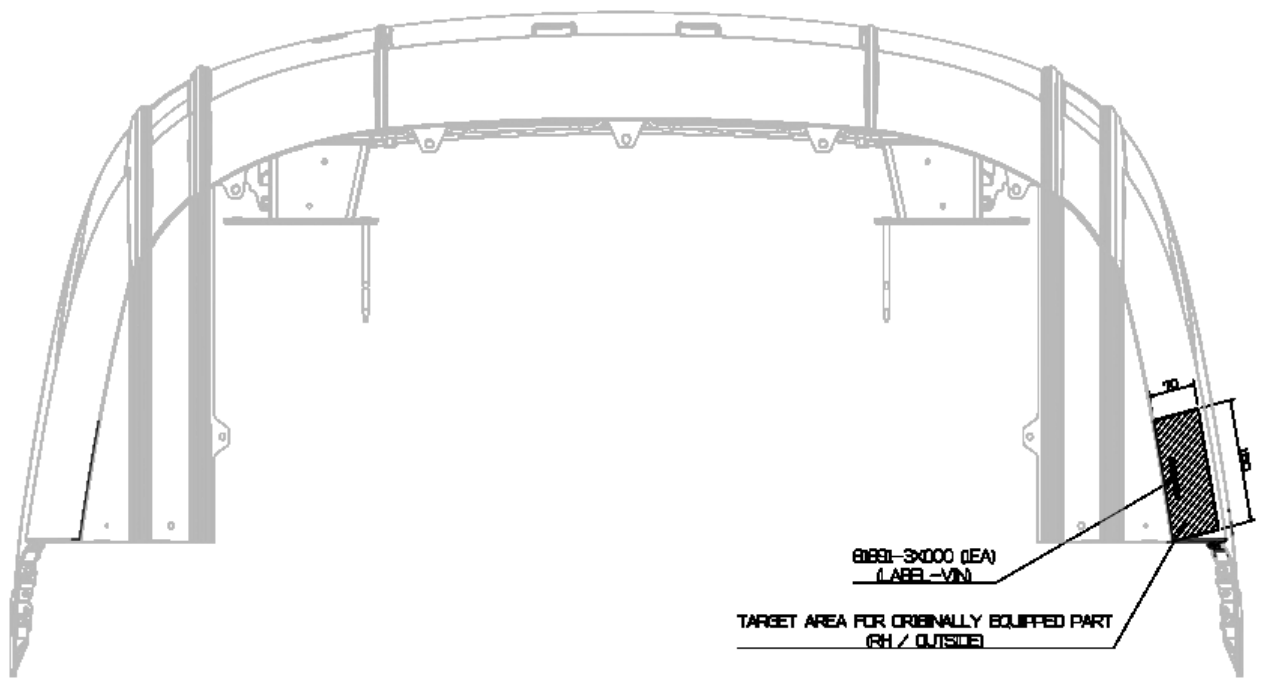
# Front Bumper



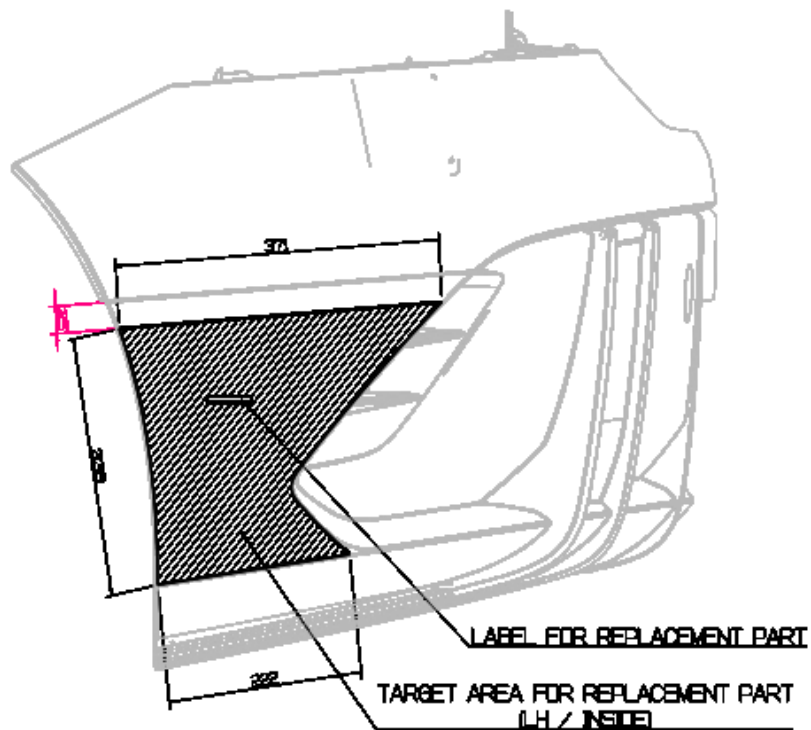
◀FRONT BUMPER - SIDE VIEW▶



# Rear Bumper

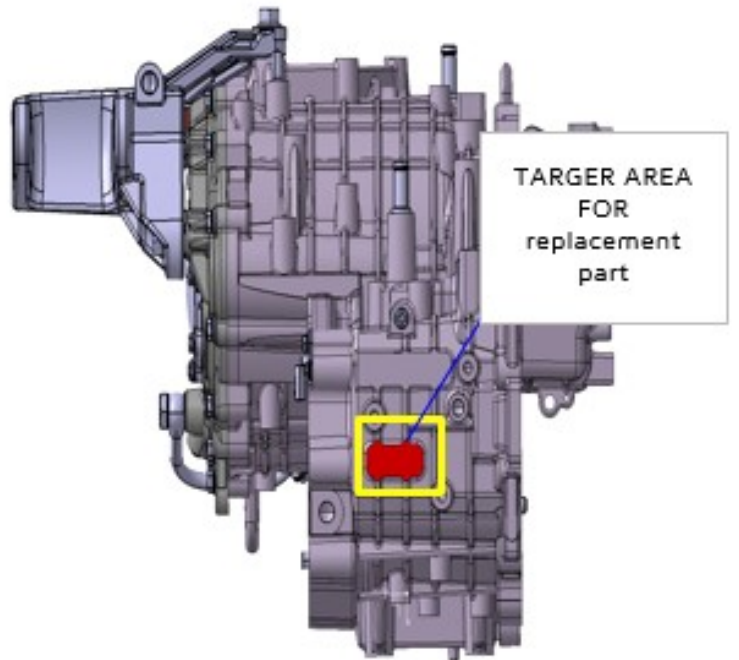
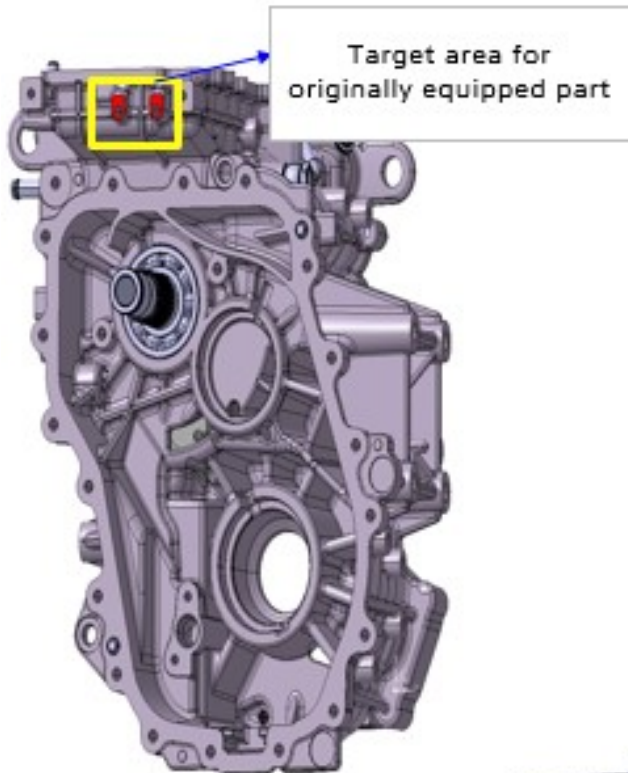


◀RR BUMPER-BOTTOM VIEW▶

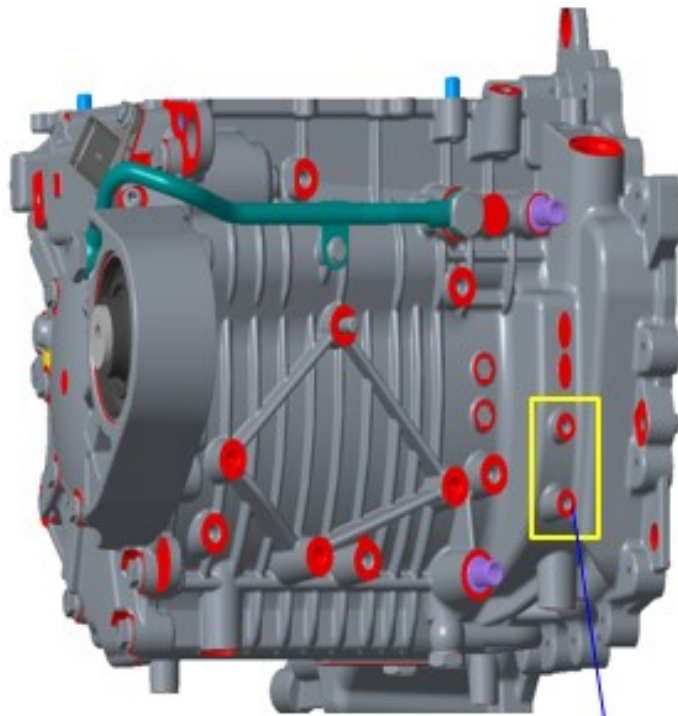


◀RR BUMPER - SIDE VIEW▶

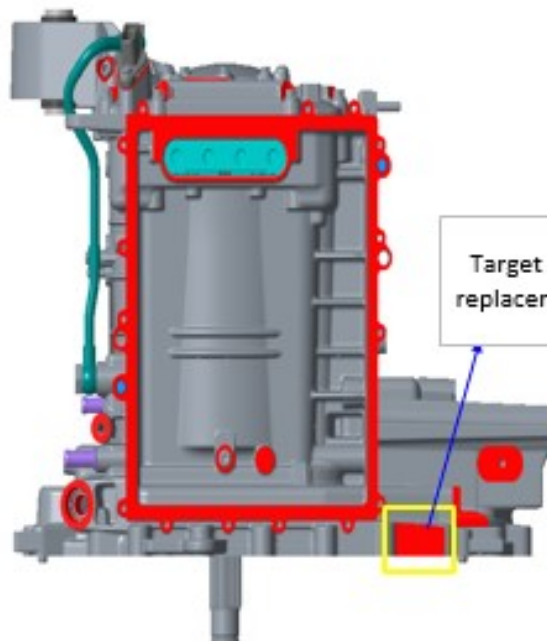
# Front Motor



# Rear Motor



Target area for  
originally equipped  
part



Target area for  
replacement part