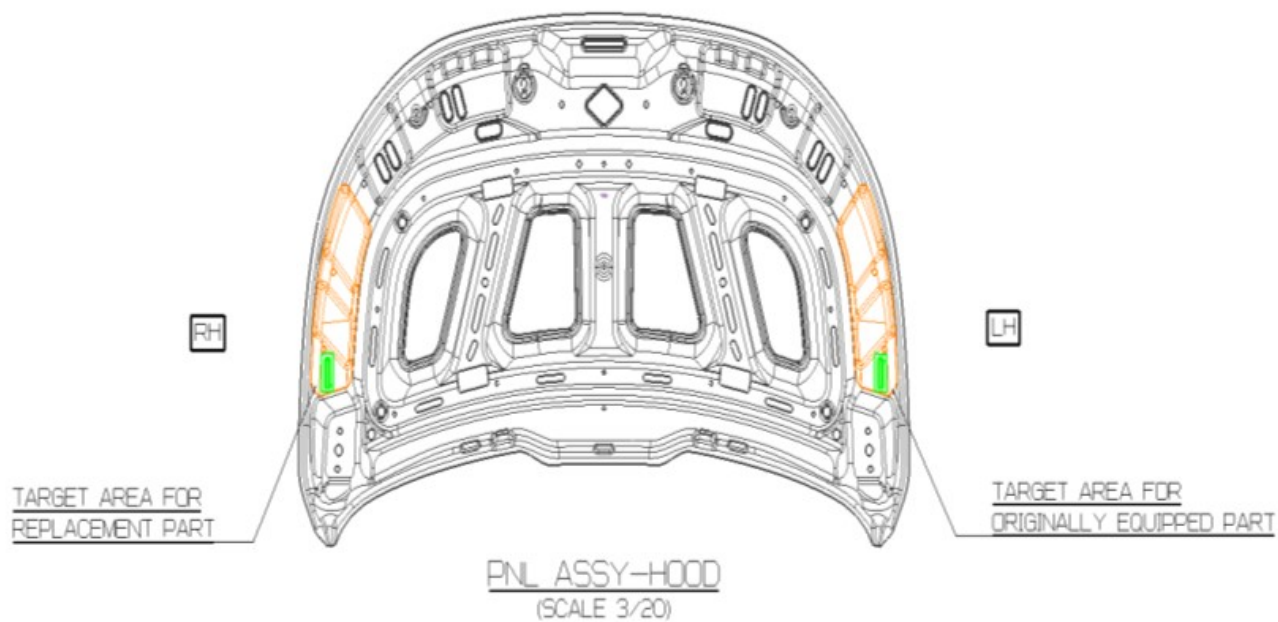


## **VIN marking area for Niro model**

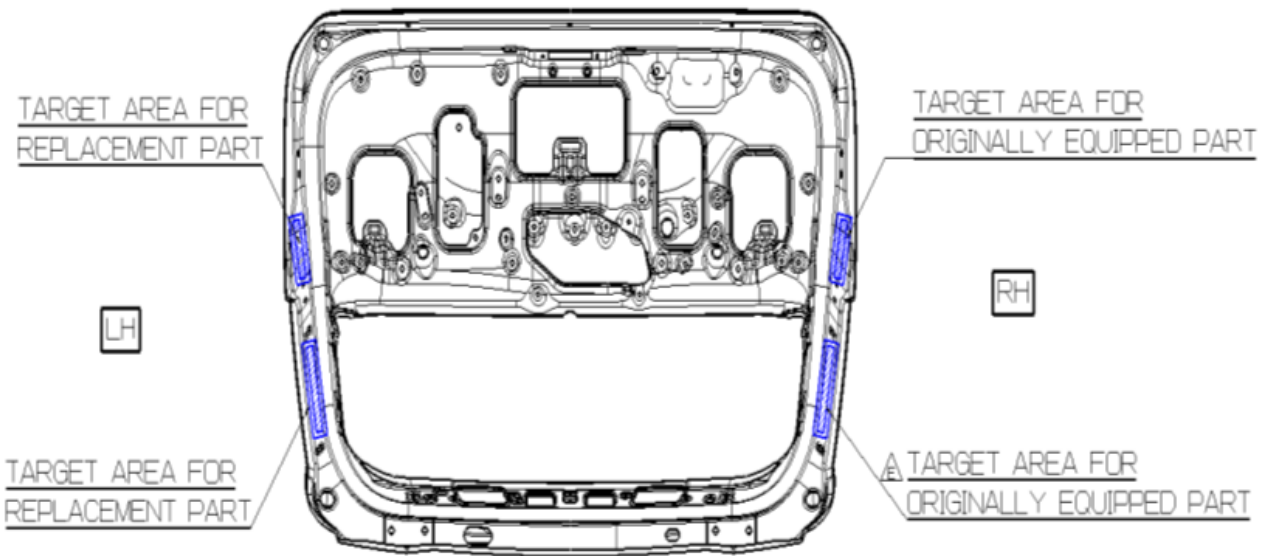
- 1. Hood**
- 2. Tail gate**
- 3. Front Fender (LH/RH)**
- 4. Front Door (LH/RH)**
- 5. Rear Door (LH/RH)**
- 6. Side Outer Panel (LH/RH)**
- 7. Front Bumper**
- 8. Rear Bumper**
- 9. Engine [Kappa PE 1.6 GDI] (for HEV/PHEV)**
- 10. Transmission [DCT] (for HEV/PHEV)**
- 11. Motor & Decelerator (for EV)**



# Hood



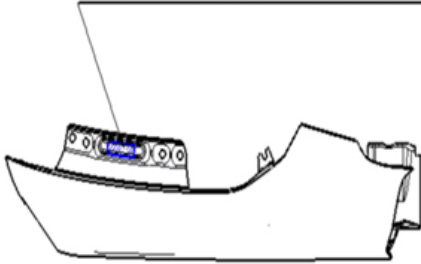
# Tail Gate



PNL ASSY-T/GATE  
(SCALE 3/20)

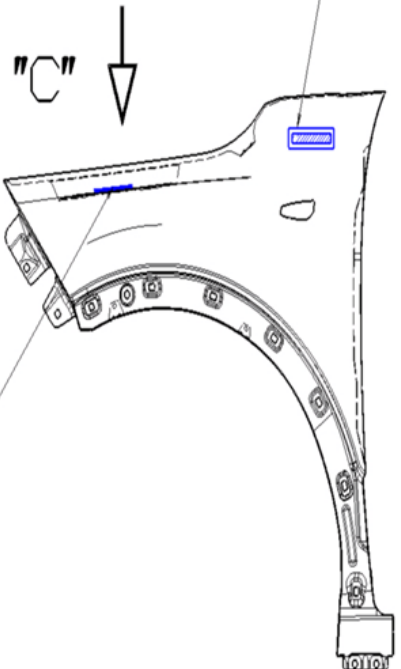
# Front Fender (LH/RH)

TARGET AREA FOR  
ORIGINALLY EQUIPPED PART



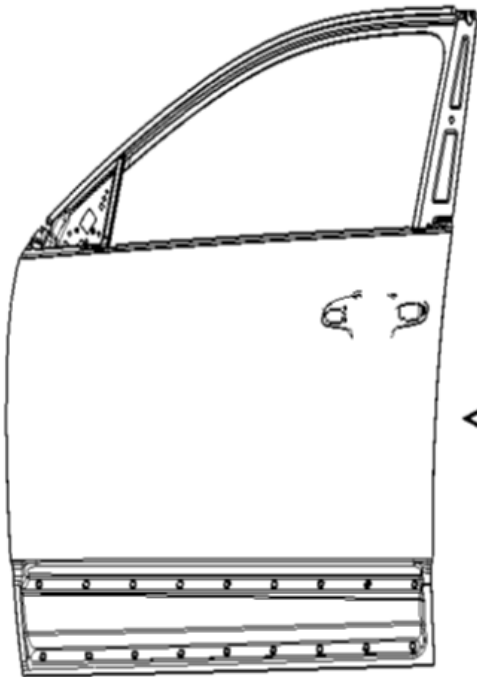
VIEW "C"  
(TOP VIEW)

TARGET AREA FOR  
REPLACEMENT PART



TARGET AREA FOR  
ORIGINALLY EQUIPPED PART

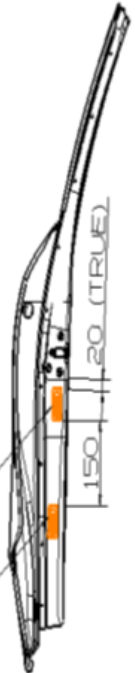
# Front Door (LH/RH)



← "A"

△ TARGET AREA FOR  
ORIGINALLY EQUIPPED PART

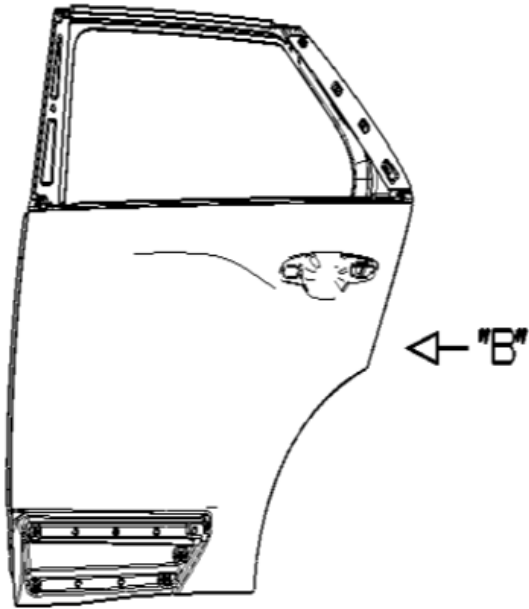
△ TARGET AREA FOR  
REPLACEMENT PART



PNL ASSY-FR DR, LH/RH  
(SCALE 1/10)

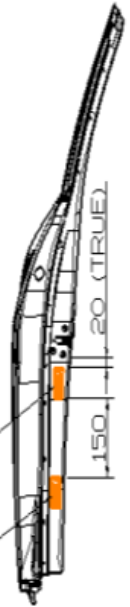
VIEW "A"  
(REAR VIEW)

# Rear Door (LH/RH)



△ TARGET AREA FOR  
ORIGINALLY EQUIPPED PART

△ TARGET AREA FOR  
REPLACEMENT PART

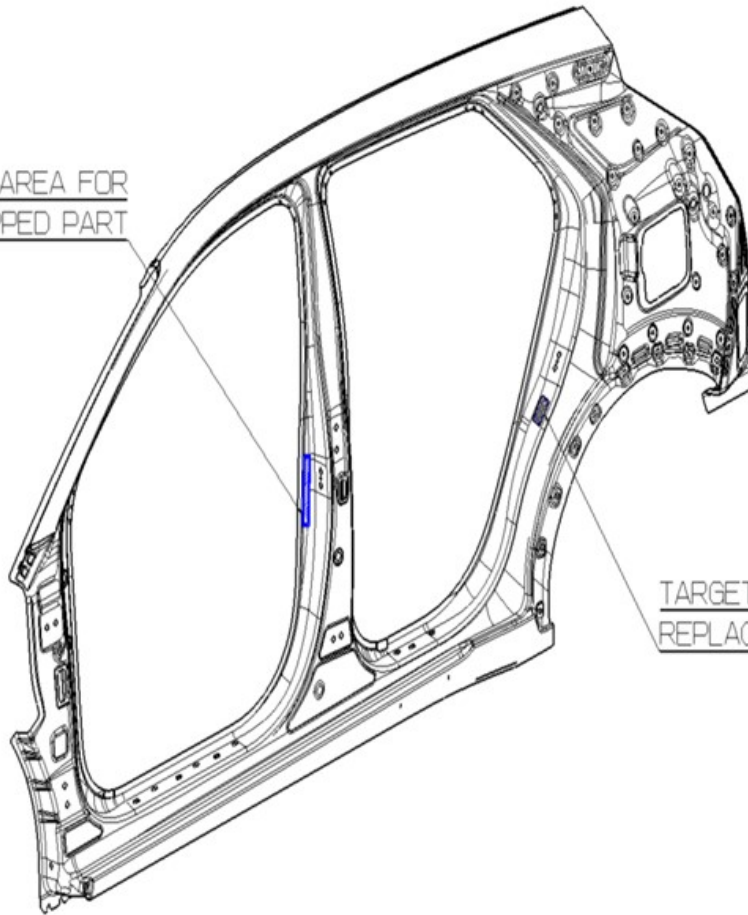


PNL ASSY-RR DR, LH/RH  
(SCALE 1/10)

VIEW "B"  
(REAR VIEW)

# Side Outer Panel (LH/RH)

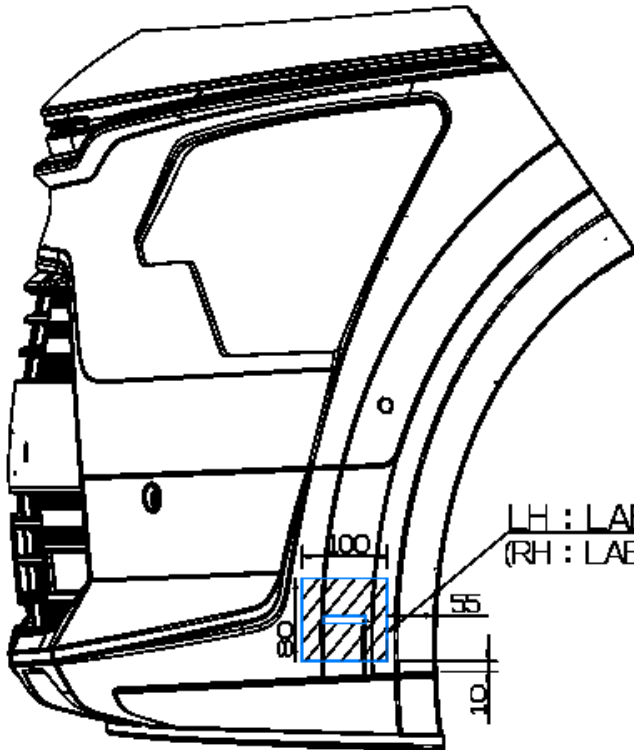
TARGET AREA FOR  
ORIGINALLY EQUIPPED PART



TARGET AREA FOR  
REPLACEMENT PART

PNL-SIDE OTR, LH/RH

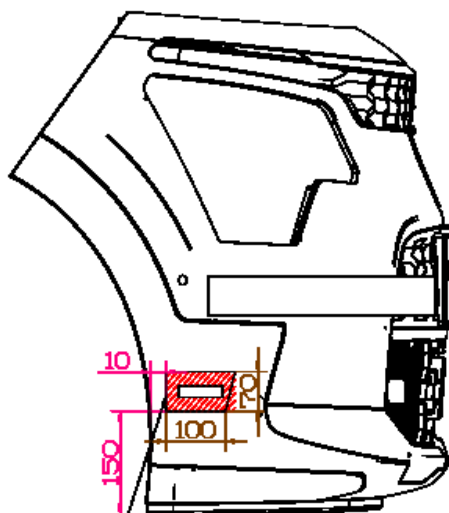
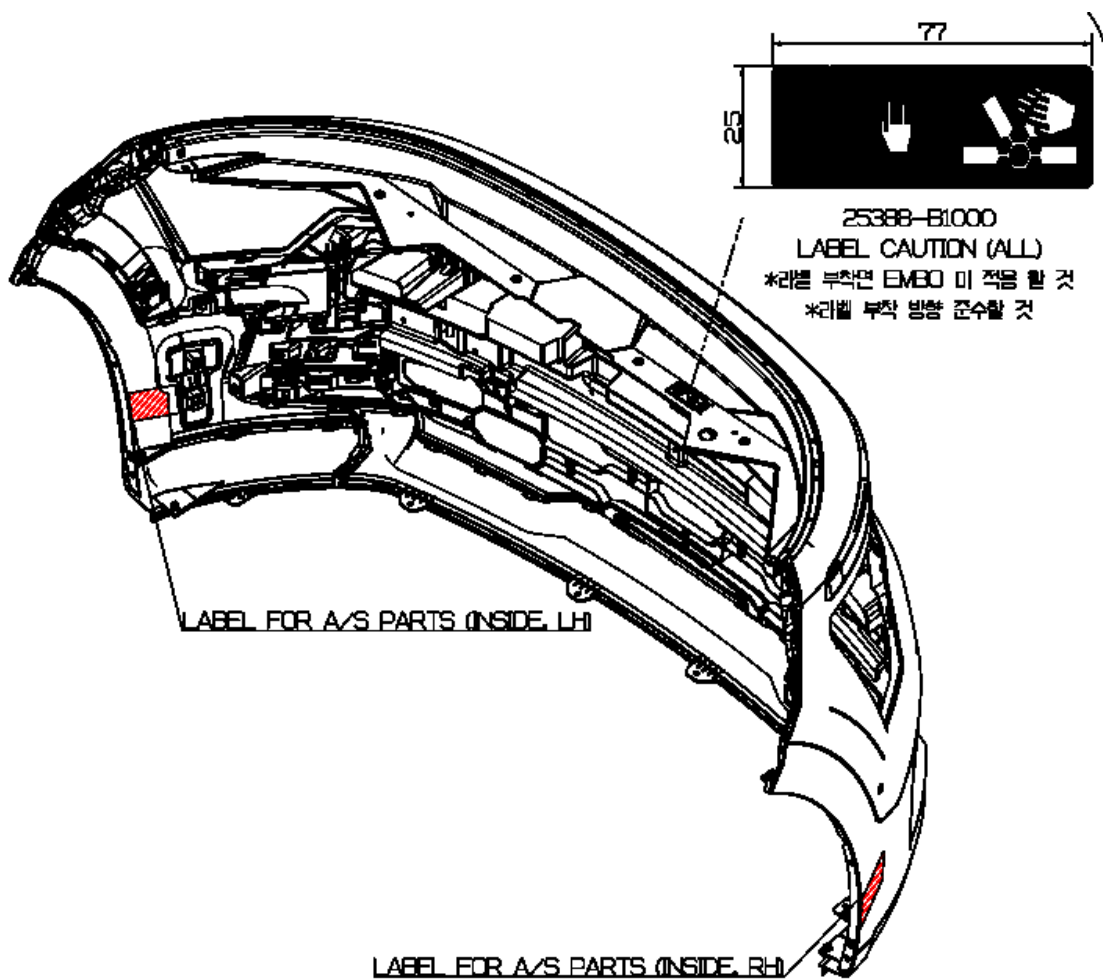
# Front Bumper for HEV & PHEV



LH : LABEL FOR INSTALL PARTS – INSIDE  
(RH : LABEL FOR A/S PARTS – INSIDE)



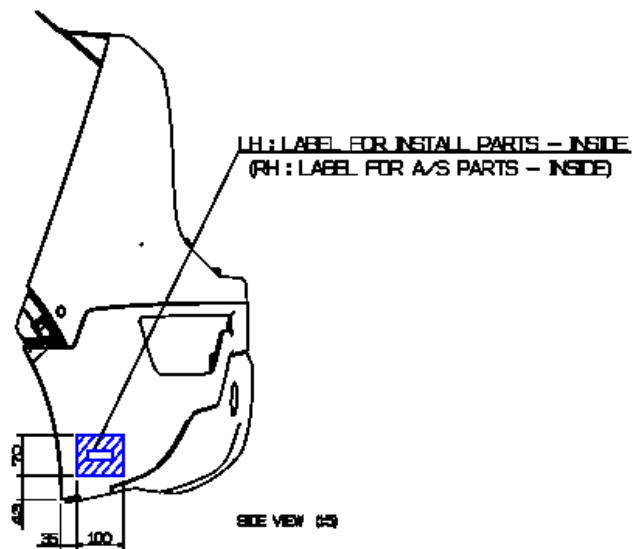
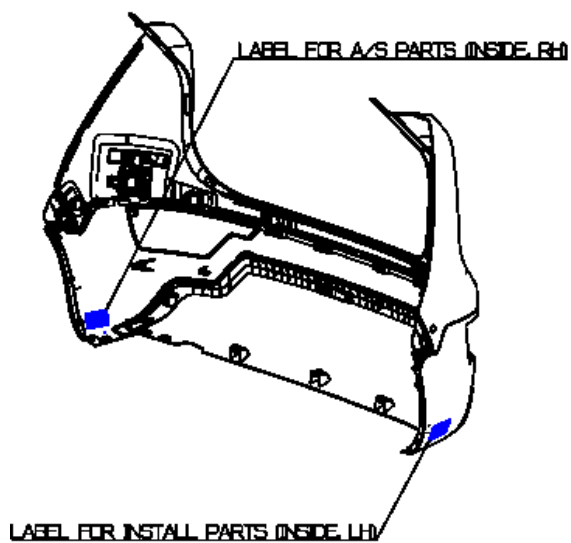
# Front Bumper for EV



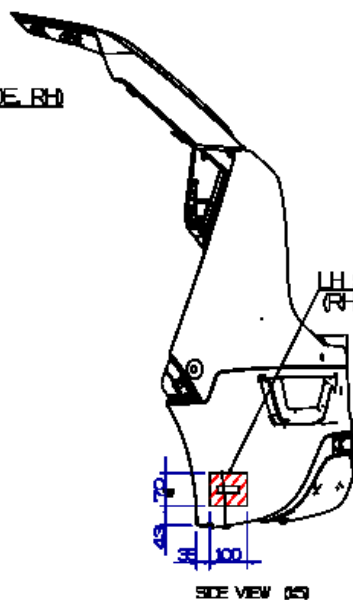
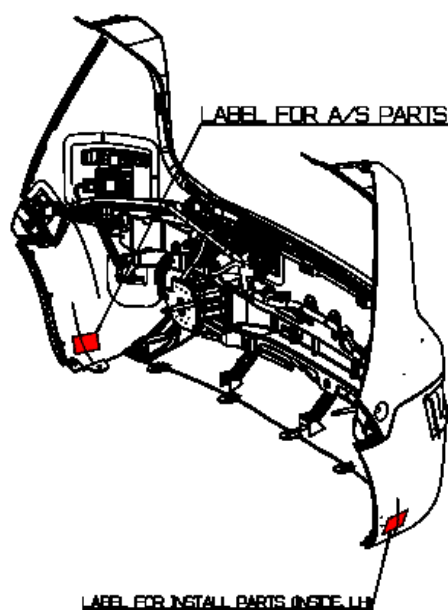
RH : LABEL FOR INSTALL PARTS - INSIDE  
LH : LABEL FOR A/S PARTS - INSIDE

SIDE VIEW

# Rear Bumper for HEV & PHEV

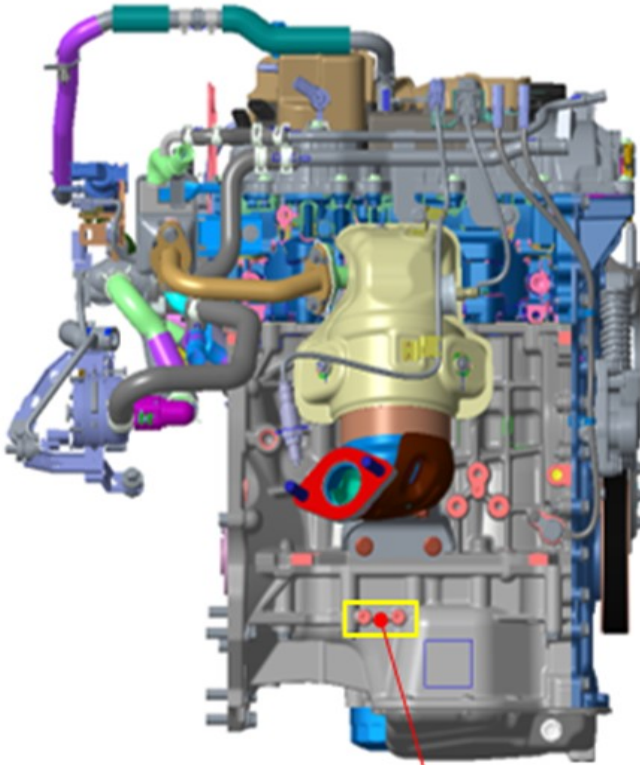


# Rear Bumper for EV

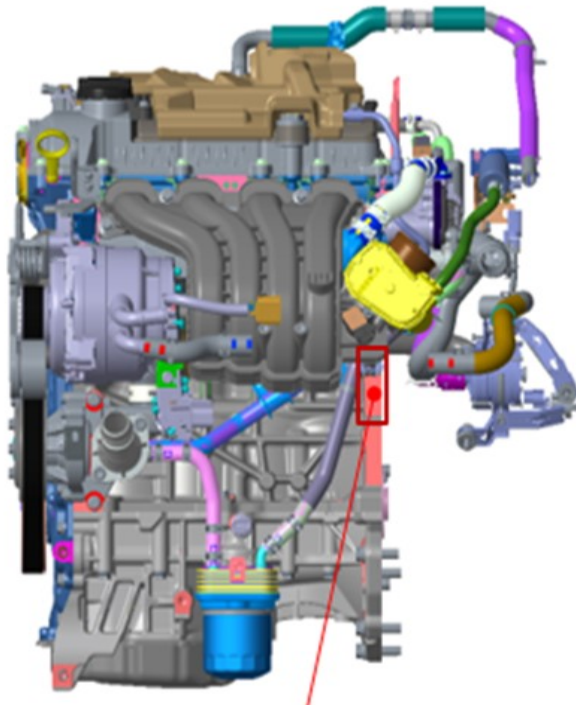


6  
6  
6  
6  
6

# Engine (Smartstream G1.6 GDi)



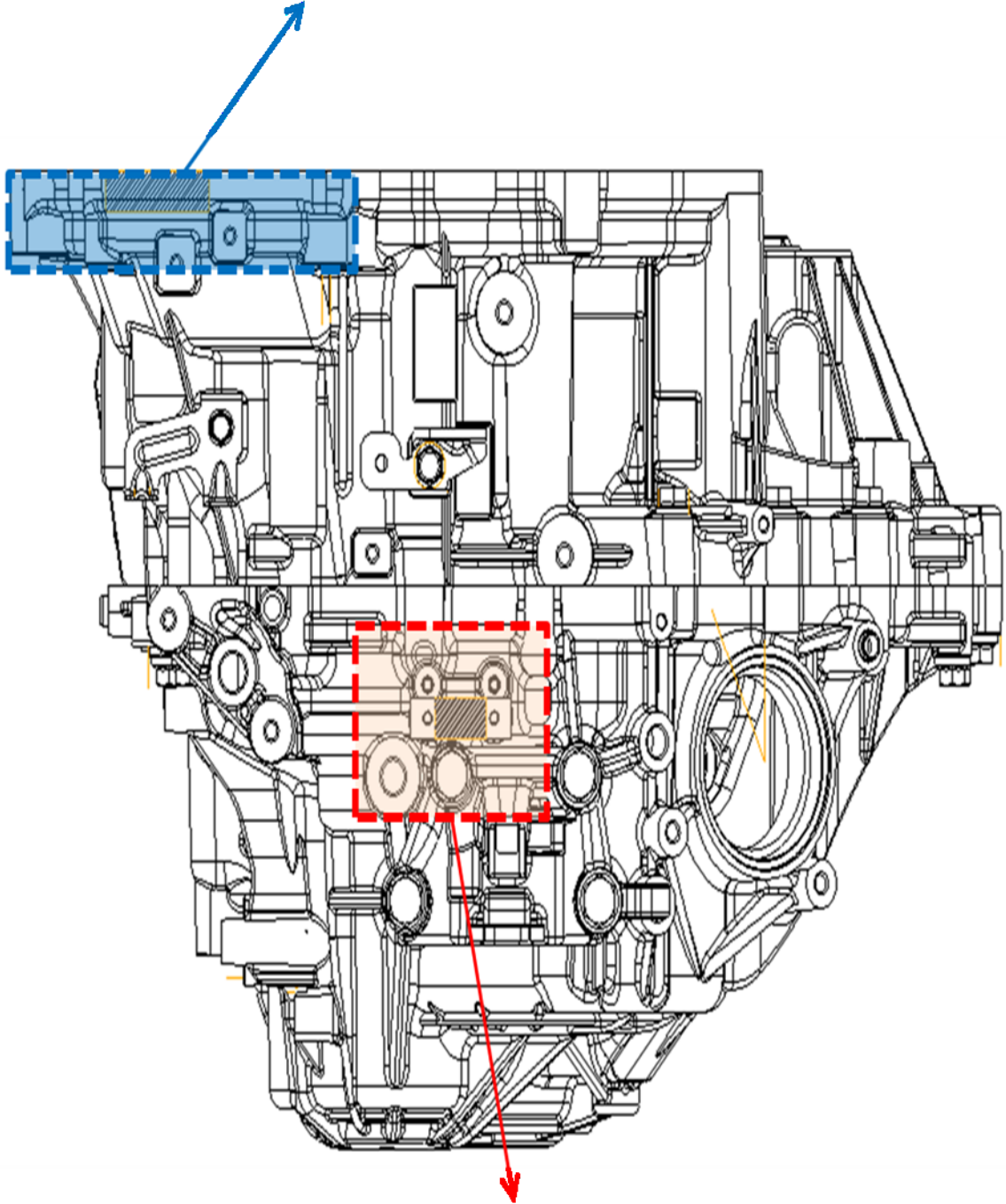
TARGET AREA FOR ORIGINALLY EQUIPPED PART



TARGET AREA FOR REPLACEMENT PART

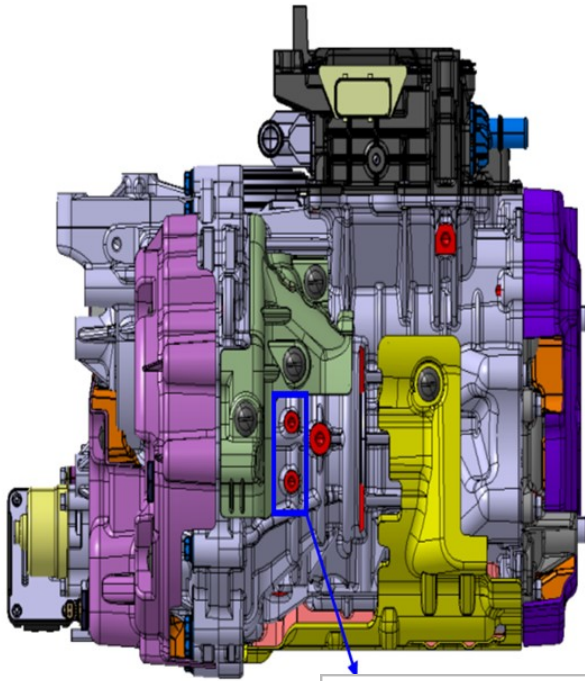
# Transmission (6DCT for KAPPA-1.6L)

TARGET AREA FOR REPLACEMENT PART



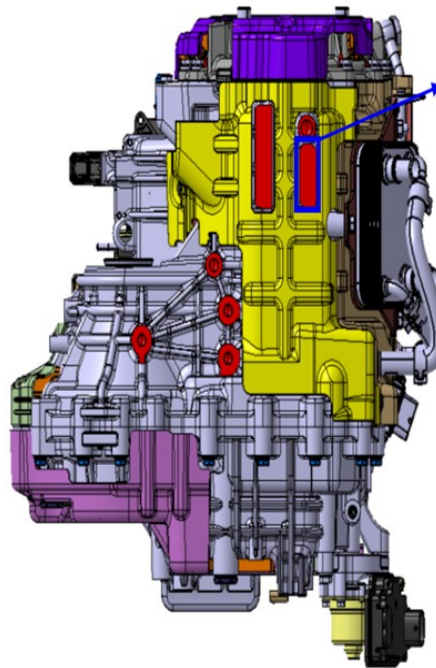
TARGET AREA FOR EQUIPPED PART

# Front Motor & Decelerator



Target area for  
originally equipped part

〈LEFT VIEW〉



Target area for  
replacement  
part

〈BOTTOM VIEW〉