

VIN marking area for EV6 model

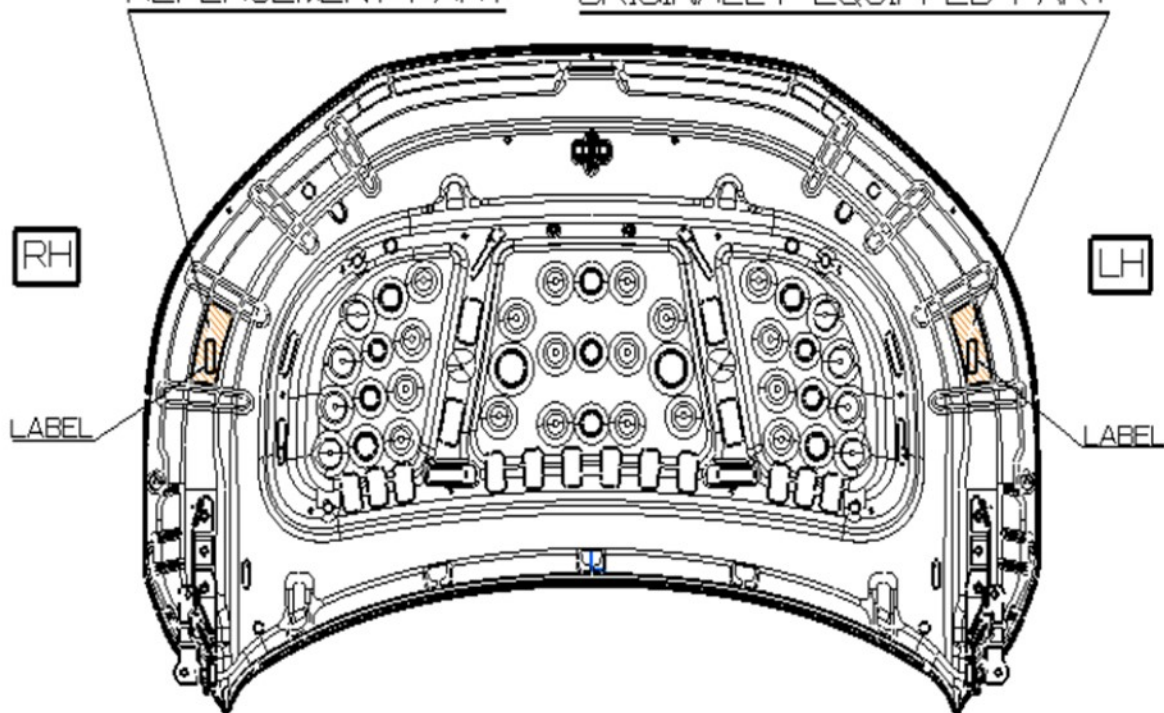
- 1. Hood**
- 2. Tail Gate**
- 3. Front Fender (LH/RH)**
- 4. Front Door (LH/RH)**
- 5. Rear Door (LH/RH)**
- 6. Side Outer Panel (LH/RH)**
- 7. Front Bumper**
- 8. Rear Bumper**
- 9. Motor & Decelerator (FR/RR)**



Hood

TARGET AREA FOR
REPLACEMENT PART

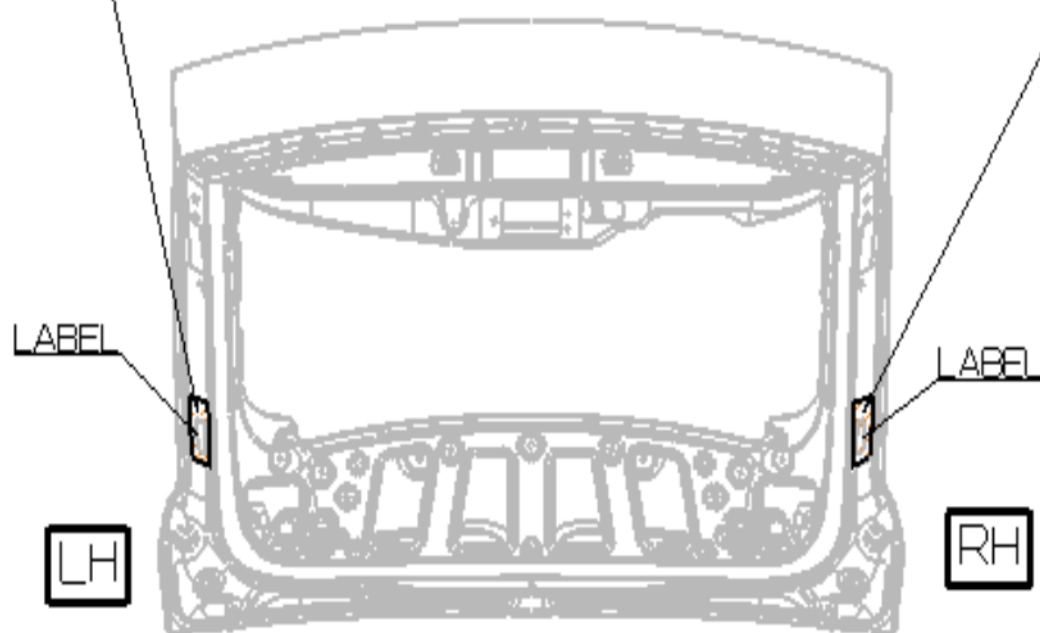
TARGET AREA FOR
ORIGINALLY EQUIPPED PART



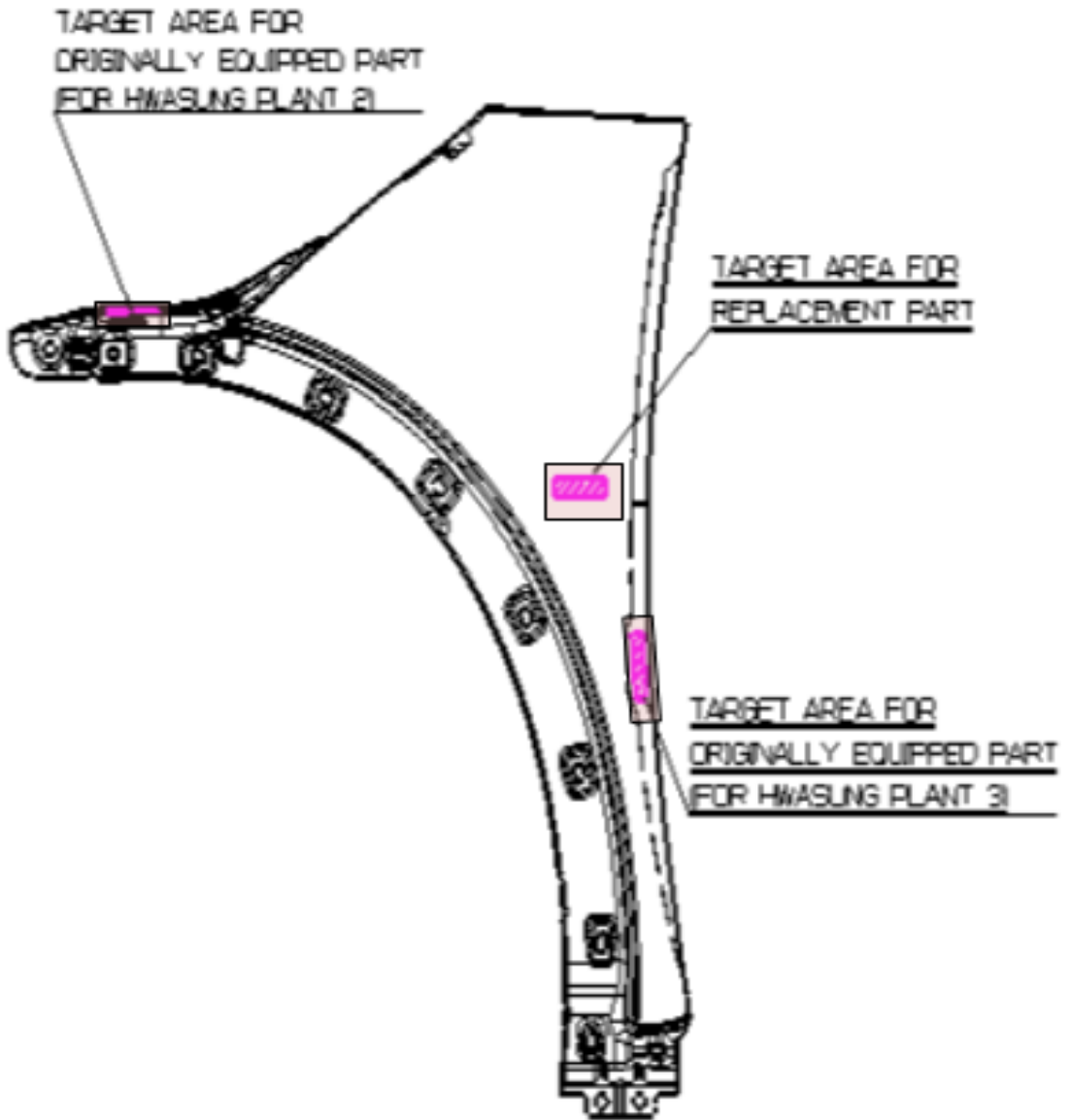
Tail Gate

TARGET AREA FOR
REPLACEMENT PART

TARGET AREA FOR
ORIGINALLY EQUIPPED PART

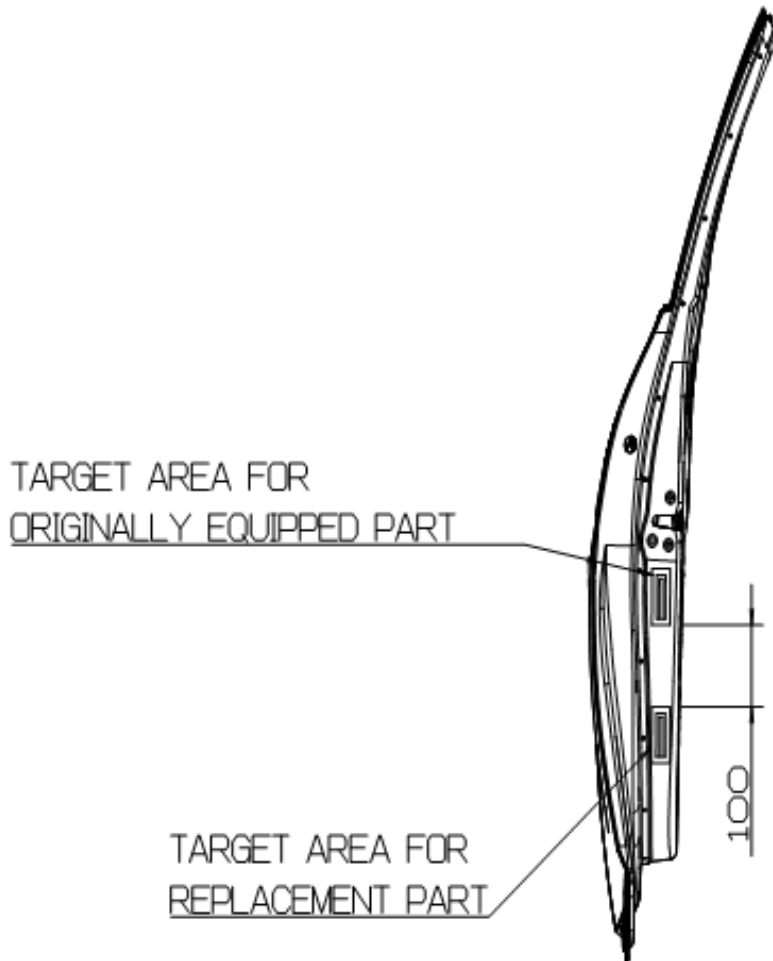


Front Fender (LH/RH)

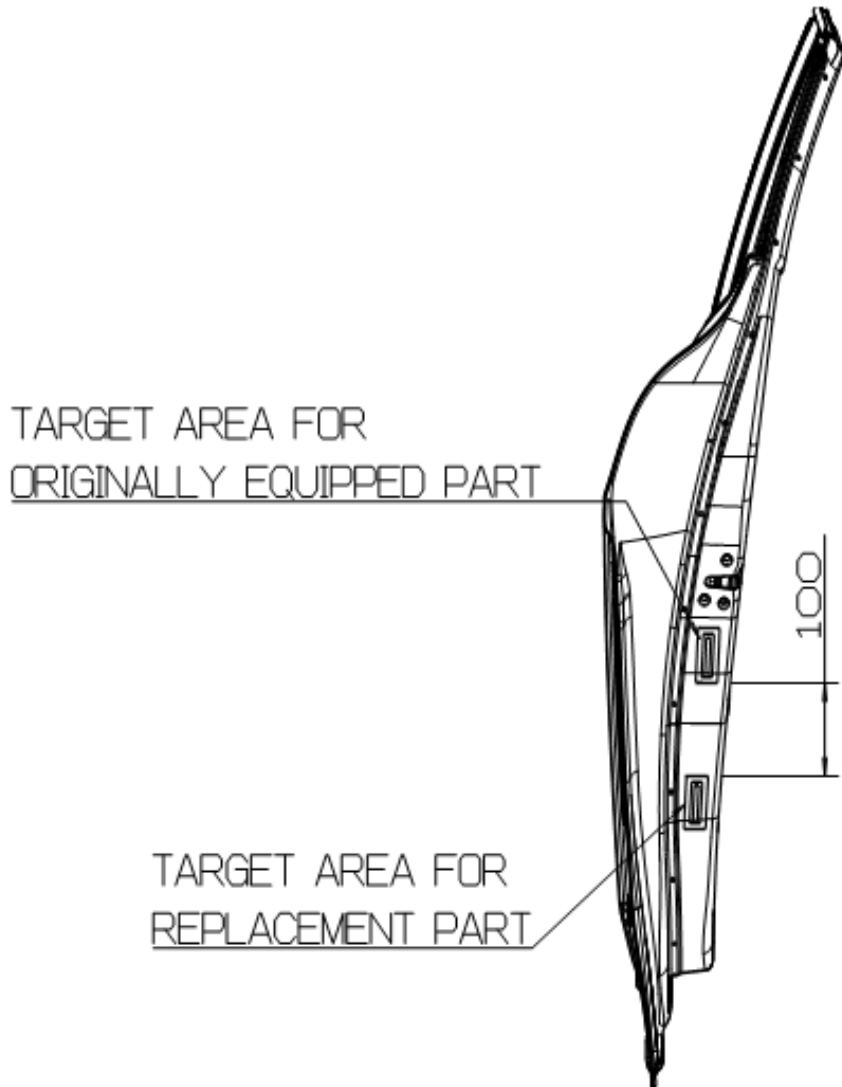


PNL-FENDER, LH/RH

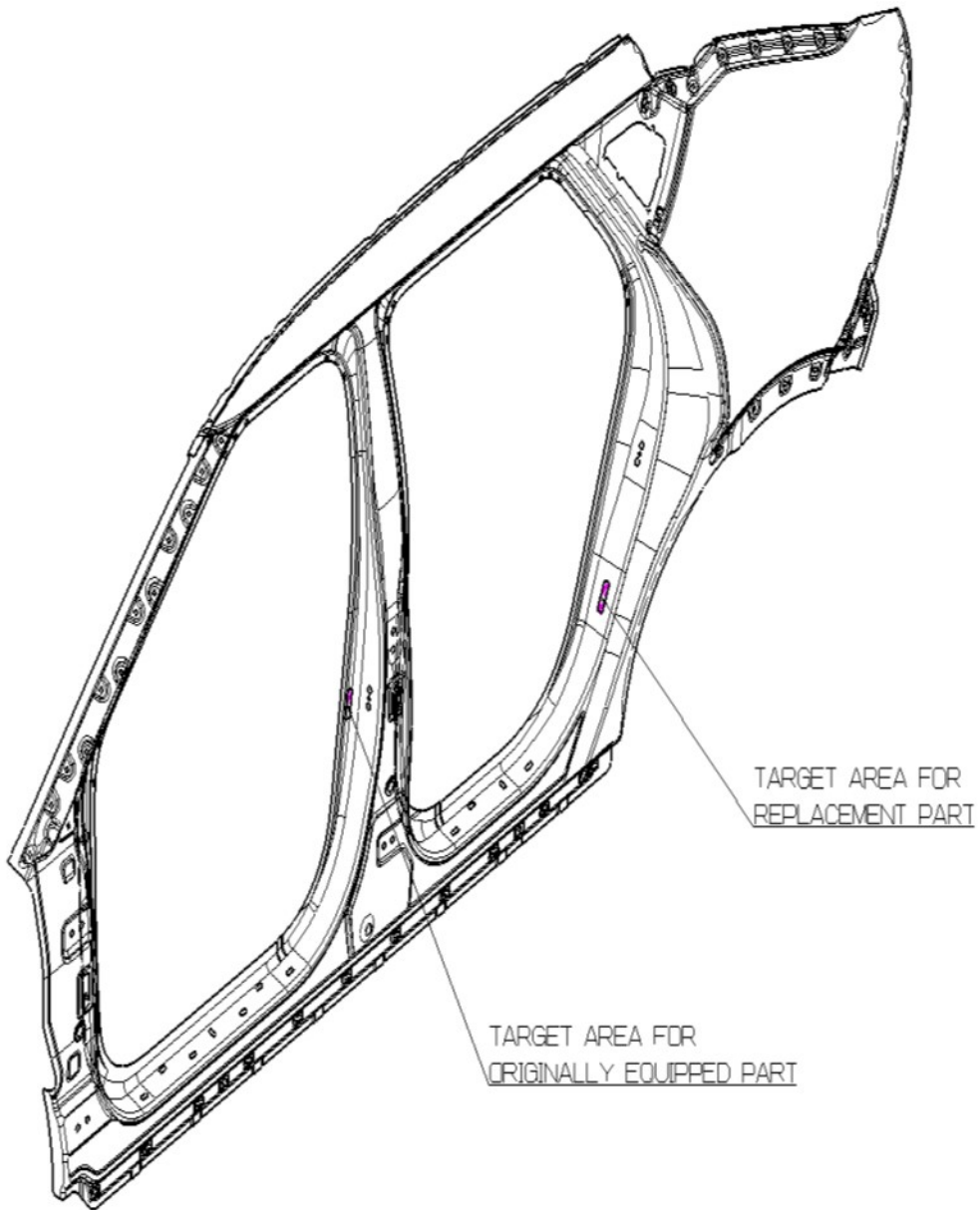
Front Door (LH/RH)



Rear Door (LH/RH)

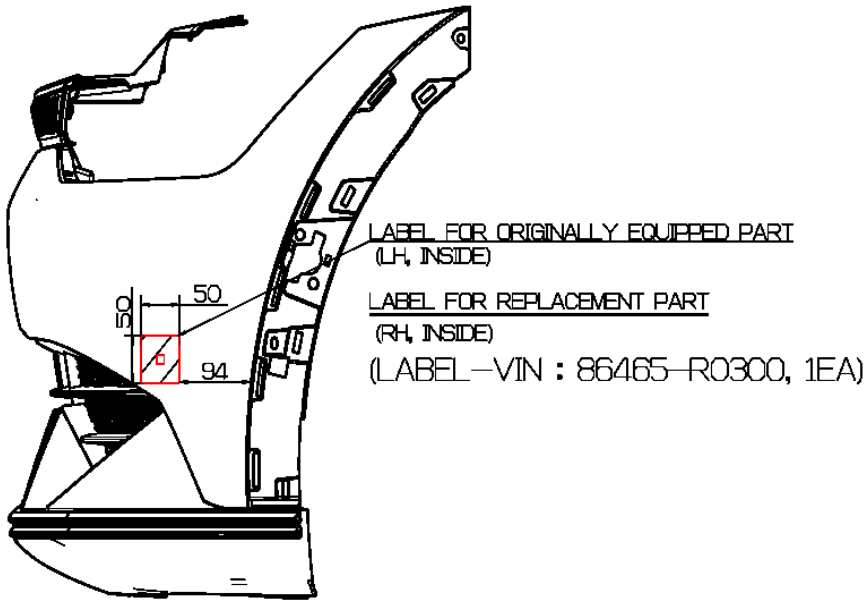


Side Outer Panel (LH/RH)

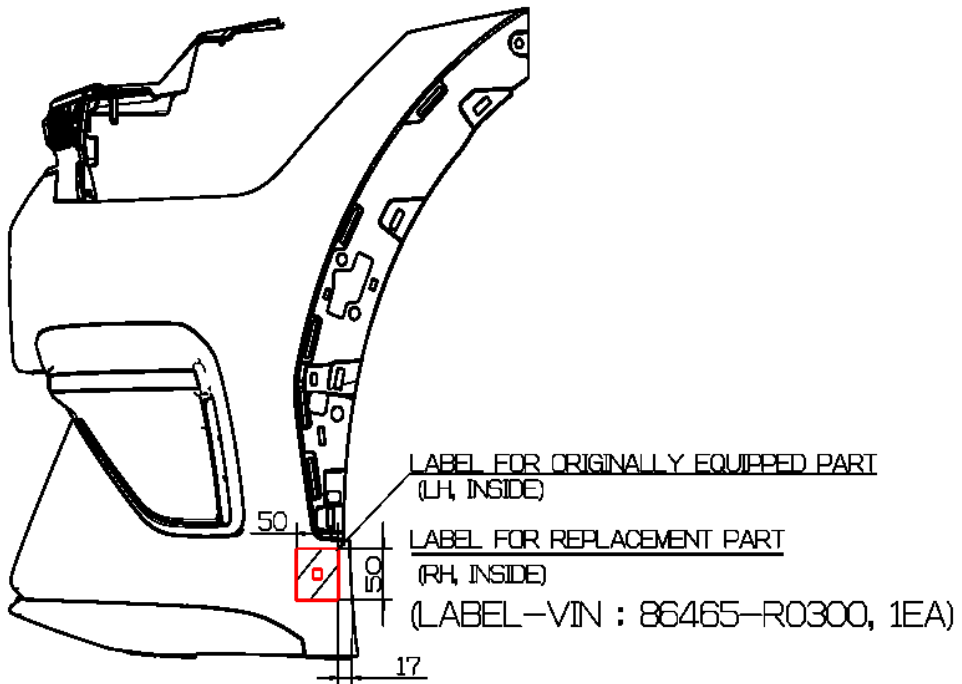


PNL-SIDE OTR, LH/RH

Front Bumper

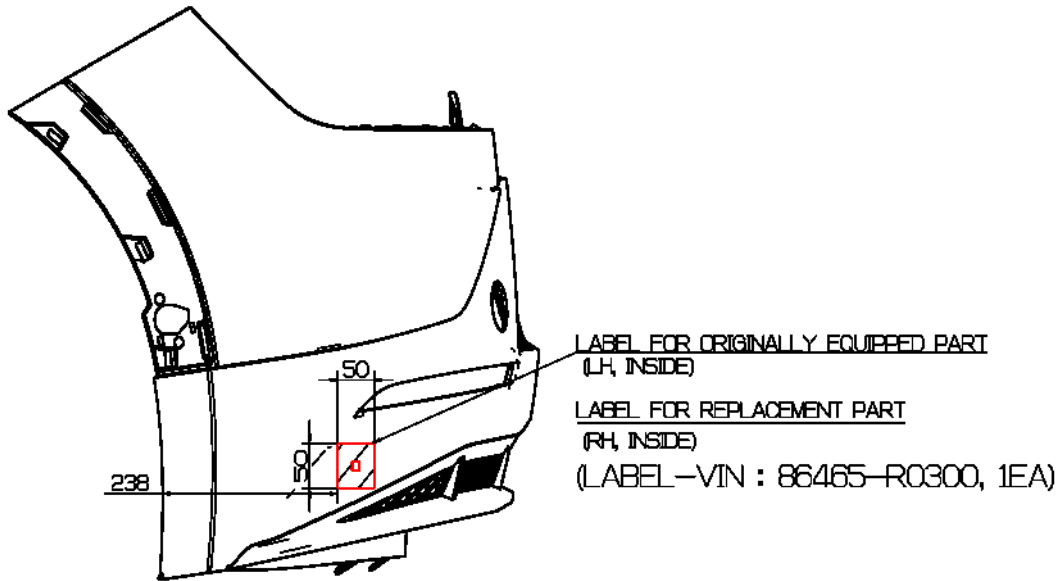


FR BUMPER ASSY (STD)

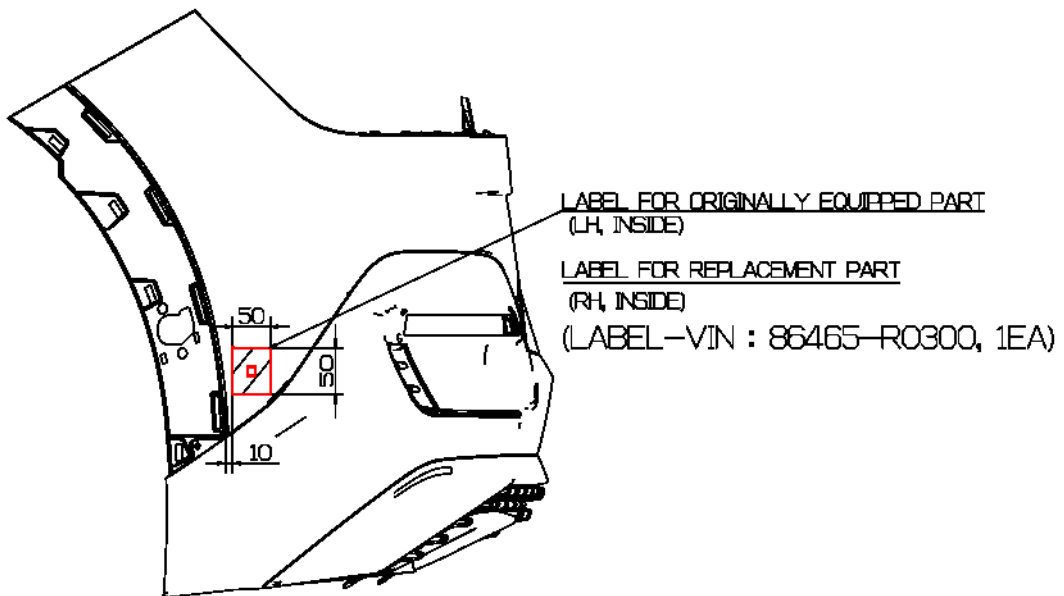


FR BUMPER ASSY (GT-LINE)

Rear Bumper



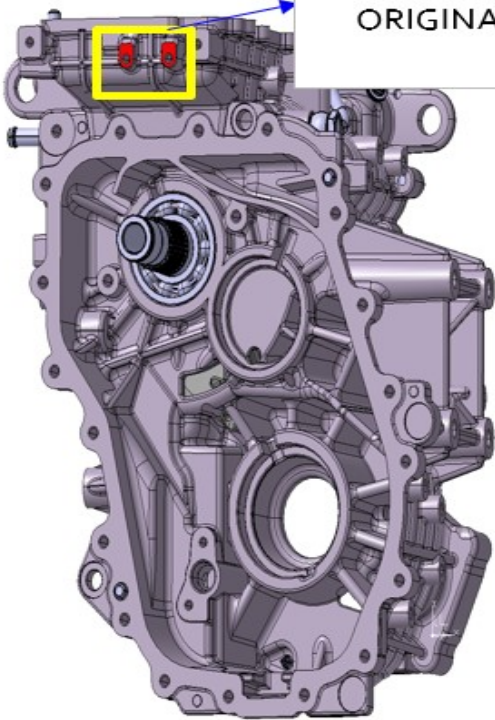
RR BUMPER ASSY (STD)



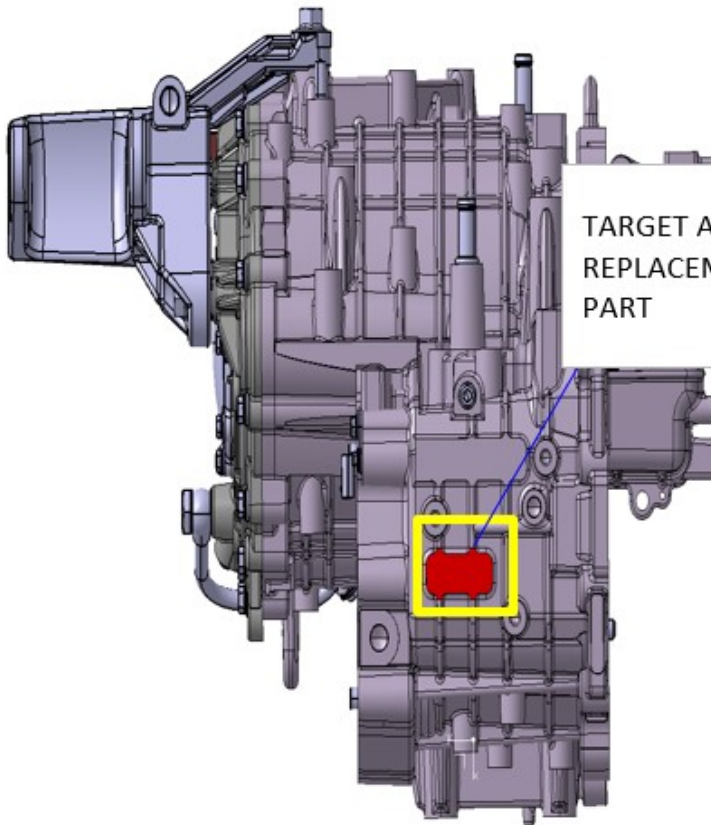
RR BUMPER ASSY (GT-LINE)

CV Motor (FR)

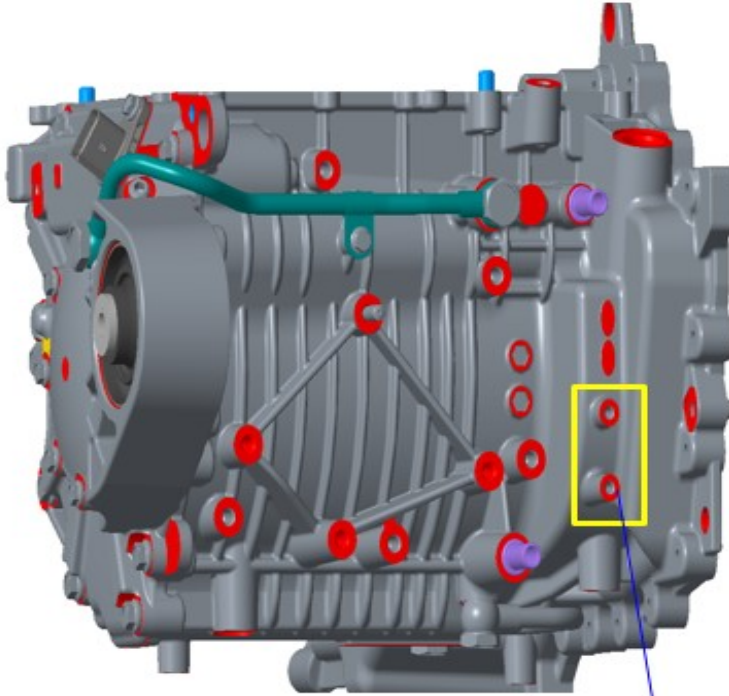
TARGET AREA FOR
ORIGINALLY EQUIPPED
PART



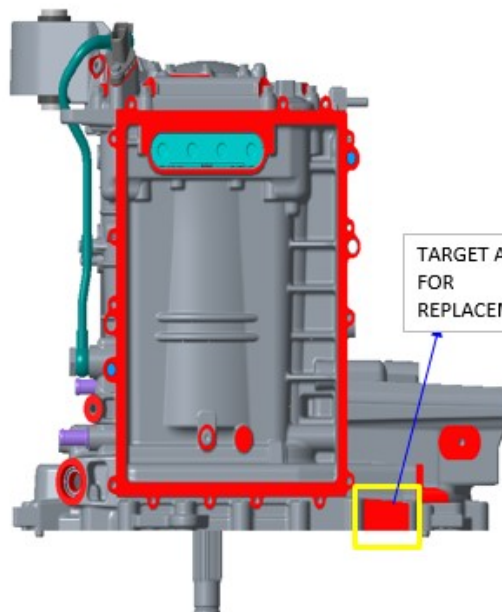
TARGET AREA FOR
REPLACEMENT
PART



CV Motor (RR)



TARGET AREA FOR
ORIGINALLY
EQUIPPED PART



TARGET AREA
FOR
REPLACEMENT