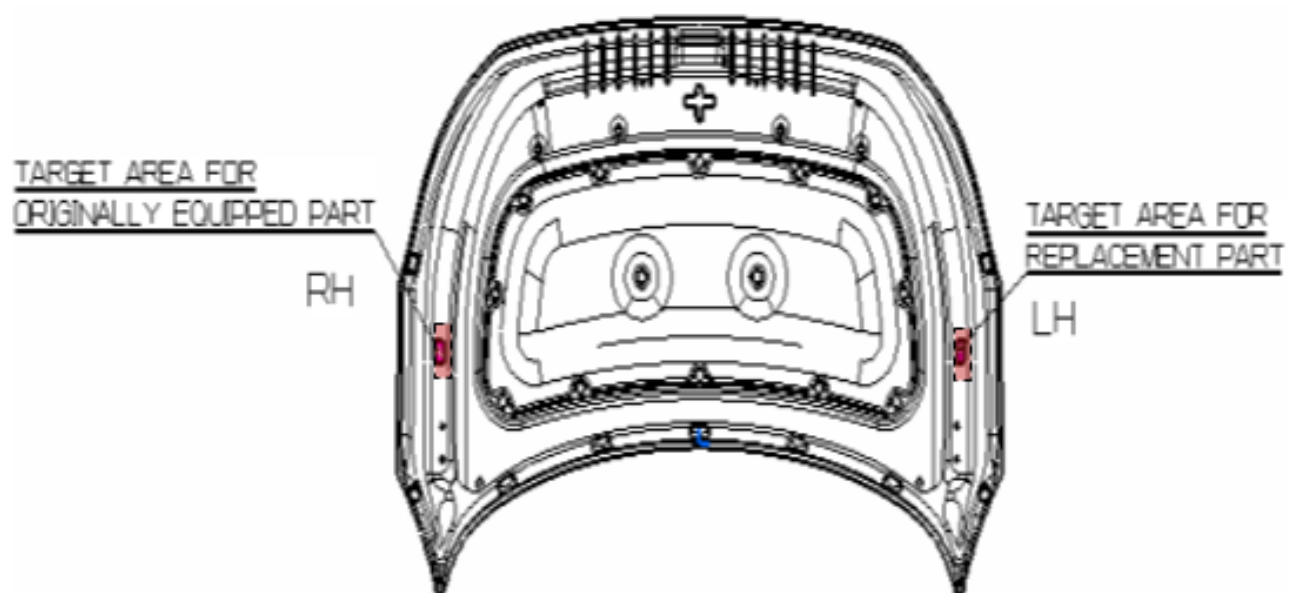


VIN marking area for Ioniq 5 model

- 1. Hood**
- 2. Tail gate**
- 3. Front Fender (LH/RH)**
- 4. Front Door (LH/RH)**
- 5. Rear Door (LH/RH)**
- 6. Side Outer Panel (LH/RH)**
- 7. Front Bumper**
- 8. Rear Bumper**
- 9. Motor & Decelerator (FR/RR)**



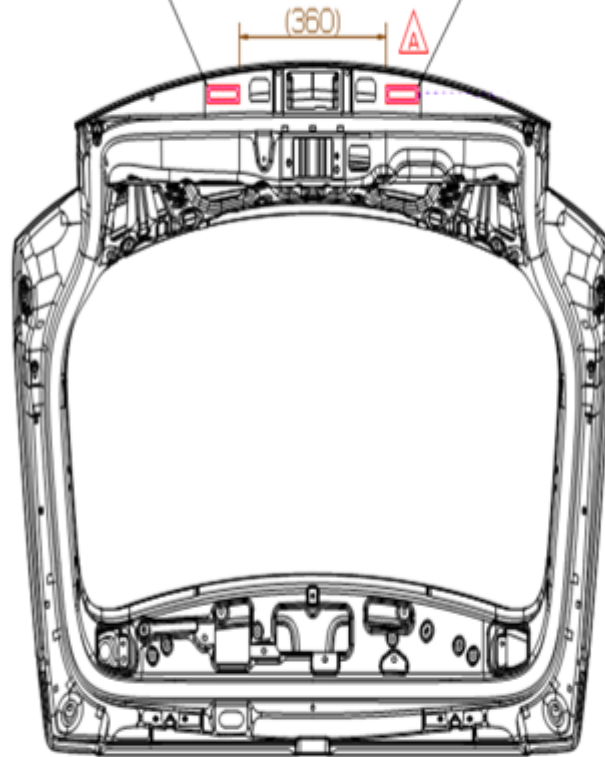
Hood



Tail Gate

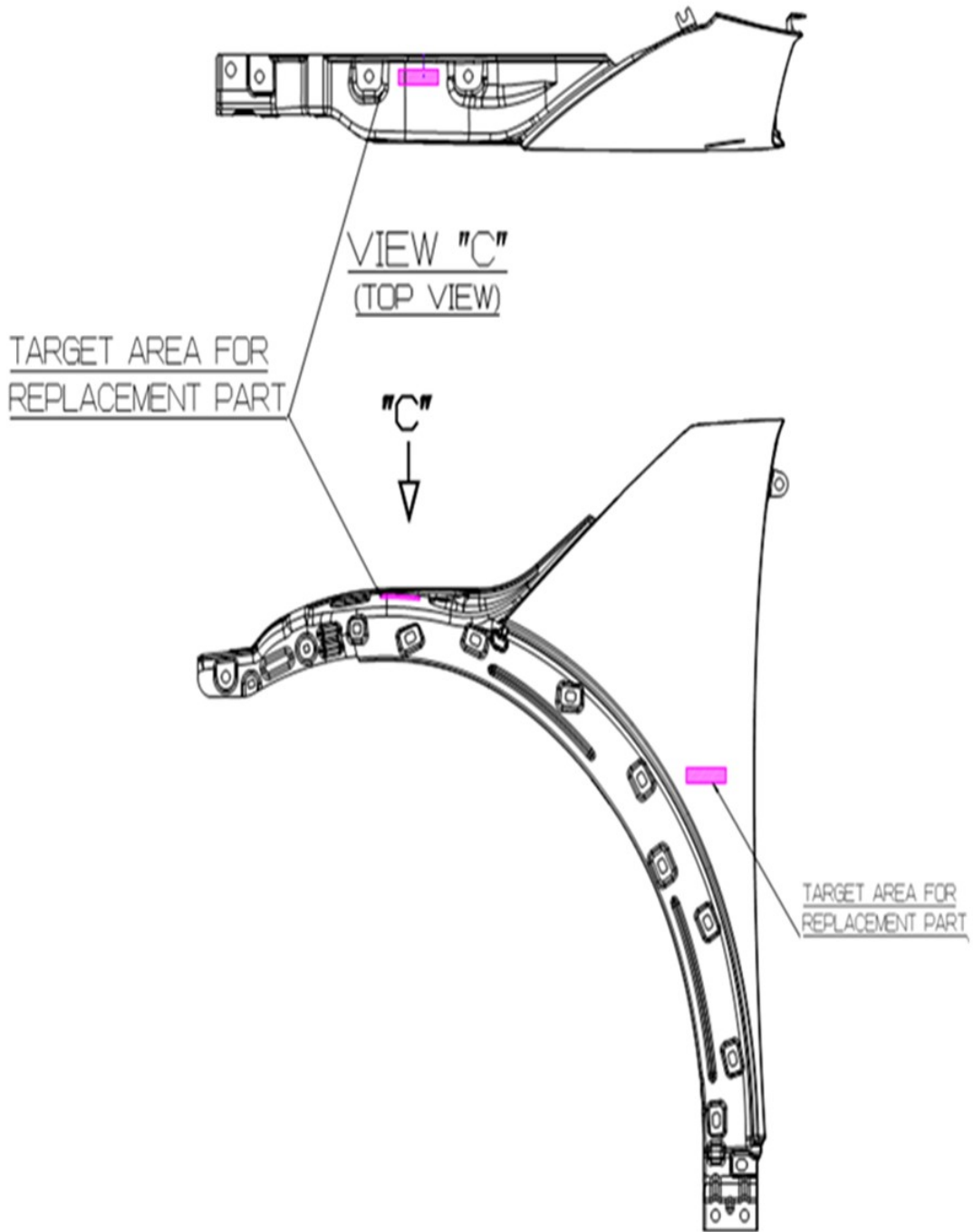
TARGET AREA FOR
REPLACEMENT PART

TARGET AREA FOR
ORIGINALLY EQUIPPED PART

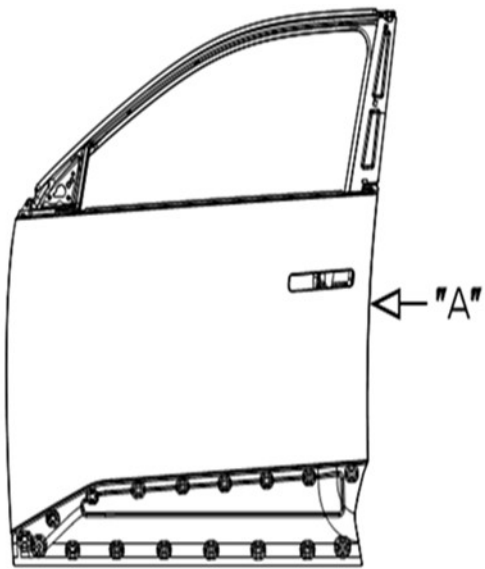


PNL ASSY-T/GATE
(SCALE 1:10)

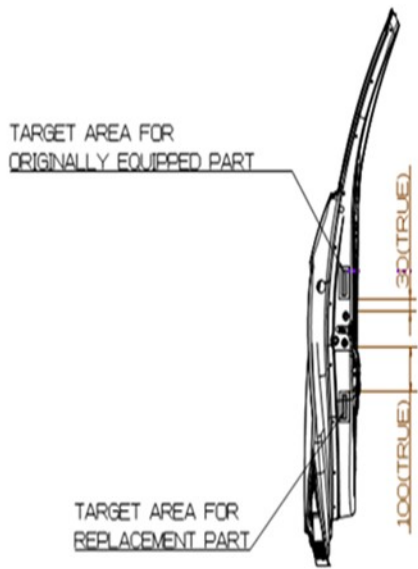
Front Fender (LH/RH)



Front Door (LH/RH)

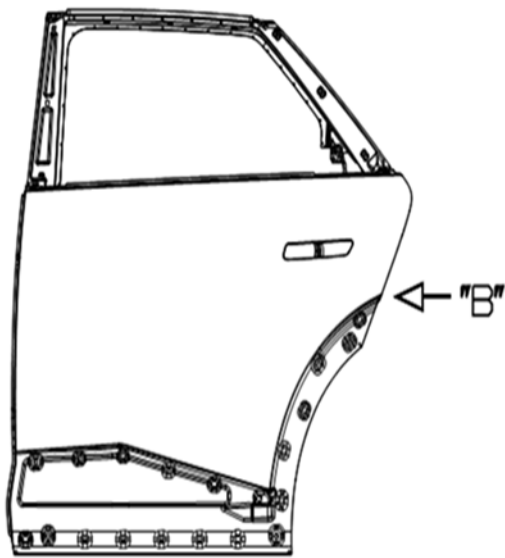


PNL ASSY-FR DR, LH/RH
(SCALE 1:10)

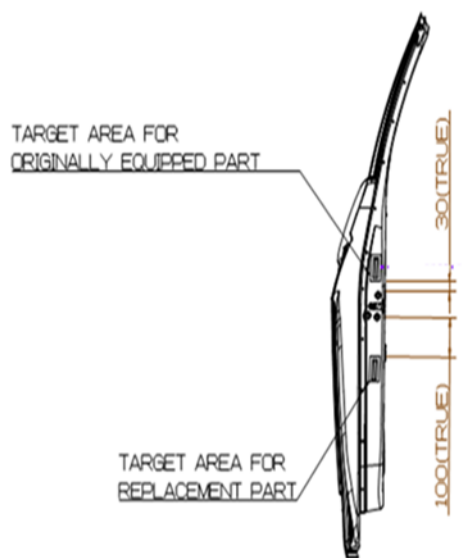


VIEW "A"
(REAR VIEW)

Rear Door (LH/RH)

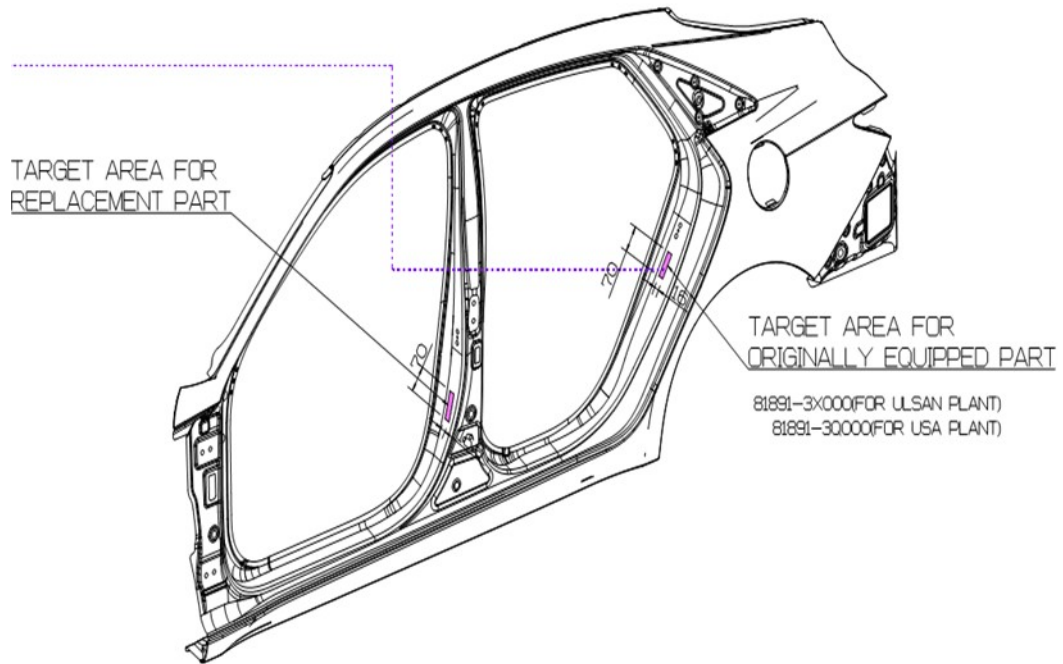


PNL ASSY-RR DR, LH/RH
(SCALE 1:10)



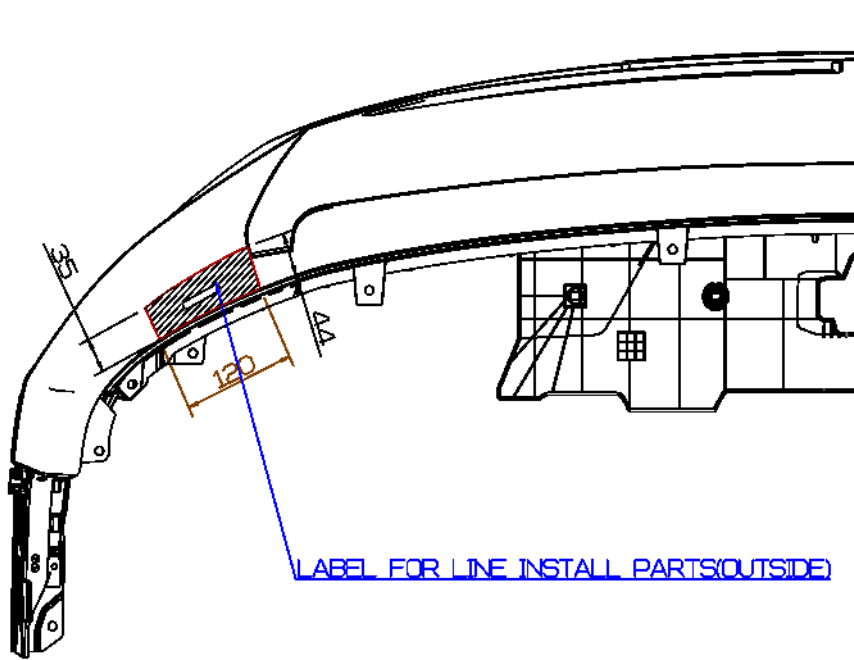
VIEW "B"
(REAR VIEW)

Side Outer Panel (LH/RH)

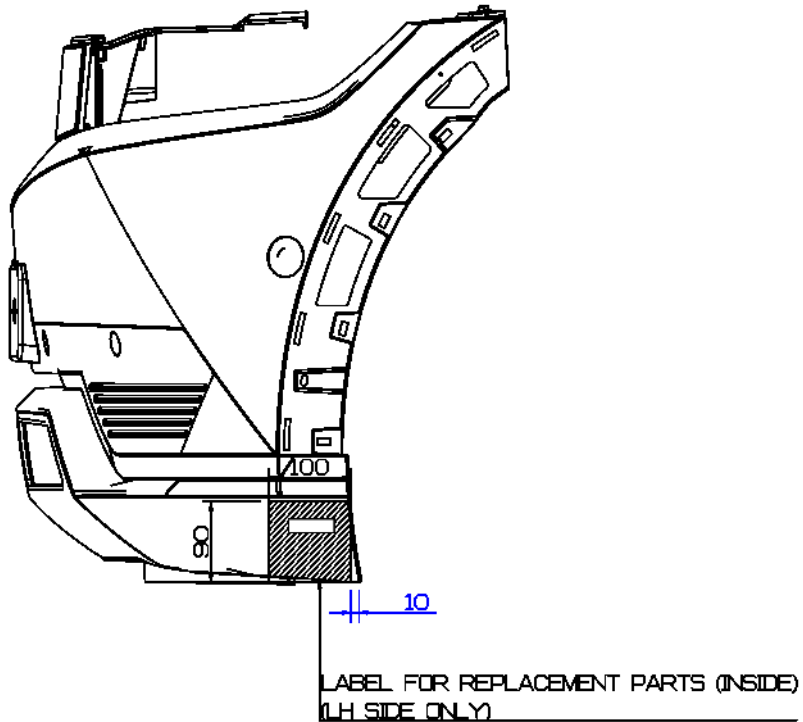


PNL-SIDE OTR, LH/RH
(SCALE 1:10)

Front Bumper



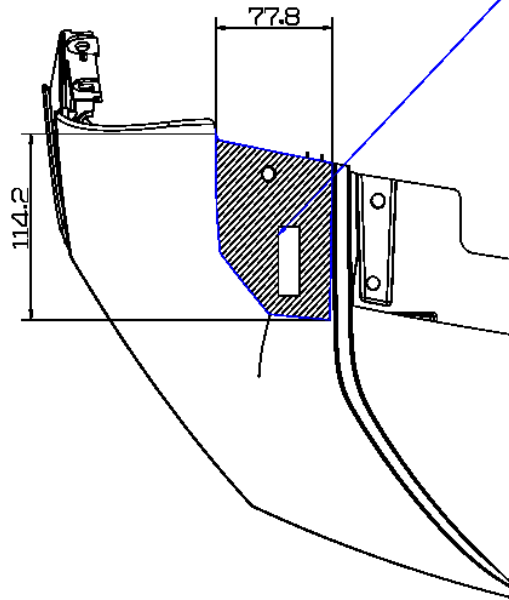
Front Bumper – Bottom view (RH)



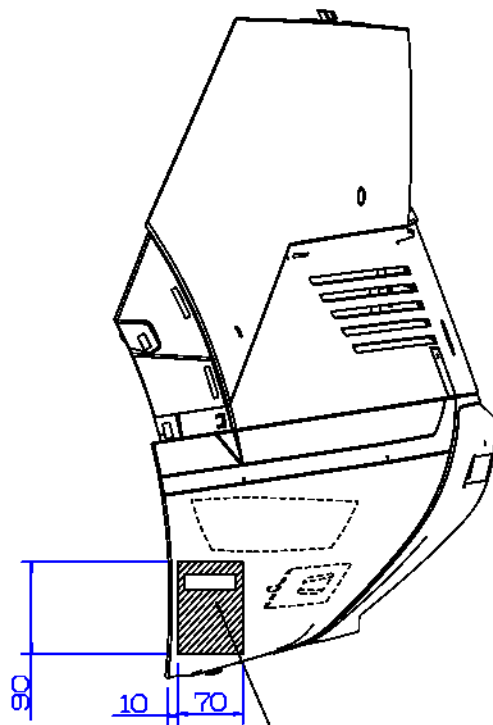
Front Bumper – side view

Rear Bumper

LABEL FOR LINE INSTALL PARTS (OUTSIDE)



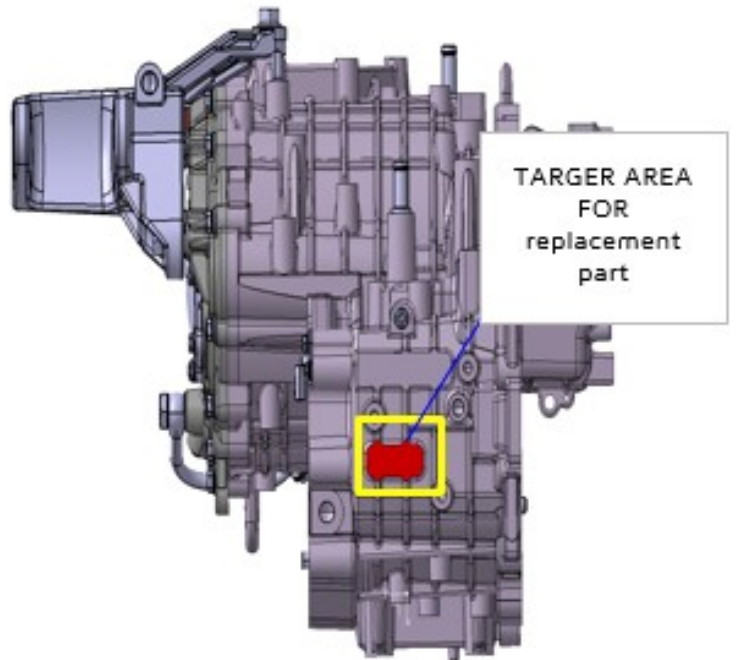
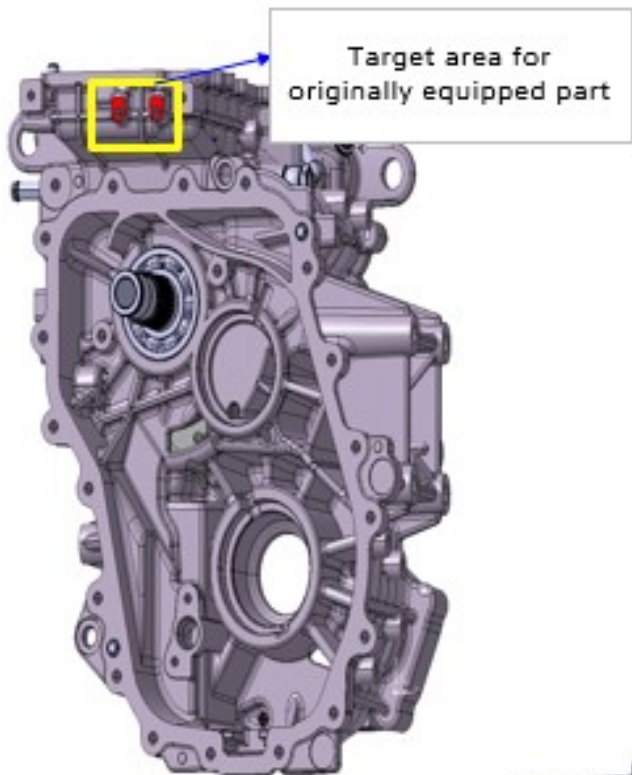
Rear Bumper – Bottom view (RH)



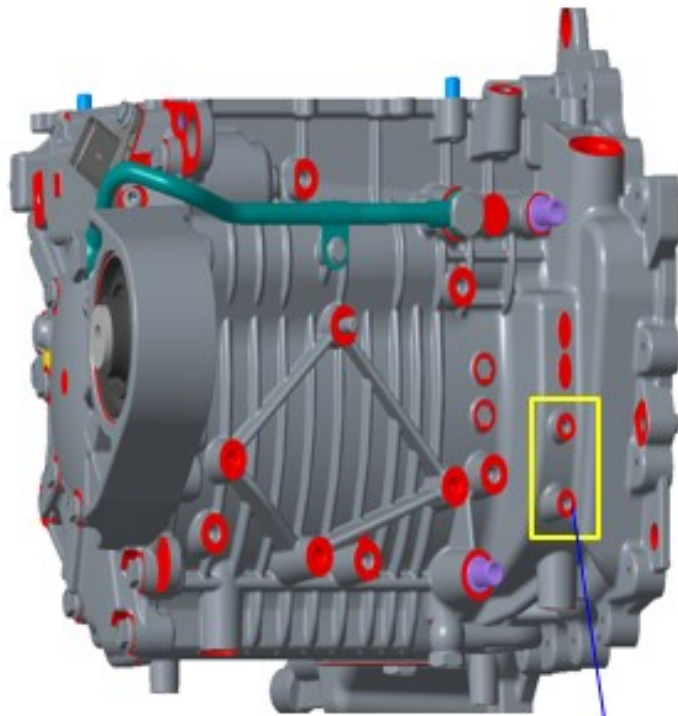
LABEL FOR REPLACEMENT PARTS (INSIDE, LH)

Rear Bumper – side view

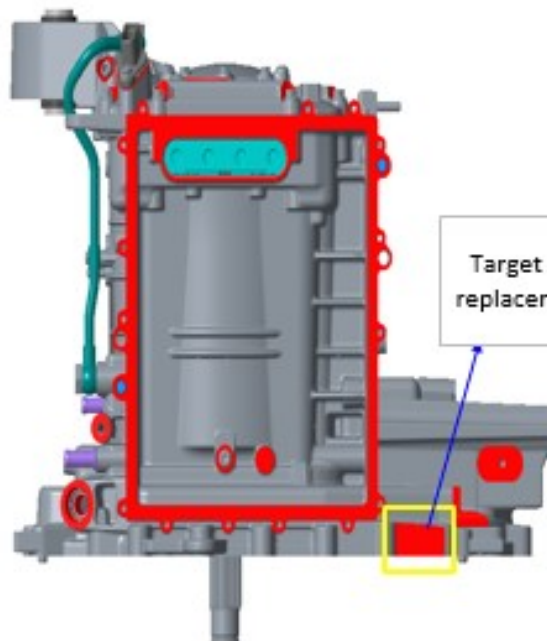
Front Motor



Rear Motor



Target area for
originally equipped
part



Target area for
replacement part