

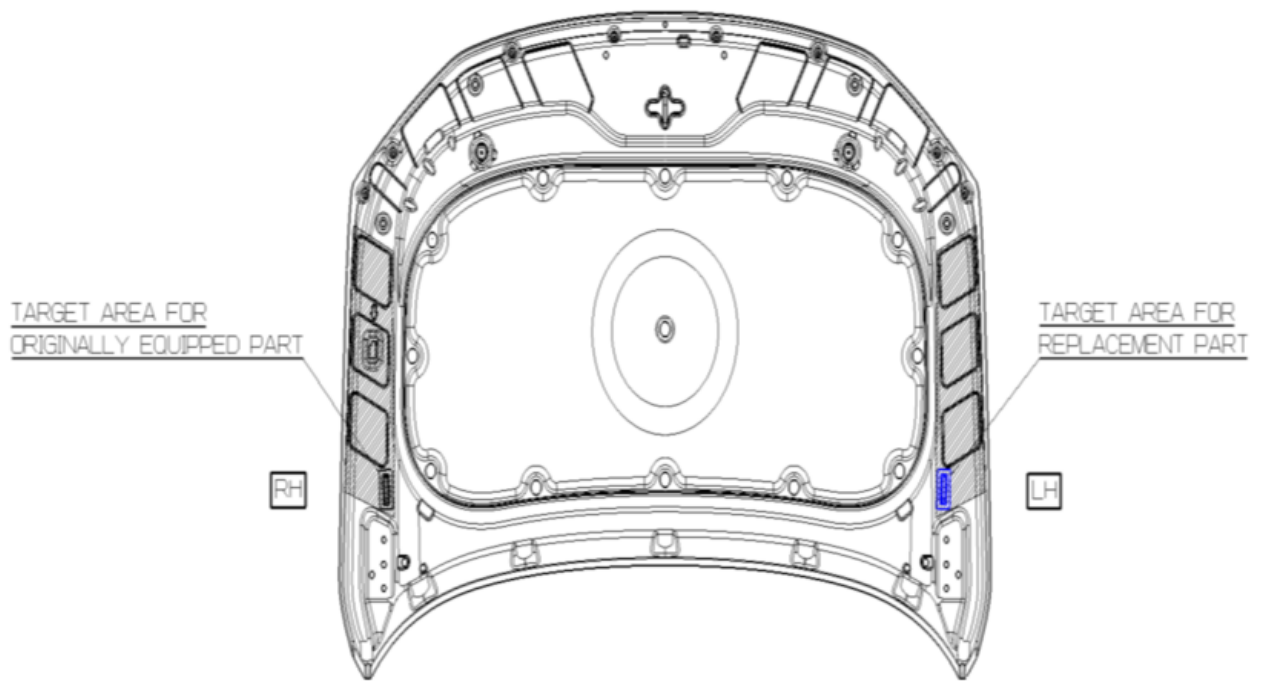
## **VIN marking area for Santa Cruz model**

---

- 1. Hood**
- 2. Tail gate**
- 3. Front Fender (LH/RH)**
- 4. Front Door (LH/RH)**
- 5. Rear Door (LH/RH)**
- 6. Side Outer Panel (LH/RH)**
- 7. Front Bumper**
- 8. Rear Bumper**
- 9. Engine [G 2.5 GDI/T-GDI Theta III ]**
- 10. Transmission [AT]**
- 11. Transmission [DCT]**
- 12. Pickup box**



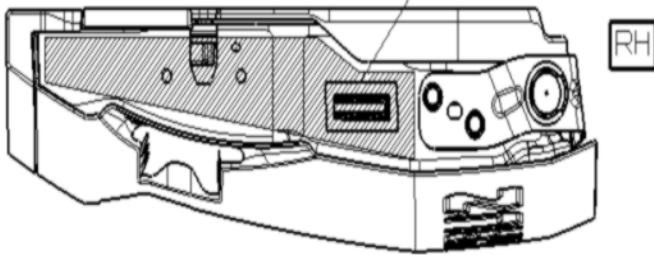
# Hood



PNL ASSY-HOOD  
(SCALE 3/20)

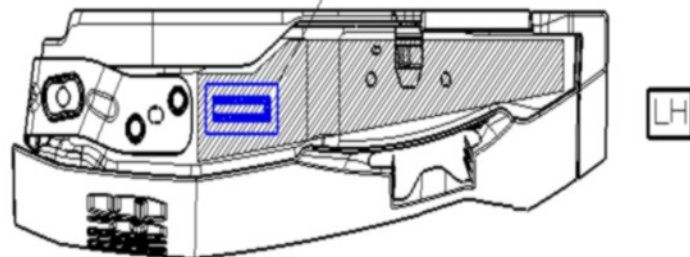
# Tailgate

TARGET AREA FOR  
ORIGINALLY EQUIPPED PART  
APPLY ON RH SIDE



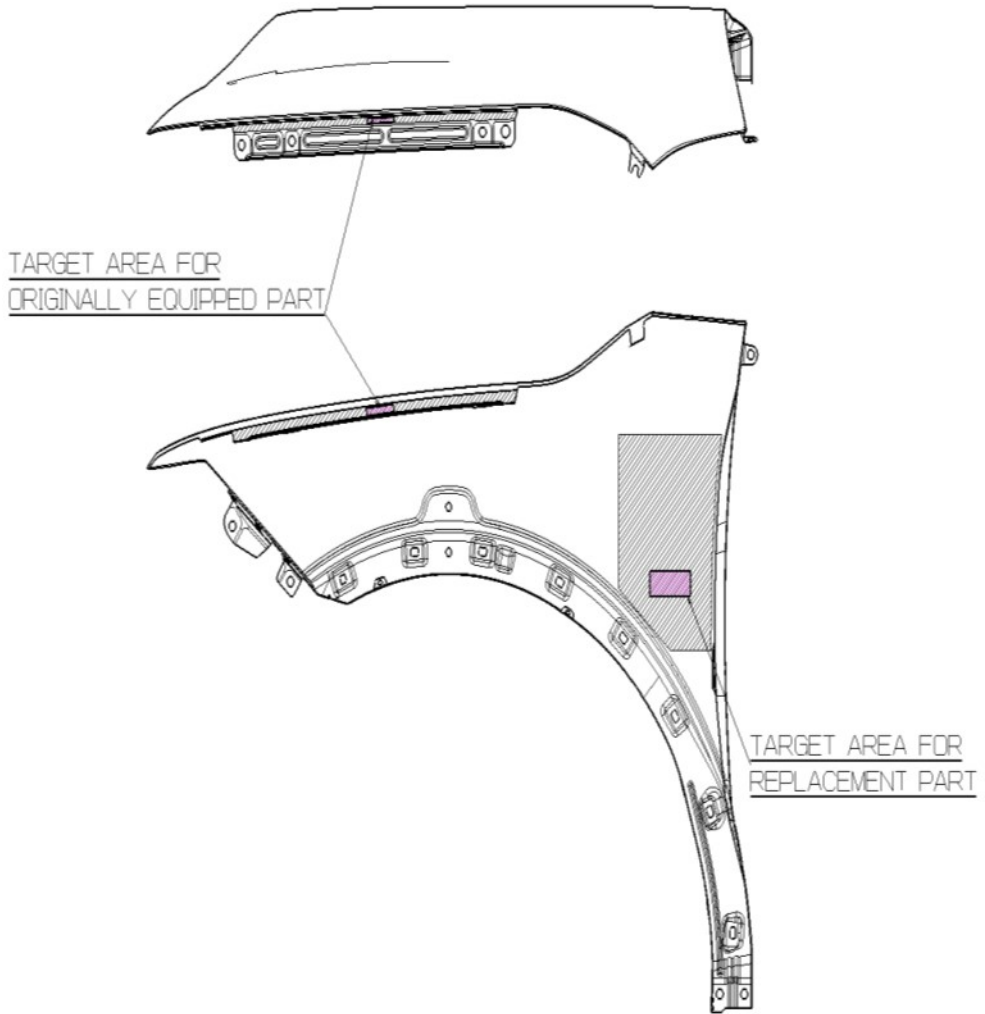
PNL ASSY-T/GATE (RH)  
(SCALE 3/10)

TARGET AREA FOR  
REPLACEMENT PART  
APPLY ON LH SIDE



PNL ASSY-T/GATE (LH)  
(SCALE 3/10)

# Front Fender (LH/RH)



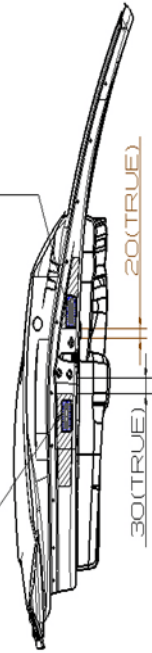
PNL-FENDER, LH/RH

# Front Door (LH/RH)

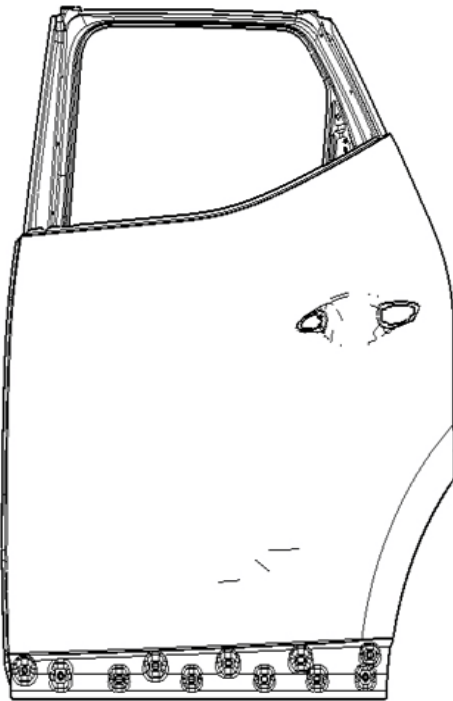


TARGET AREA FOR  
ORIGINALLY EQUIPPED PART

TARGET AREA FOR  
REPLACEMENT PART

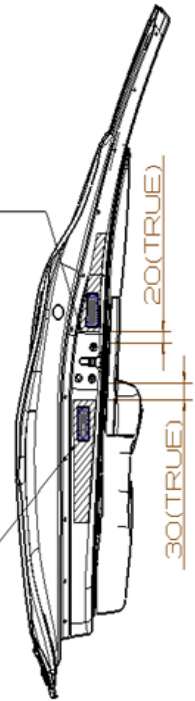


# Rear Door (LH/RH)

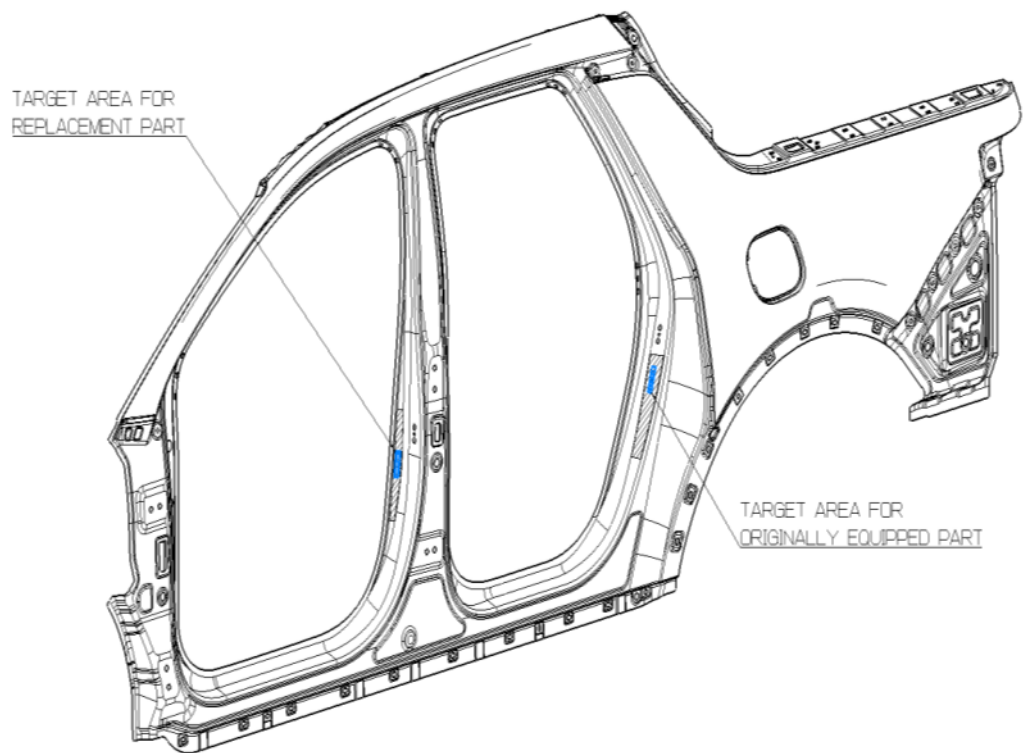


TARGET AREA FOR  
ORIGINALLY EQUIPPED PART

TARGET AREA FOR  
REPLACEMENT PART

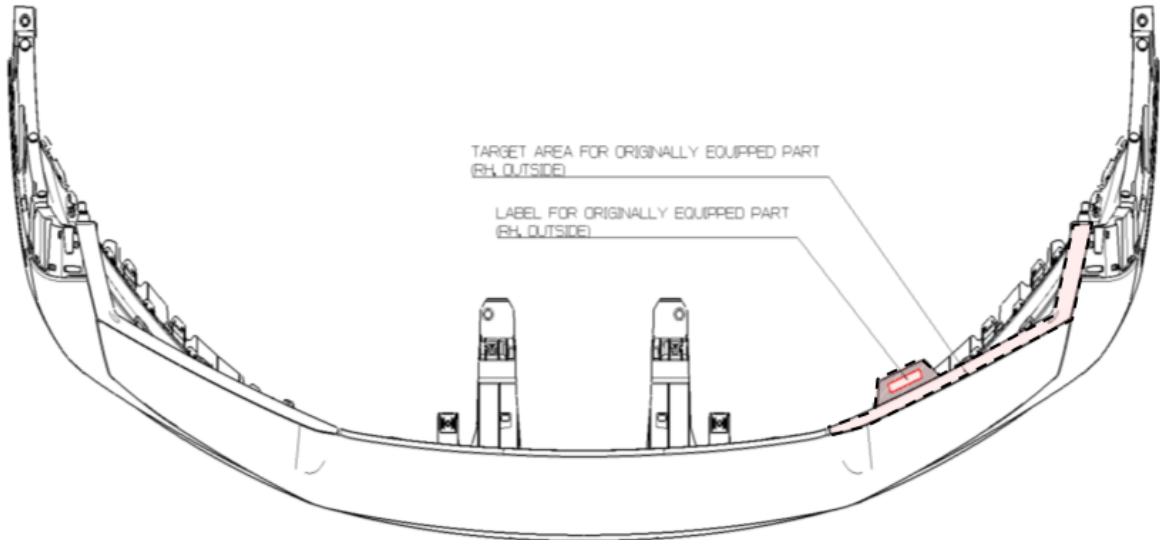


# Side Outer Panel (LH/RH)

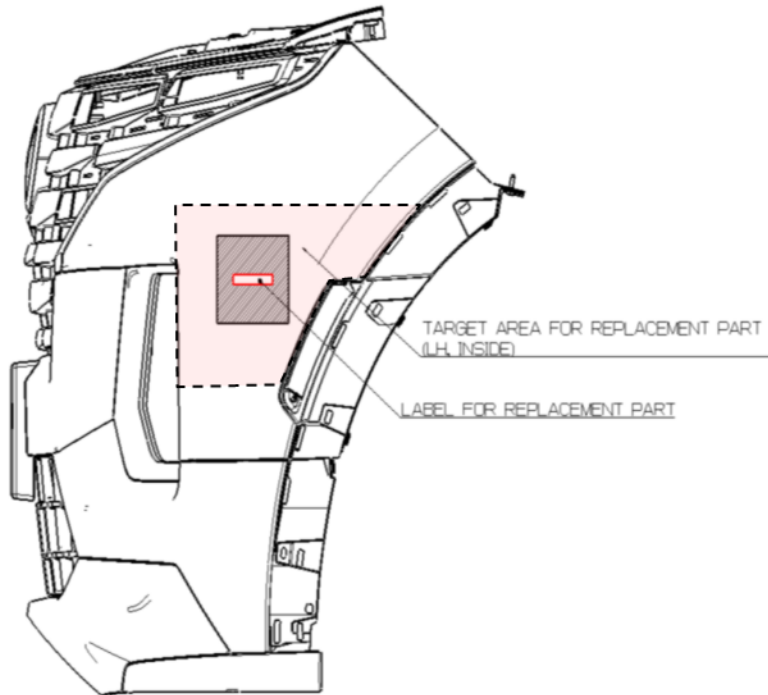


PNL-SIDE OTR, LH/RH

# Front Bumper



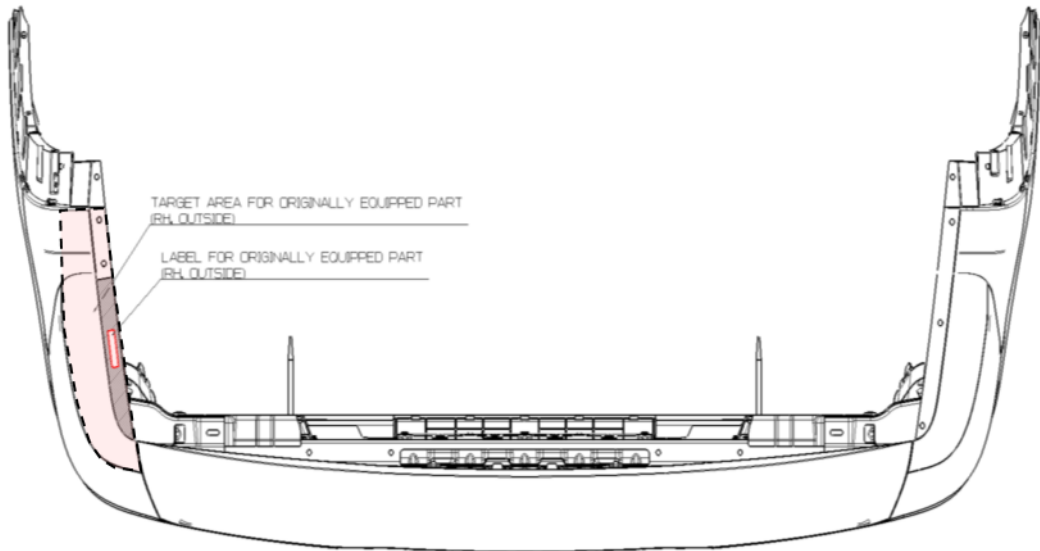
< FRONT BUMPER – BOTTOM VIEW >



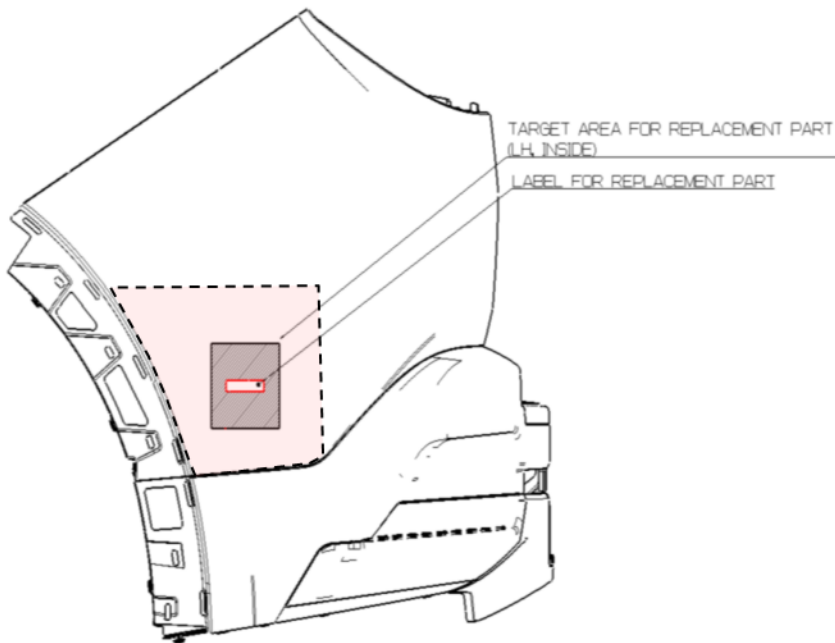
< FRONT BUMPER – SIDE VIEW >



# Rear Bumper

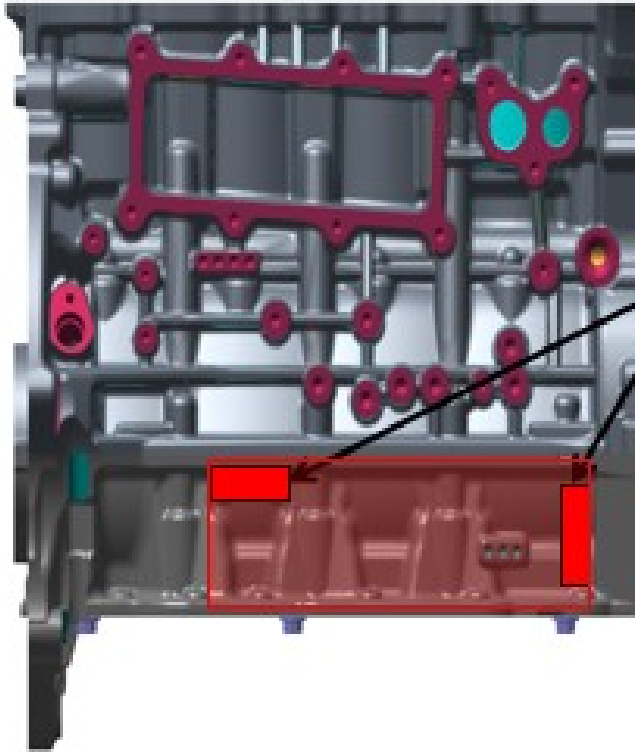


< REAR BUMPER – BOTTOM VIEW >

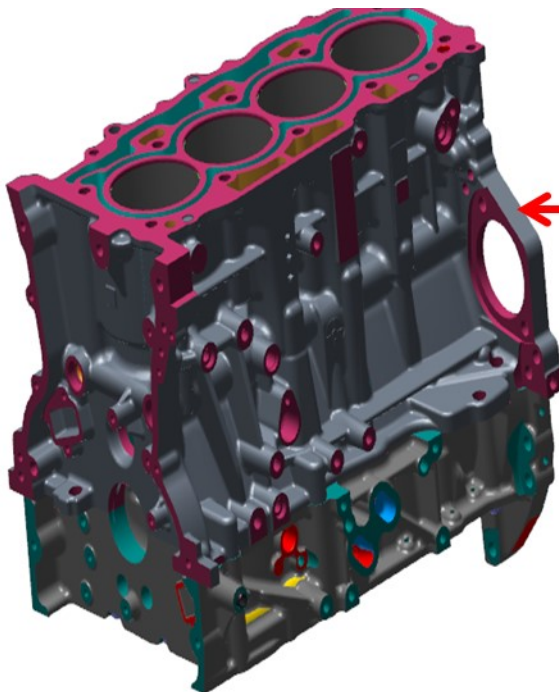


< REAR BUMPER – SIDE VIEW >

# Engine (G 2.5 DOHC GDI/T-GDI Theta III)



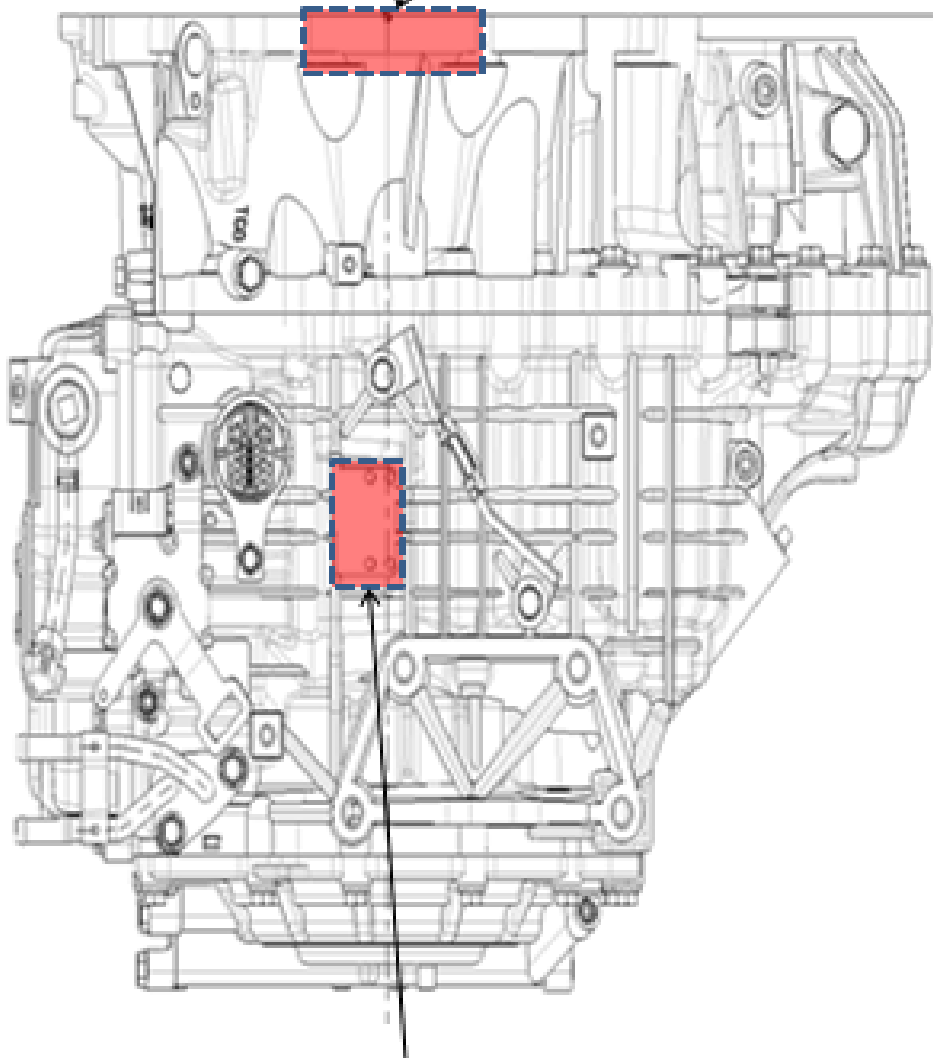
TARGET AREA FOR  
ORIGINALLY EQUIPPED  
PART  
(VIN PLATE)



TARGET AREA FOR  
REPLACEMENT PART

# Transmission (8AT)

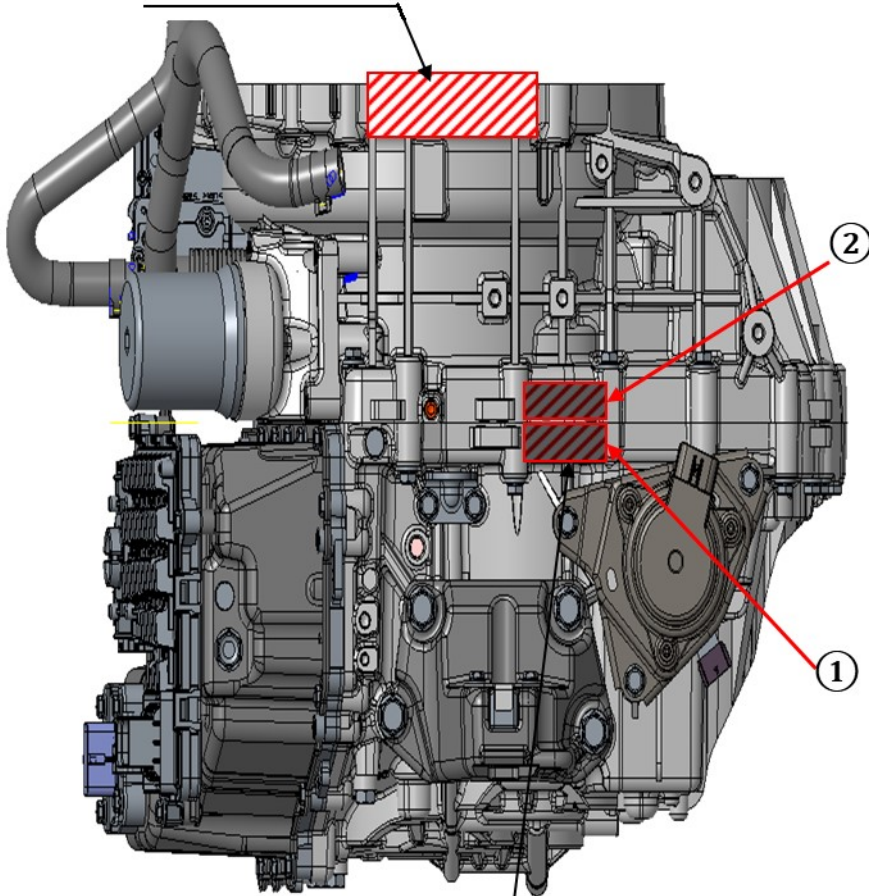
TARGET AREA FOR  
REPLACEMENT PART



TARGET AREA FOR ORIGINALLY  
EQUIPPED PART

# Transmission (8DCT)

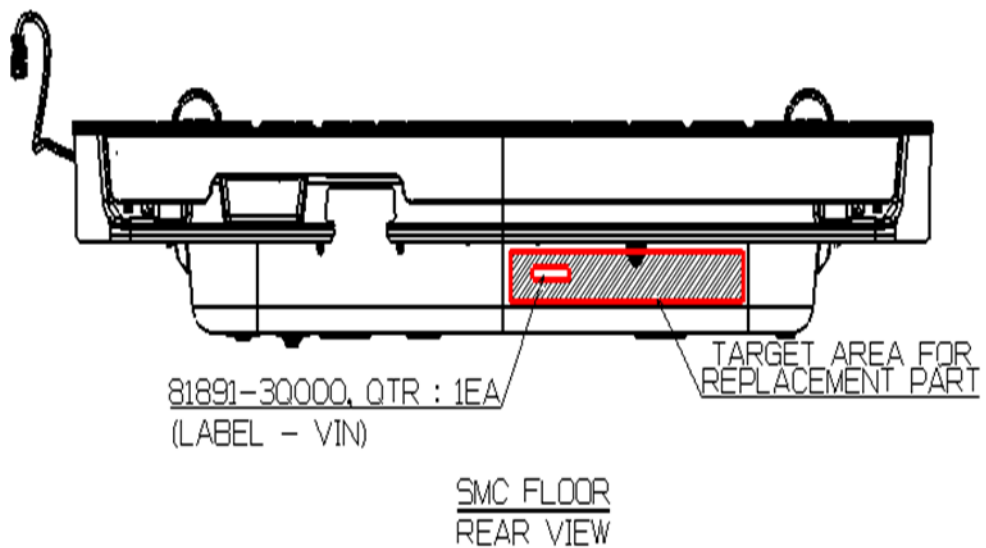
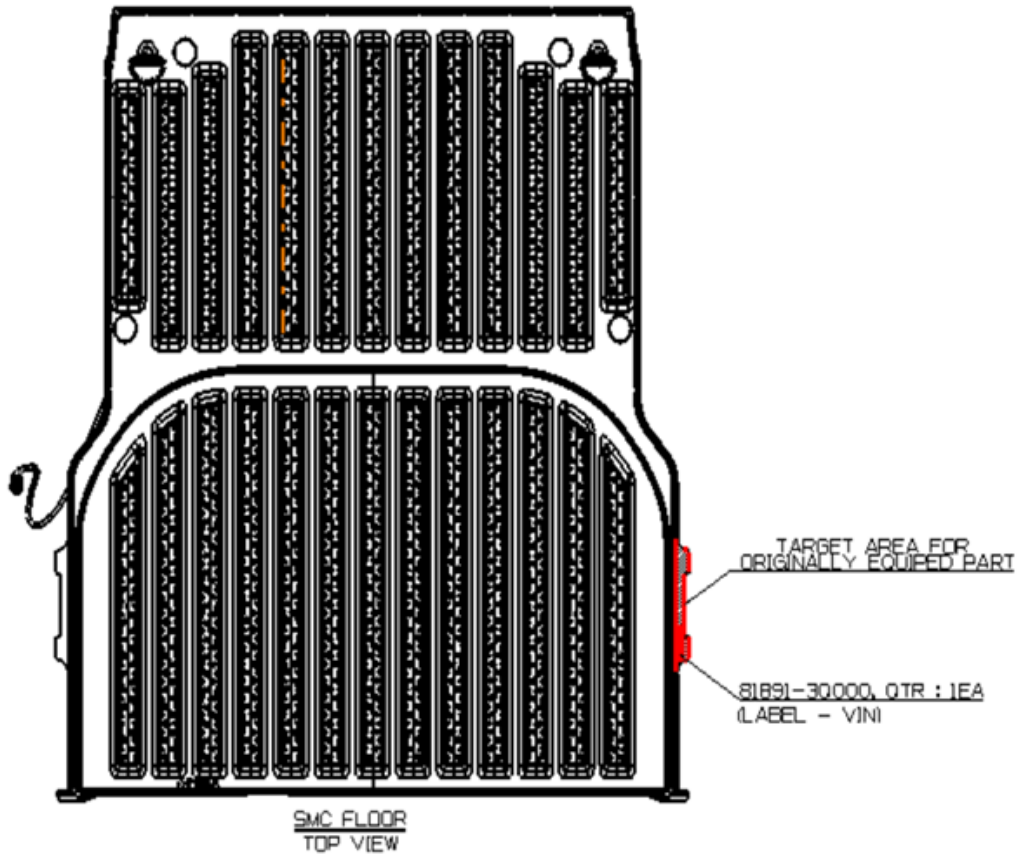
**TARGET AREA FOR  
REPLACEMENT PART**



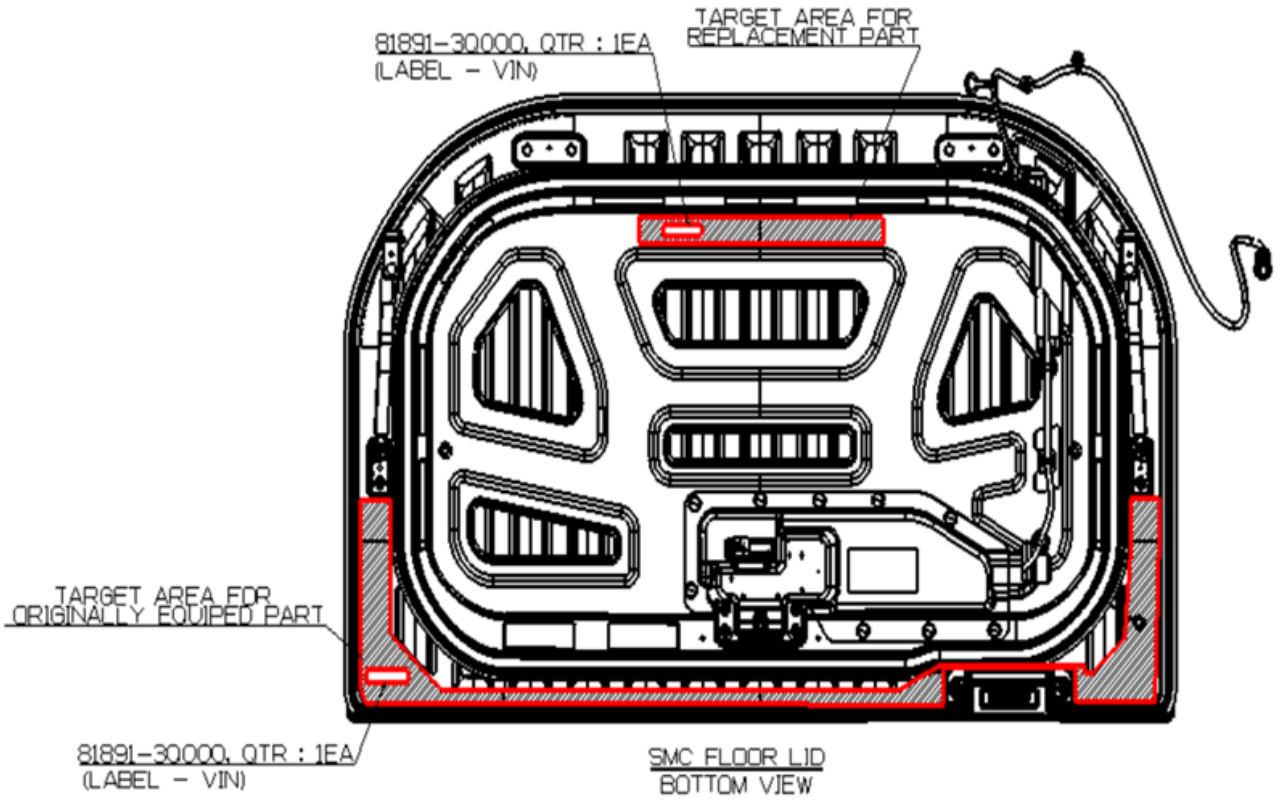
**TARGET AREA FOR  
ORIGINALLY EQUIPPED  
PART**

**※ VIN plate for originally equipped part  
will be attached to either ① or ②.**

# Pickup Box (Floor)



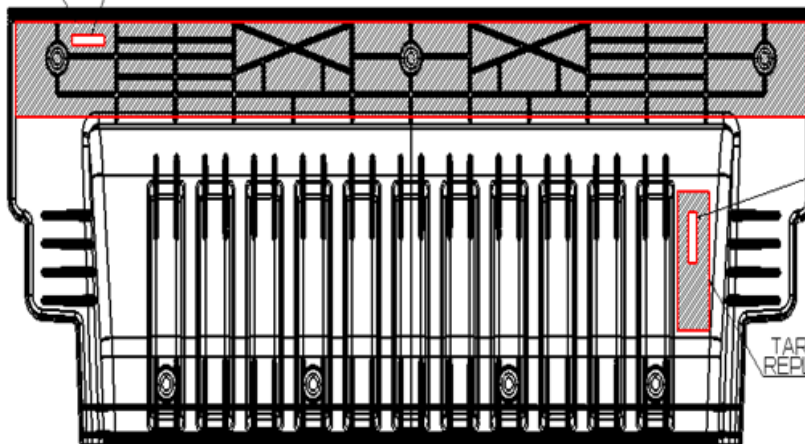
# Pickup Box (Lid)



# Pickup Box (Headboard)

TARGET AREA FOR  
ORIGINALLY EQUIPED PART

81891-30000, OTR : 1EA  
(LABEL - VIN)



81891-30000, OTR : 1EA  
(LABEL - VIN)

TARGET AREA FOR  
REPLACEMENT PART

HEADBOARD TRIM  
REAR VIEW

# Pickup Box (Sidewall)

