

VIN marking area for Palisade model

1. Hood
2. Tail gate
3. Front Fender (LH/RH)
4. Front Door (LH/RH)
5. Rear Door (LH/RH)
6. Side Outer Panel (LH/RH)
7. Front Bumper
8. Rear Bumper
9. Engine (3.8L GDI)
10. Transmission (AT)



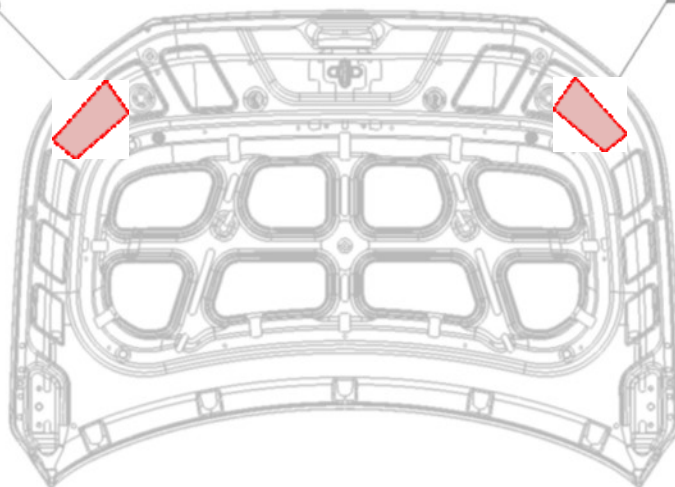
Hood

TARGET AREA FOR
REPLACEMENT PART (RH)

TARGET AREA FOR ORIGINALLY
EQUIPPED PART (LH)

RH

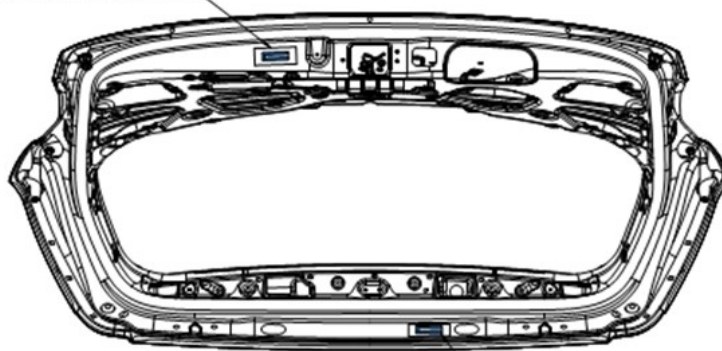
LH



Tail Gate

TARGET AREA FOR
REPLACEMENT EQUIPPED PART (LH)

LH

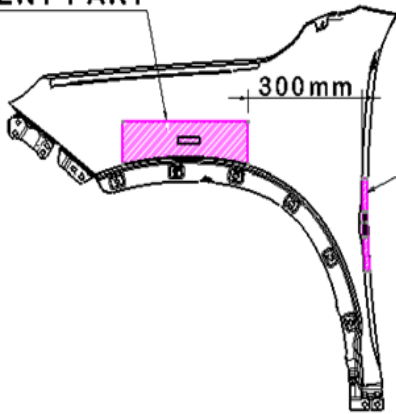


RH

TARGET AREA FOR ORIGINALLY
EQUIPPED PART (RH)

Front Fender (LH/RH)

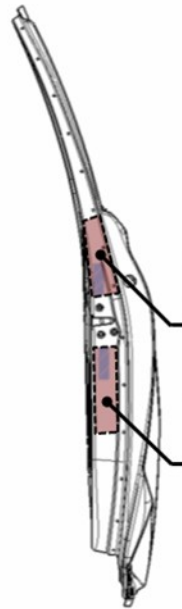
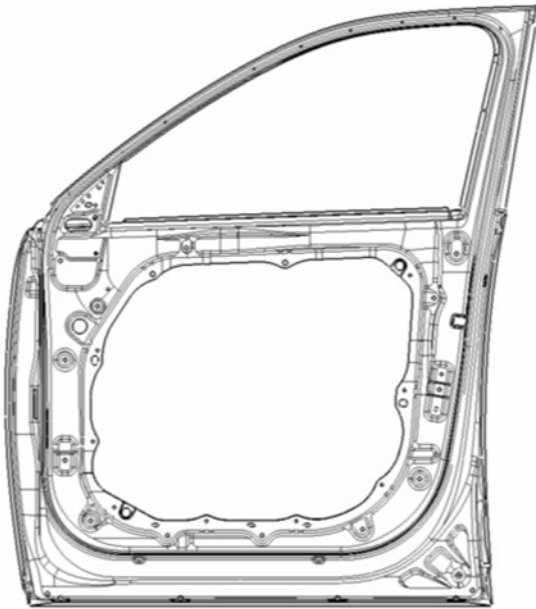
TARGET AREA FOR
REPLACEMENT PART



TARGET AREA FOR
ORIGINALLY EQUIPPED PART



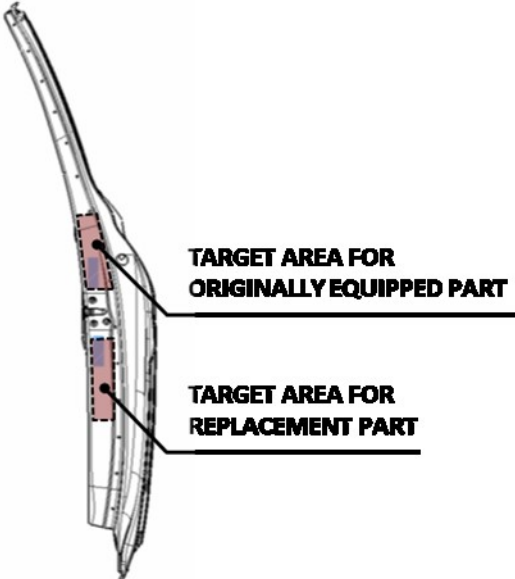
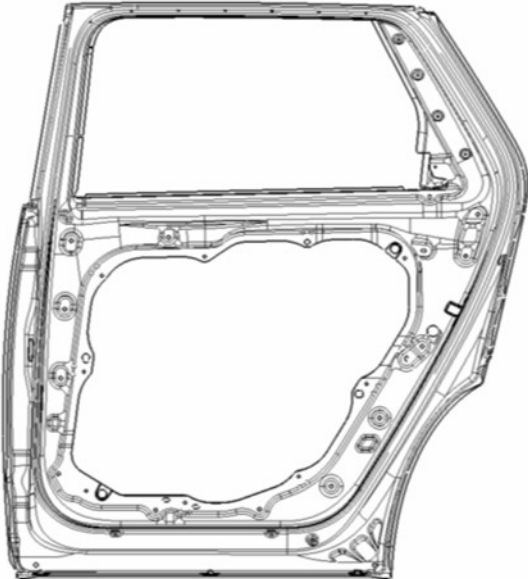
Front Door (LH/RH)



**TARGET AREA FOR
ORIGINALLY EQUIPPED PART**

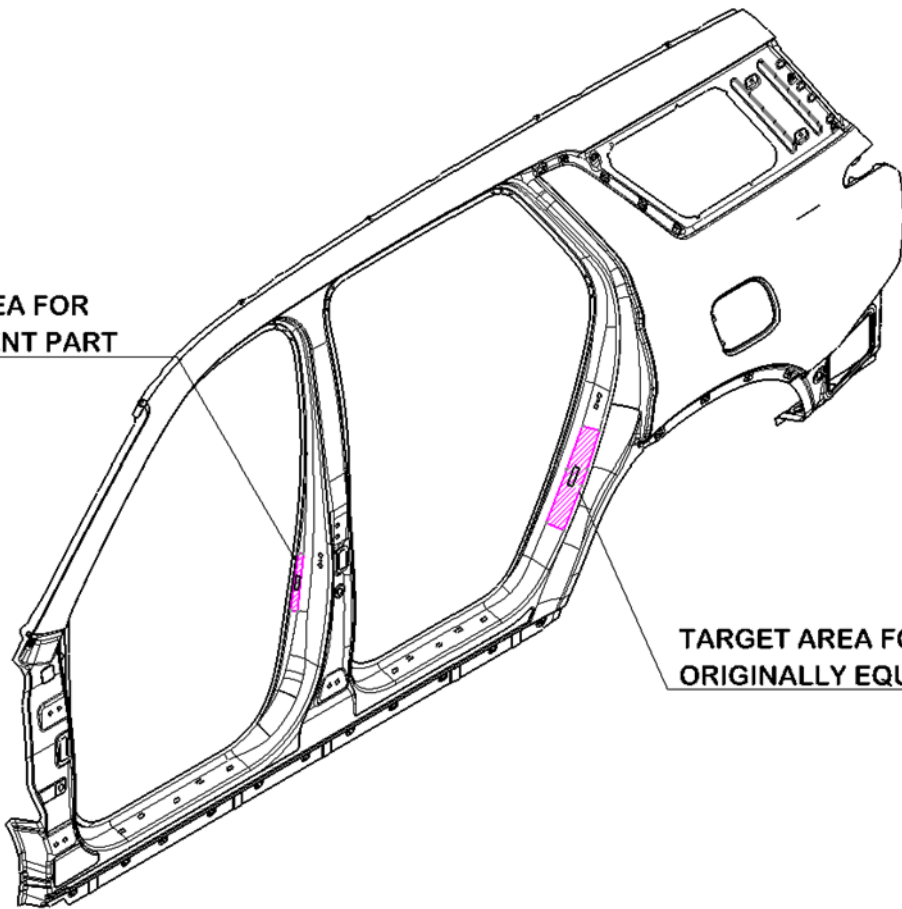
**TARGET AREA FOR
REPLACEMENT PART**

Rear Door (LH/RH)



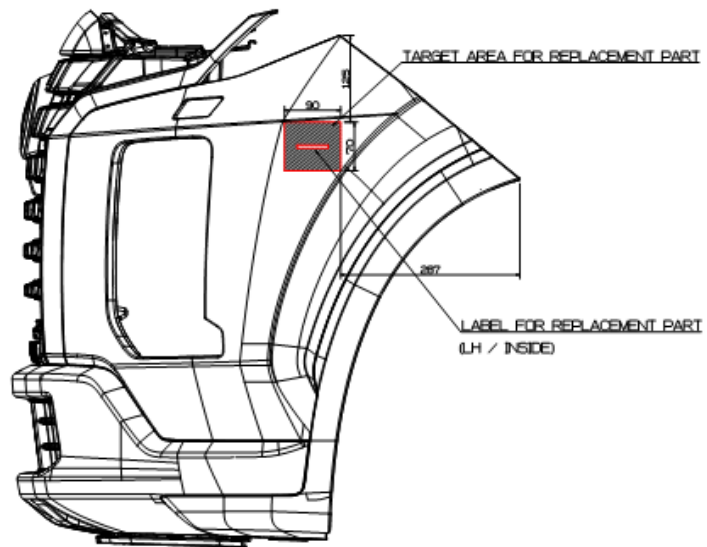
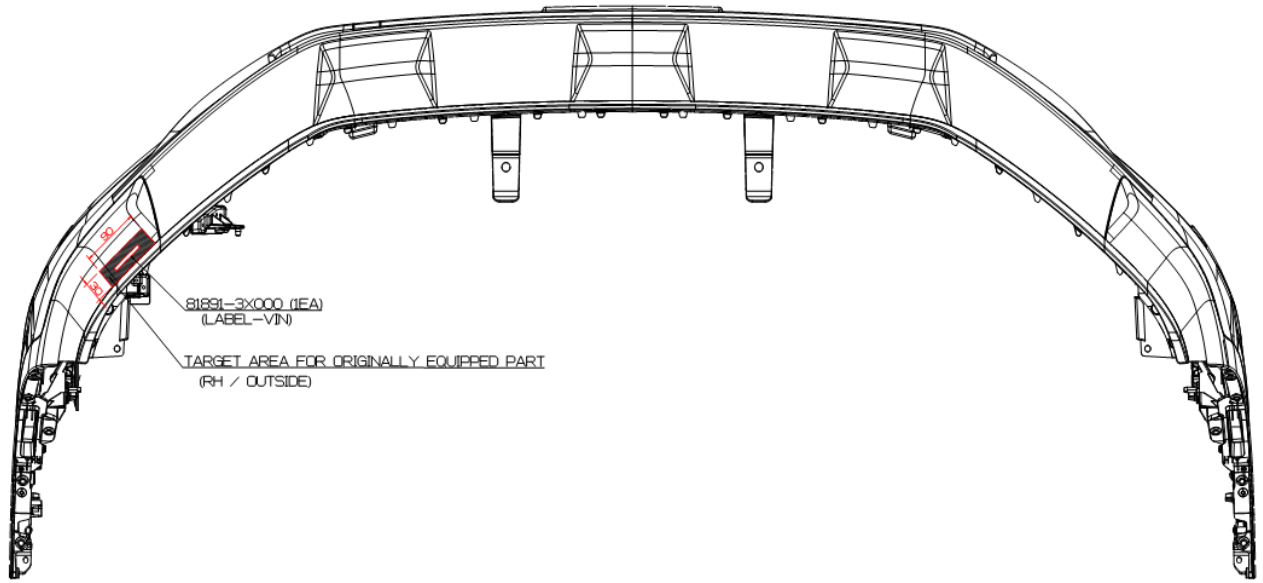
Side Outer Panel (LH/RH)

TARGET AREA FOR
REPLACEMENT PART

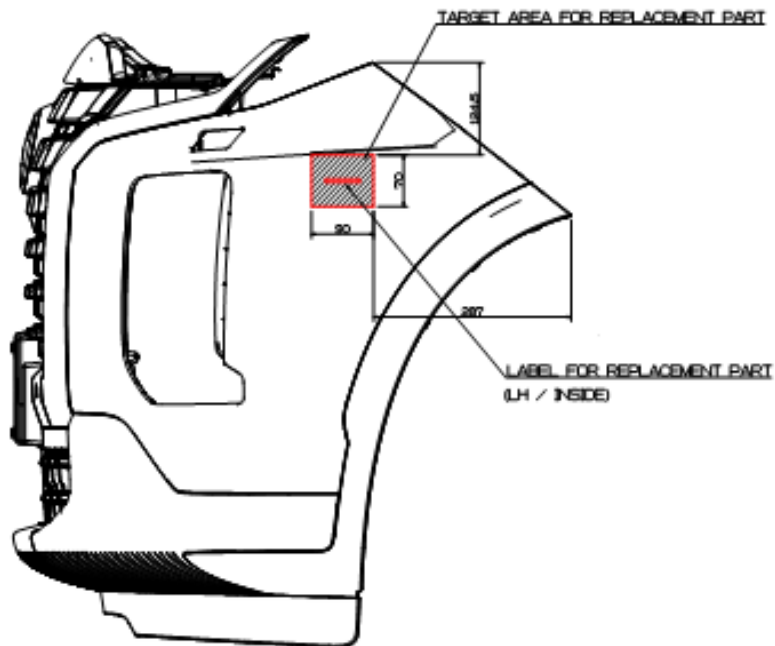
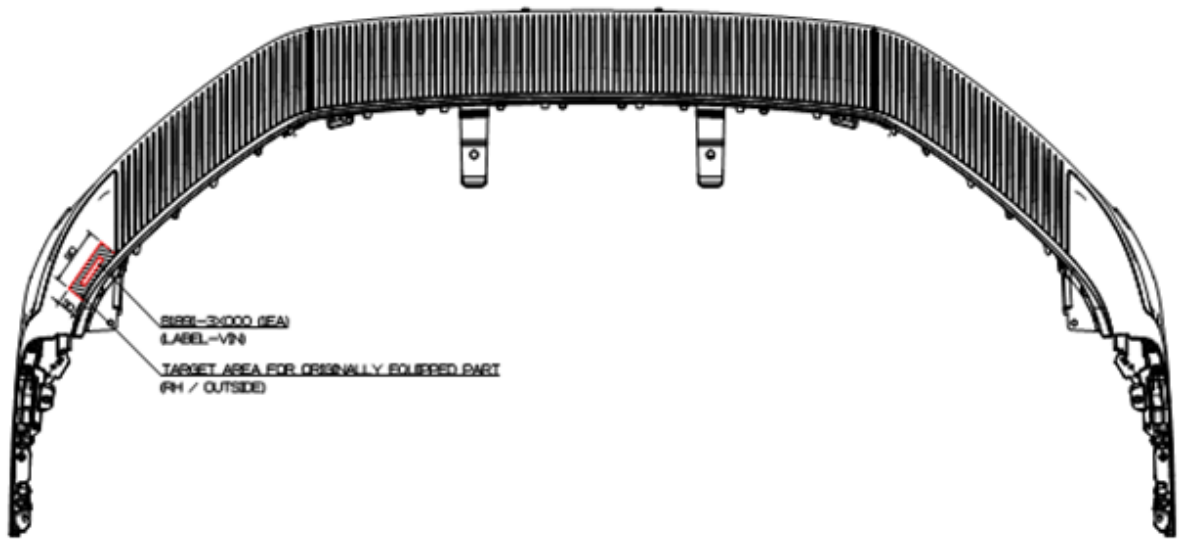


TARGET AREA FOR
ORIGINALLY EQUIPPED PART

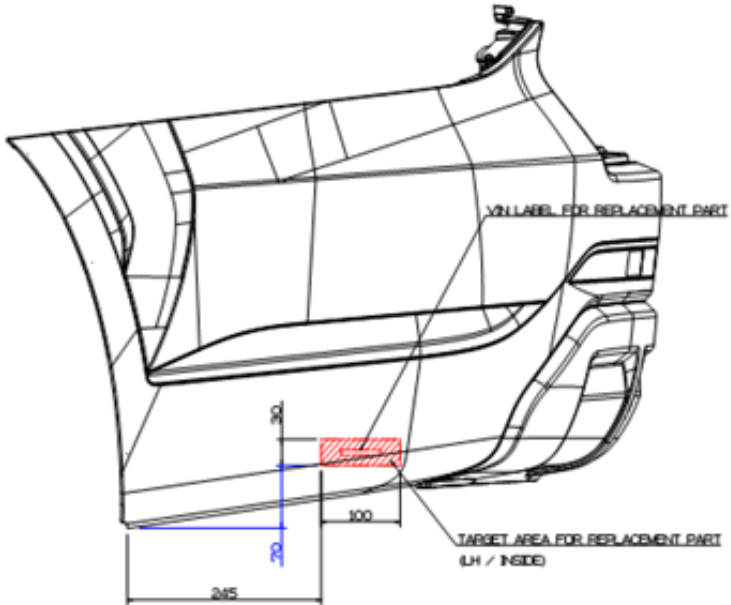
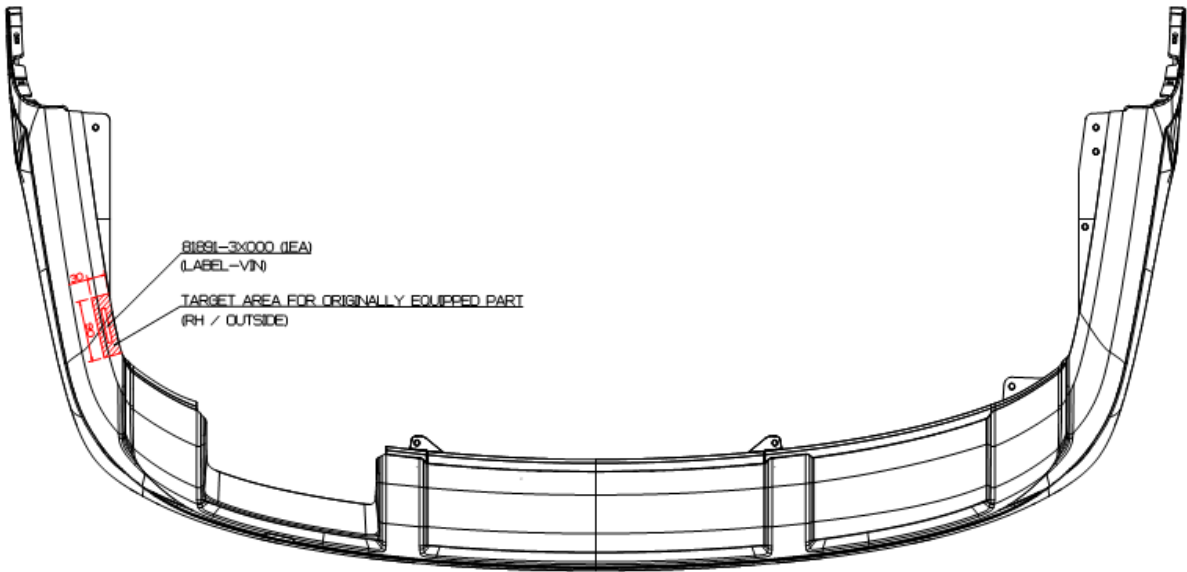
Front Bumper (Excludes Calligraphy trim level)



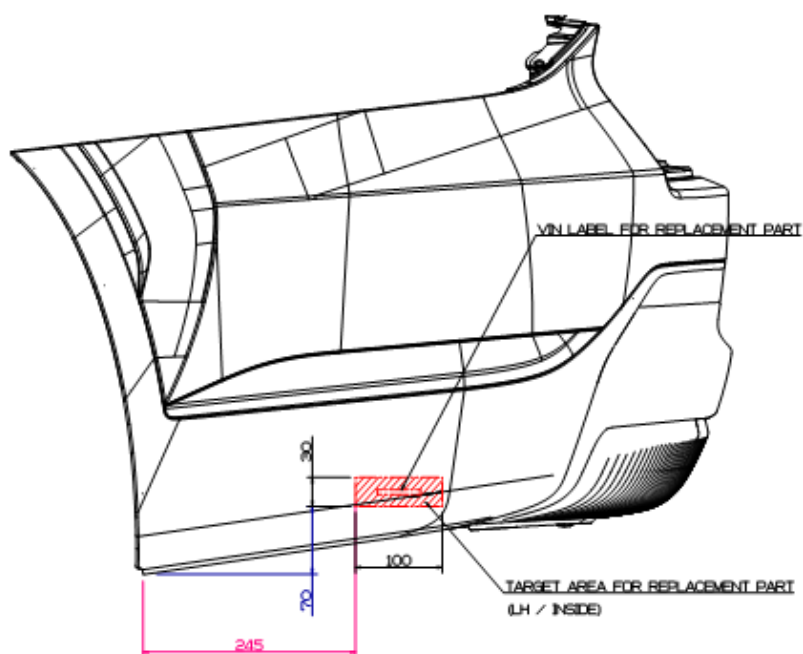
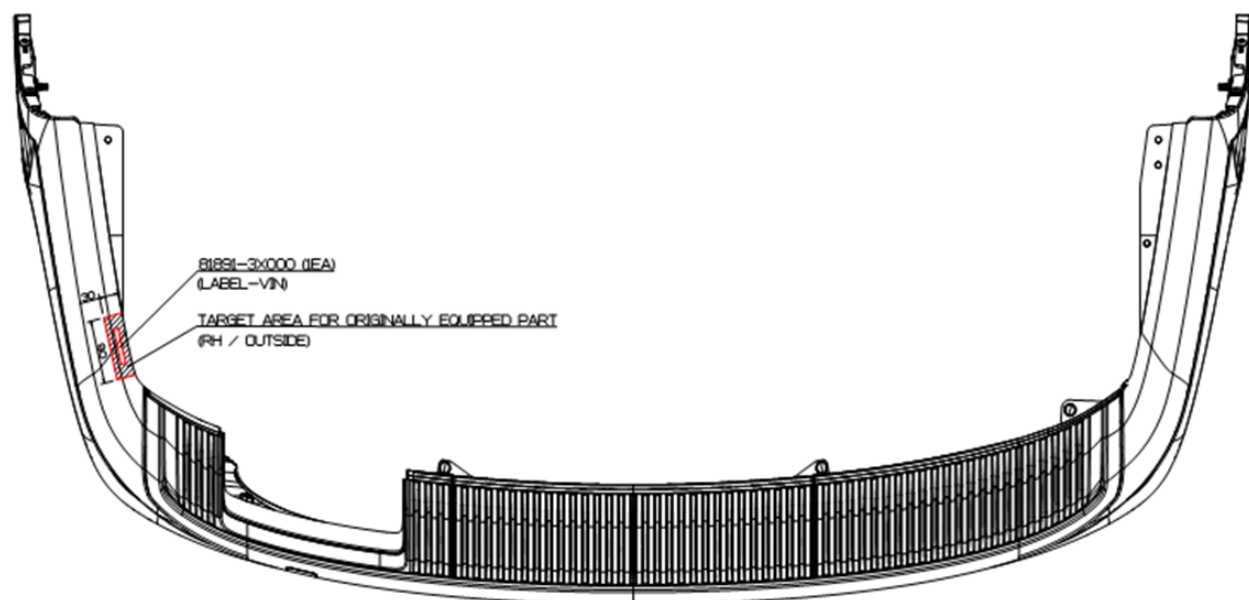
Front Bumper (Calligraphy trim level only)



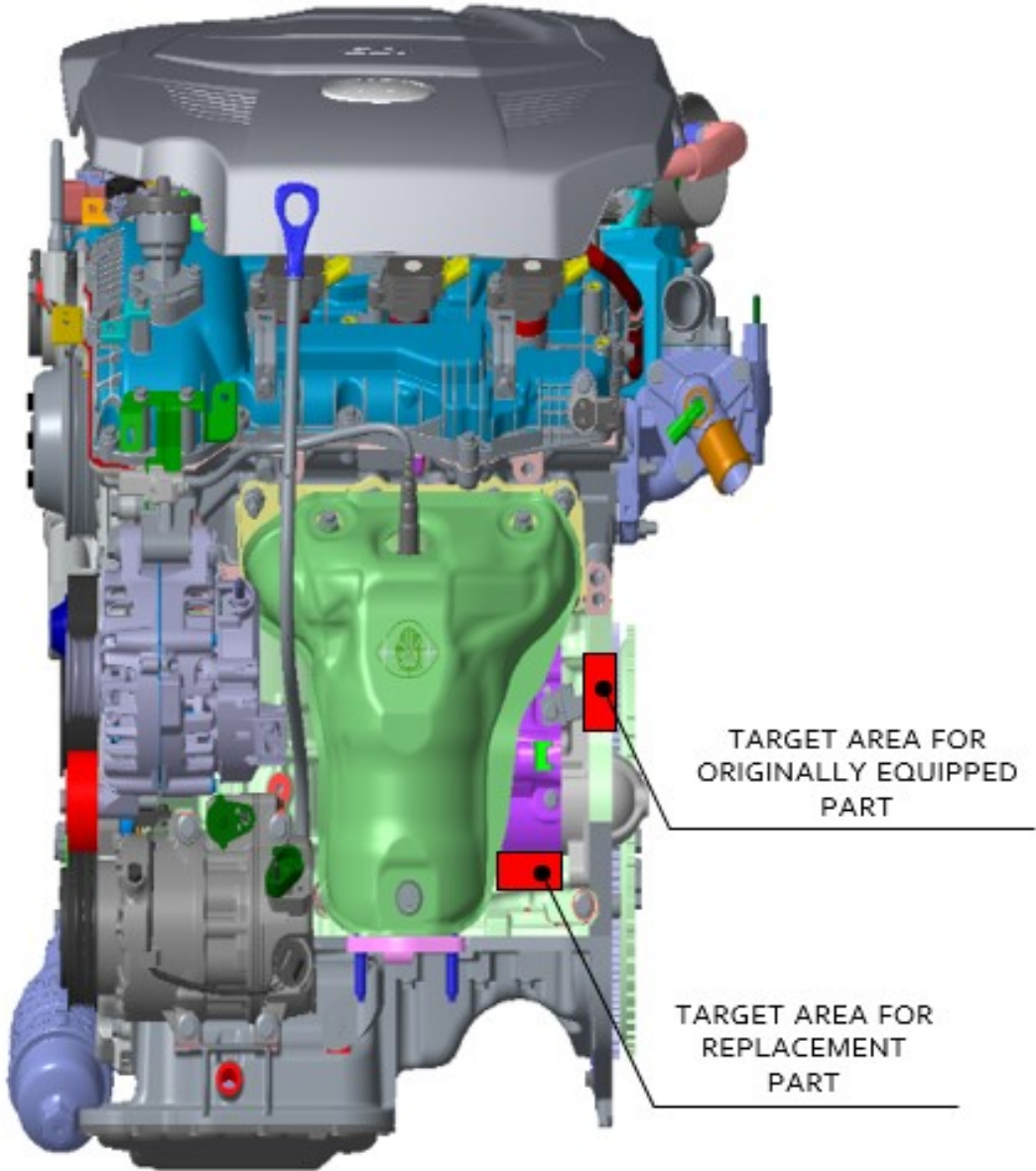
Rear Bumper (Excludes Calligraphy trim level)



Rear Bumper (Calligraphy trim level only)

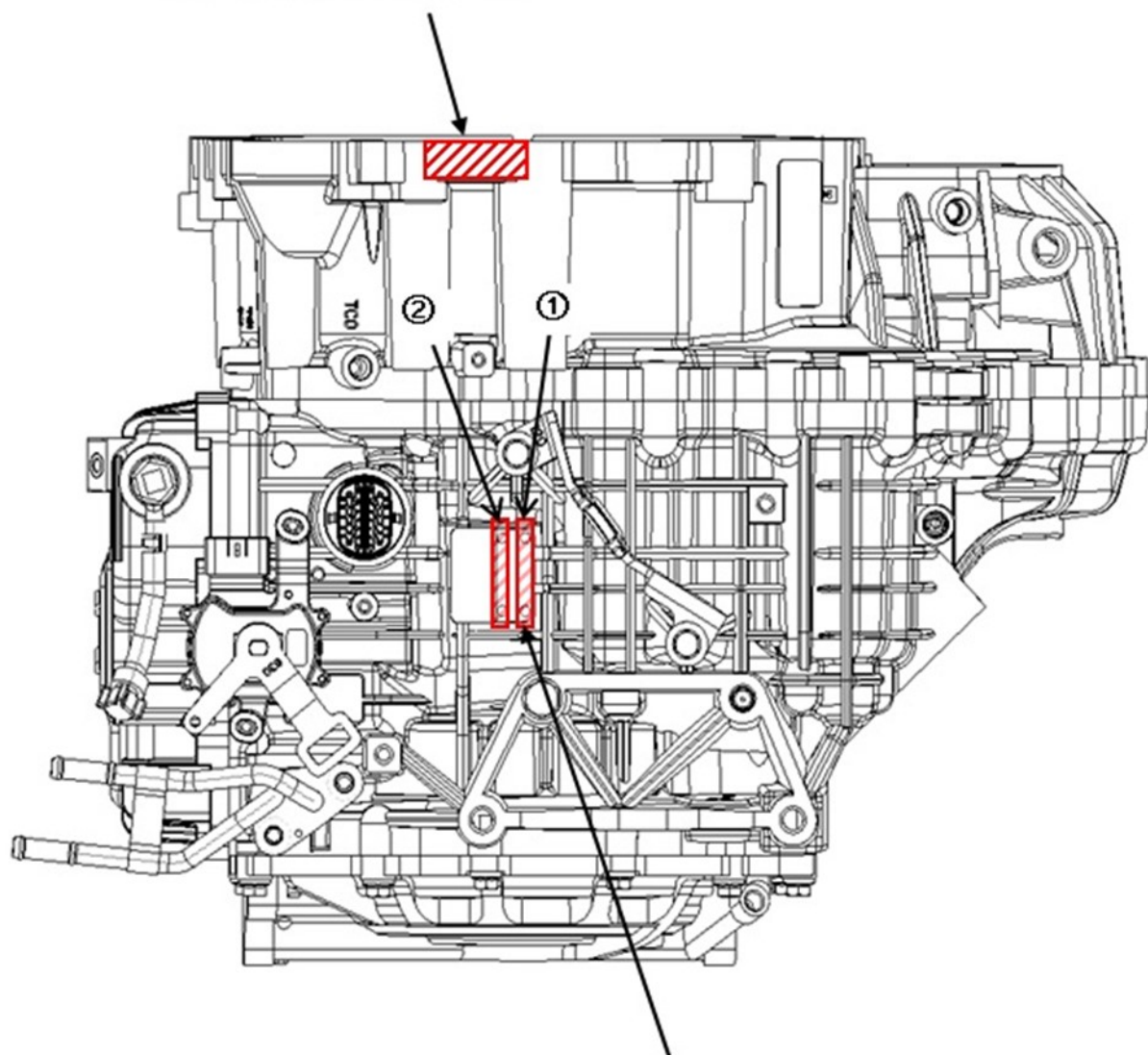


Engine (3.8L)



Transmission (8AT)

TARGET AREA FOR
REPLACEMENT PART



TARGET AREA FOR ORIGINALLY EQUIPPED PART
(ATTACH ONE VIN PLATE LOCATION 1 OR 2)