

## **VIN marking area for EV6 model**

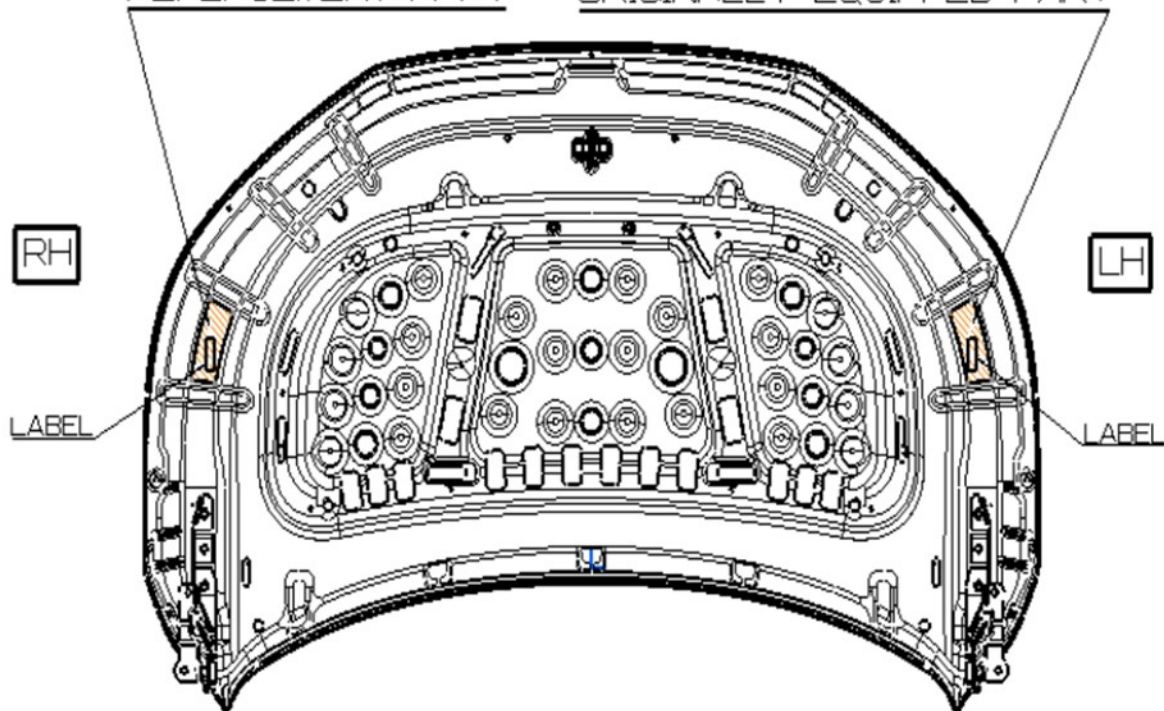
- 1. Hood**
- 2. Tail Gate**
- 3. Front Fender (LH/RH)**
- 4. Front Door (LH/RH)**
- 5. Rear Door (LH/RH)**
- 6. Side Outer Panel (LH/RH)**
- 7. Front Bumper**
- 8. Rear Bumper**
- 9. Motor & Decelerator (FR/RR)**



# Hood

TARGET AREA FOR  
REPLACEMENT PART

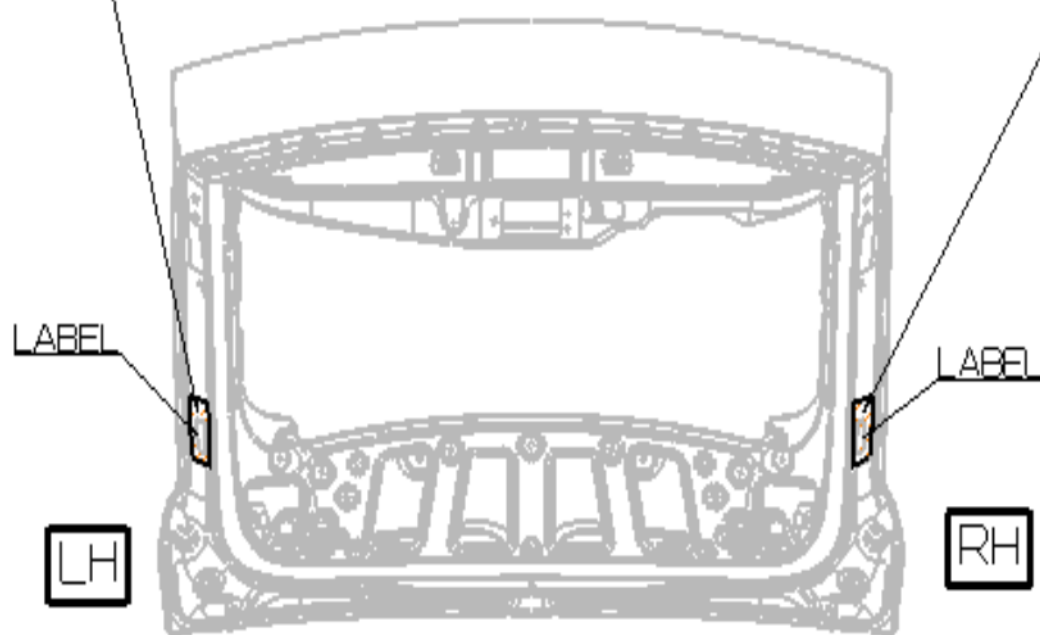
TARGET AREA FOR  
ORIGINALLY EQUIPPED PART



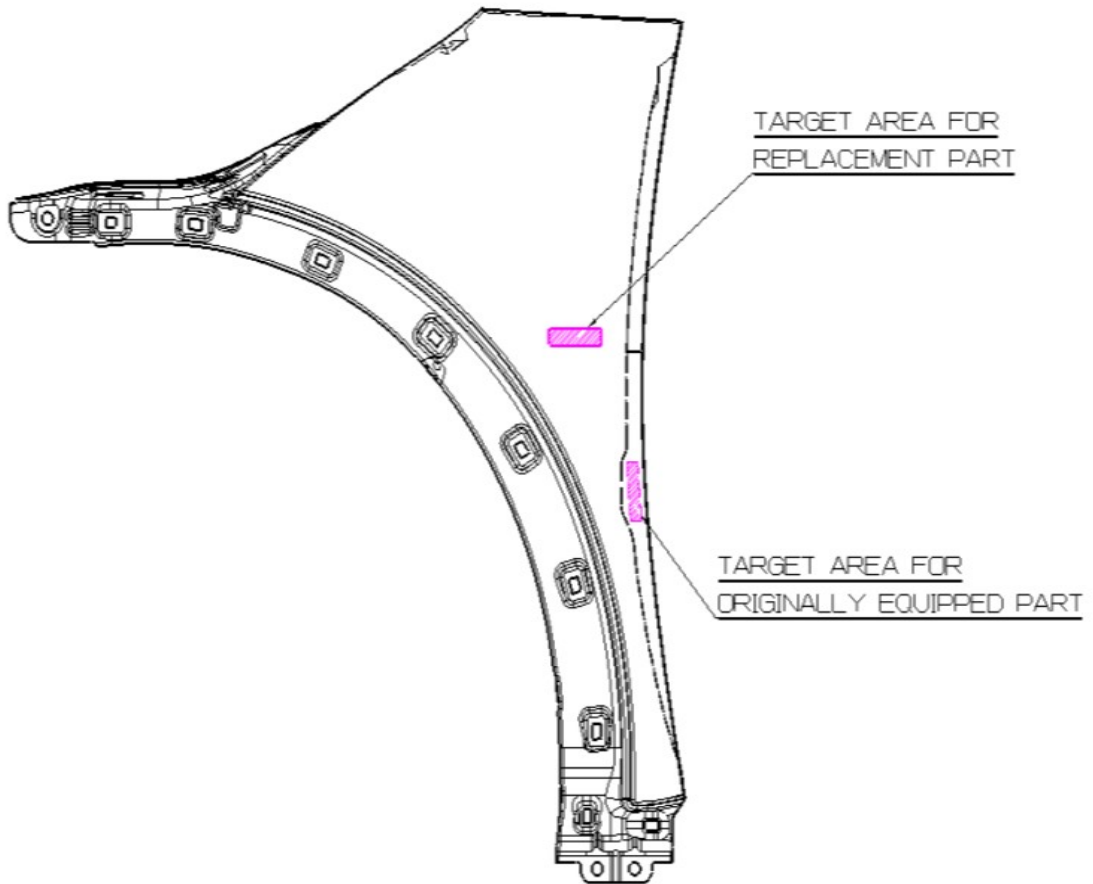
## Tail Gate

TARGET AREA FOR  
REPLACEMENT PART

TARGET AREA FOR  
ORIGINALLY EQUIPPED PART

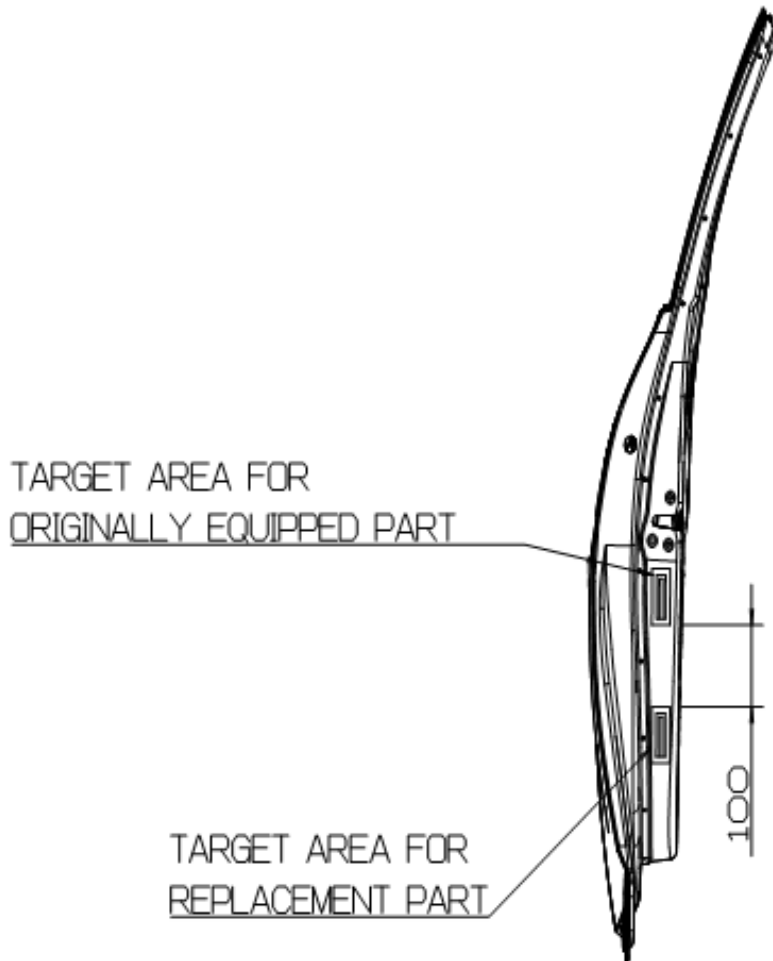


# Front Fender (LH/RH)

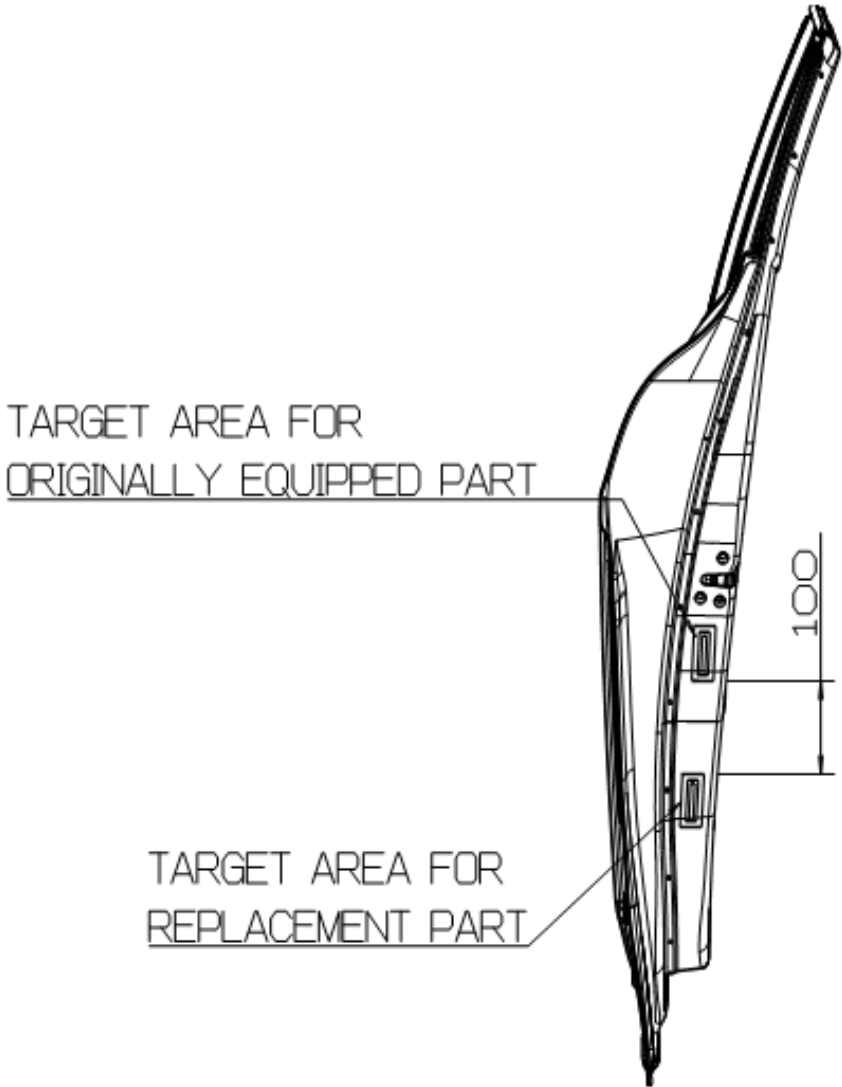


PNL-FENDER, LH/RH

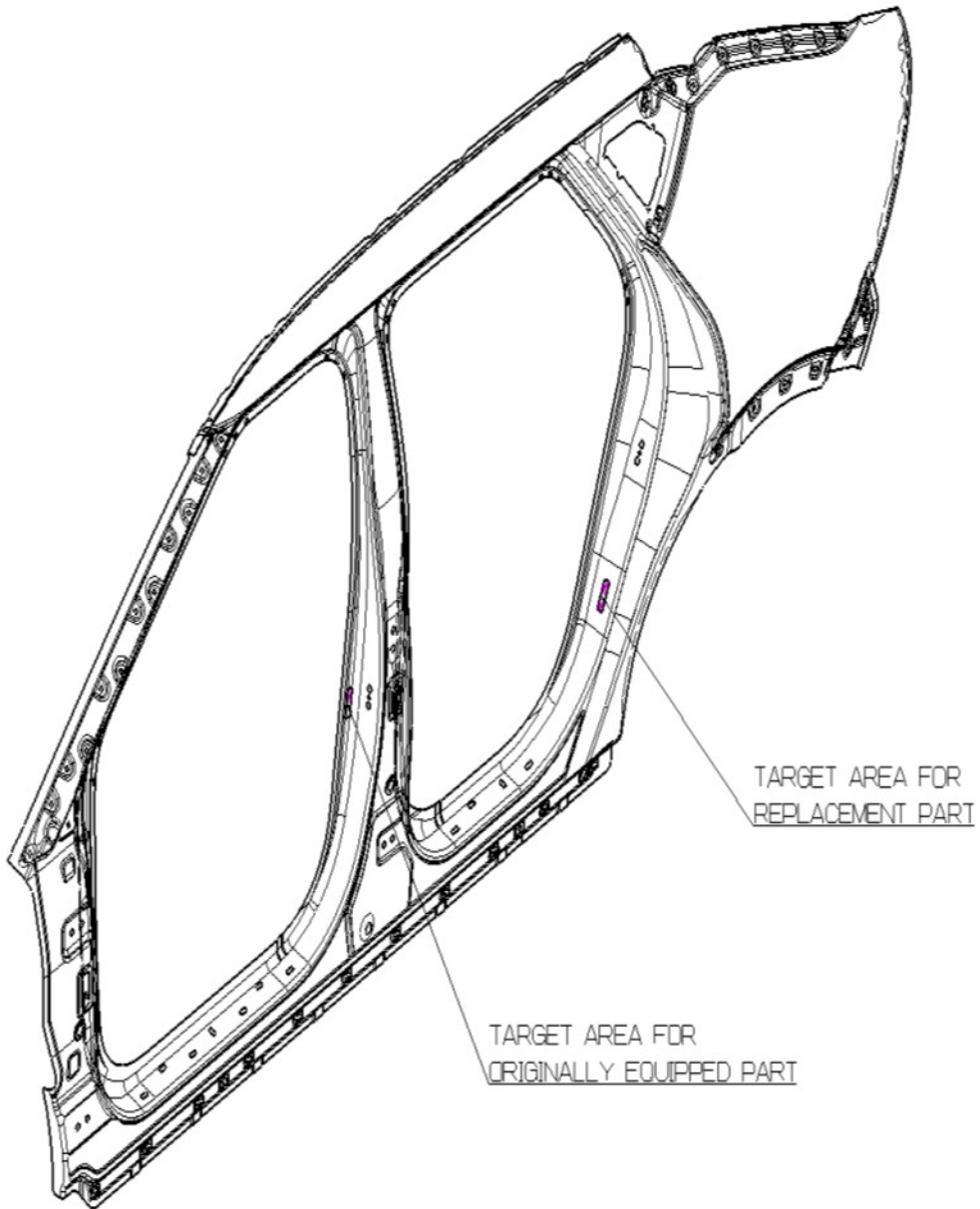
# Front Door (LH/RH)



Rear Door (LH/RH)

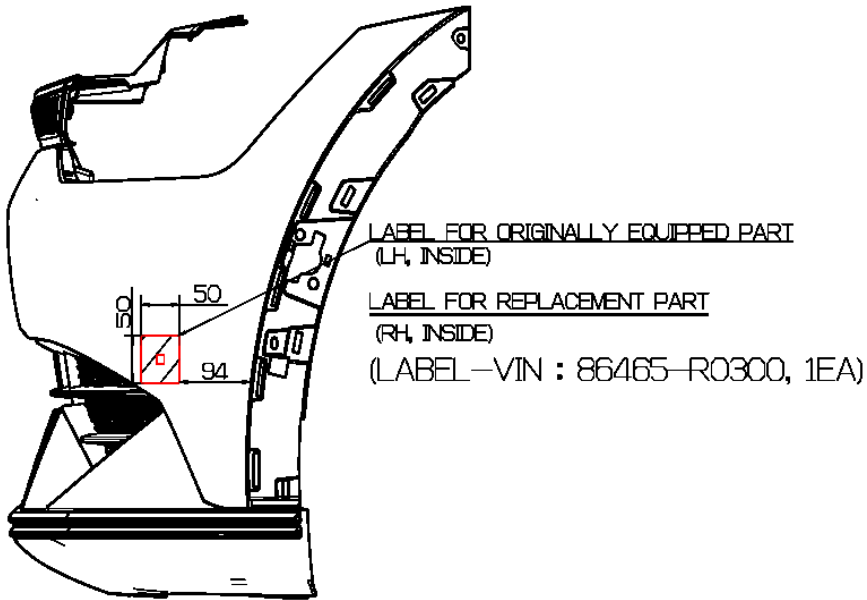


# Side Outer Panel (LH/RH)

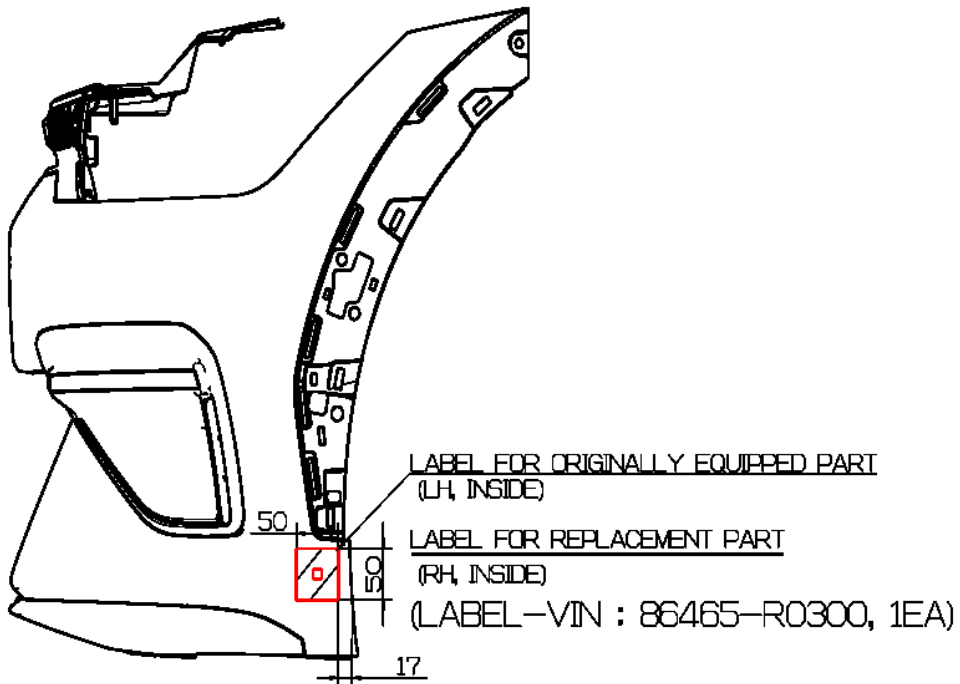


PNL-SIDE OTR, LH/RH

# Front Bumper



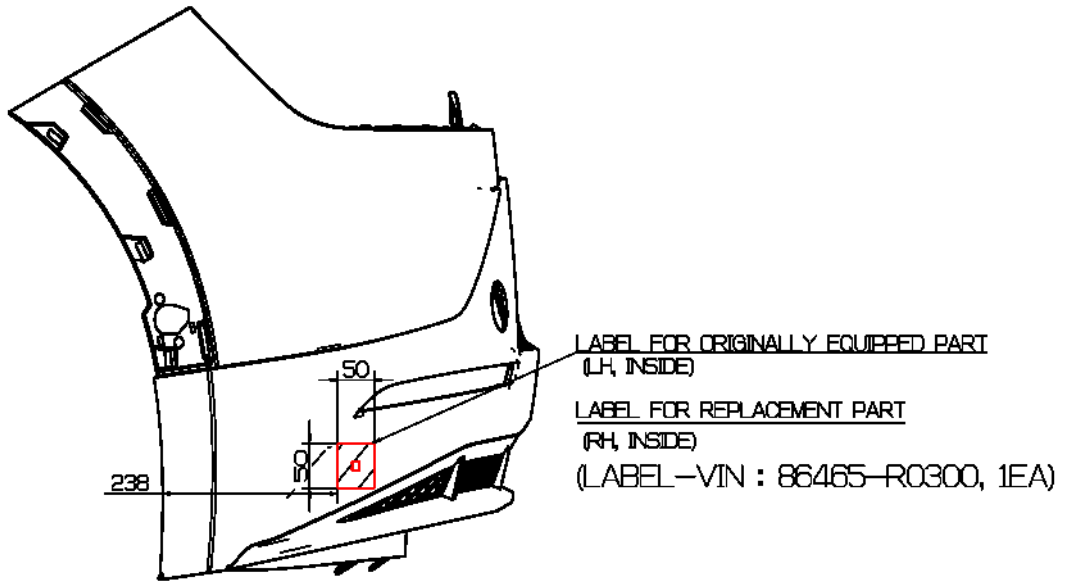
FR BUMPER ASSY (STD)



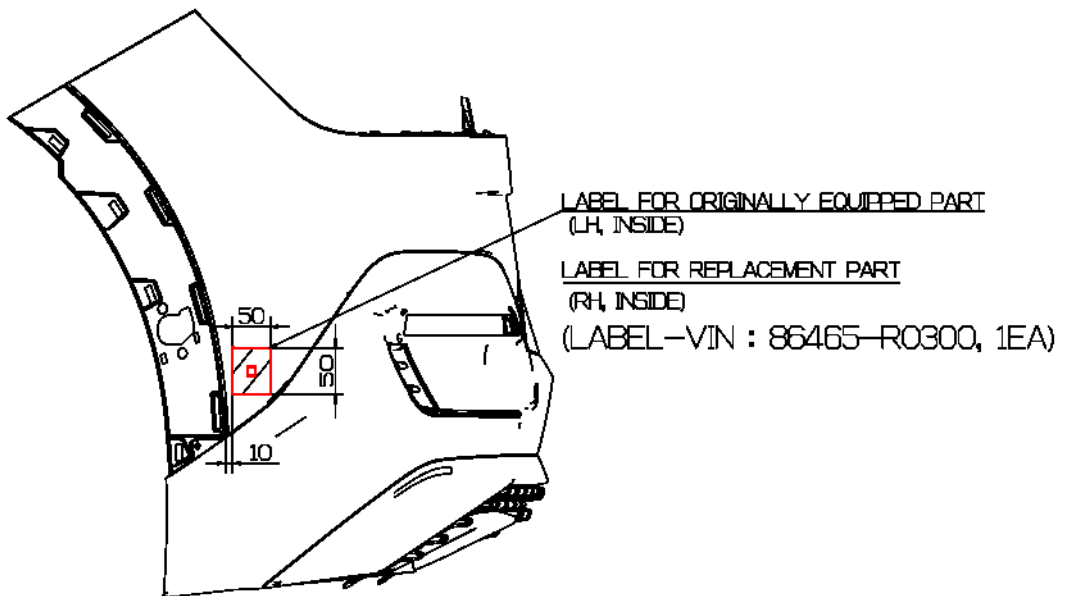
FR BUMPER ASSY (GT-LINE)



# Rear Bumper

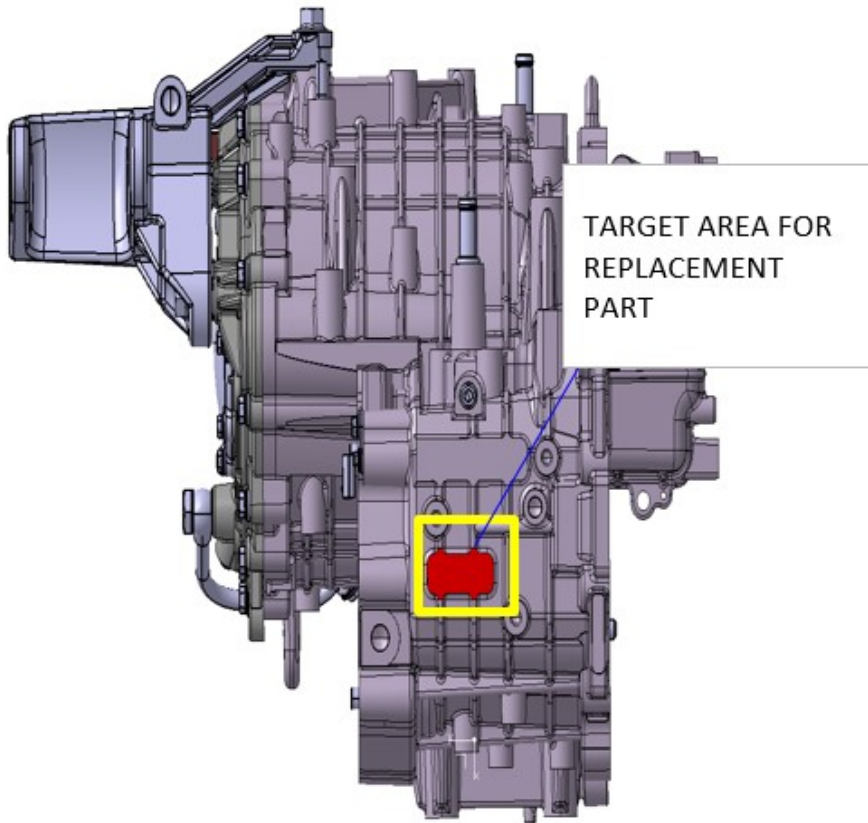
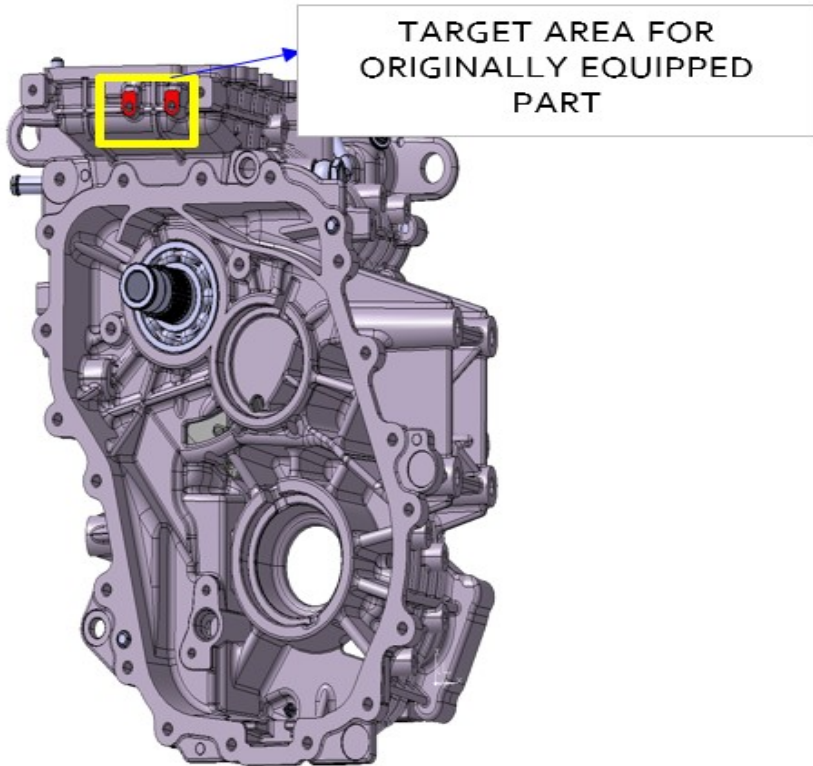


RR BUMPER ASSY (STD)

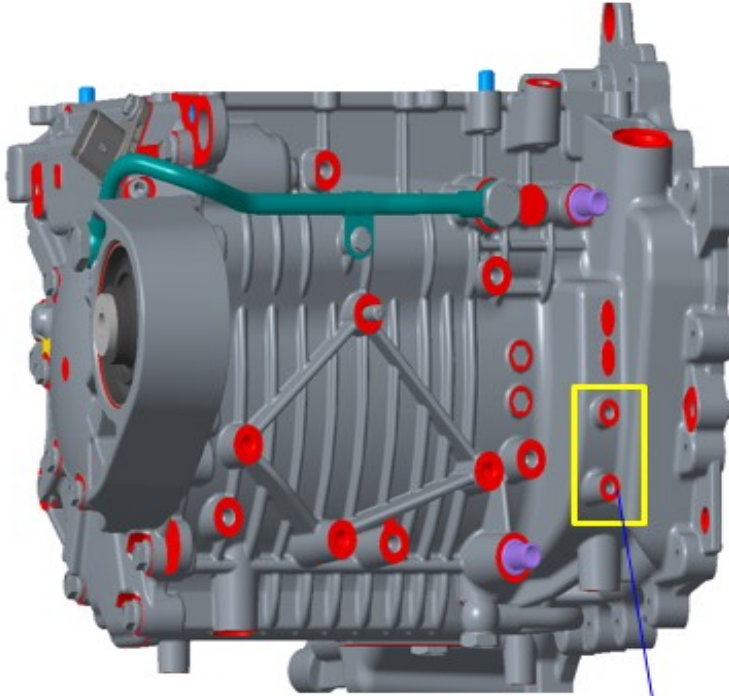


RR BUMPER ASSY (GT-LINE)

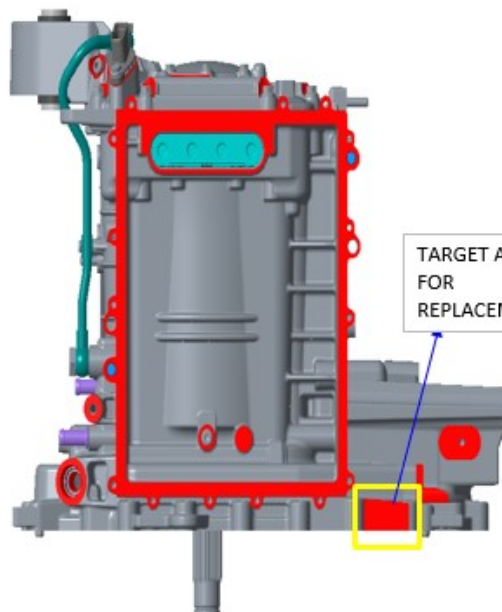
## CV Motor (FR)



# CV Motor (RR)



TARGET AREA FOR  
ORIGINALLY  
EQUIPPED PART



TARGET AREA  
FOR  
REPLACEMENT