

VIN marking area for EV6 GT model

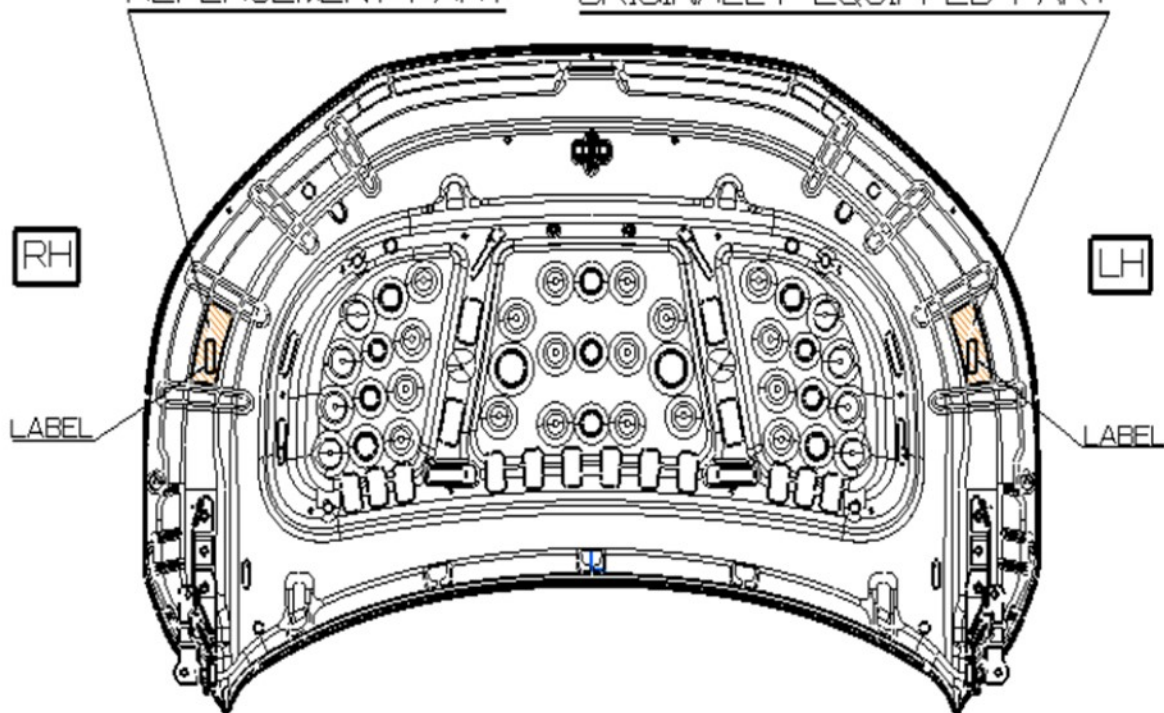
- 1. Hood**
- 2. Tail Gate**
- 3. Front Fender (LH/RH)**
- 4. Front Door (LH/RH)**
- 5. Rear Door (LH/RH)**
- 6. Side Outer Panel (LH/RH)**
- 7. Front Bumper**
- 8. Rear Bumper**
- 9. Motor & Decelerator (FR/RR)**



Hood

TARGET AREA FOR
REPLACEMENT PART

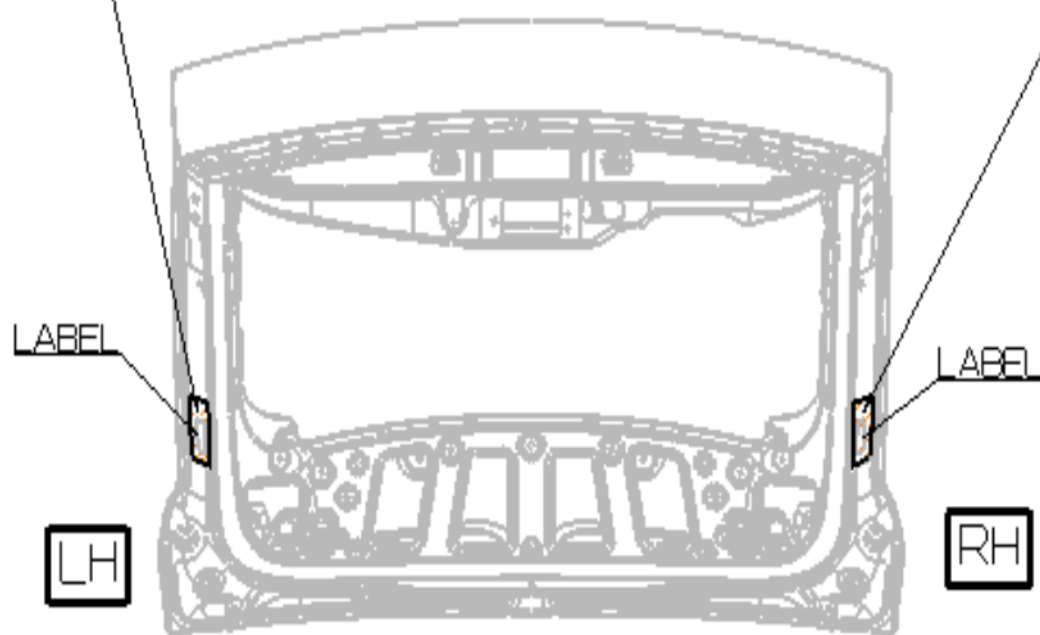
TARGET AREA FOR
ORIGINALLY EQUIPPED PART



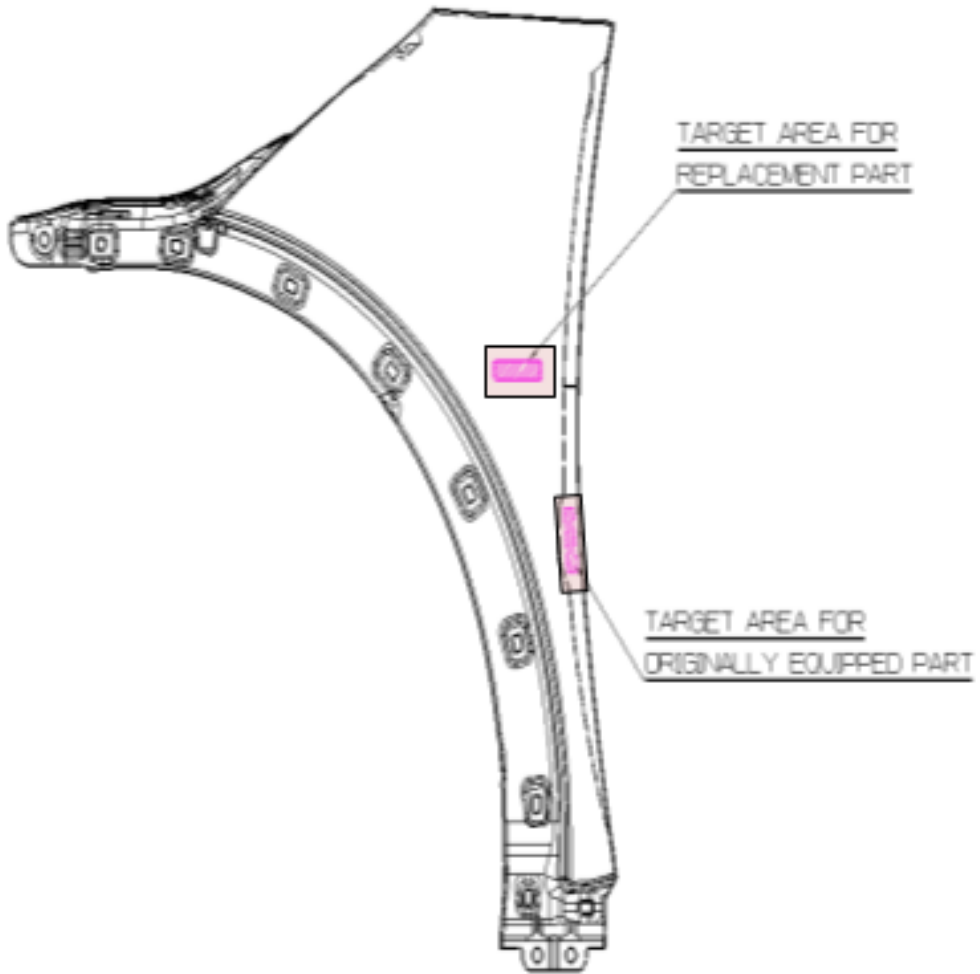
Tail Gate

TARGET AREA FOR
REPLACEMENT PART

TARGET AREA FOR
ORIGINALLY EQUIPPED PART

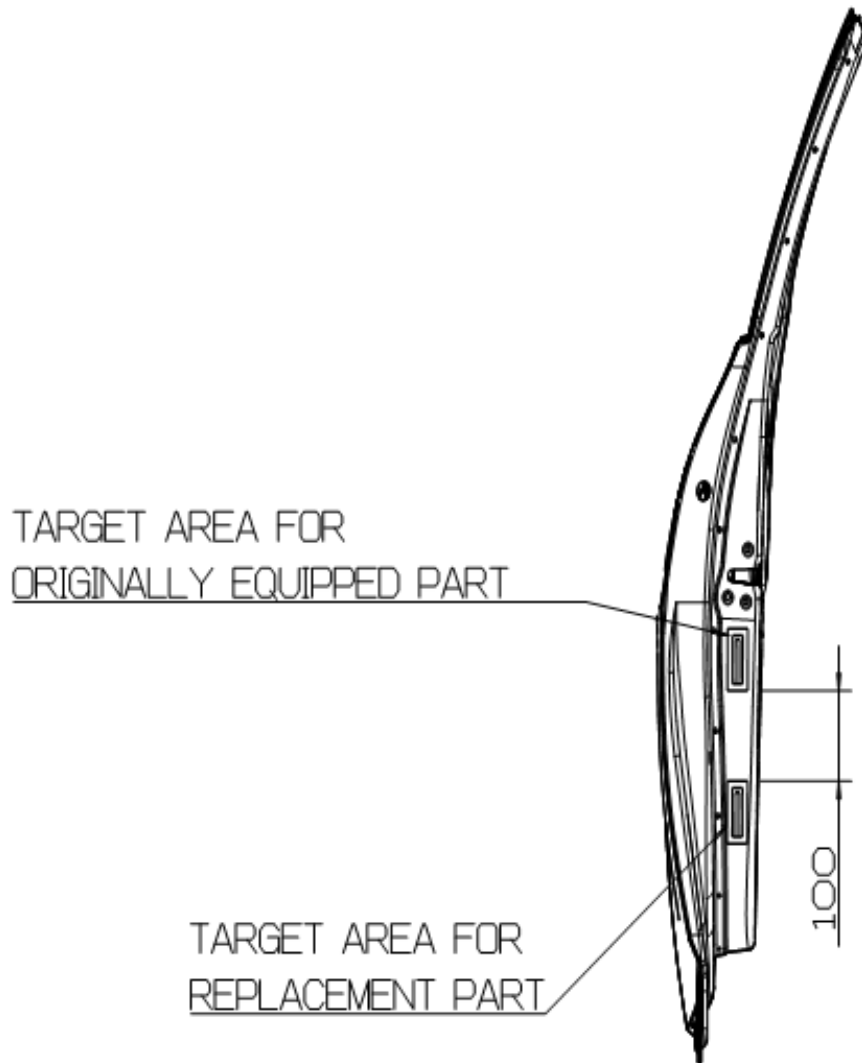


Front Fender (LH/RH)

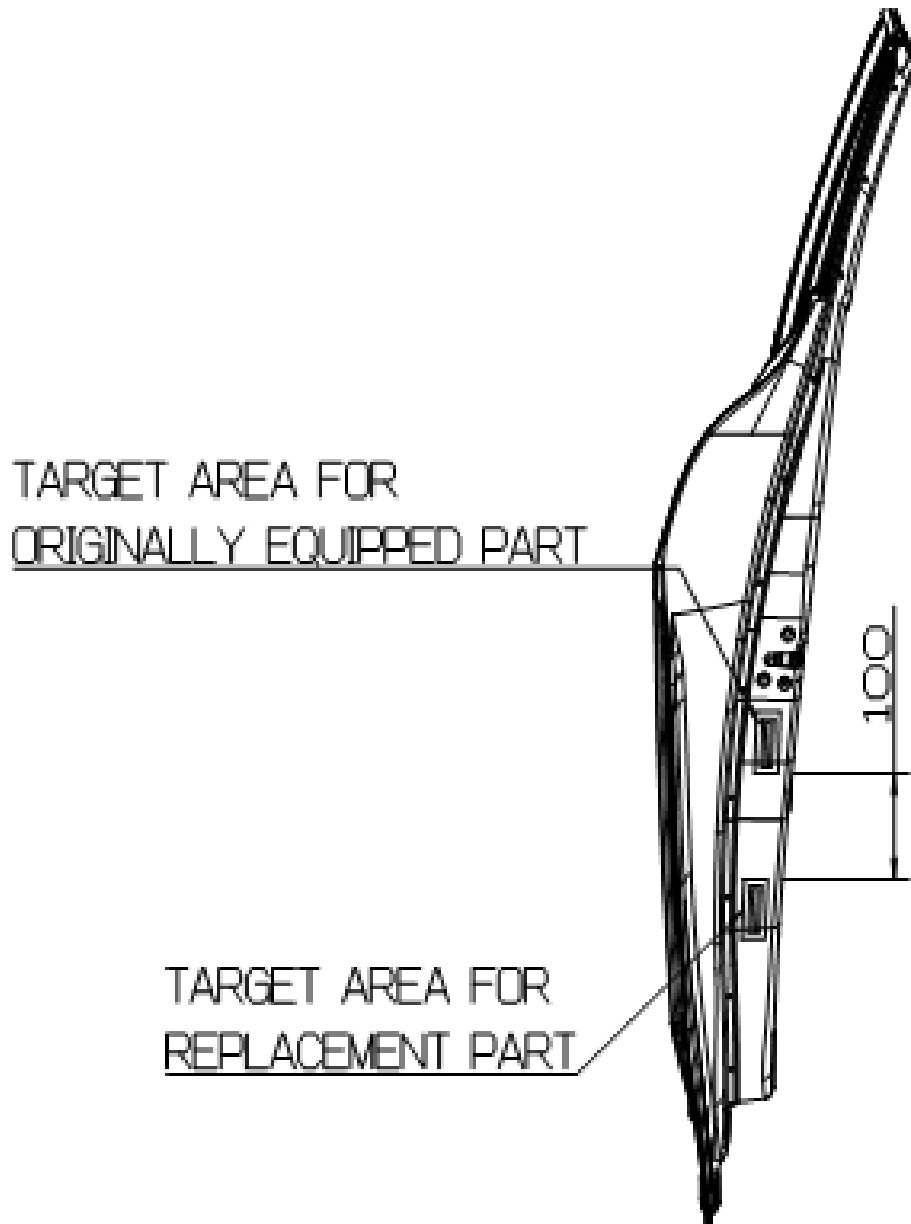


PNL-FENDER, LH/RH

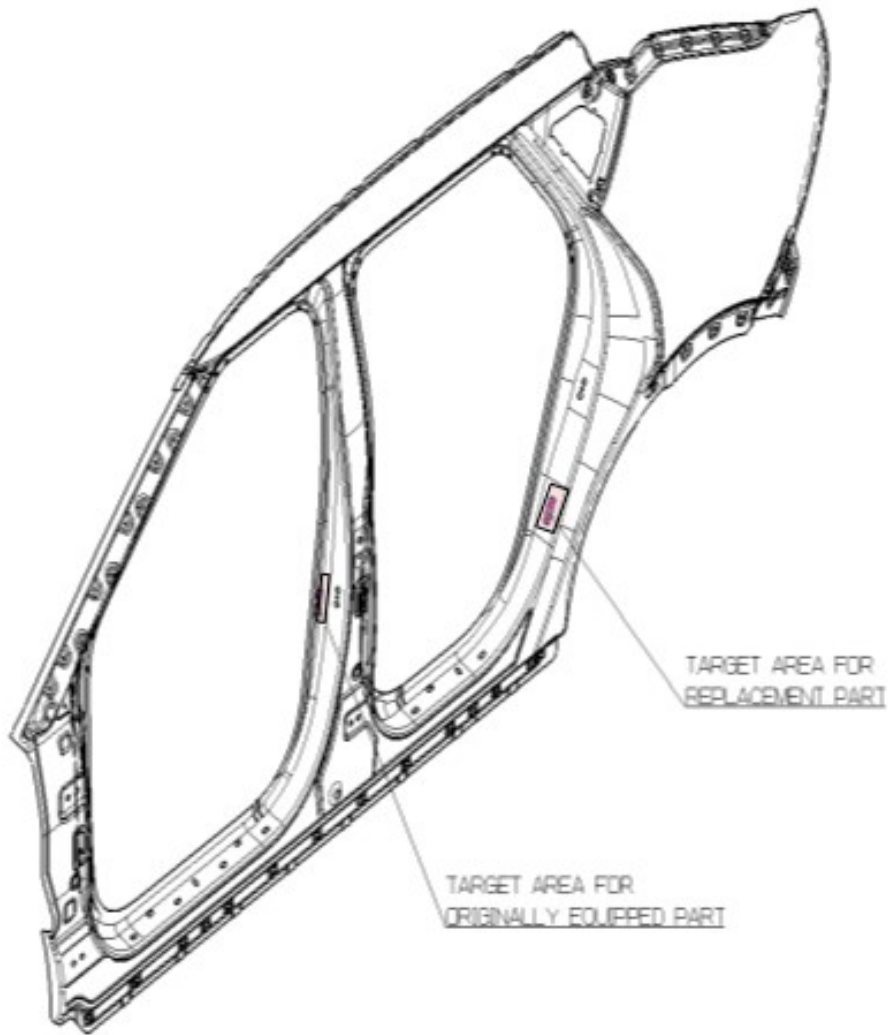
Front Door (LH/RH)



Rear Door (LH/RH)

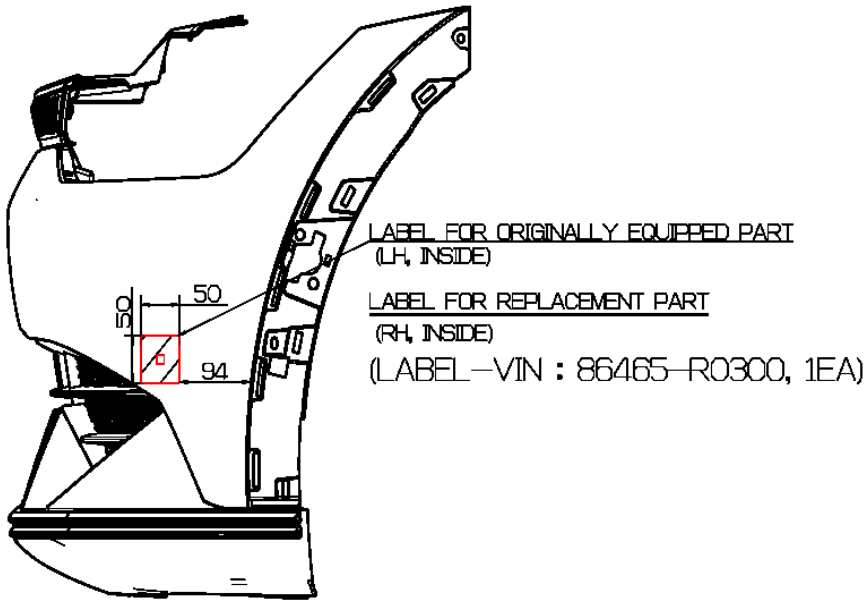


Side Outer Panel (LH/RH)

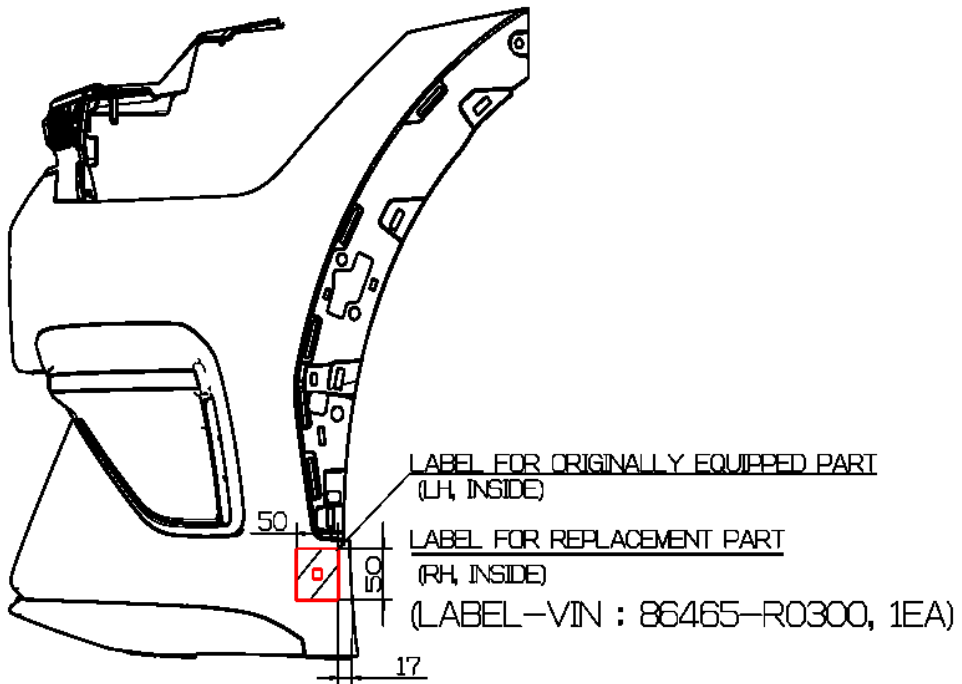


PNL-SIDE OTR, LH/RH

Front Bumper

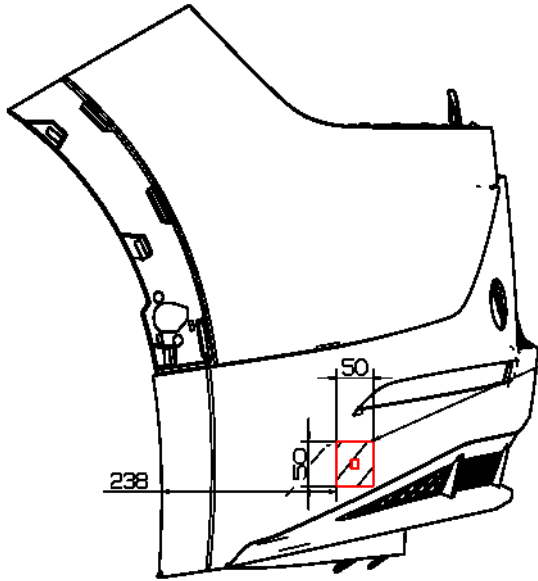


FR BUMPER ASSY (STD)



FR BUMPER ASSY (GT-LINE)

Rear Bumper

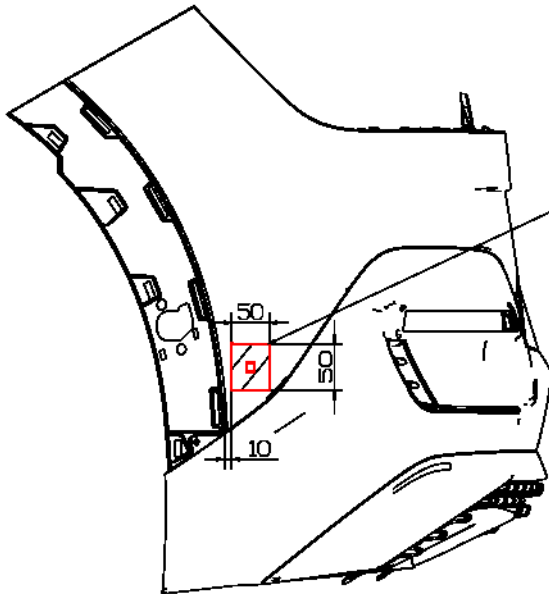


LABEL FOR ORIGINALLY EQUIPPED PART
(LH, INSIDE)

LABEL FOR REPLACEMENT PART
(RH, INSIDE)

(LABEL-VIN : 86465-R0300, 1EA)

RR BUMPER ASSY (STD)



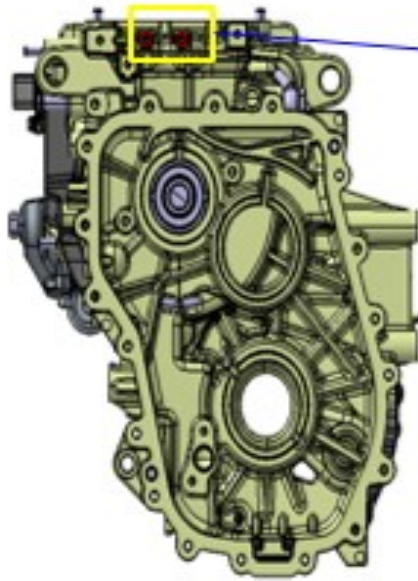
LABEL FOR ORIGINALLY EQUIPPED PART
(LH, INSIDE)

LABEL FOR REPLACEMENT PART
(RH, INSIDE)

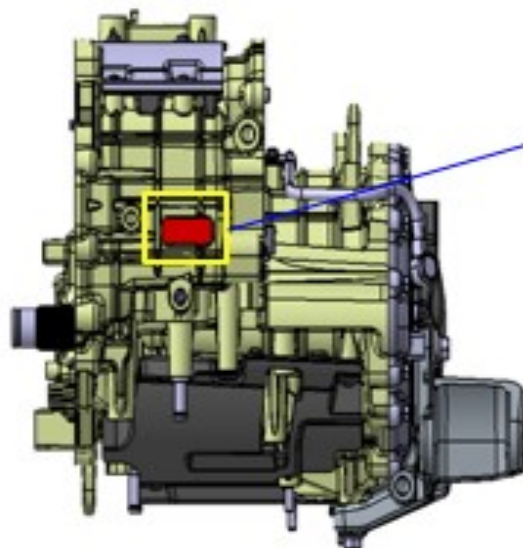
(LABEL-VIN : 86465-R0300, 1EA)

RR BUMPER ASSY (GT-LINE)

CV Motor (FR)

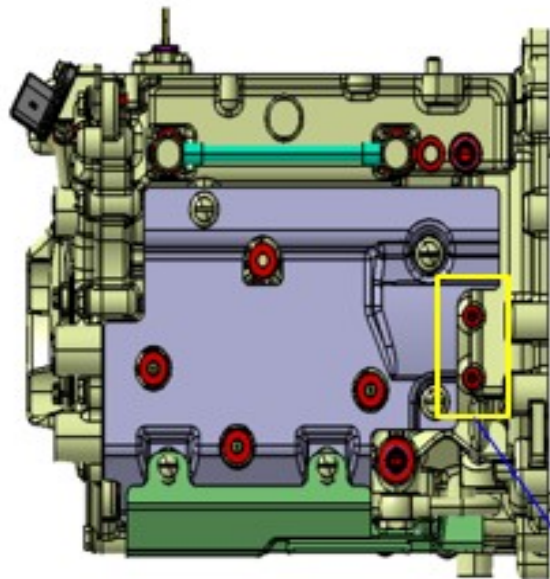


TARGET AREA FOR
ORIGINALLY EQUIPPED PART

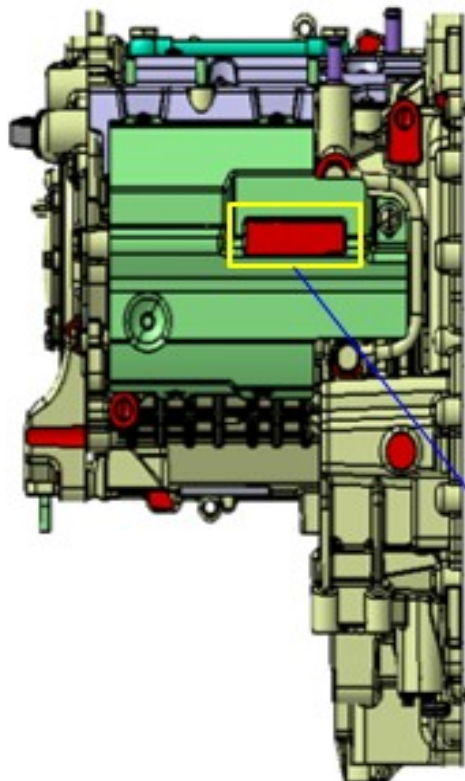


TARGET AREA FOR
REPLACEMENT

CV Motor (RR)



TARGET AREA FOR
ORIGINALLY
EQUIPPED PART



TARGET AREA FOR
REPLACEMENT
PART