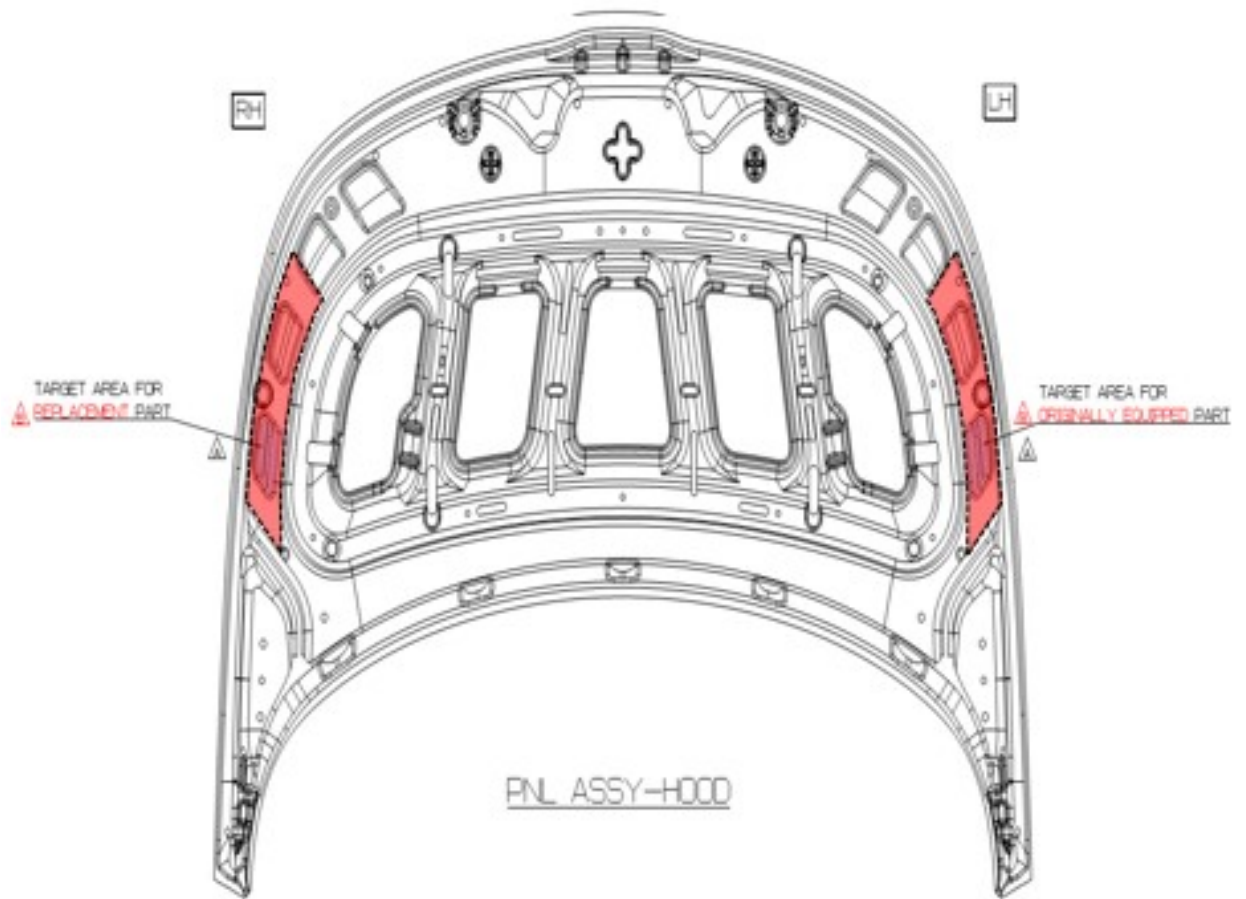


VIN marking area for Soul model

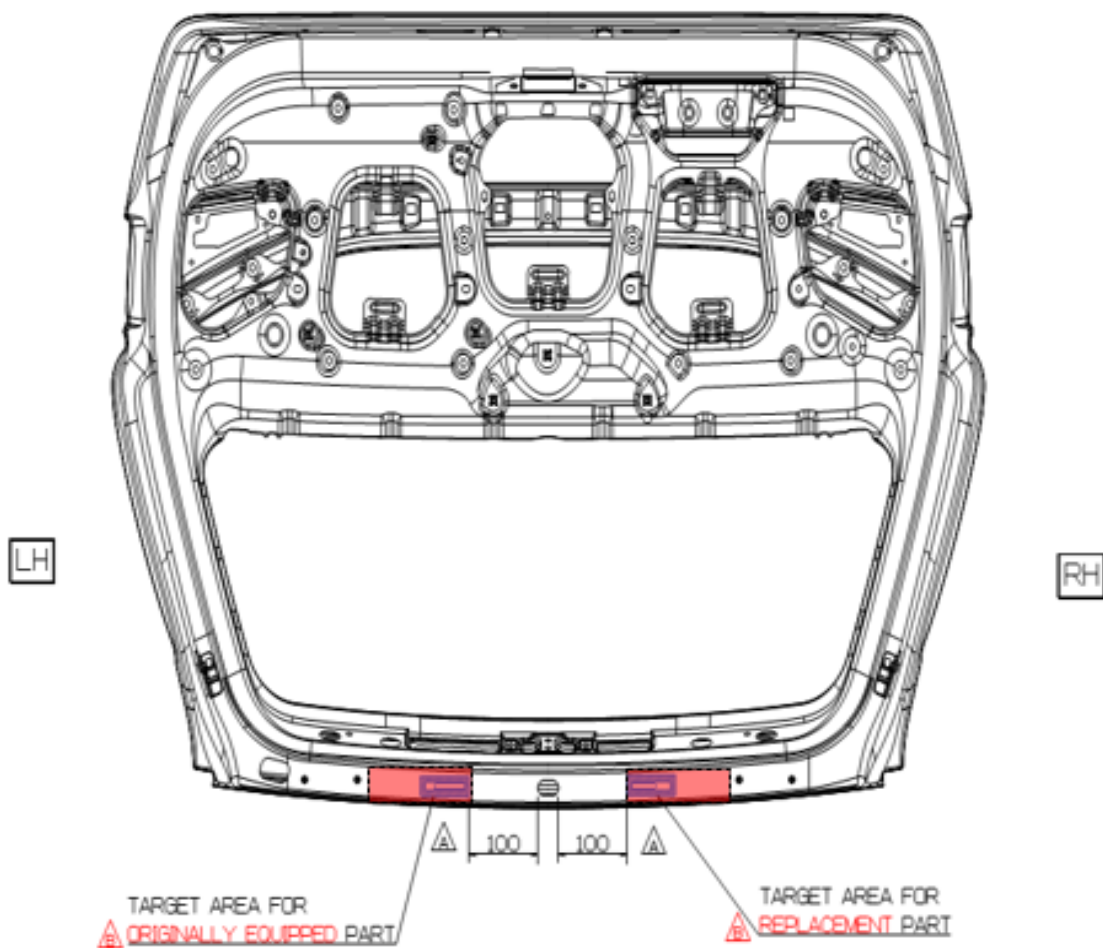
- 1. Hood**
- 2. Tail Gate**
- 3. Front Fender (LH/RH)**
- 4. Front Door (LH/RH)**
- 5. Rear Door (LH/RH)**
- 6. Side Outer Panel (LH/RH)**
- 7. Front Bumper**
- 8. Rear Bumper**
- 9. Engine [2.0 MPI]**
- 10. Transmission [AT]**



Hood

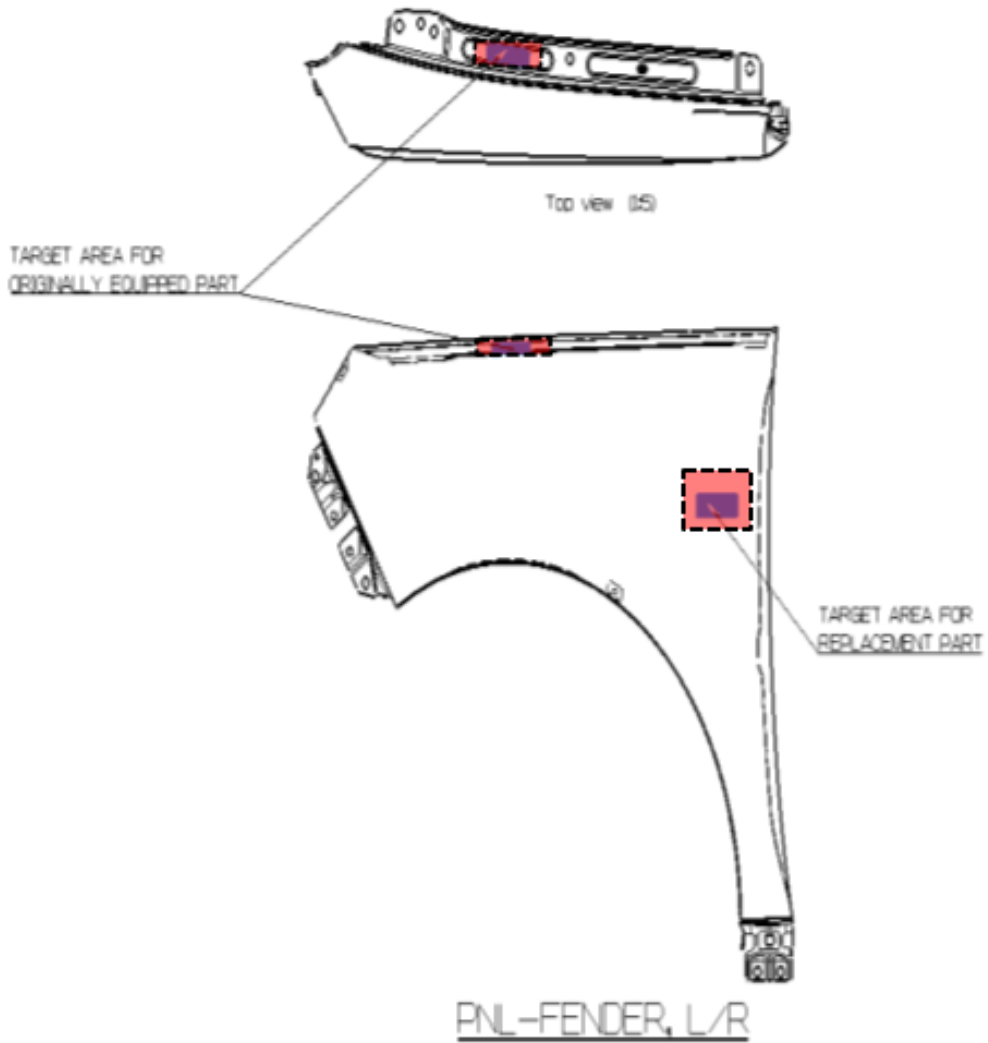


Tail Gate

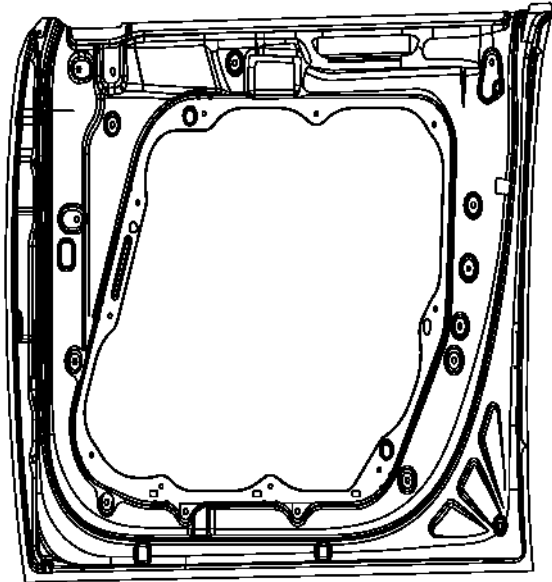


TAIL GATE

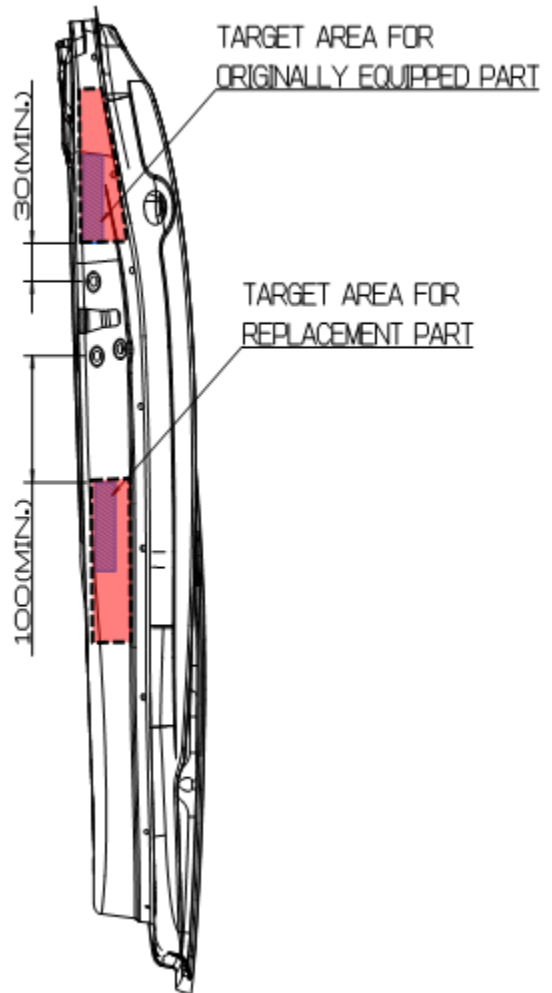
Front Fender (LH/RH)



Front Door (LH/RH)

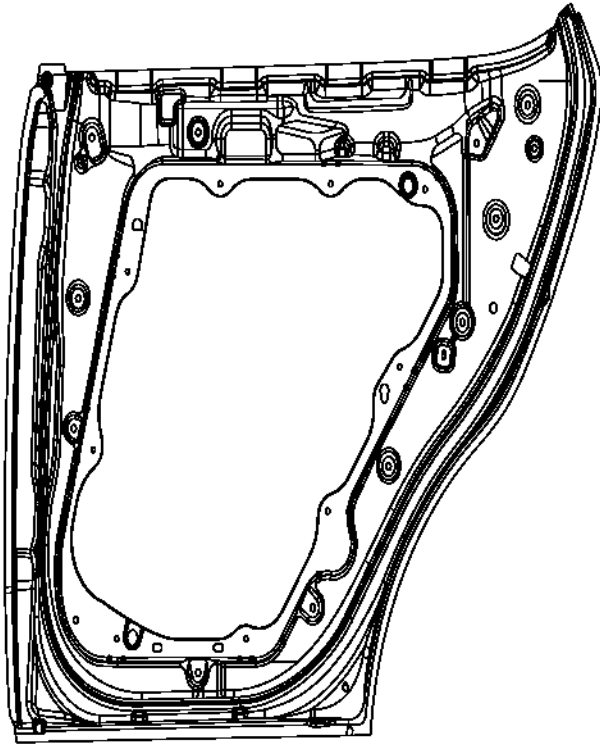


PNL ASSY-FR DR, L/R

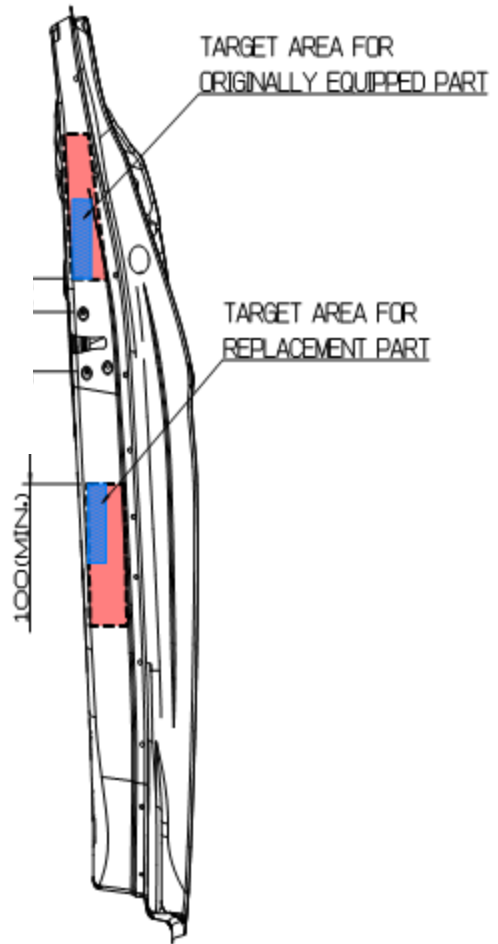


VIEW "W"

Rear Door (LH/RH)

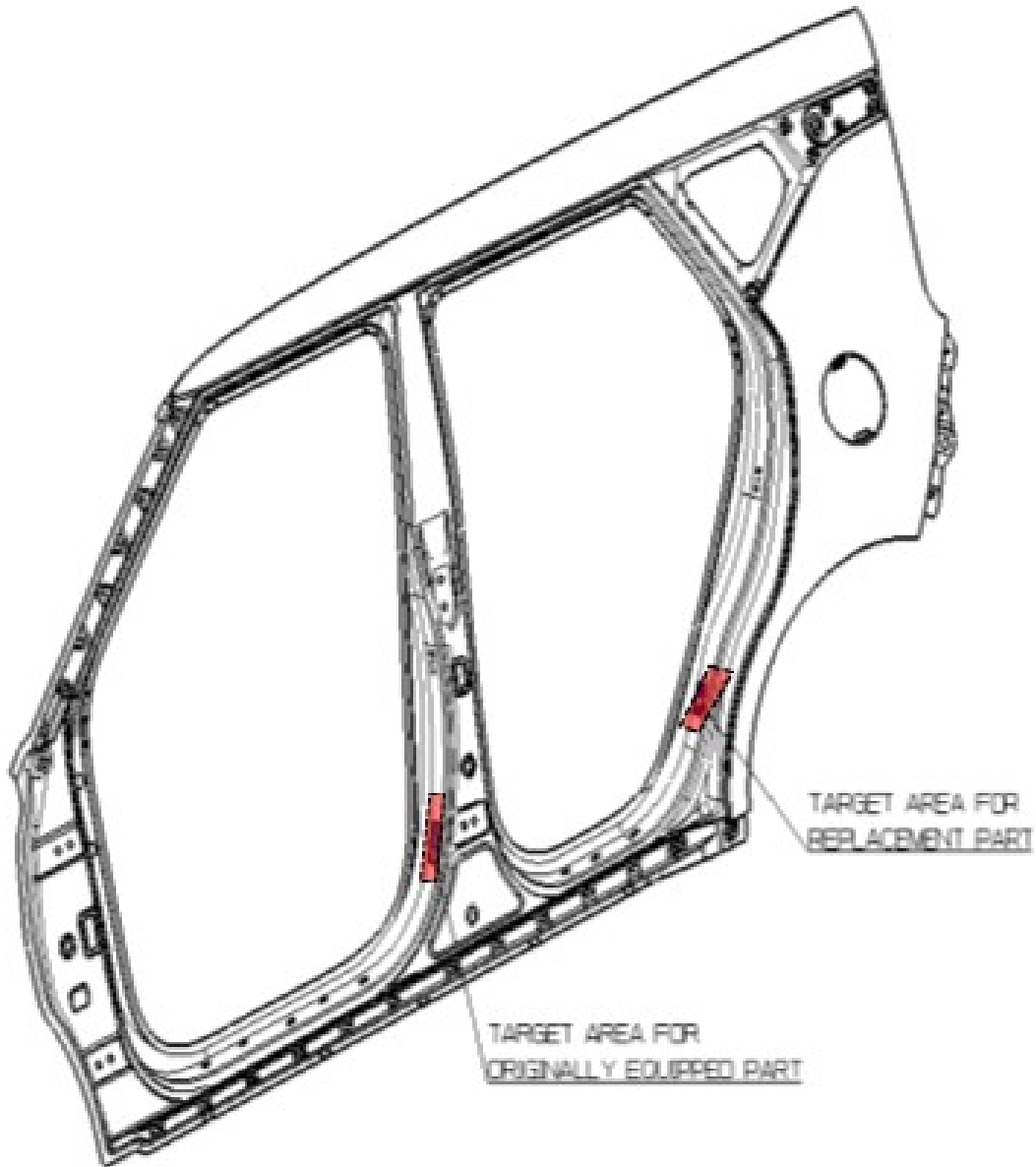


PNL ASSY-RR DR, L/R



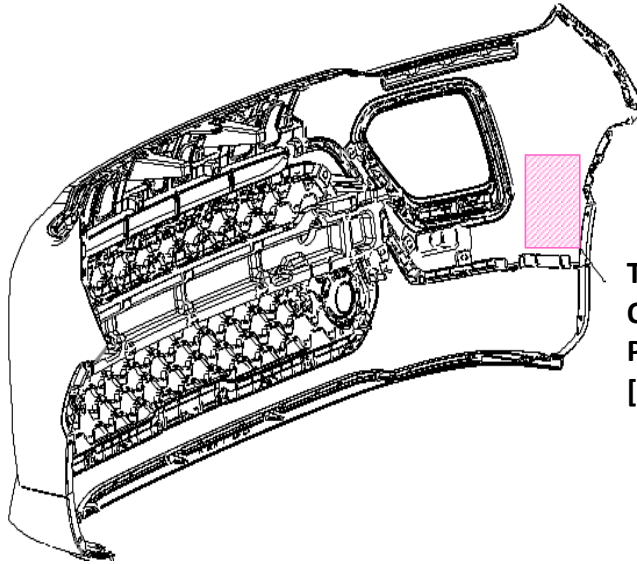
VIEW "V"

Side Outer Panel (LH/RH)

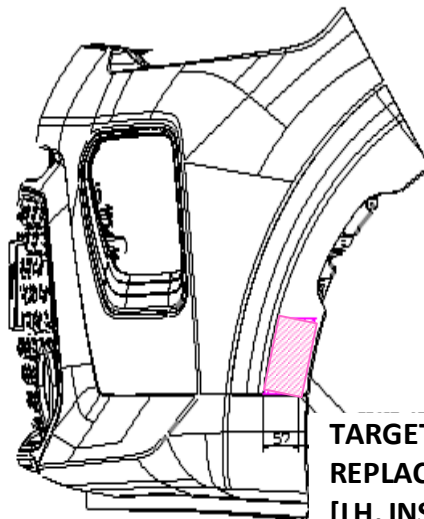


PNL-SIDE OTR, L/R

Front Bumper

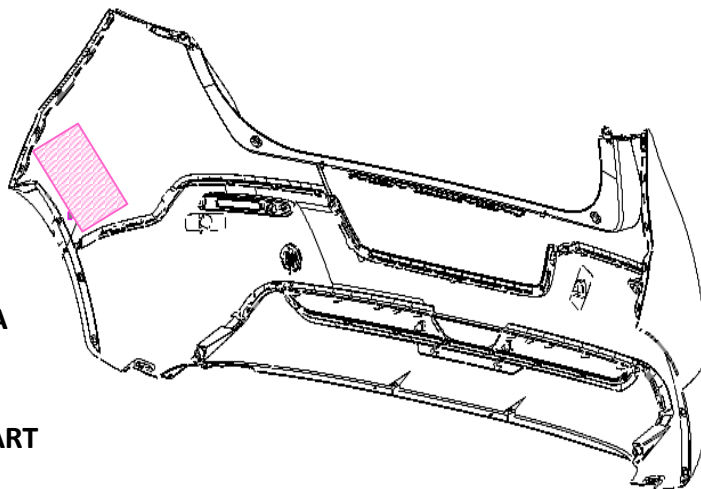


TARGET AREA FOR
ORIGINALLY EQUIPPED
PART
[RH, INSIDE]

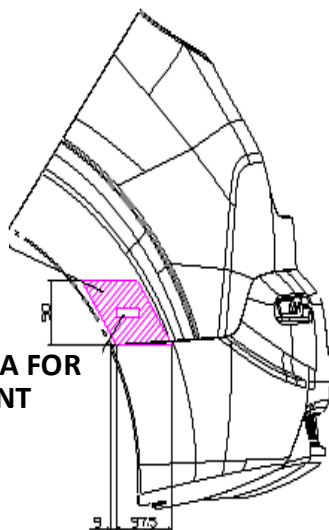


TARGET AREA FOR
REPLACEMENT PART
[LH, INSIDE]

Rear Bumper



**TARGET AREA
FOR
ORIGINALLY
EQUIPPED PART**

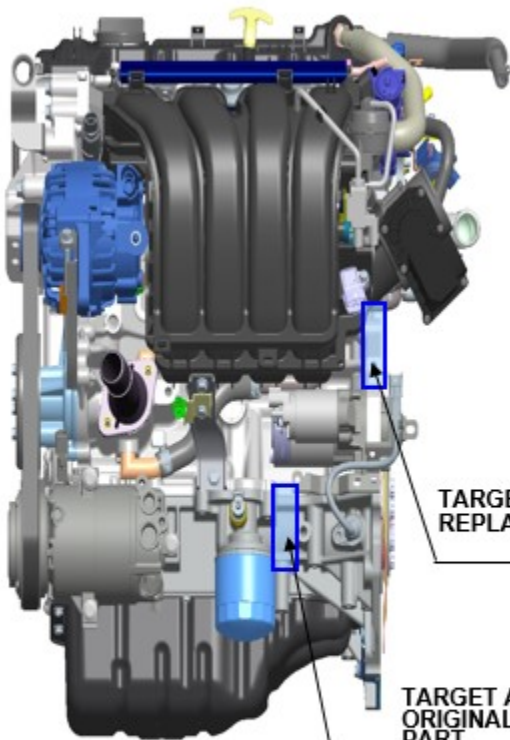


**TARGET AREA FOR
REPLACEMENT
PART
[LH, INSIDE]**

Engine (2.0L)



TARGET AREA 'A' FOR
ORIGINALLY EQUIPPED
PART



TARGET AREA FOR
REPLACEMENT PART

TARGET AREA 'B' FOR
ORIGINALLY EQUIPPED
PART
(ALTERNATIVE)

※ VIN plate for originally equipped part
will be attached to either A or B.

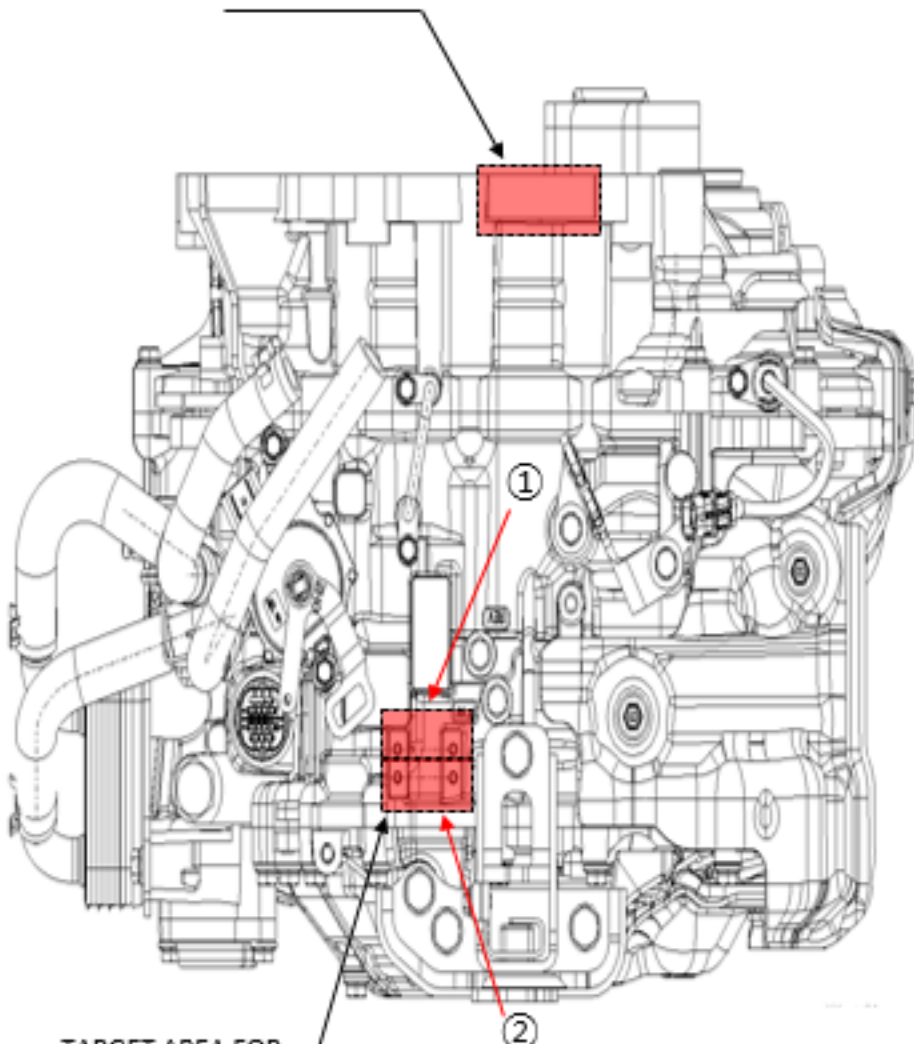
Transmission (CVT for 2.0 MPI)

RKM DOT

OR

R KMC

TARGET AREA FOR
REPLACEMENT PART



TARGET AREA FOR
ORIGINALLY EQUIPPED PART
(ATTACH ONE VIN PLATE LOCATION 1 OR 2.)