

VIN marking area for G90 model

- 1. Hood**
- 2. Trunk Lid**
- 3. Front Fender (LH/RH)**
- 4. Front Door (LH/RH)**
- 5. Rear Door (LH/RH)**
- 6. Side Outer Panel (LH/RH)**
- 7. Front Bumper**
- 8. Rear Bumper**
- 9. Engine**
- 10. Transmission**



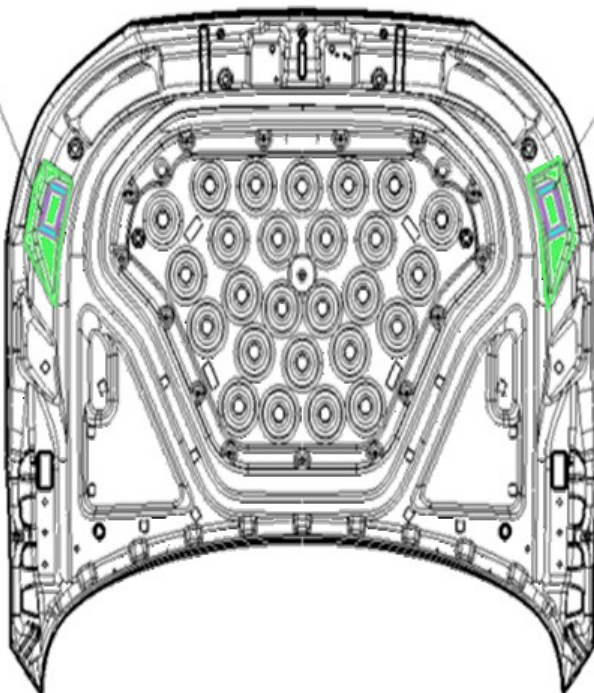
Hood

TARGET AREA FOR
ORIGINALLY EQUIPPED PART

TARGET AREA FOR
REPLACEMENT PART

RH

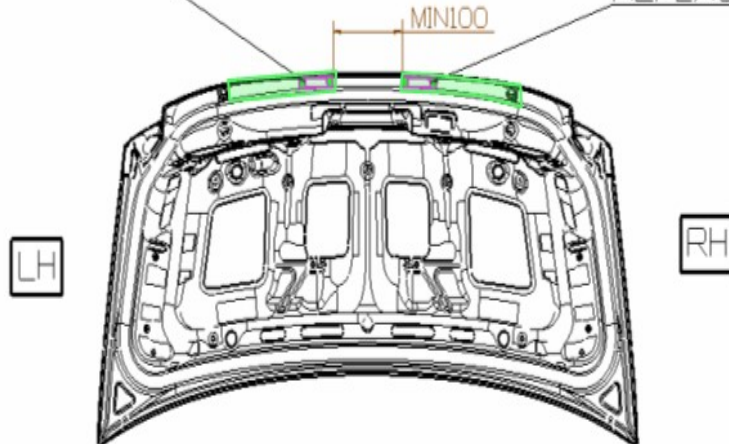
LH



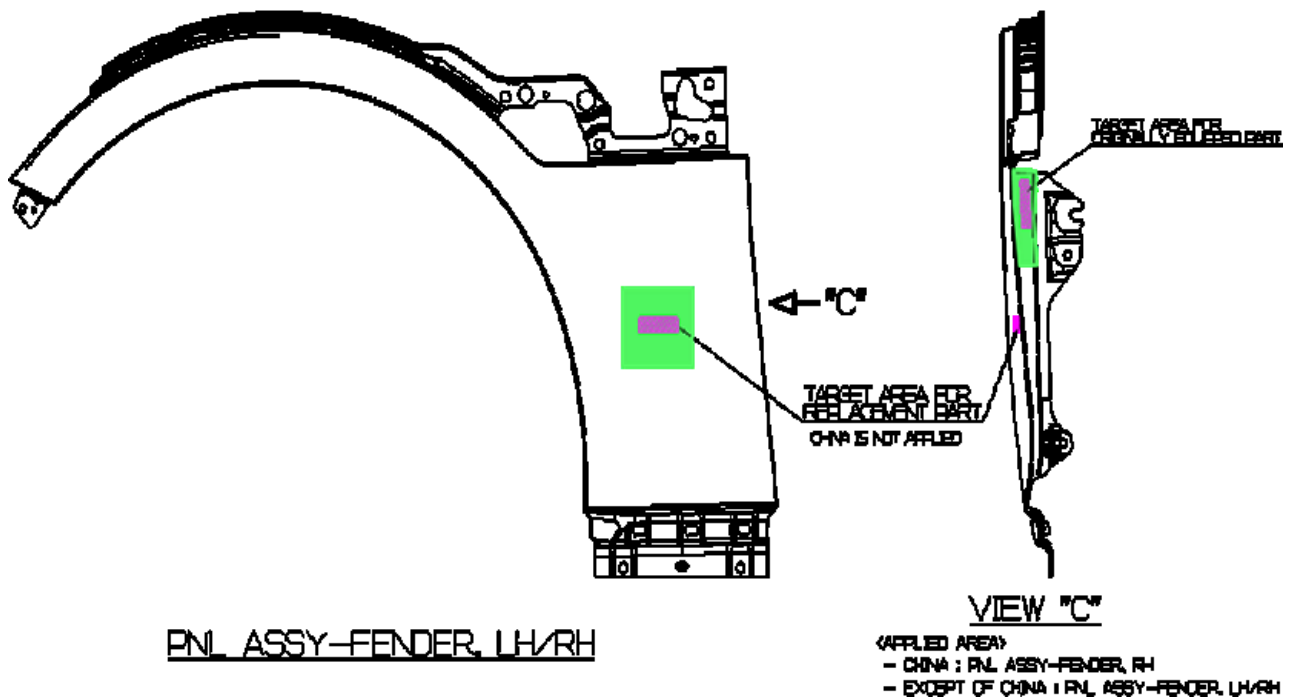
Trunk Lid

TARGET AREA FOR
ORIGINALLY EQUIPPED PART

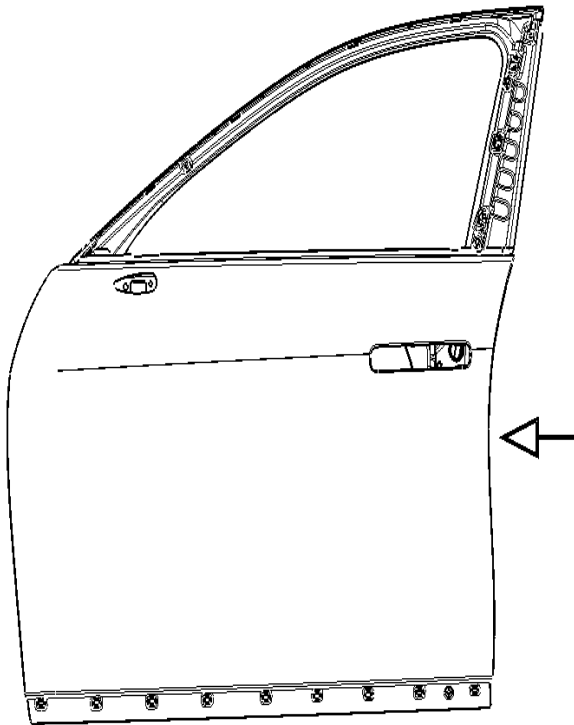
TARGET AREA FOR
REPLACEMENT PART



Front Fender (LH/RH)

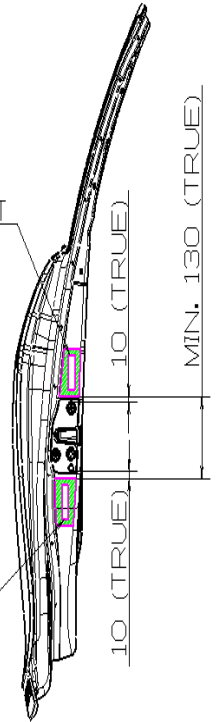


Front Door (LH/RH)

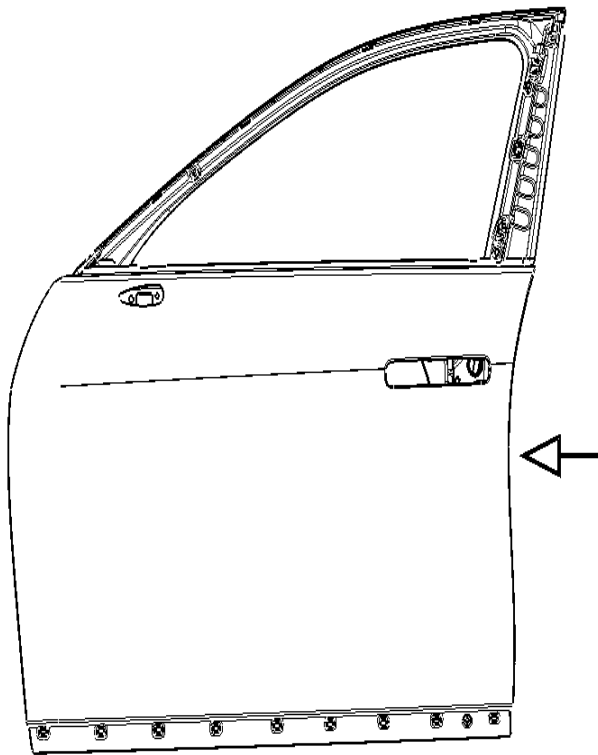


TARGET AREA FOR
ORIGINALLY EQUIPPED PART

TARGET AREA FOR
REPLACEMENT PART

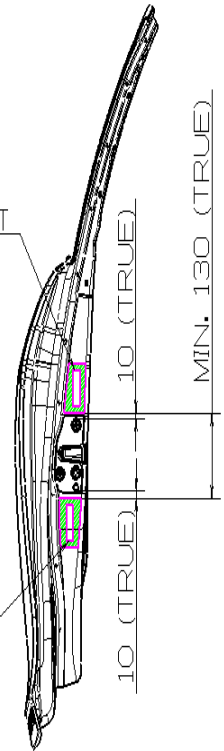


Rear Door (LH/RH)

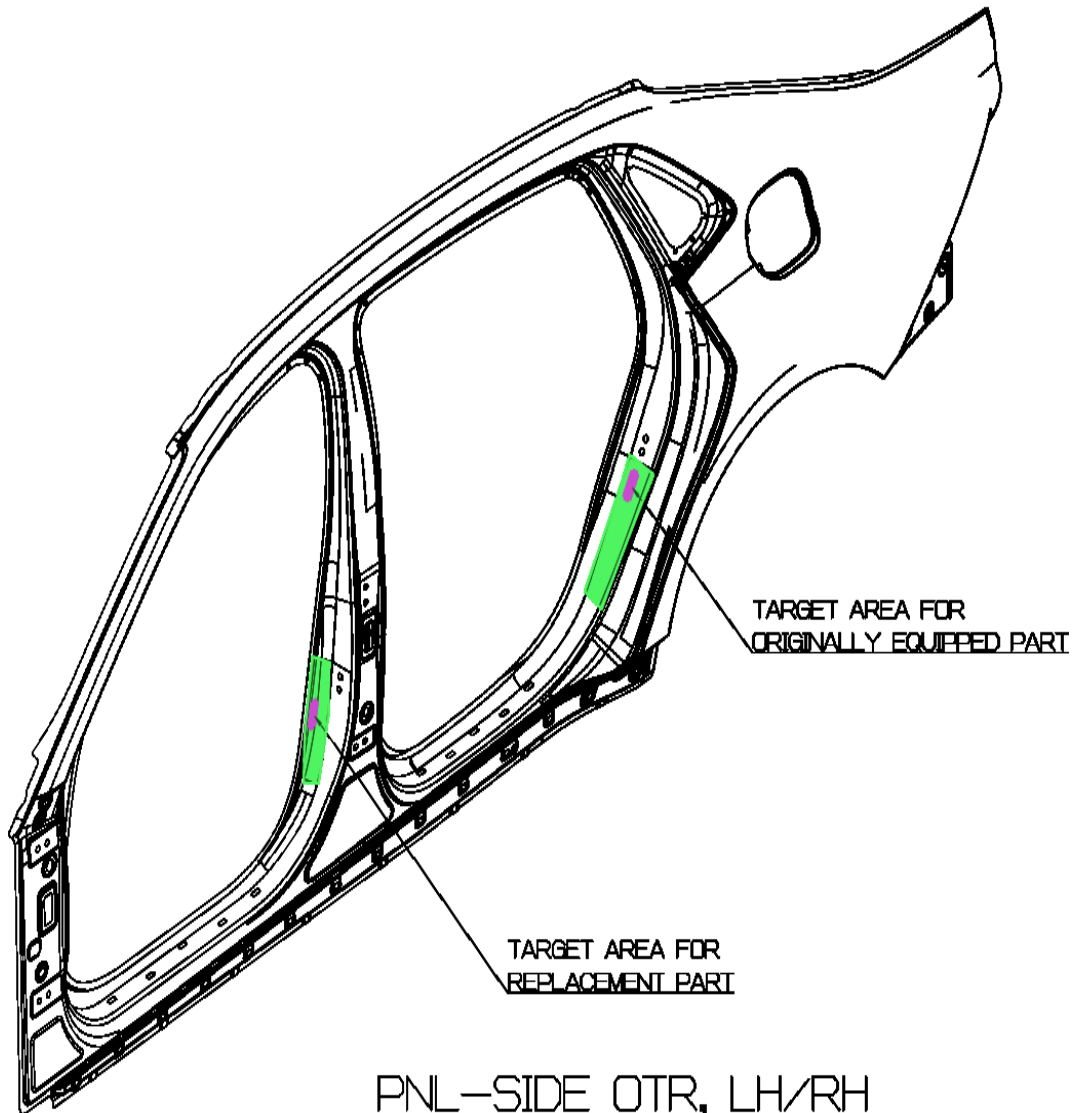


TARGET AREA FOR
ORIGINALLY EQUIPPED PART

TARGET AREA FOR
REPLACEMENT PART



Side Outer Panel (LH/RH)



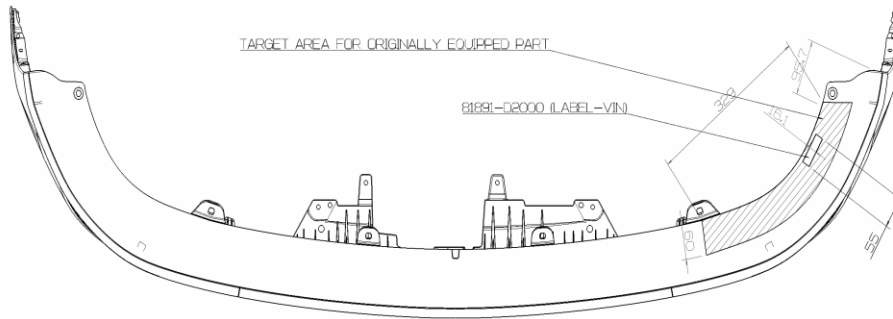
PNL-SIDE OTR, LH/RH

<APPLIED AREA>

- CHINA : NOT APPLIED

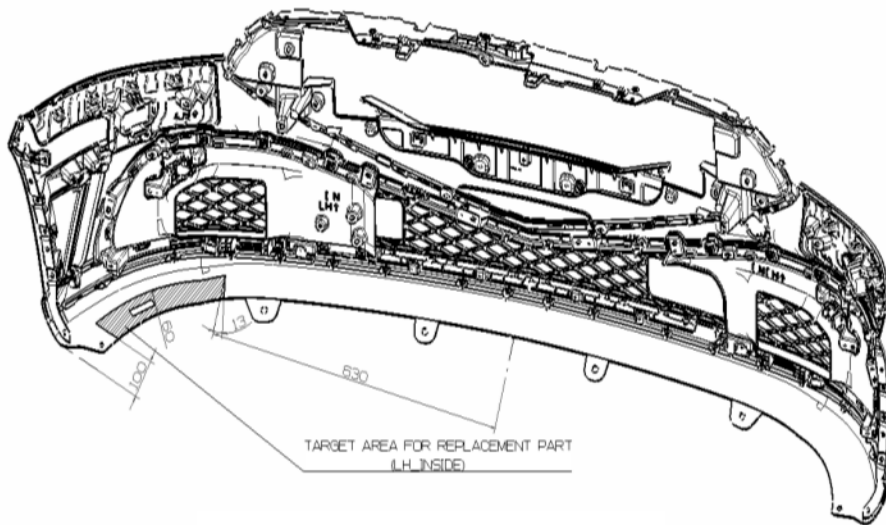
- EXCEPT OF CHINA : PNL ASSY-SIDE OTR, LH/RH

Front Bumper



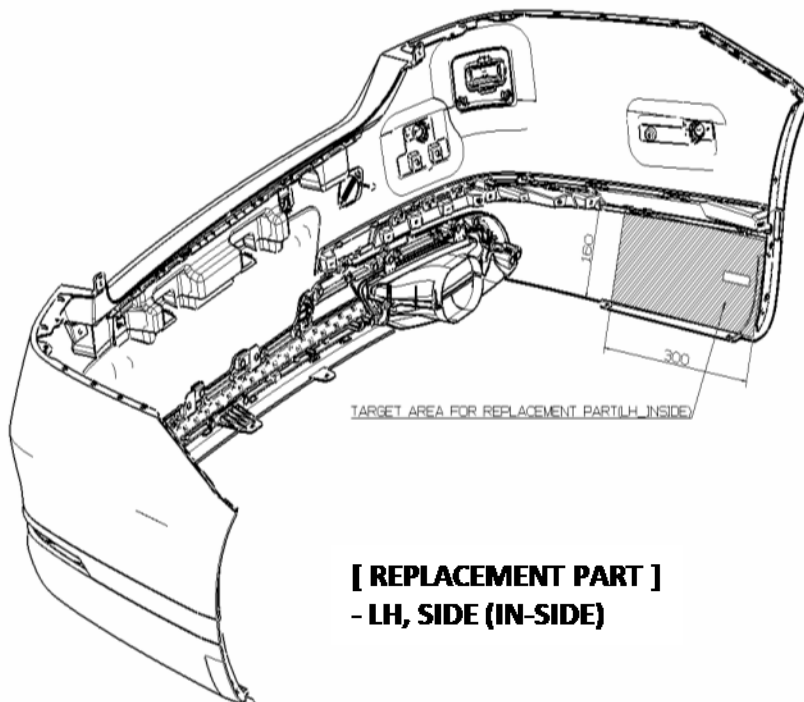
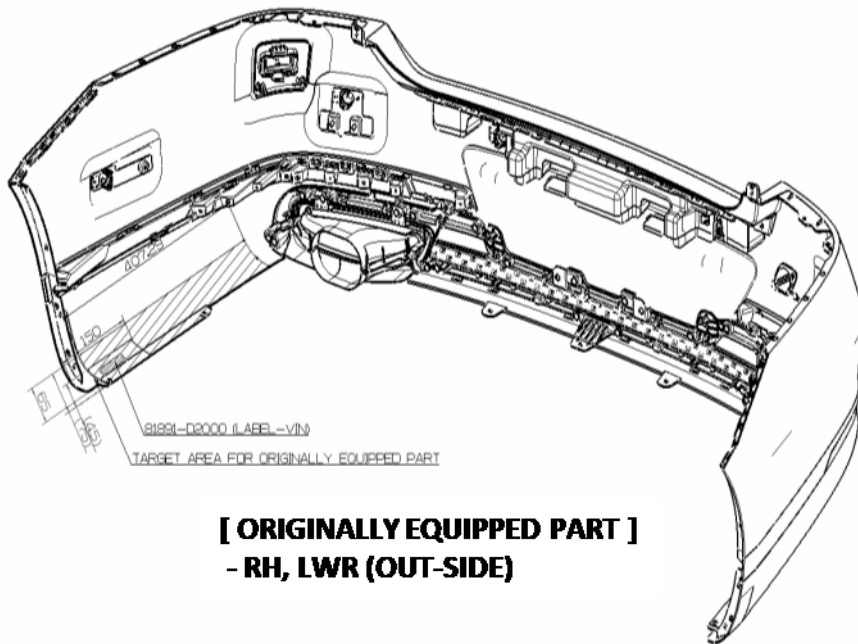
[ORIGINALLY EQUIPPED PART]
- RH, LWR (OUT-SIDE)

※BOTTOM VIEW

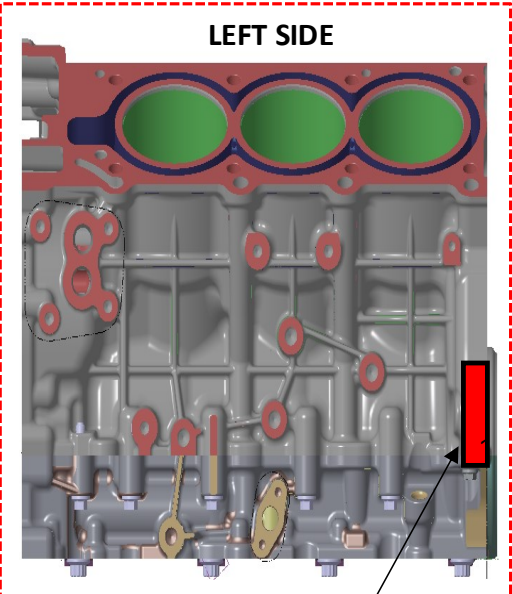
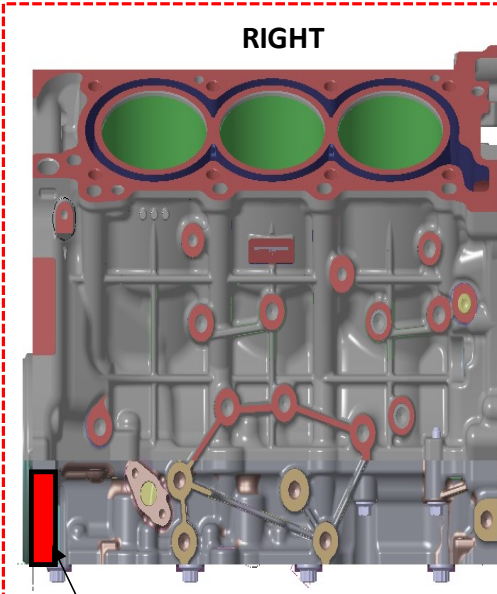


[REPLACEMENT PART]
- LH, SIDE (IN-SIDE)

Rear Bumper

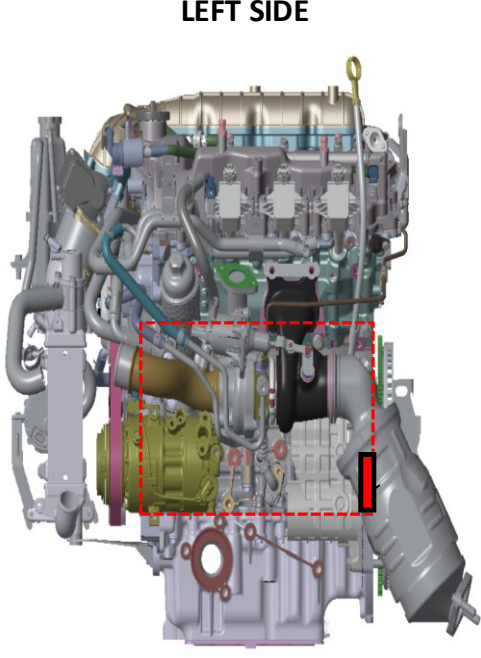
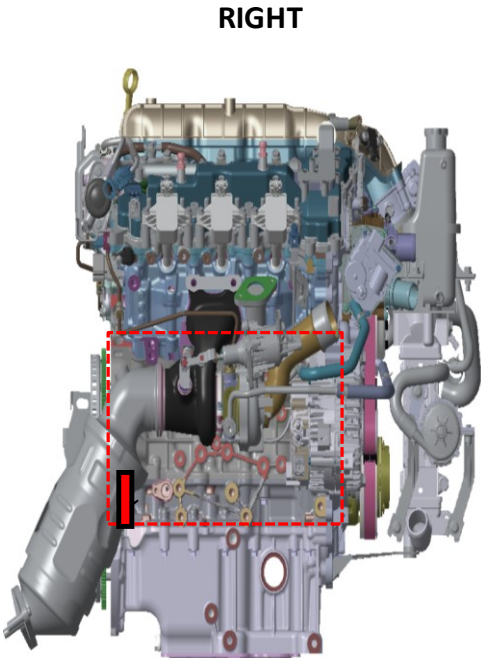


Engine (3.5L T-GDI)



**TARGET AREA FOR
REPLACEMENT PART**

**TARGET AREA FOR
ORIGINALLY EQUIPPED
PART**



Transmission (Auto for LAMBDA 3.5 Engine)

