

Target Area Drawing List

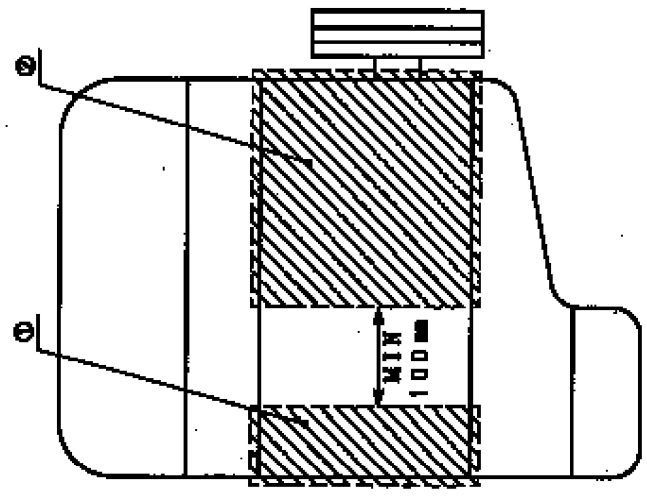
IS 300/350/500 (2022 Year Model)

<u>Engine (Type)</u>	<u>Drawing No.</u>
Engine (2GR-FKS)	18-1-1-A
Engine (8AR-FTS)	18-1-2-A
Engine (2UR-GSE)	22-1-3-A

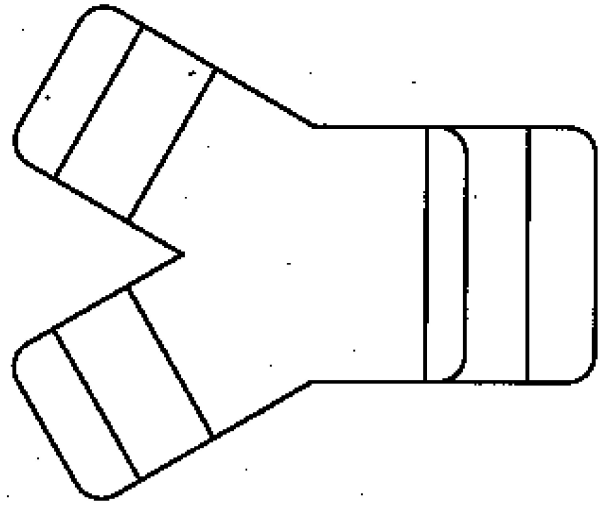
<u>Transmission</u>	<u>Drawing No.</u>
Automatic (A760H)	18-2-1-A
Automatic (AA81E)	18-2-2-A

<u>Body Panel</u>	<u>Drawing No.</u>
Right Front Fender	21-3-1-A
Left Front Fender	↑
Right Front Fender (IS 500)	22-3-2-A
Left Front Fender (IS 500)	↑
Hood	21-5-1-A
Hood (IS 500)	22-5-2-A
Right Front Door	21-6-1-A
Left Front Door	↑
Right Rear Door	21-8-1-A
Left Rear Door	↑
Front Bumper	18-11-1-A
Front Bumper (IS 500)	22-11-2-A
Rear Bumper	18-12-1-A
Right Rear Quarter Panel	21-13-1-A
Left Rear Quarter Panel	↑
Decklid	21-18-1-A

- ① TARGET AREA - PRODUCTION PARTS
- ② TARGET AREA - REPLACEMENT PARTS



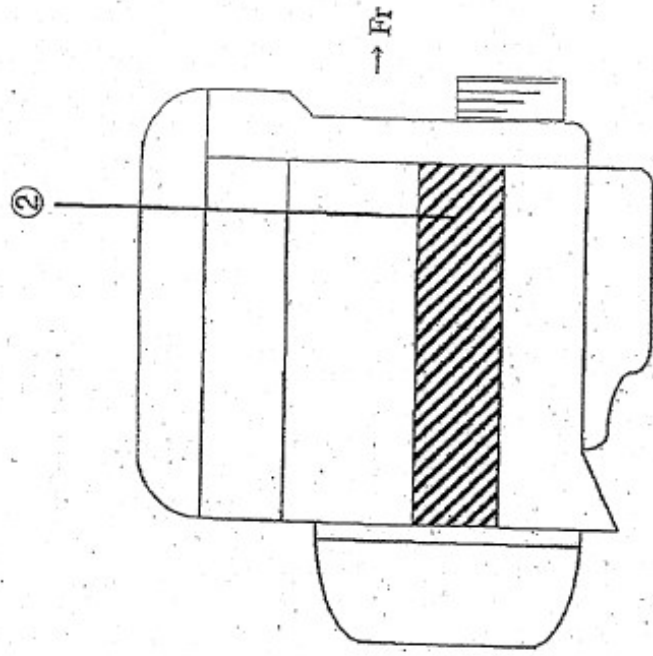
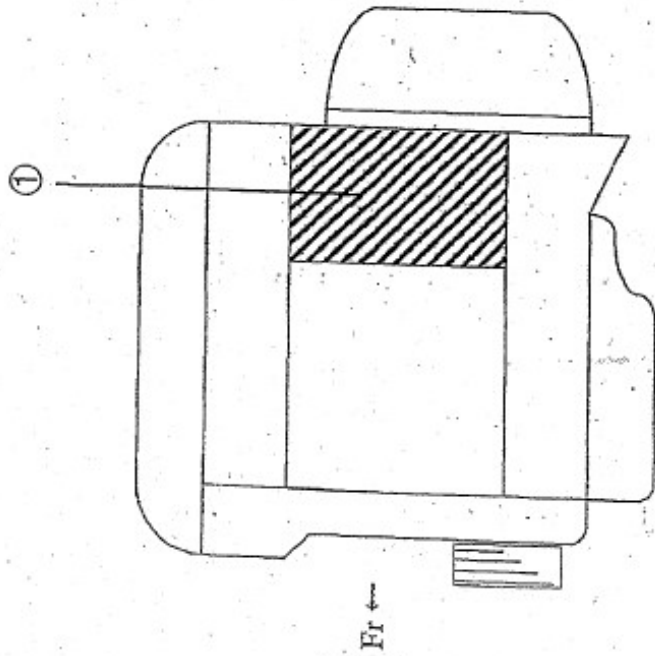
Side view(right)



Front view

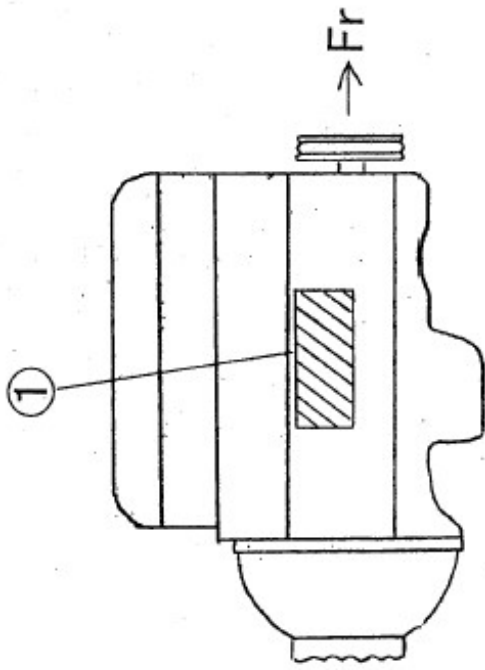
PART:	Engine : 2GR-FKS
MODEL:	IS 300/350/500
	DWG. NO.: 18-1-1-A
	TOYOTA MOTOR CORPORATION

- ① TARGET AREA – PRODUCTION PARTS
- ② TARGET AREA – REPLACEMENT PARTS

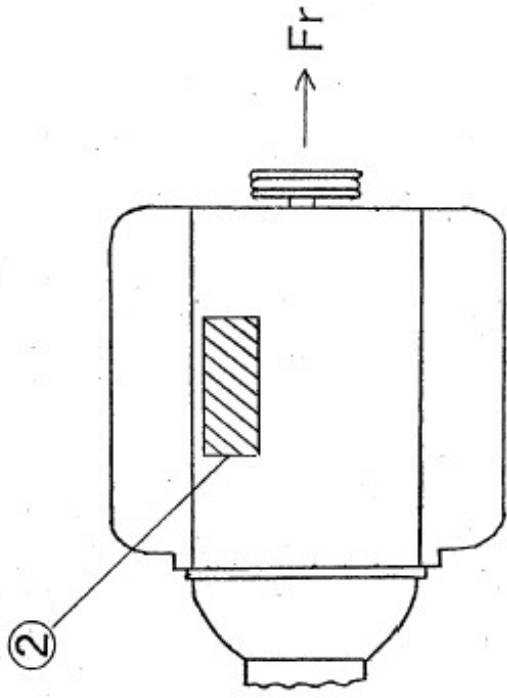


PART:	Engine : 8AR-FTS
MODEL:	DWG. NO.: 18-1-2-A
IS 300/350/500	
TOYOTA MOTOR CORPORATION	

- ① TARGET AREA – PRODUCTION PARTS
- ② TARGET AREA – REPLACEMENT PARTS



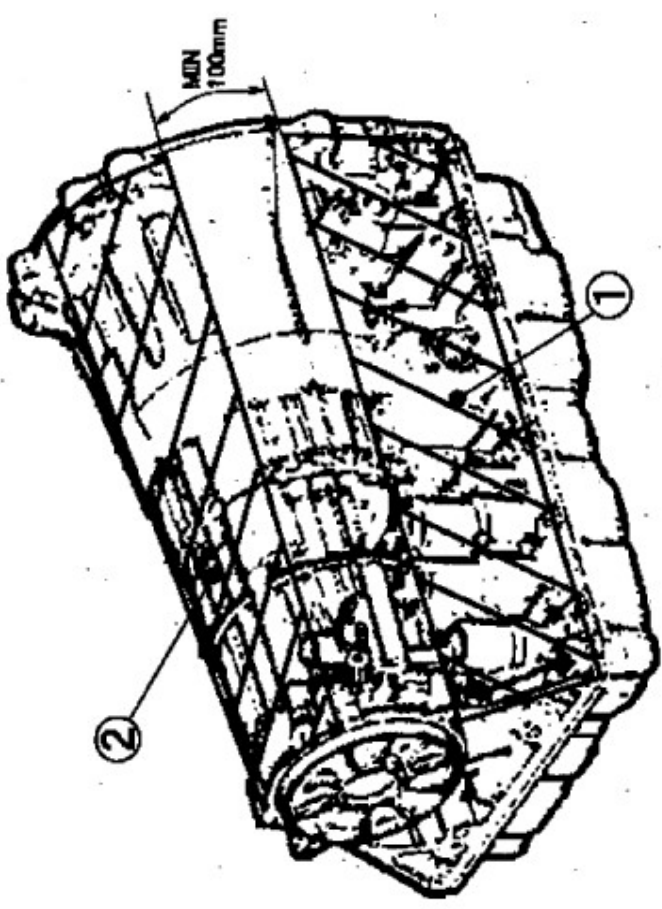
Side view (right)



Bottom view

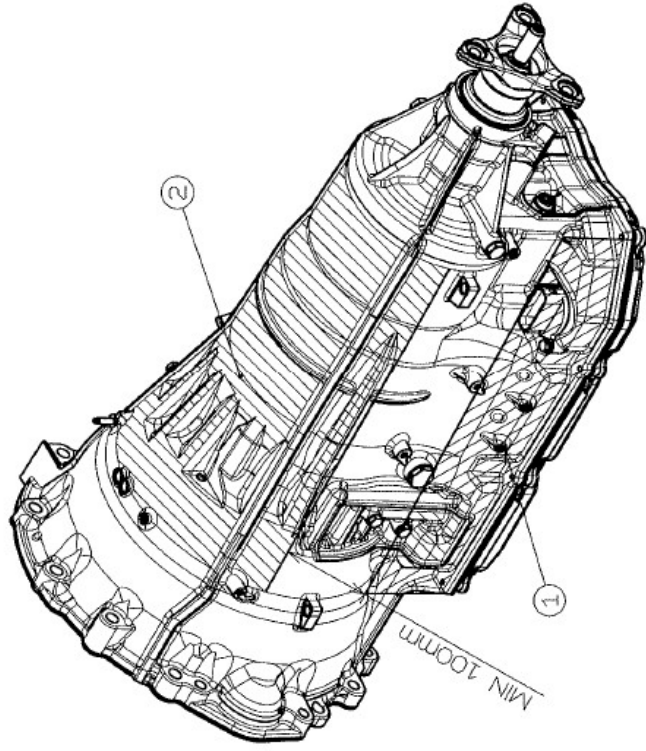
PART:	Engine : 2UR-GSE
MODEL:	DWG. NO.: 22-1-3-A
IS 300/350/500	
TOYOTA MOTOR CORPORATION	

- ① TARGET AREA - PRODUCTION PARTS
- ② TARGET AREA - REPLACEMENT PARTS



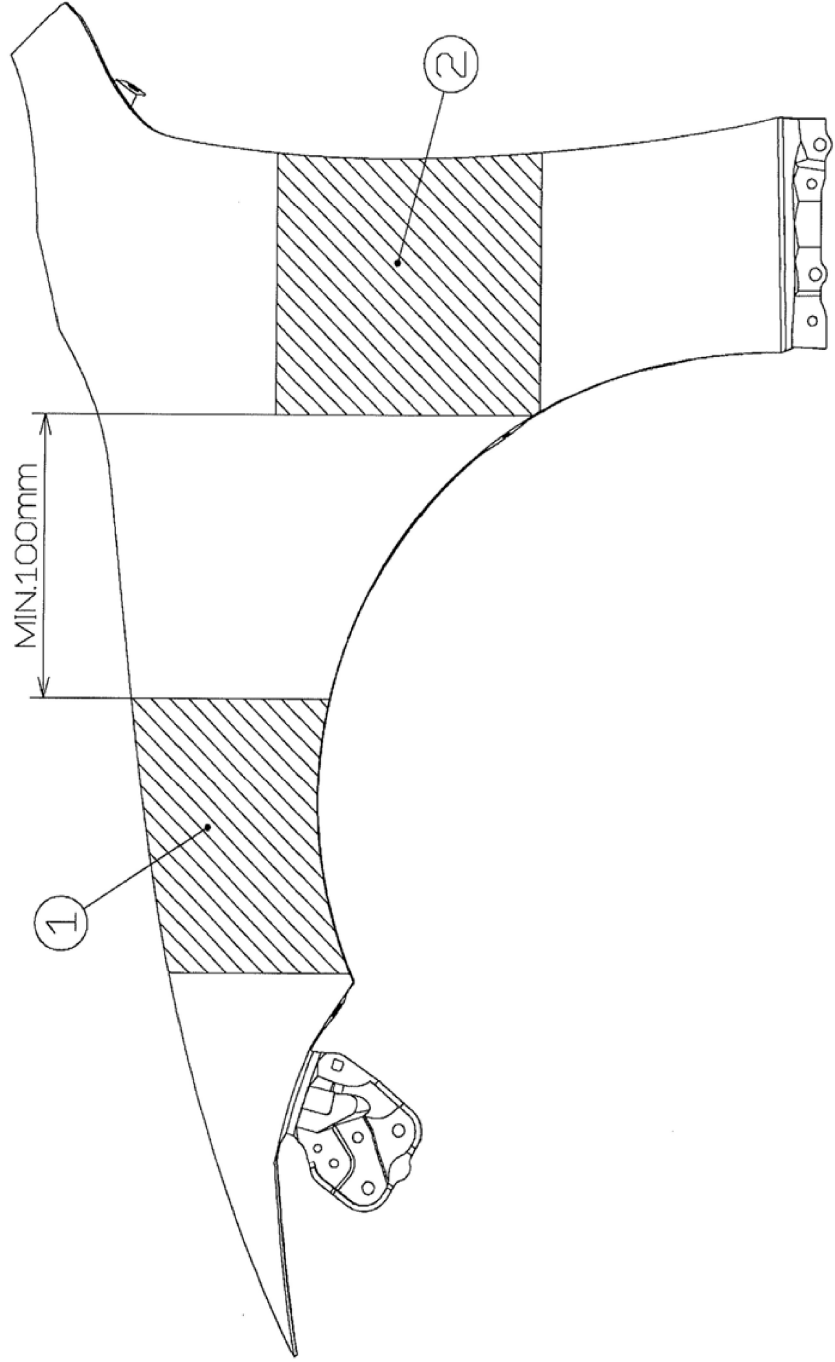
PART:	Transmission : Automatic (A760H)	
MODEL:	IS 300/350/500	DWG. NO.: 18-2-1-A
	TOYOTA MOTOR CORPORATION	

- ① TARGET AREA – PRODUCTION PARTS
- ② TARGET AREA – REPLACEMENT PARTS



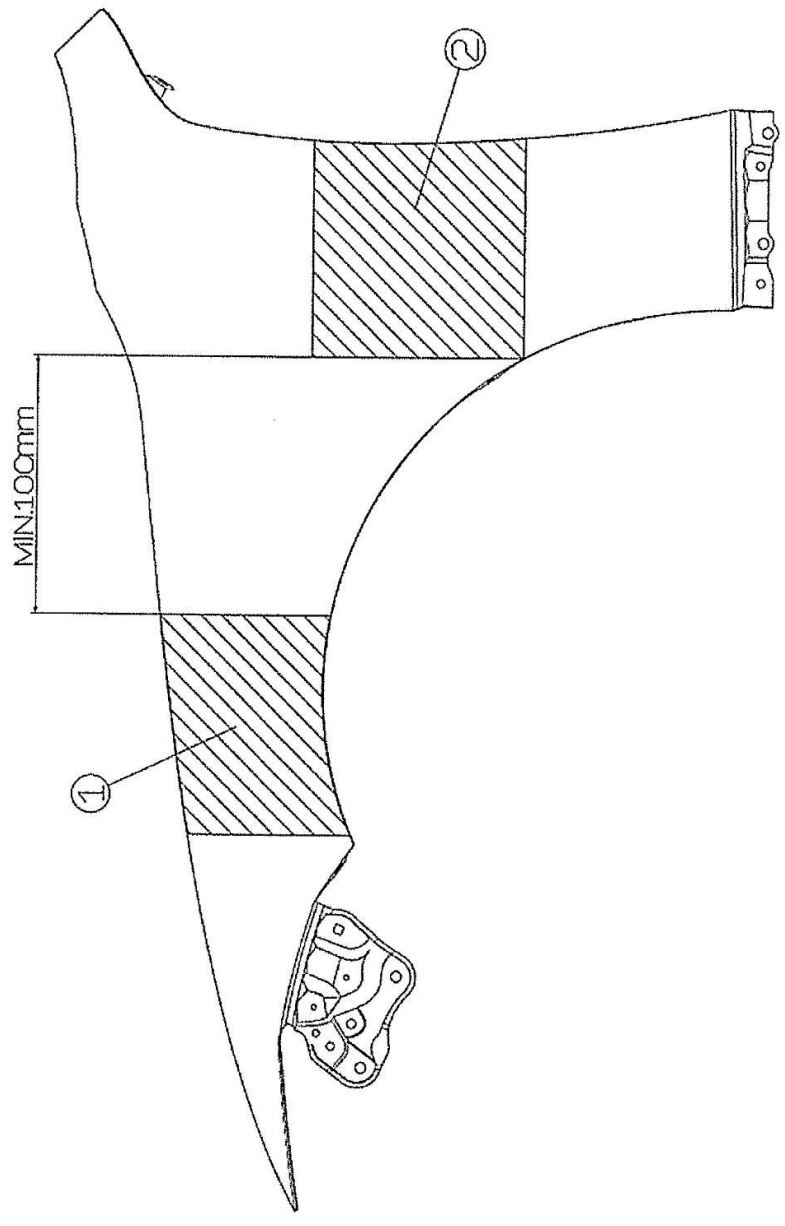
PART: Transmission : Automatic (AA81E)	
MODEL:	DWG. NO.:
IS 300/350/500	18-2-2-A
TOYOTA MOTOR CORPORATION	

- ① TARGET AREA – PRODUCTION PARTS
- ② TARGET AREA – REPLACEMENT PARTS



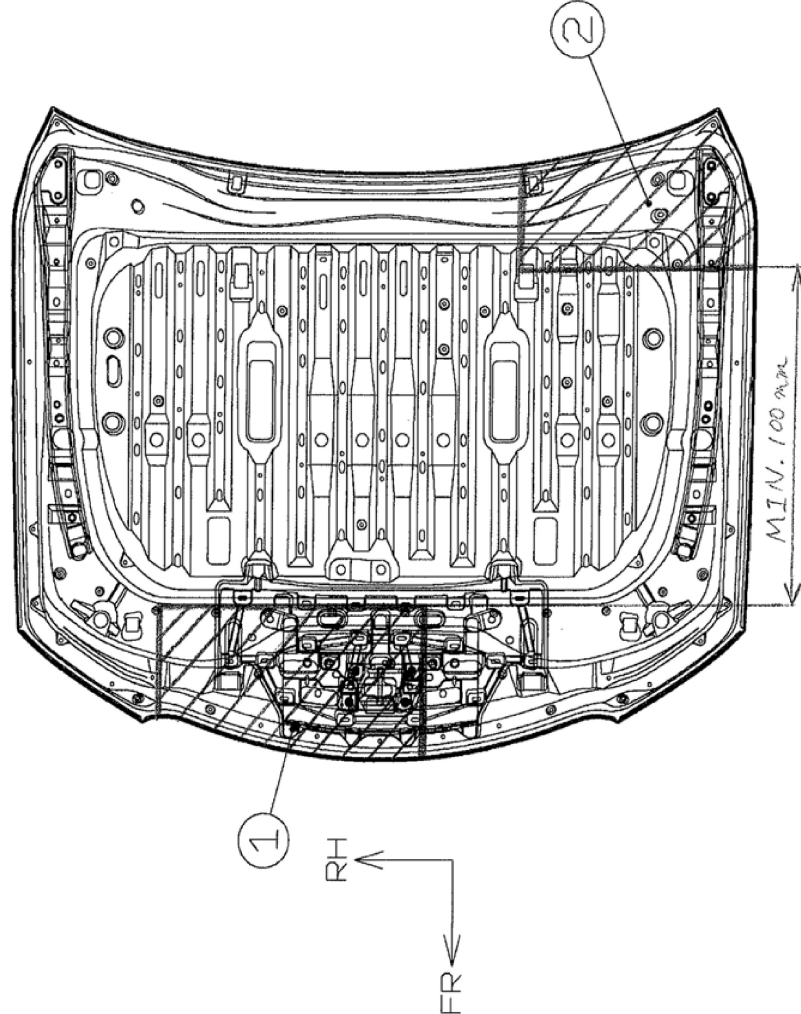
PART:	Front Fender	
MODEL:	IS 300/350/500	DWG. NO.: 21-3-1-A
TOYOTA MOTOR CORPORATION		

- ① TARGET AREA – PRODUCTION PARTS
- ② TARGET AREA – REPLACEMENT PARTS



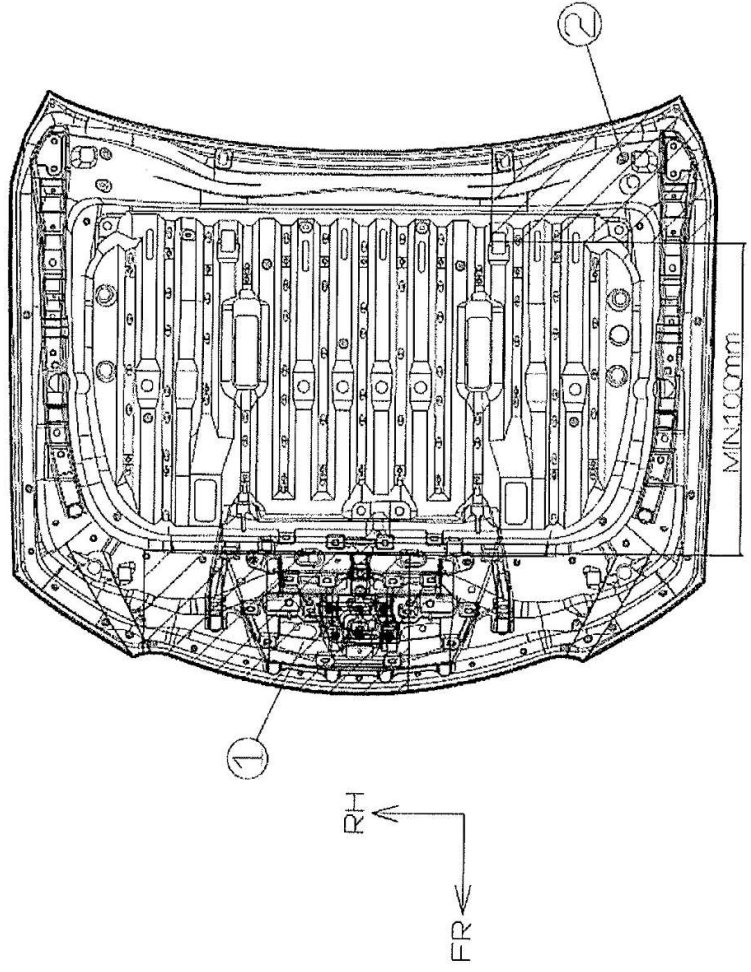
PART: Front Fender (IS 500)	
MODEL:	DWG. NO.:
IS 300/350/500	22-3-2-A
TOYOTA MOTOR CORPORATION	

- ① TARGET AREA - PRODUCTION PARTS
- ② TARGET AREA - REPLACEMENT PARTS



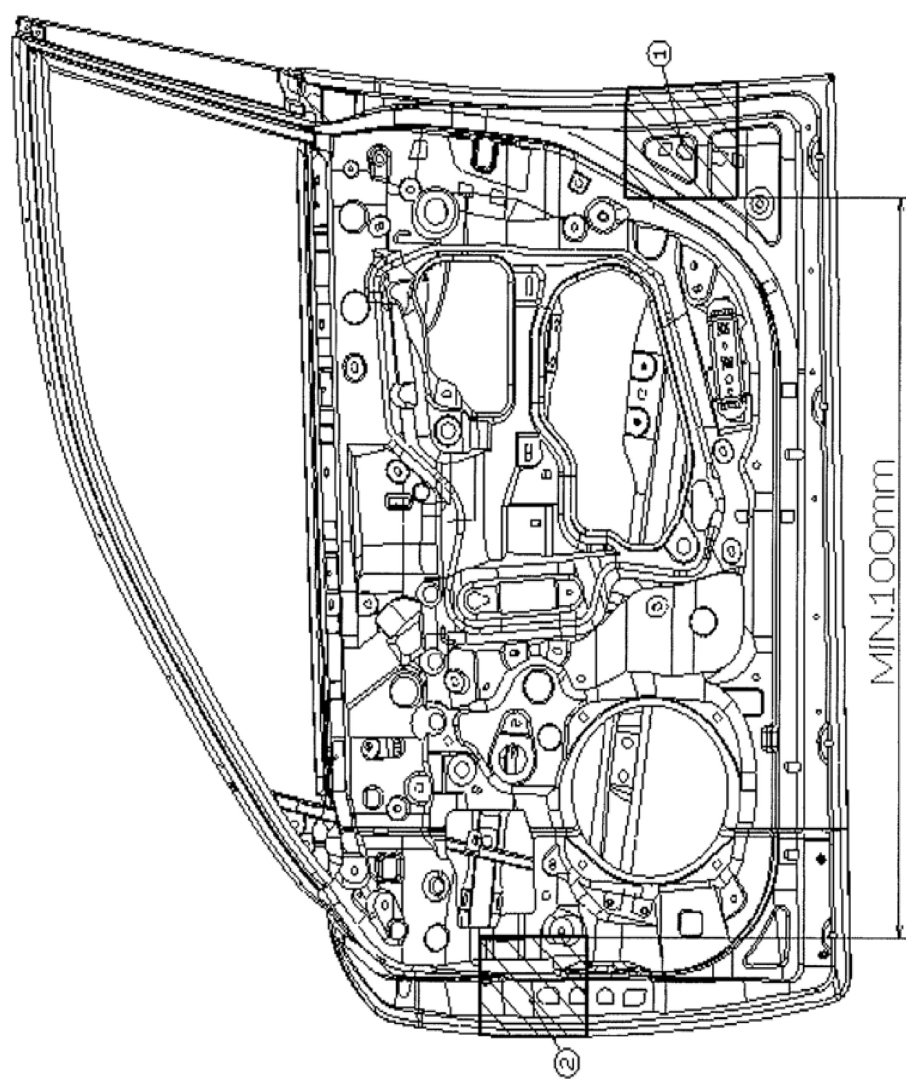
PART: Hood	
MODEL: IS 300/350/500	DWG. NO.: 21-5-1-A
TOYOTA MOTOR CORPORATION	

- ① TARGET AREA – PRODUCTION PARTS
- ② TARGET AREA – REPLACEMENT PARTS



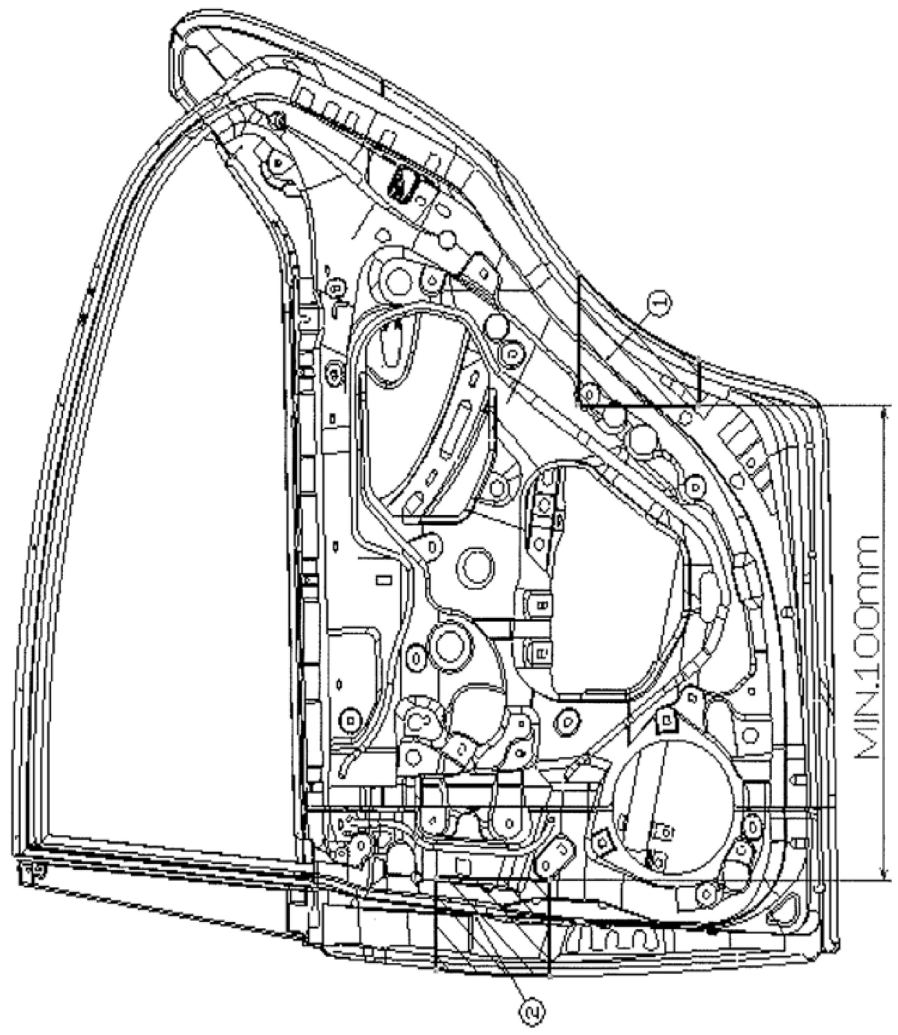
PART:	Hood (IS 500)	
MODEL:	IS 300/350/500	DWG. NO.: 22-5-2-A
TOYOTA MOTOR CORPORATION		

- ① TARGET AREA – PRODUCTION PARTS
- ② TARGET AREA – REPLACEMENT PARTS



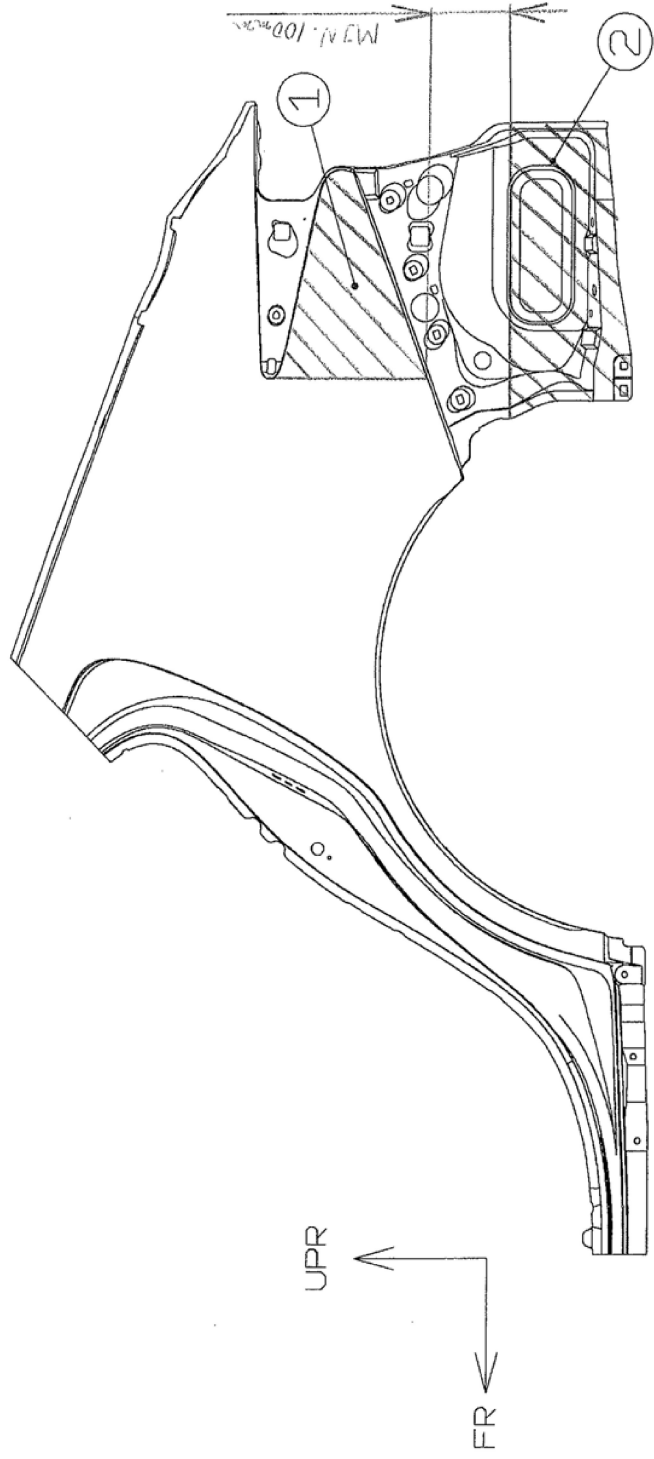
PART:	Front Door	
MODEL:	IS 300/350/500	DWG. NO.: 21-6-1-A
TOYOTA MOTOR CORPORATION		

- ① TARGET AREA – PRODUCTION PARTS
- ② TARGET AREA – REPLACEMENT PARTS



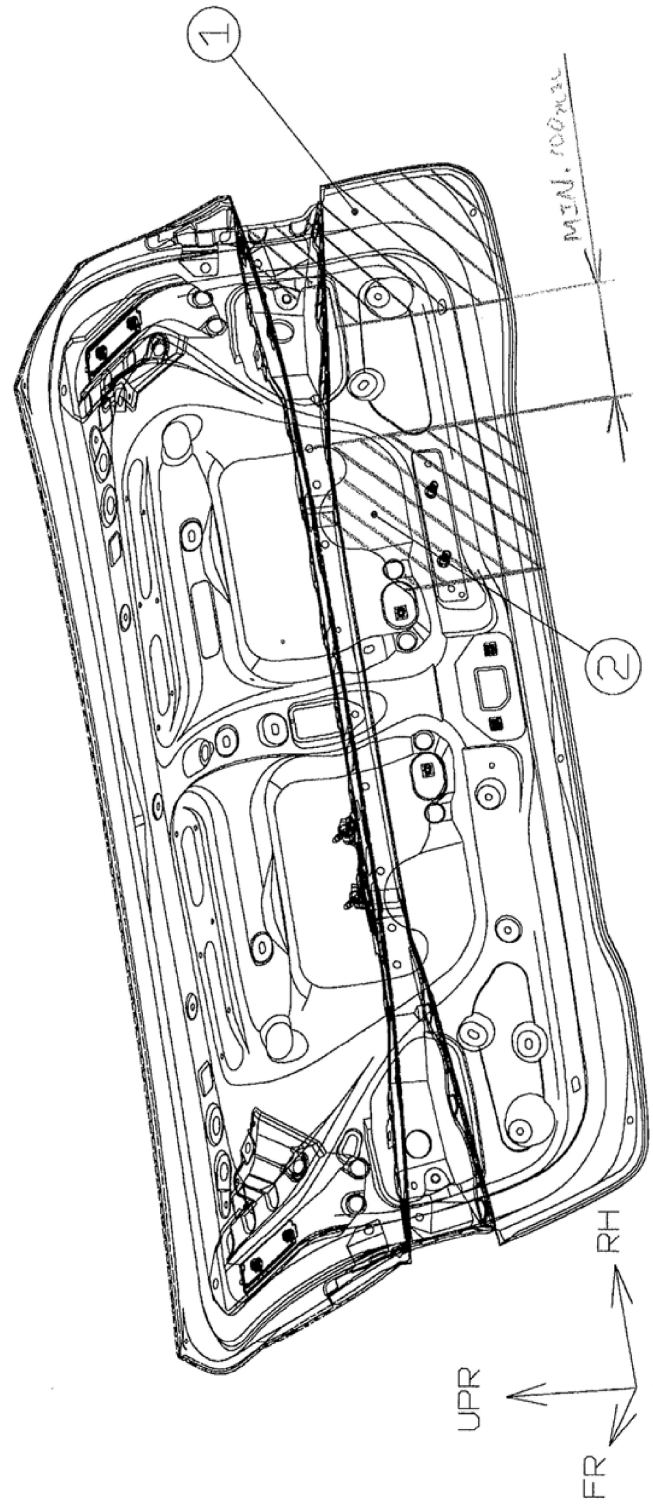
PART:	Rear Door	
MODEL:	IS 300/350/500	DWG. NO.: 21-8-1-A
TOYOTA MOTOR CORPORATION		

- ① TARGET AREA – PRODUCTION PARTS
- ② TARGET AREA – REPLACEMENT PARTS



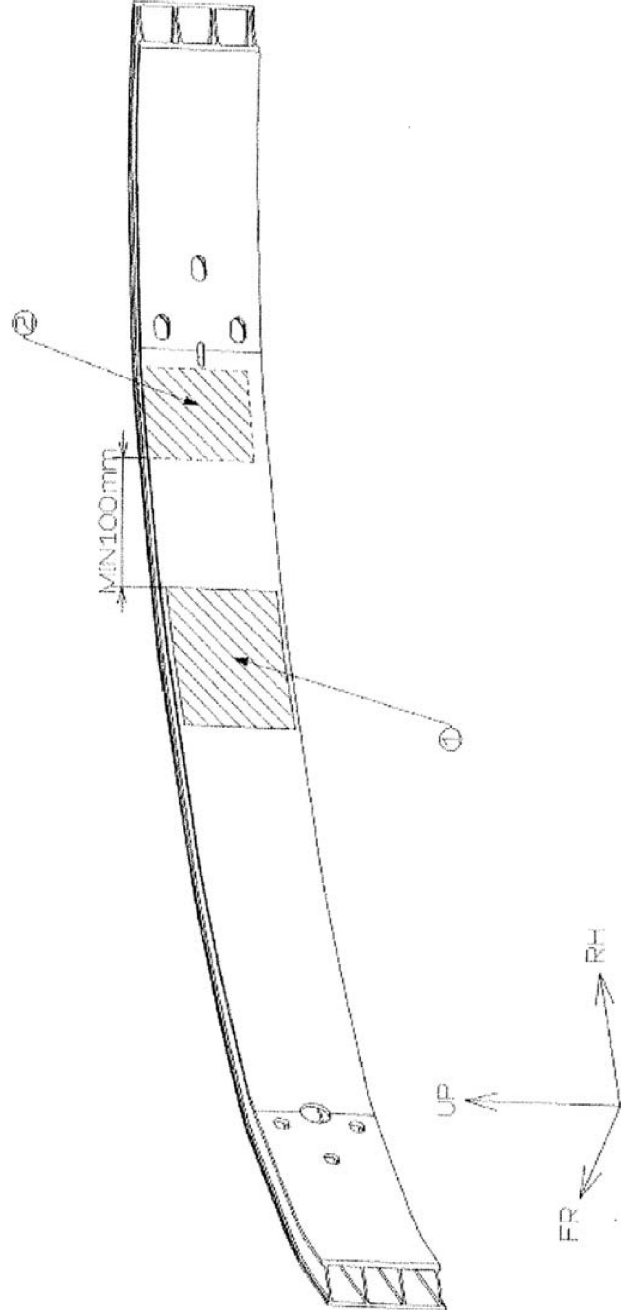
PART: Rear Quarter Panel	
MODEL: IS 300/350/500	DWG. NO.: 21-13-1-A
TOYOTA MOTOR CORPORATION	

- ① TARGET AREA - PRODUCTION PARTS
- ② TARGET AREA - REPLACEMENT PARTS



PART:	Decklid	
MODEL:	IS 300/350/500	DWG. NO.: 21-18-1-A
TOYOTA MOTOR CORPORATION		

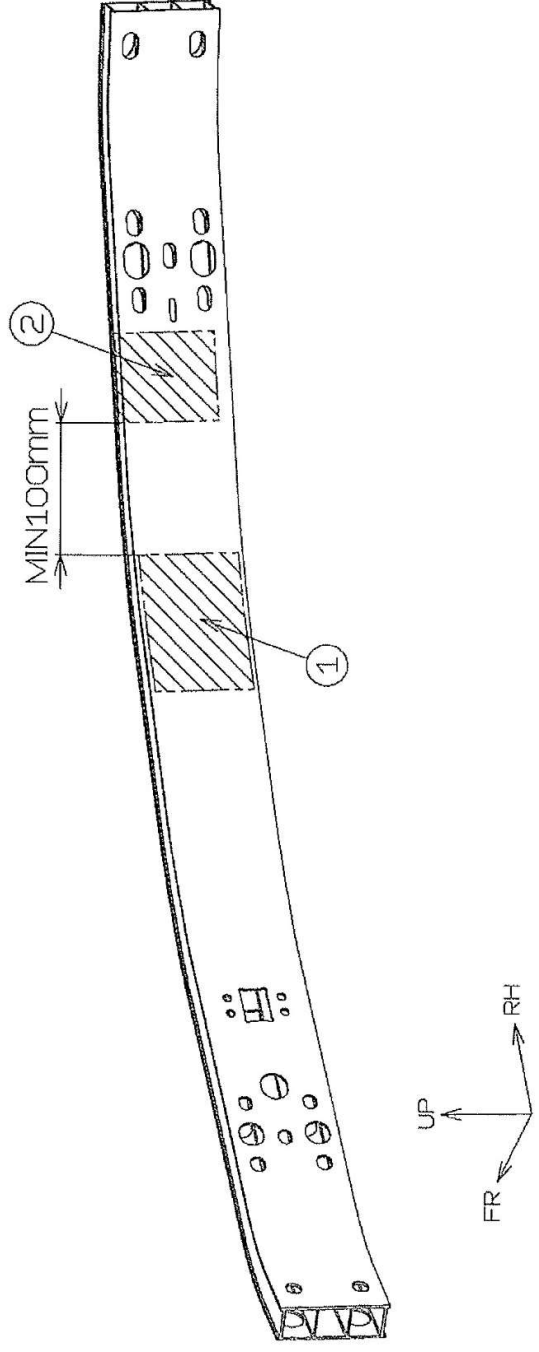
- ① TARGET AREA – PRODUCTION PARTS
- ② TARGET AREA – REPLACEMENT PARTS



Note: ② is located in the front of the vehicle (the opposite side in this drawing).

PART:	Front Bumper	
MODEL:	IS 300/350/500	DWG. NO.: 18-11-1-A
TOYOTA MOTOR CORPORATION		

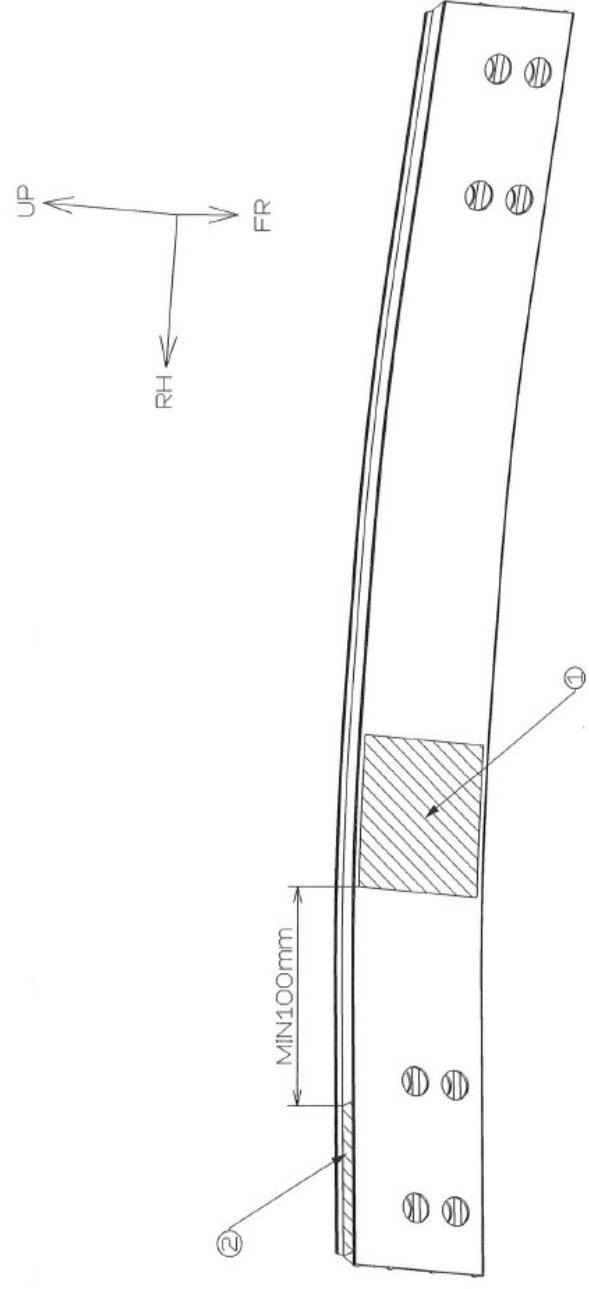
- ① TARGET AREA – PRODUCTION PARTS
- ② TARGET AREA – REPLACEMENT PARTS



Note: ⊗ is located in the front of the vehicle (the opposite side in this drawing)

PART:	Front Bumper (IS 500)	
MODEL:	IS 300/350/500	DWG. NO.: 22-11-2-A
	TOYOTA MOTOR CORPORATION	

- ① TARGET AREA – PRODUCTION PARTS
- ② TARGET AREA – REPLACEMENT PARTS



PART:	Rear Bumper	
MODEL:	IS 300/350/500	DWG. NO.: 18-12-1-A
	TOYOTA MOTOR CORPORATION	