

Target Area Drawing List

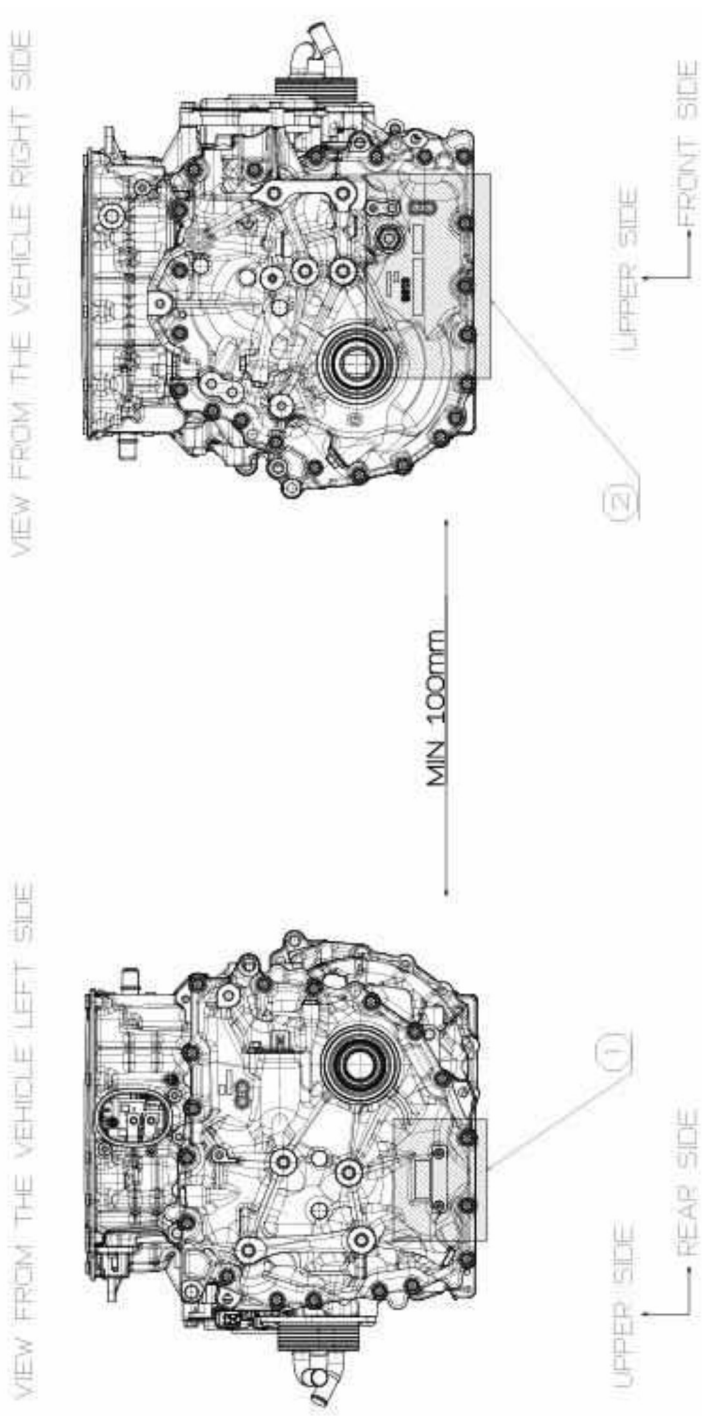
SOLTERRA (2023 Year Model)

<u>Motor</u>	<u>Drawing No.</u>
Q910	23-1-1-A
QA10	23-1-2-A

<u>Transmission</u>	<u>Drawing No.</u>
Q910	23-2-1-A
QA10	23-2-2-A

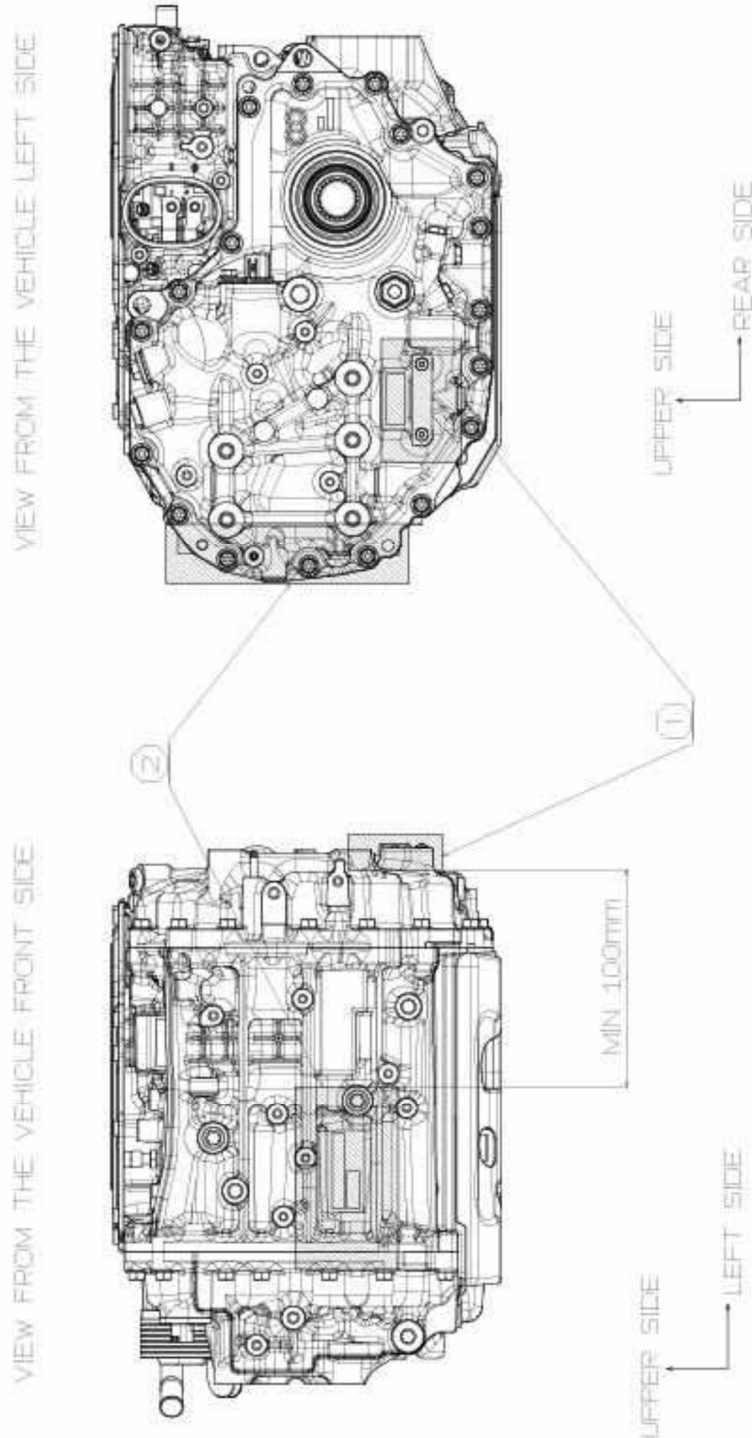
<u>Body Panel</u>	<u>Drawing No.</u>
Right Front Fender	23-3-1-A
Left Front Fender	↑
Hood	23-5-1-A
Right Front Door	23-6-1-A
Left Front Door	↑
Right Rear Door	23-8-1-A
Left Rear Door	↑
Front Bumper	23-11-1-A
Rear Bumper	23-12-1-A
Right Rear Quarter Panel	23-13-1-A
Left Rear Quarter Panel	↑
Back Door	23-18-1-A

- ① TARGET AREA – PRODUCTION PARTS
- ② TARGET AREA – REPLACEMENT PARTS



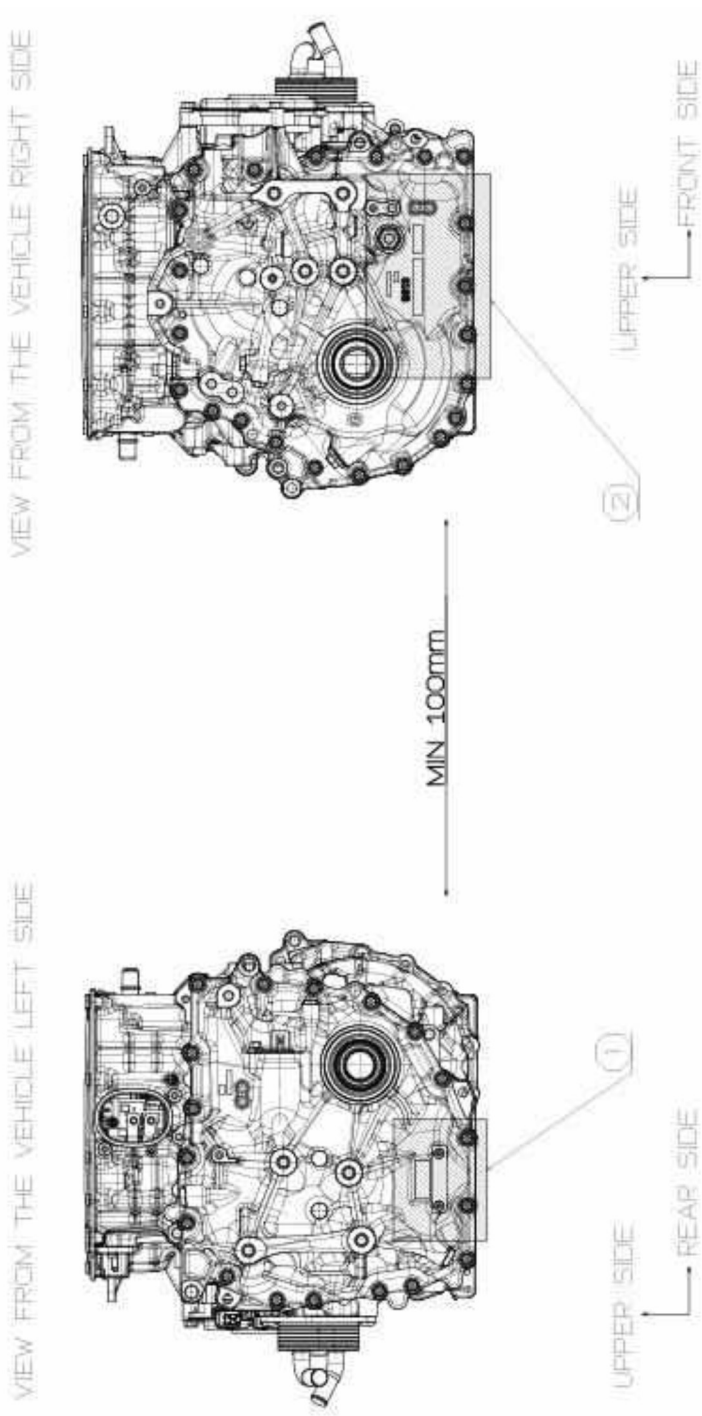
PART:	Motor (Q910)
MODEL:	SOLTERRA
DWG. NO.:	23-1-1-A
TOYOTA MOTOR CORPORATION	

- ① TARGET AREA – PRODUCTION PARTS
- ② TARGET AREA – REPLACEMENT PARTS



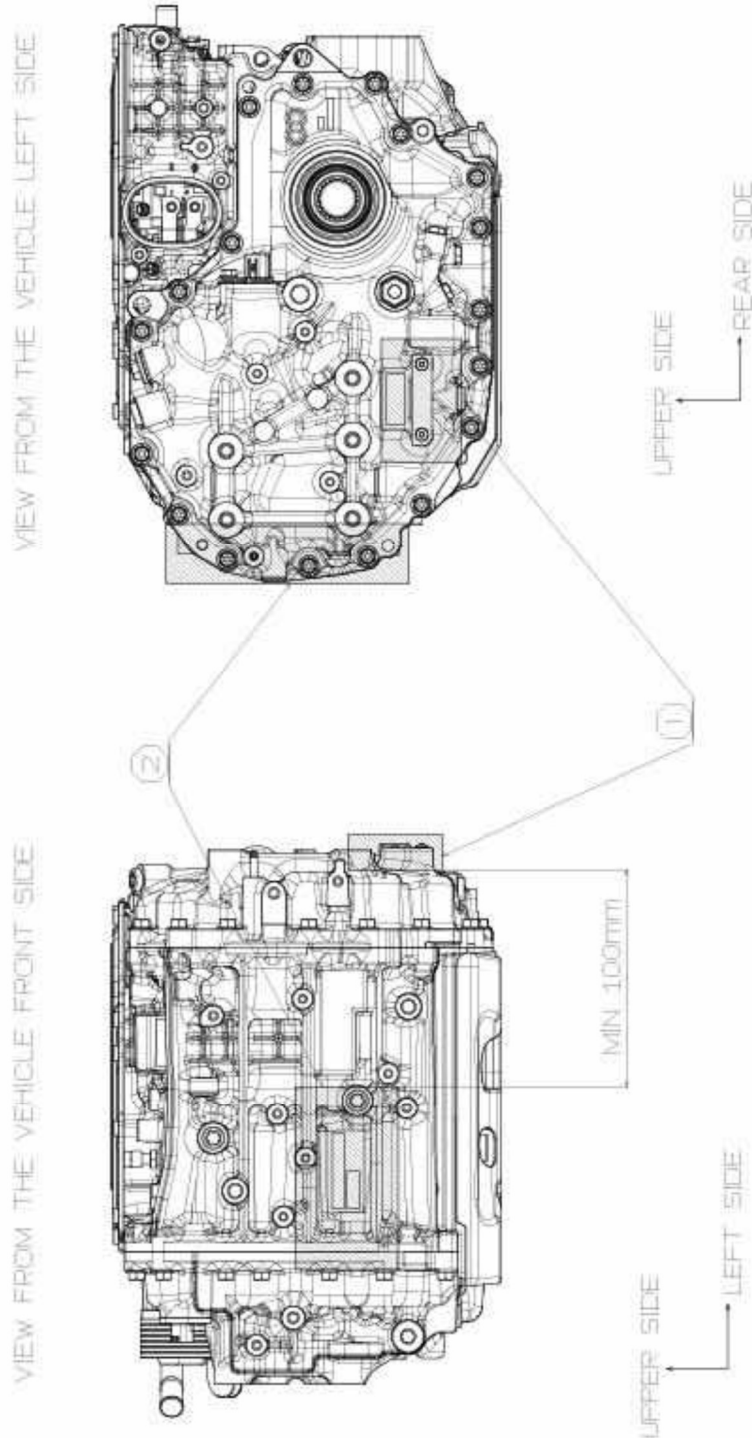
PART:	Motor (QA10)
MODEL:	SOLTERRA
DWG. NO.:	23-1-2-A
TOYOTA MOTOR CORPORATION	

- ① TARGET AREA – PRODUCTION PARTS
- ② TARGET AREA – REPLACEMENT PARTS



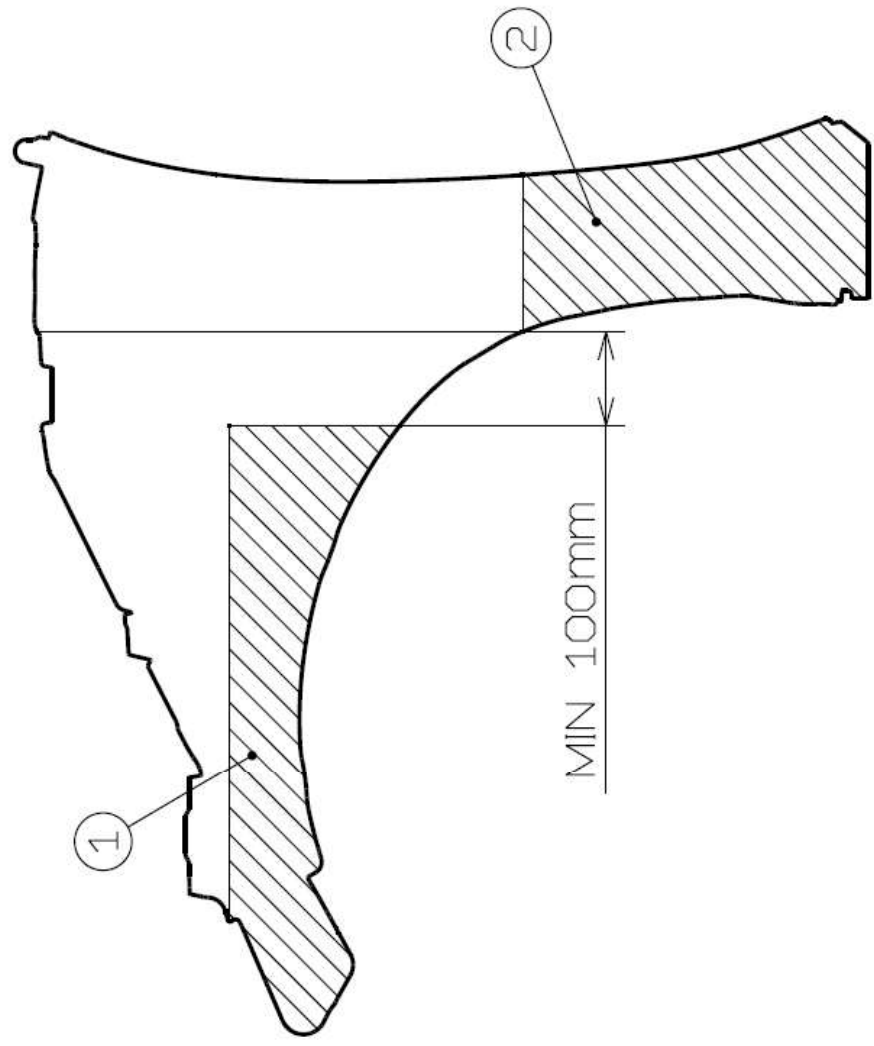
PART:	Transmission (Q910)	
MODEL:	SOLTERRA	DWG. NO.: 23-2-1-A
	TOYOTA MOTOR CORPORATION	

- ① TARGET AREA – PRODUCTION PARTS
- ② TARGET AREA – REPLACEMENT PARTS



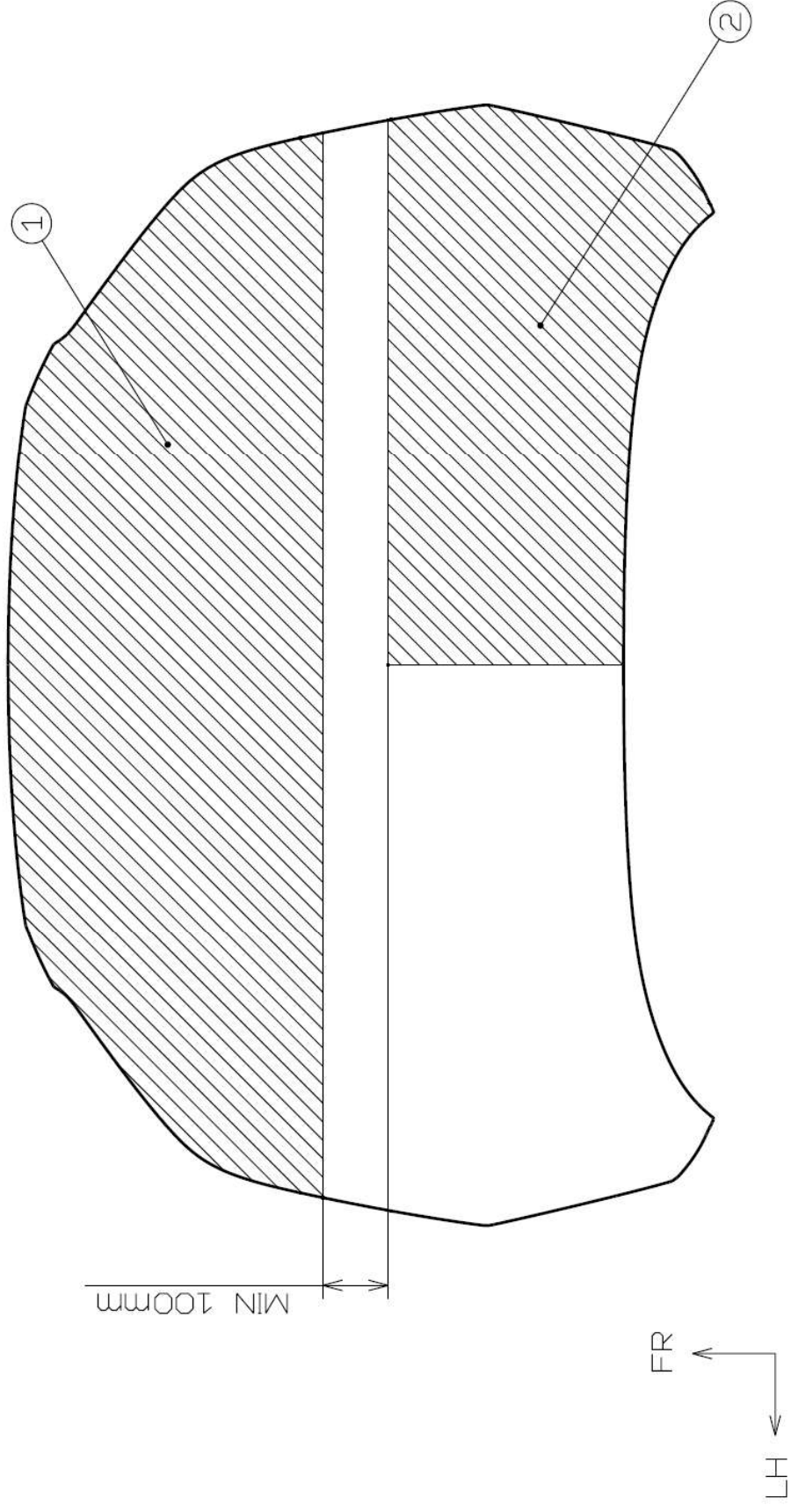
PART:	Transmission (QA10)	
MODEL:	SOLTERRA	DWG. NO.:
		23-2-2-A
TOYOTA MOTOR CORPORATION		

- ① TARGET AREA – PRODUCTION PARTS
- ② TARGET AREA – REPLACEMENT PARTS



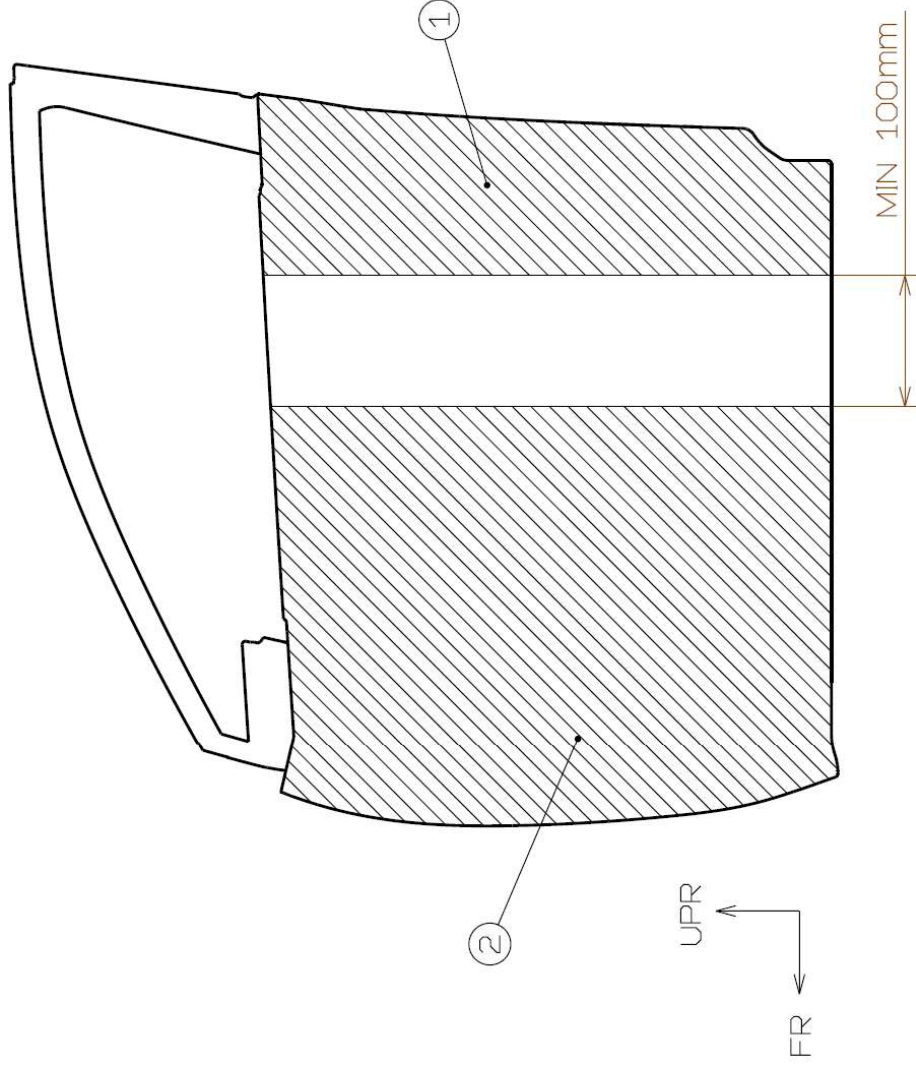
PART:	Front Fender	
MODEL:	SOLTERRA	DWG. NO.: 23-3-1-A
TOYOTA MOTOR CORPORATION		

- ① TARGET AREA – PRODUCTION PARTS
- ② TARGET AREA – REPLACEMENT PARTS



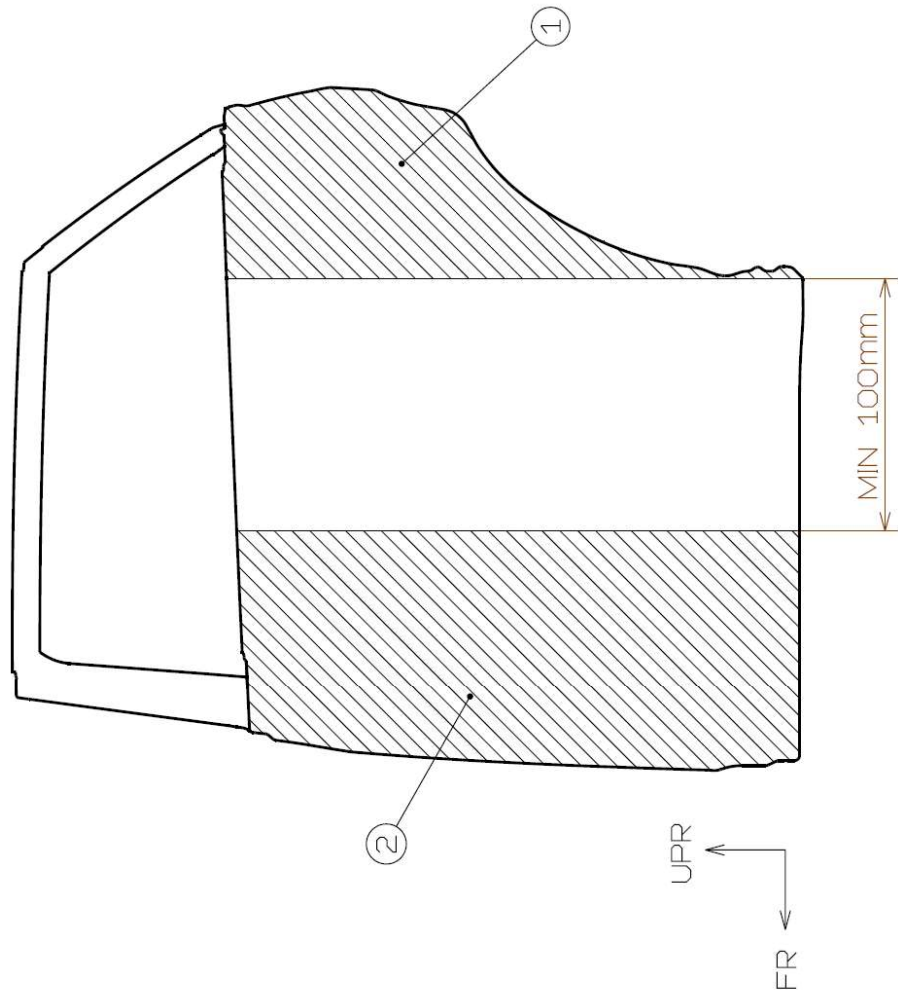
PART:	Hood	
MODEL:	SOLTERRA	DWG. NO.: 23-5-1-A
TOYOTA MOTOR CORPORATION		

- ① TARGET AREA – PRODUCTION PARTS
- ② TARGET AREA – REPLACEMENT PARTS



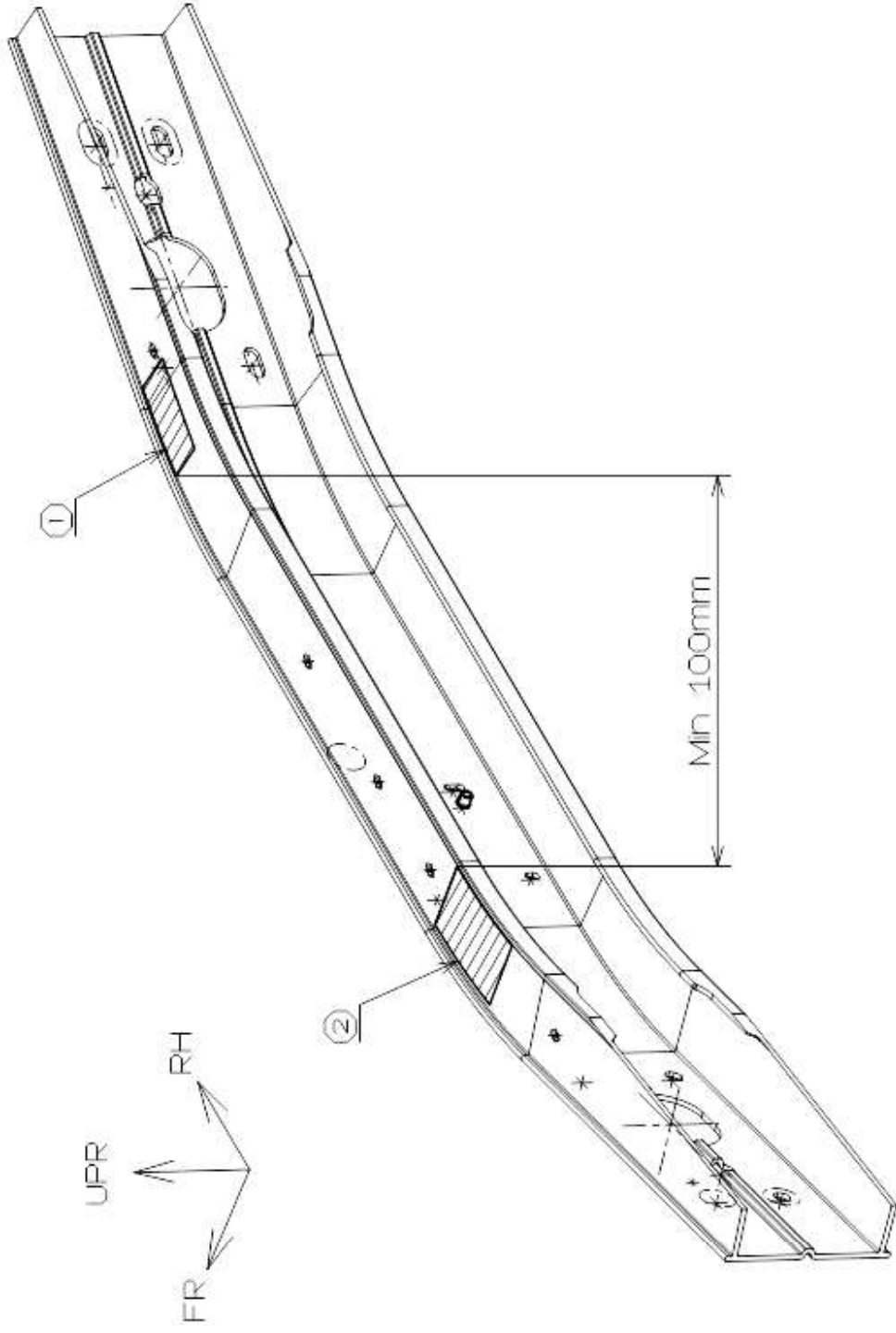
PART:	Front Door
MODEL:	SOLTERRA
DWG. NO.:	23-6-1-A
TOYOTA MOTOR CORPORATION	

- ① TARGET AREA – PRODUCTION PARTS
- ② TARGET AREA – REPLACEMENT PARTS



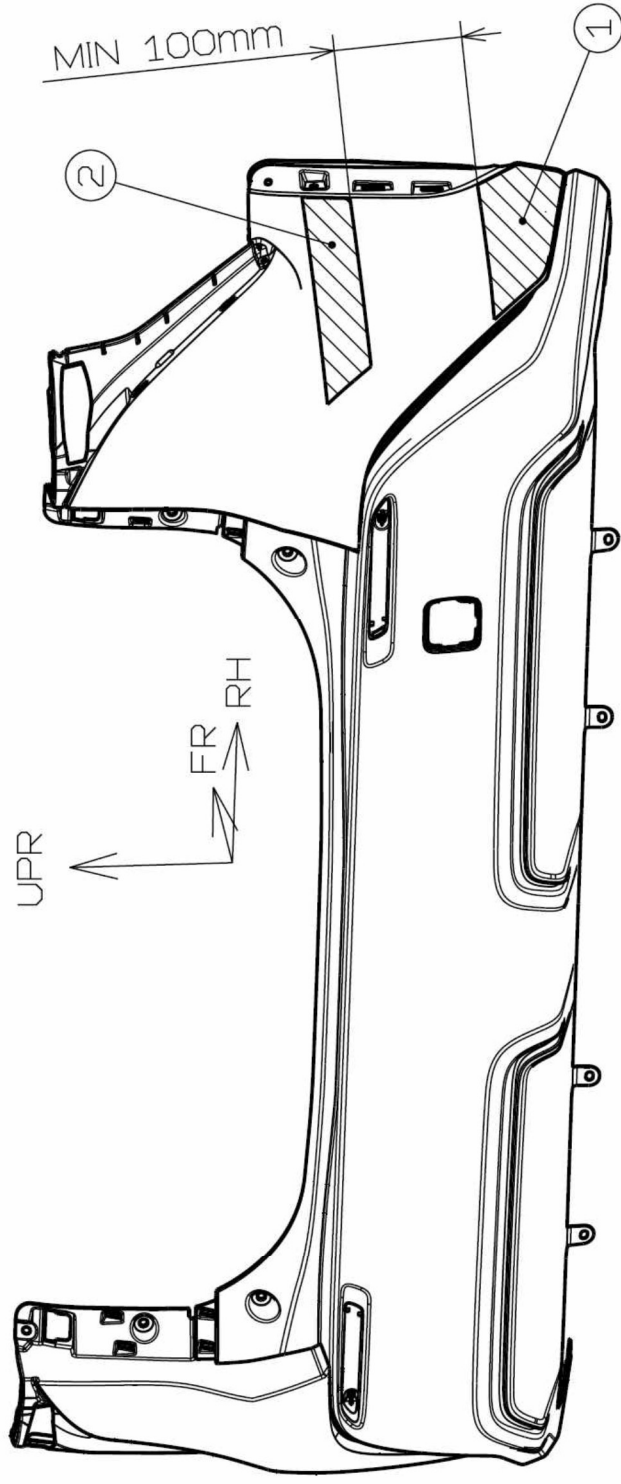
PART:	Rear Door	
MODEL:	SOLTERRA	DWG. NO.: 23-8-1-A
TOYOTA MOTOR CORPORATION		

- ① TARGET AREA – PRODUCTION PARTS
- ② TARGET AREA – REPLACEMENT PARTS



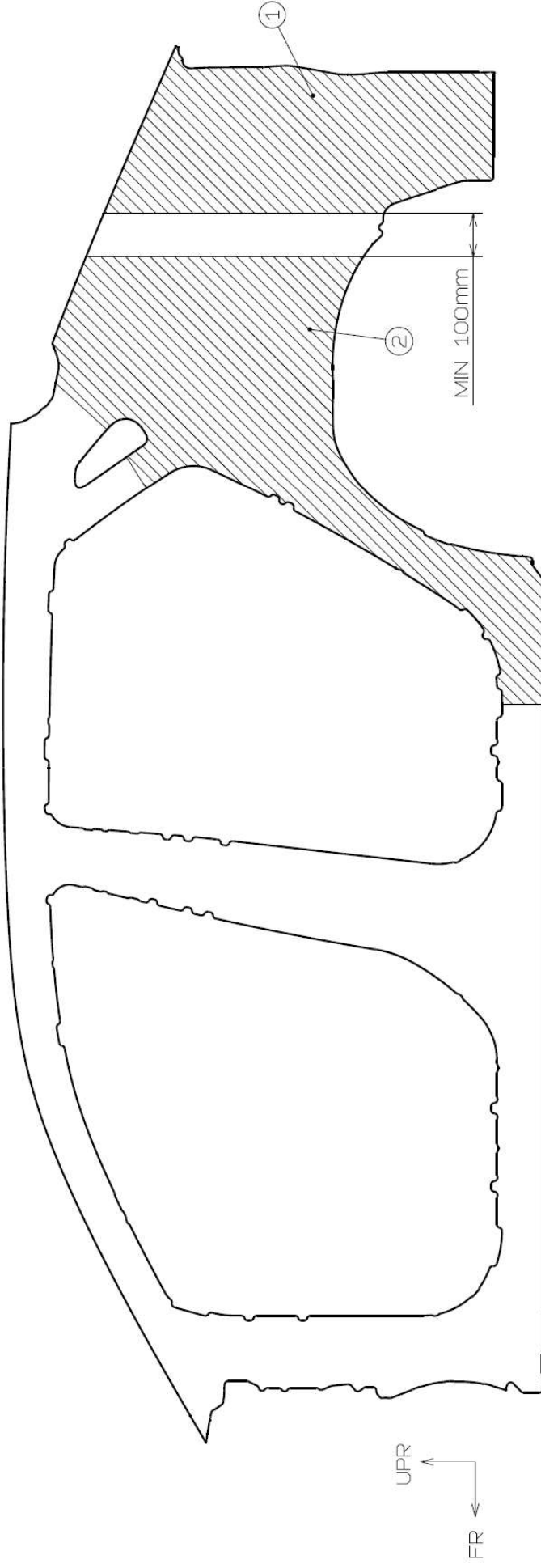
PART:	Front Bumper	
MODEL:	SOLTERRA	DWG. NO.: 23-11-1-A
	TOYOTA MOTOR CORPORATION	

- ① TARGET AREA – PRODUCTION PARTS
- ② TARGET AREA – REPLACEMENT PARTS



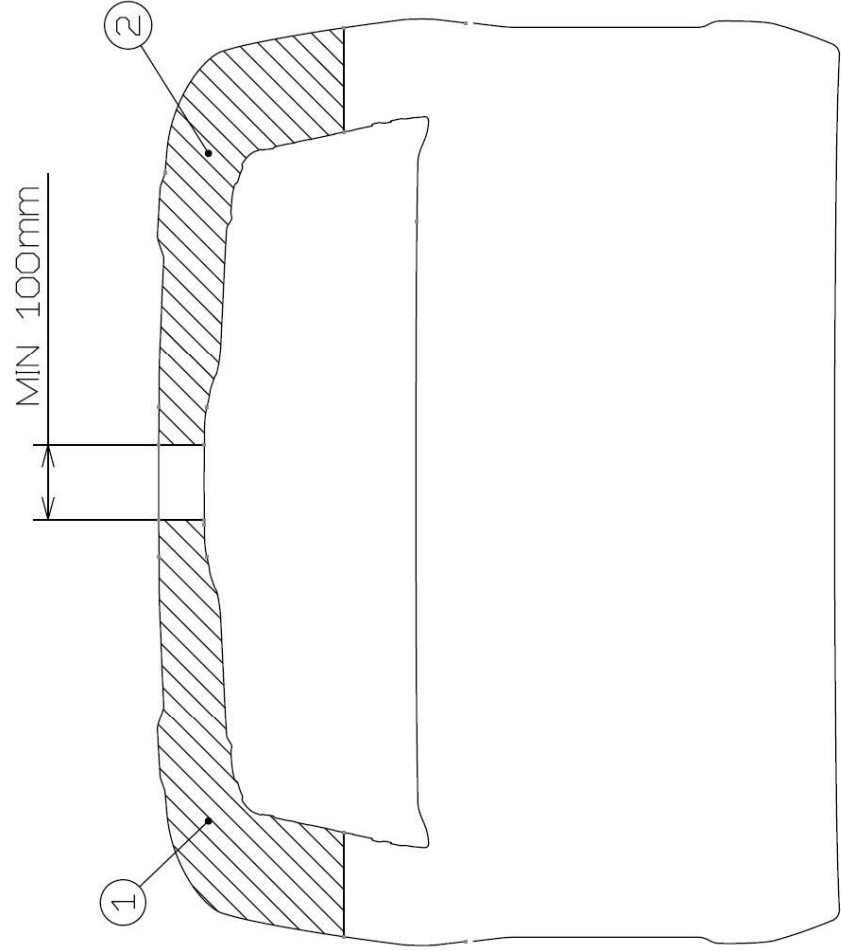
PART:	Rear Bumper	
MODEL:	SOLTERRA	DWG. NO.: 23-12-1-A
	TOYOTA MOTOR CORPORATION	

- ① TARGET AREA – PRODUCTION PARTS
- ② TARGET AREA – REPLACEMENT PARTS



PART:	Rear Quarter Panel	
MODEL:	SOLTERRA	DWG. NO.: 23-13-1-A
	TOYOTA MOTOR CORPORATION	

- ① TARGET AREA – PRODUCTION PARTS
- ② TARGET AREA – REPLACEMENT PARTS



PART:	Back Door	
MODEL:	SOLTERRA	DWG. NO.: 23-18-1-A
	TOYOTA MOTOR CORPORATION	