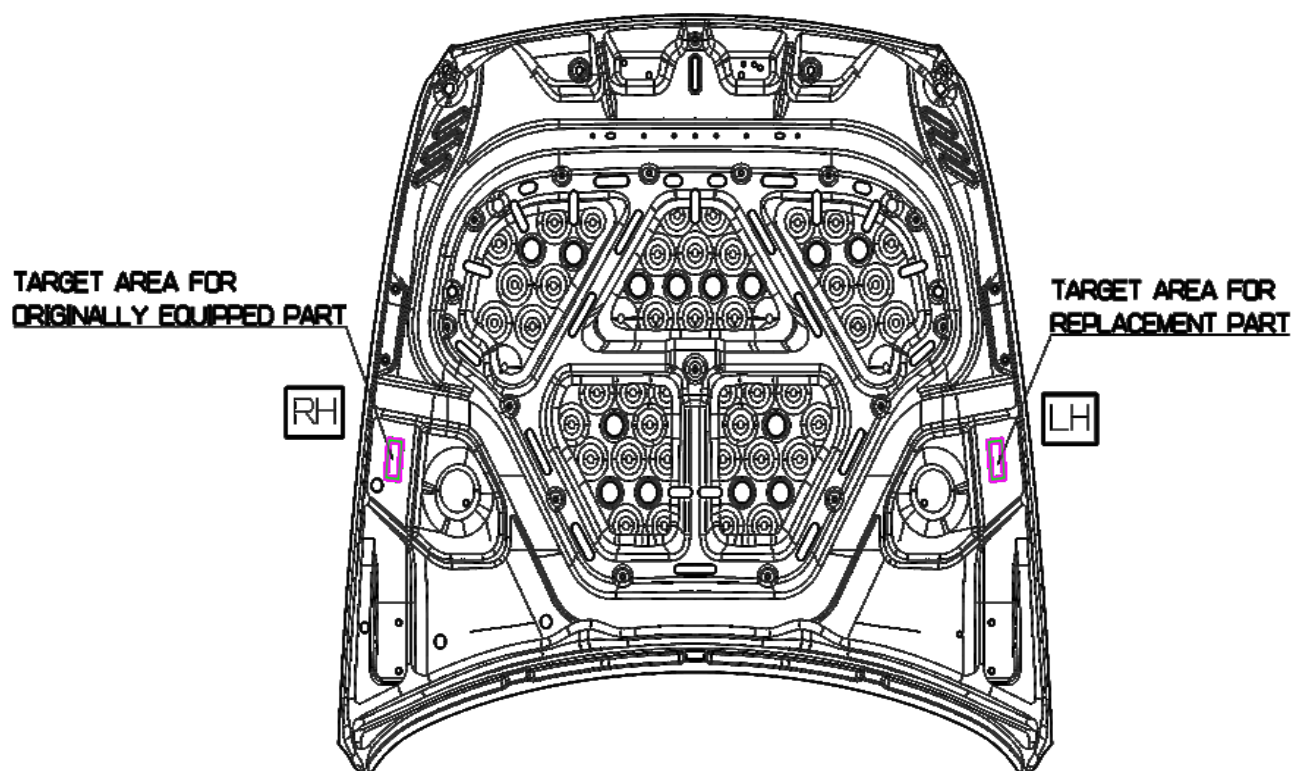


VIN marking area for G80 EV model

1. Hood
2. DeckLid
3. Front Fender (LH/RH)
4. Front Door (LH/RH)
5. Rear Door (LH/RH)
6. Side Outer Panel (LH/RH)
7. Front Bumper
8. Rear Bumper
9. Motor (FR/RR)



Hood



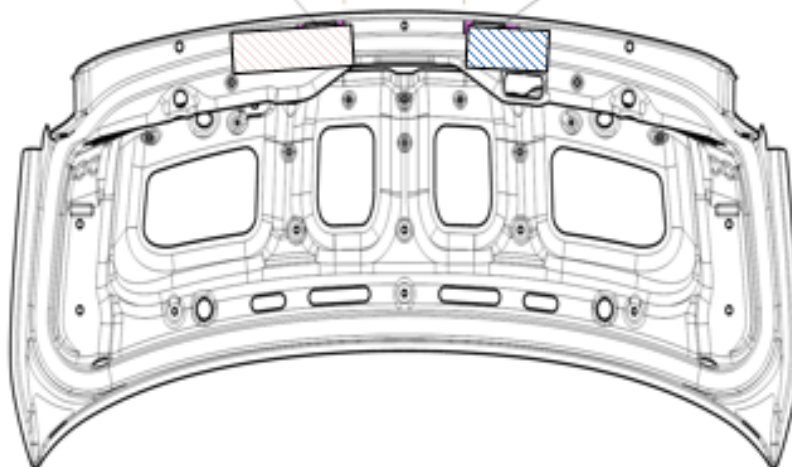
DeckLid

TARGET AREA FOR
ORIGINALLY EQUIPPED PART

MIN. 100

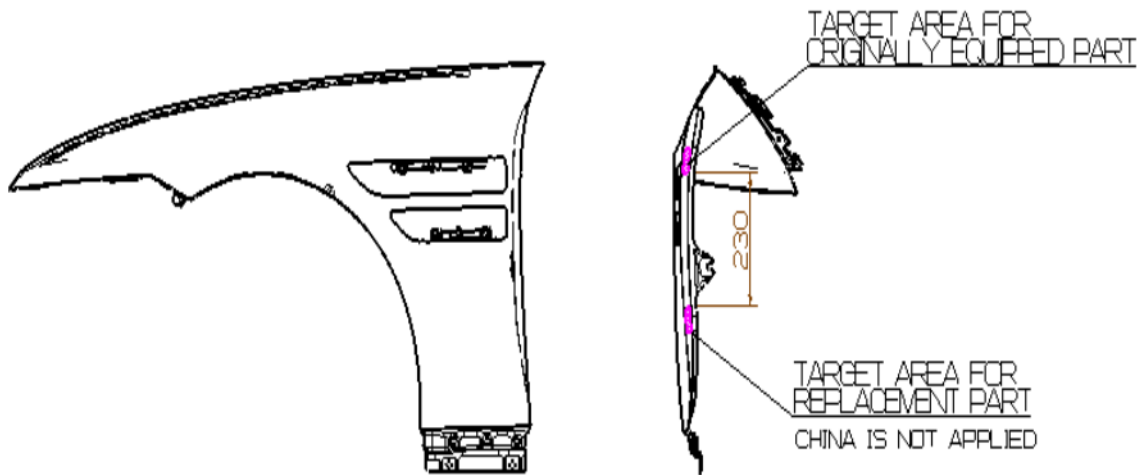
TARGET AREA FOR
REPLACEMENT PART

LH



RH

Front Fender (LH/RH)



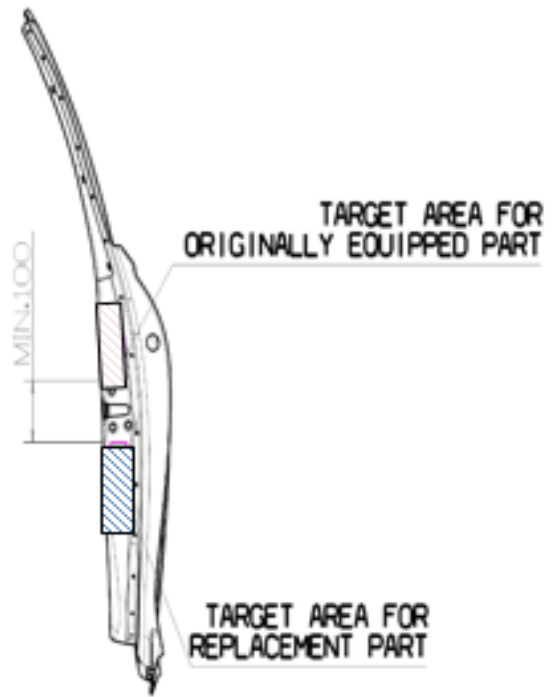
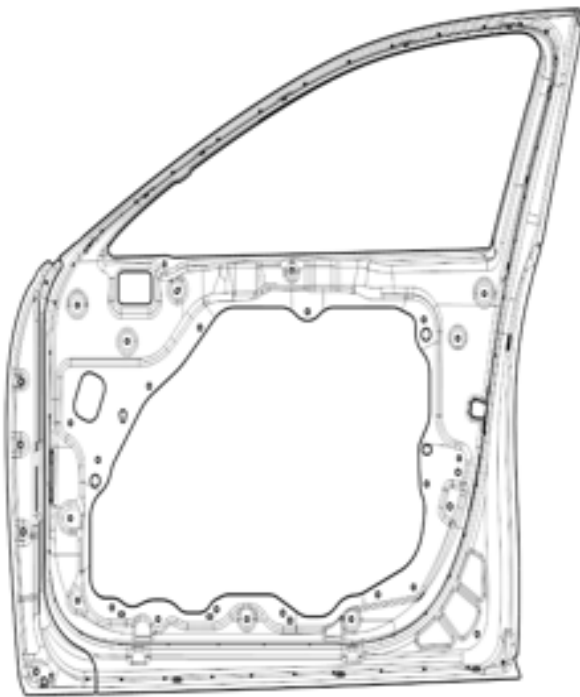
DETAIL Z

PNL ASSY-FENDER

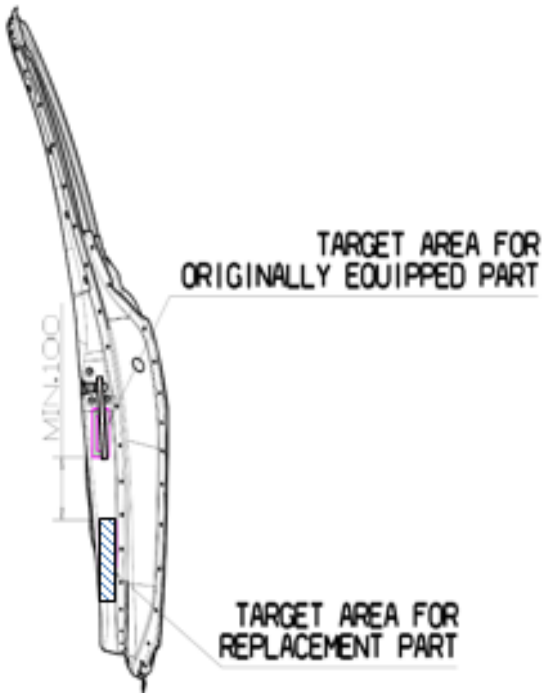
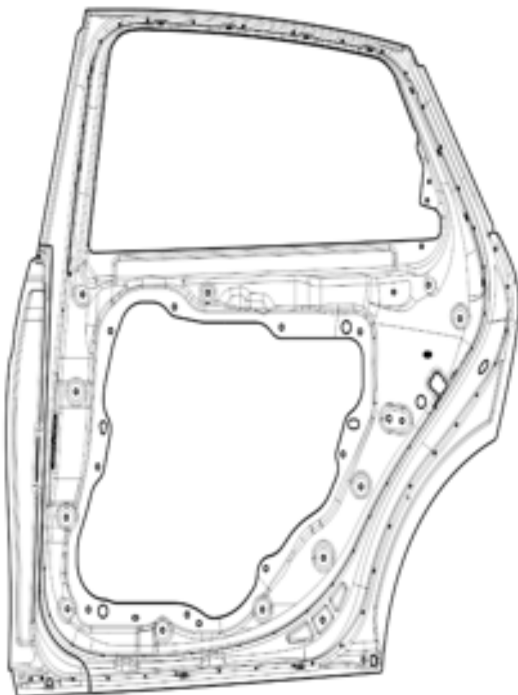
<APPLIED AREA>

- CHINA : PNL ASSY-FENDER, RH
- EXCEPT OF CHINA : PNL ASSY-FENDER, LH/RH

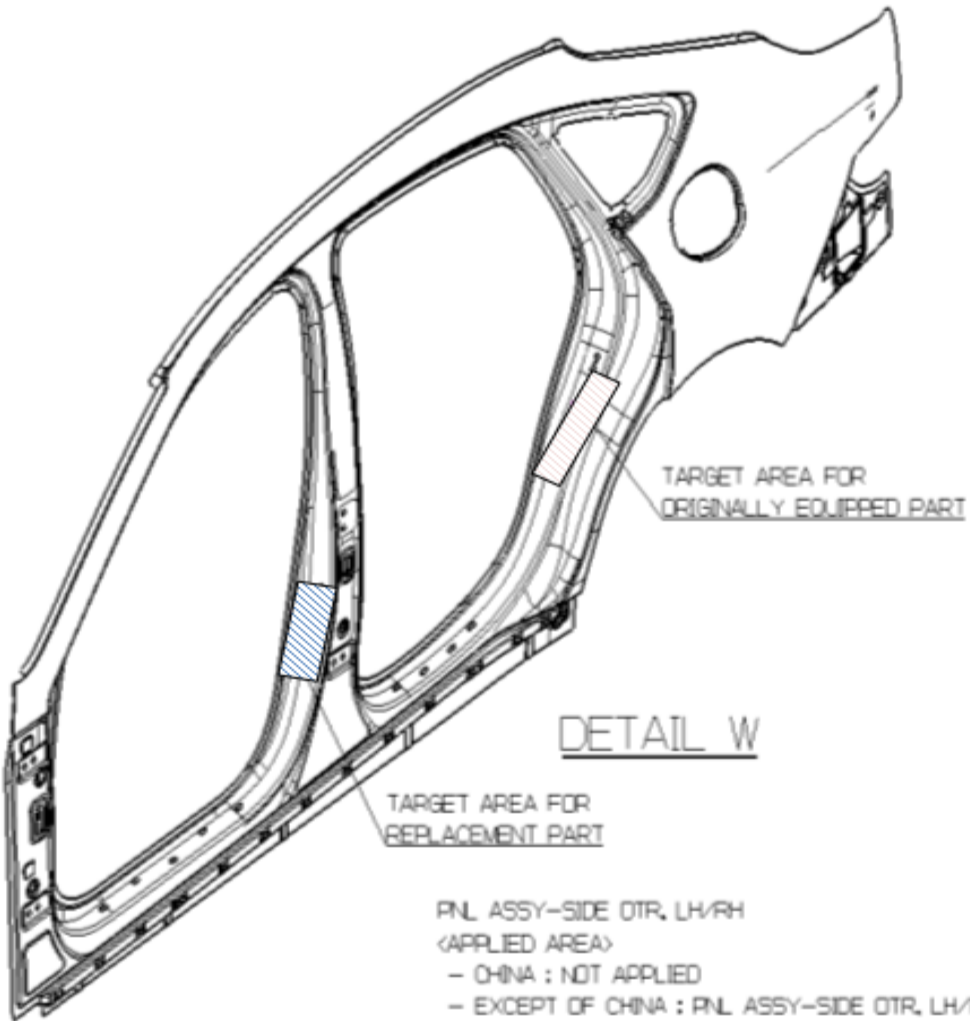
Front Door (LH/RH)



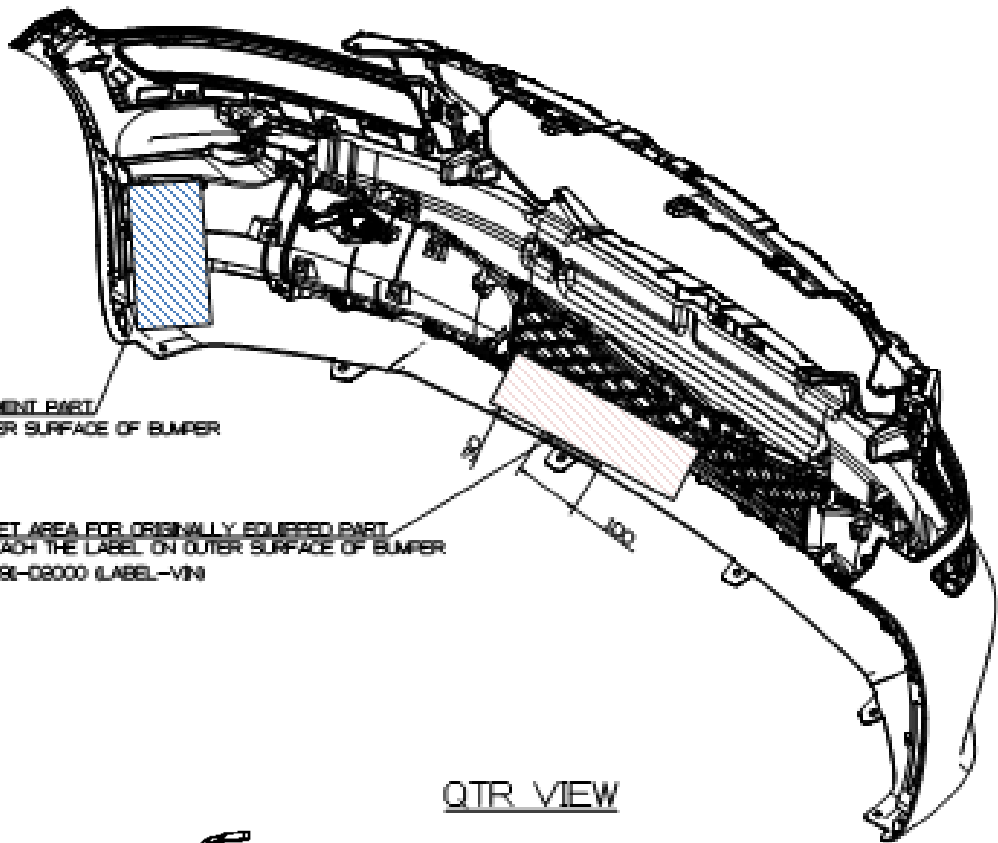
Rear Door (LH/RH)



Side Outer Panel (LH/RH)



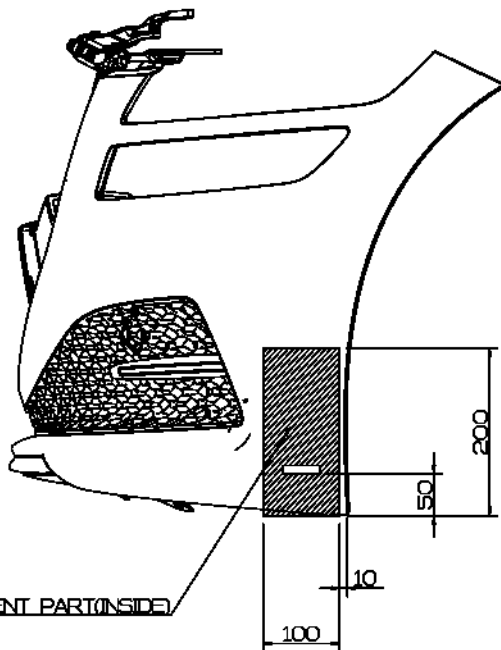
Front Bumper



TARGET AREA FOR REPLACEMENT PART
ATTACH THE LABEL ON INNER SURFACE OF BUMPER

TARGET AREA FOR ORIGINALLY EQUIPPED PART
ATTACH THE LABEL ON OUTER SURFACE OF BUMPER
8981-02000 (LABEL-VIN)

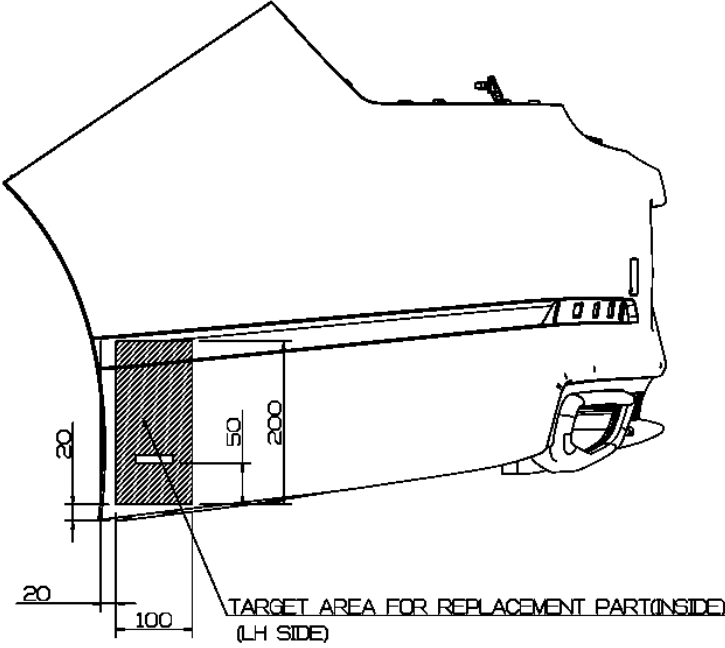
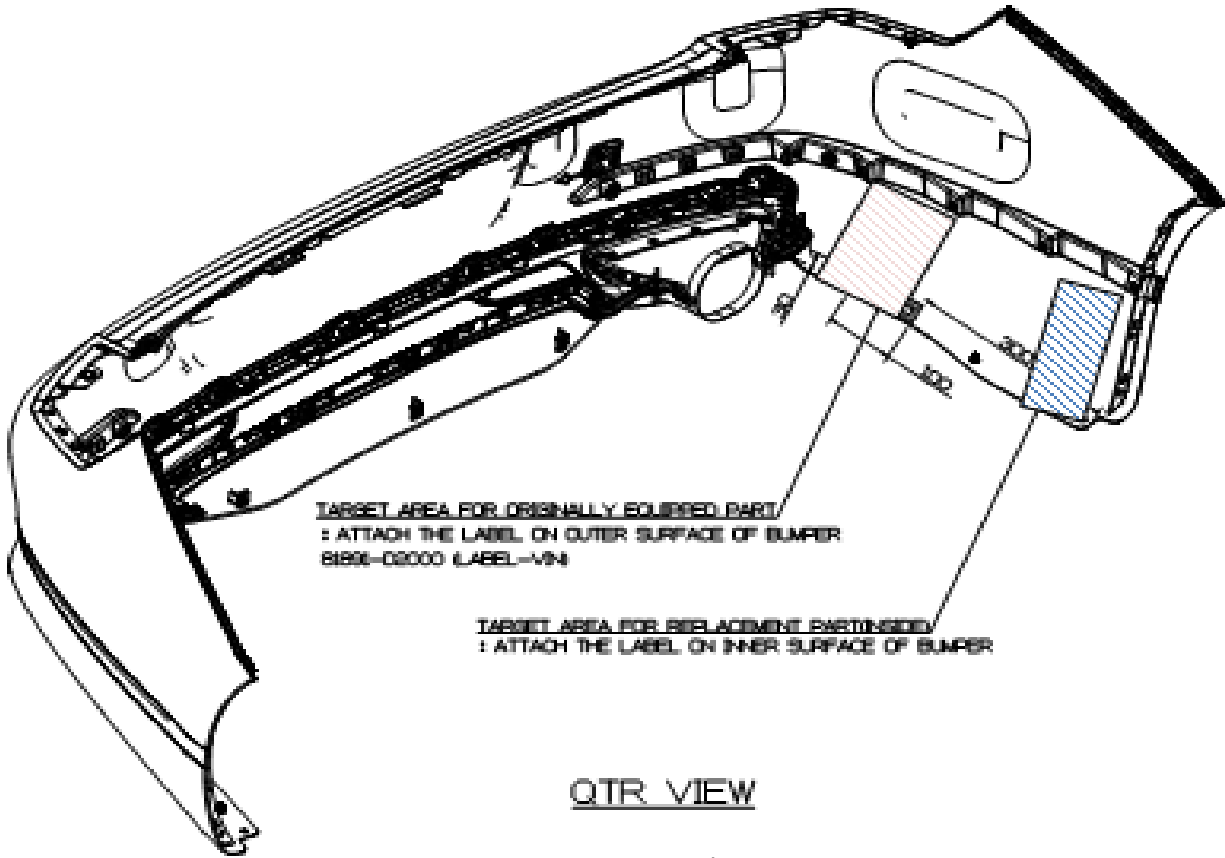
QTR VIEW



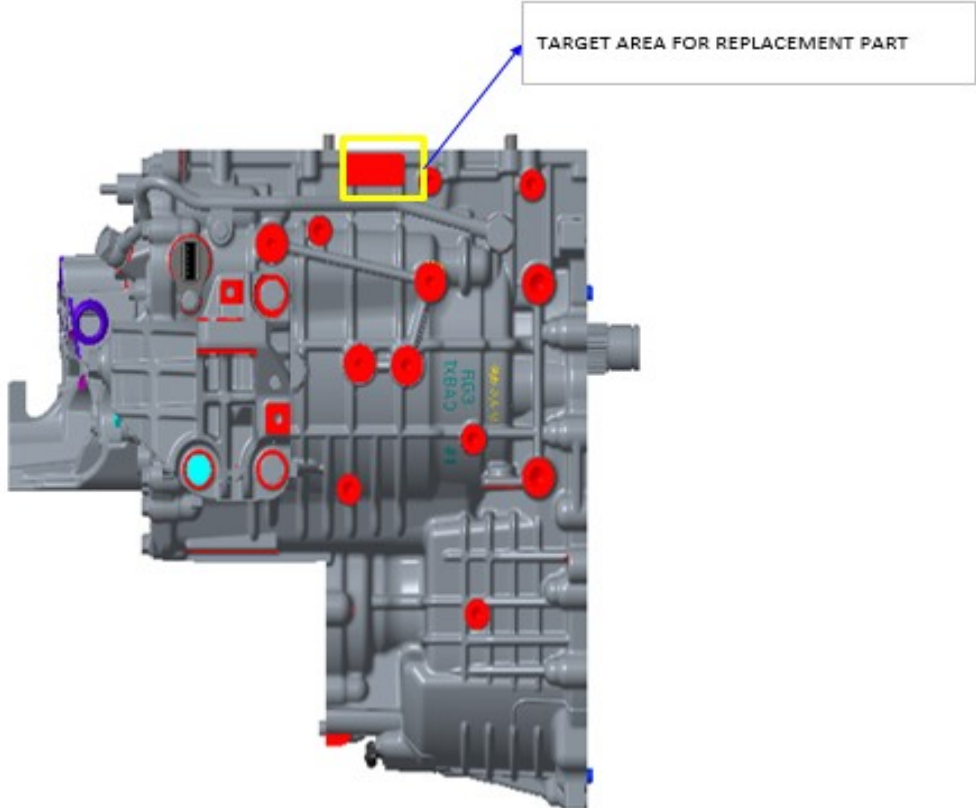
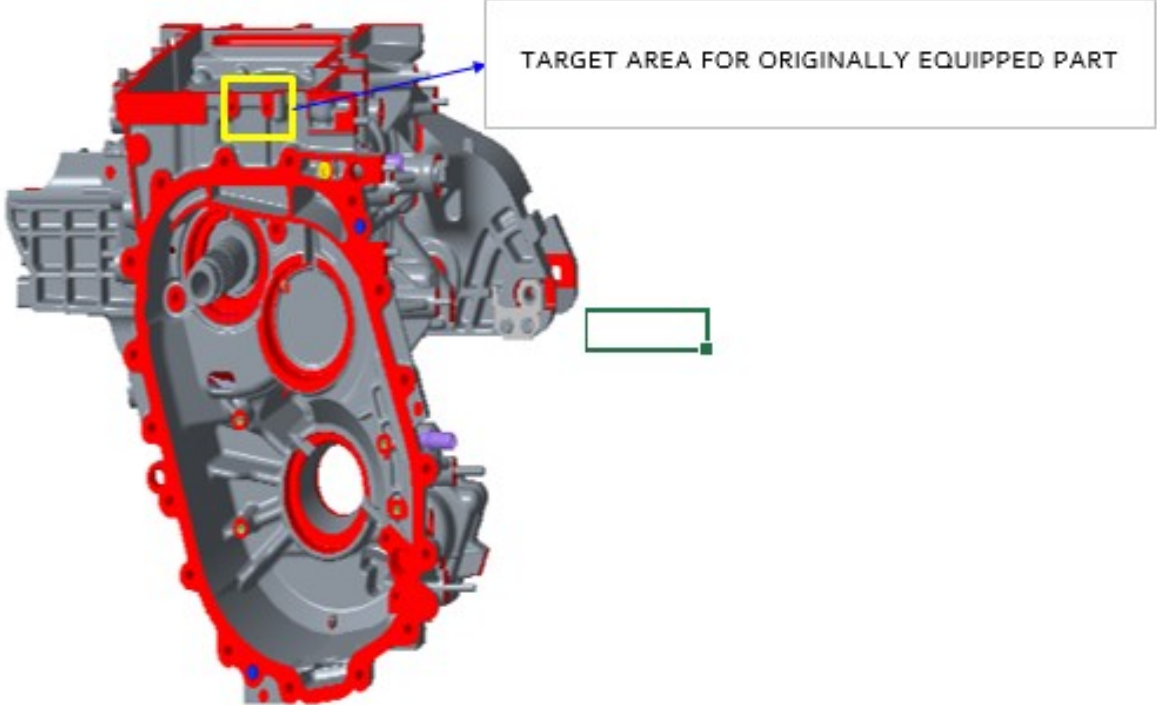
TARGET AREA FOR REPLACEMENT PART (INSIDE)
(LH SIDE)

SIDE VIEW

Rear Bumper



FR Motor (160kW)



RR Motor (160kW)

