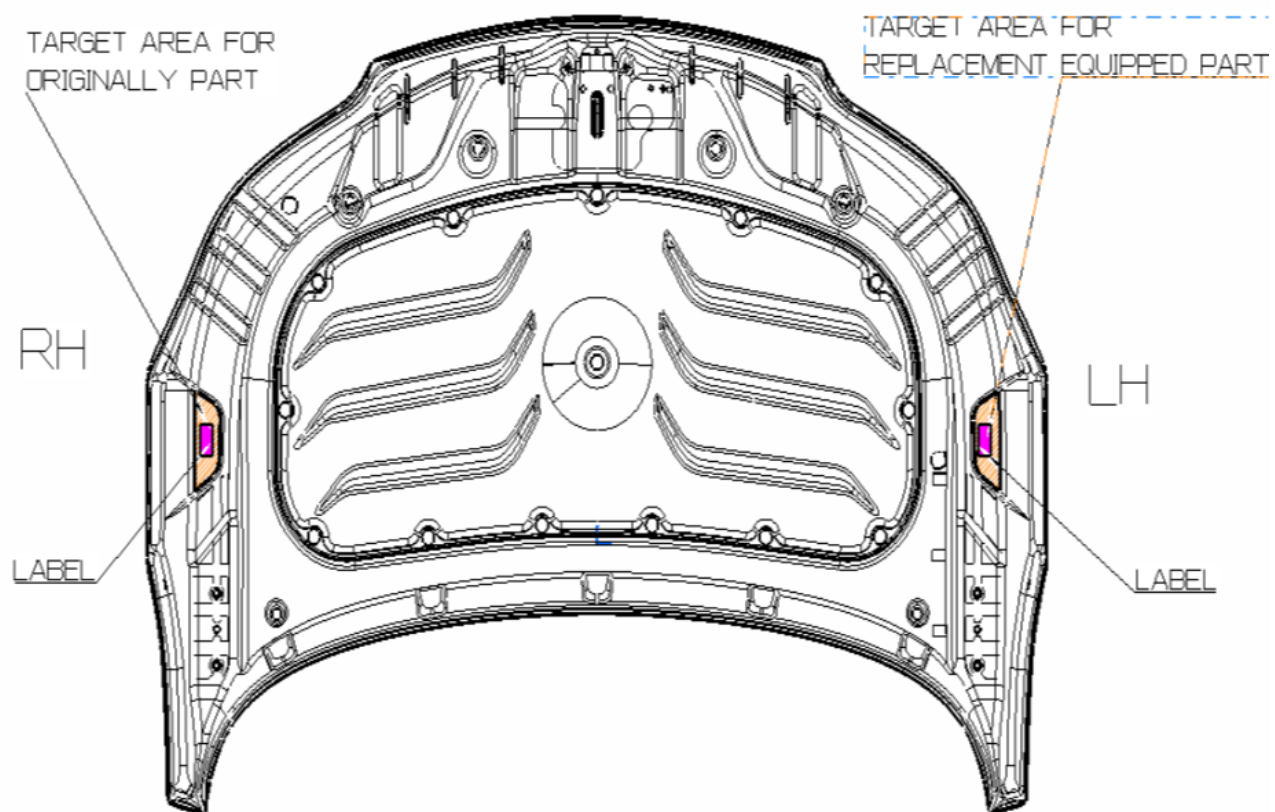


VIN marking area for GV60 EV model

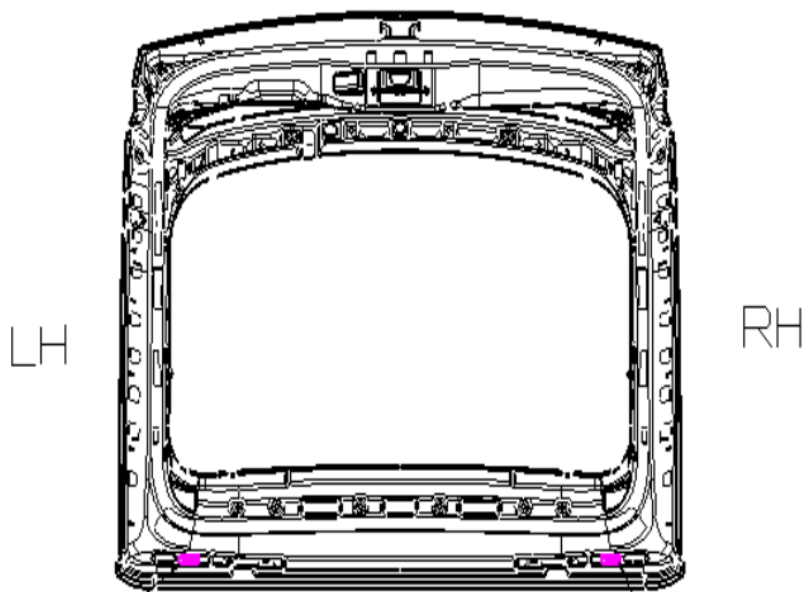
1. Hood
2. Tail Gate
3. Front Fender (LH/RH)
4. Front Door (LH/RH)
5. Rear Door (LH/RH)
6. Side Outer Panel (LH/RH)
7. Front Bumper
8. Rear Bumper
9. Motor & Decelerator (FR/RR)



Hood



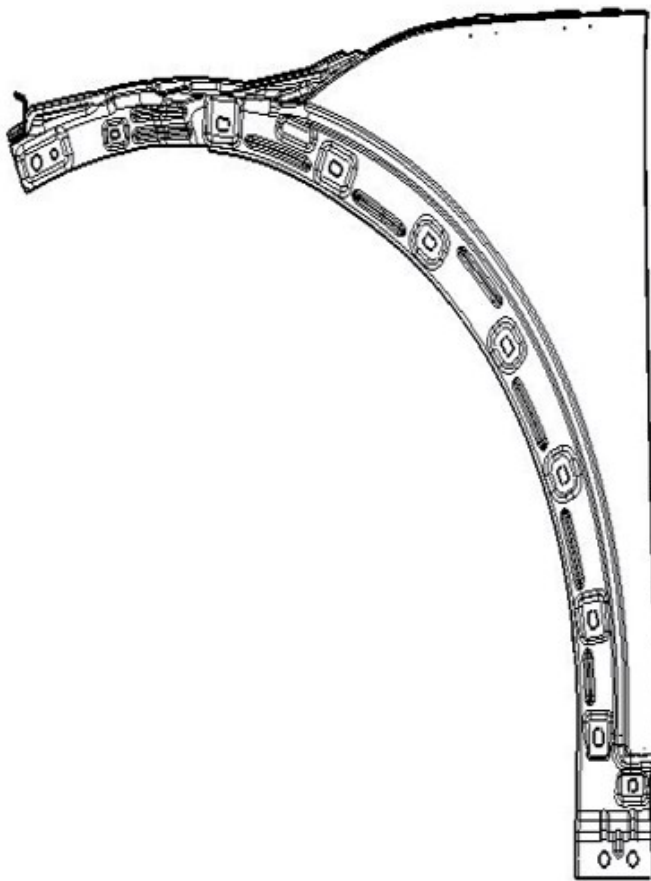
Tail Gate



TARGET AREA FOR
REPLACEMENT PART

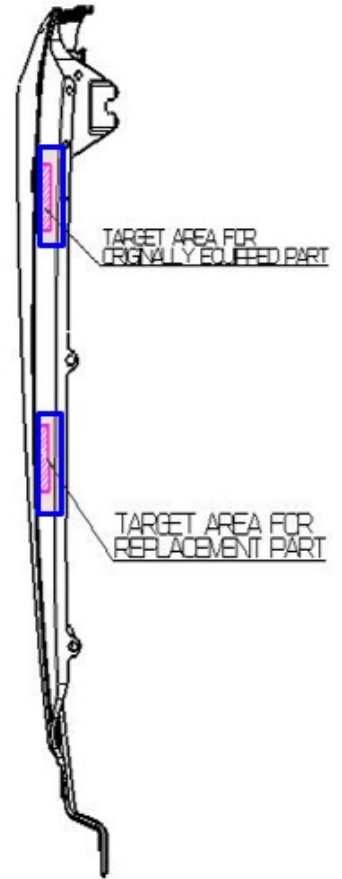
TARGET AREA FOR
ORIGINALLY EQUIPPED PART

Front Fender (LH/RH)



PNL ASSY-FENDER, LH/RH

← "C"

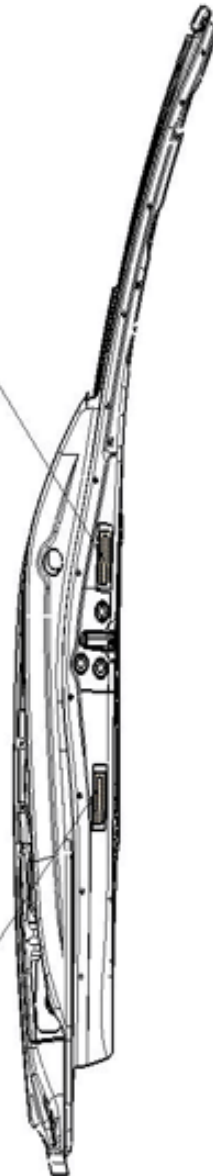


VIEW "C"
(RR VIEW)

Front Door (LH/RH)

TARGET AREA FOR
ORIGINALLY EQUIPPED PART

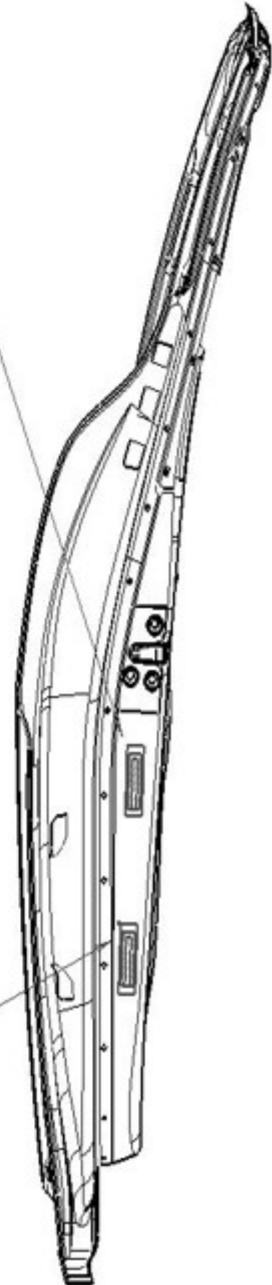
TARGET AREA FOR
REPLACEMENT PART



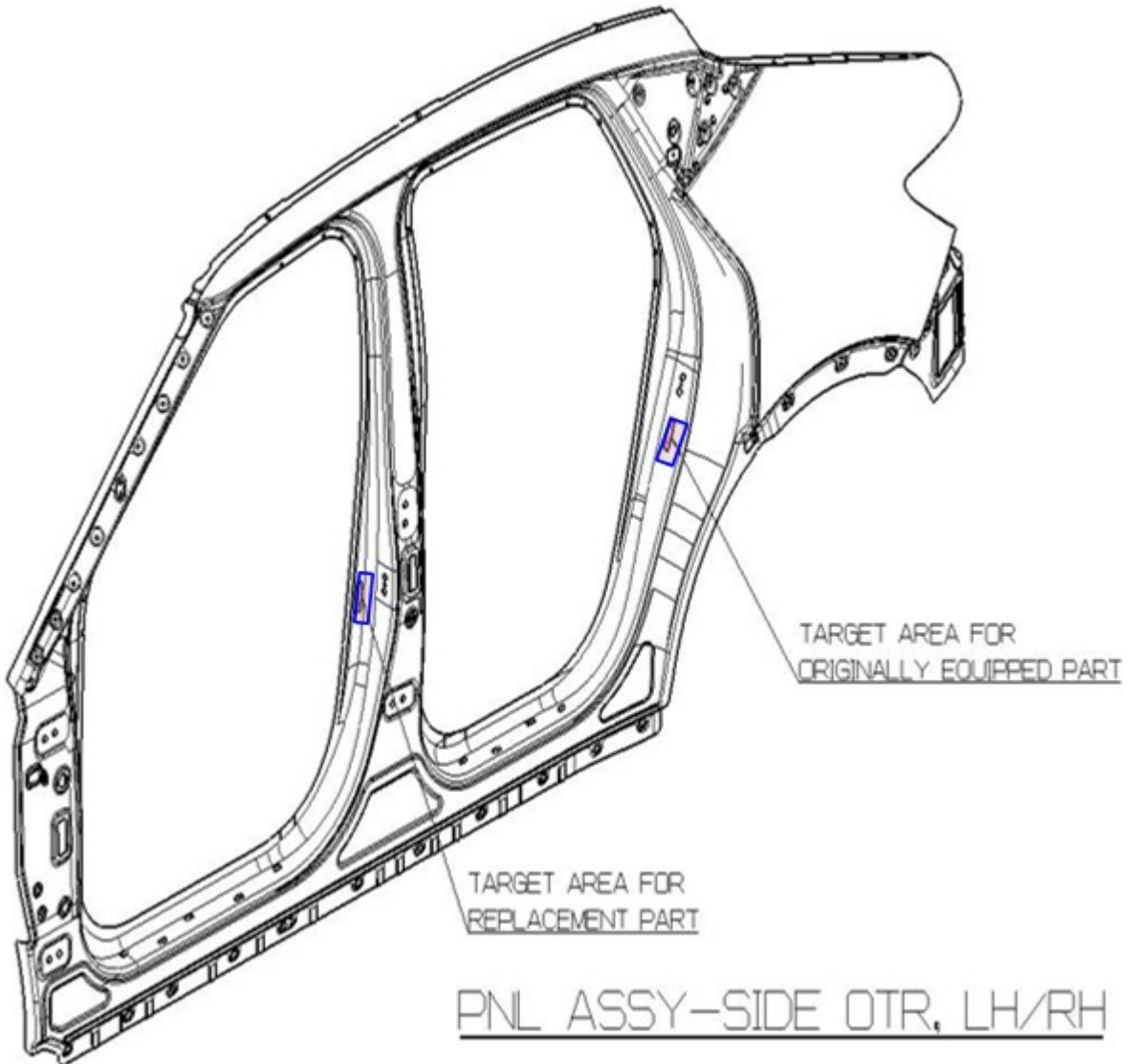
Rear Door (LH/RH)

TARGET AREA FOR
ORIGINALLY EQUIPPED PART

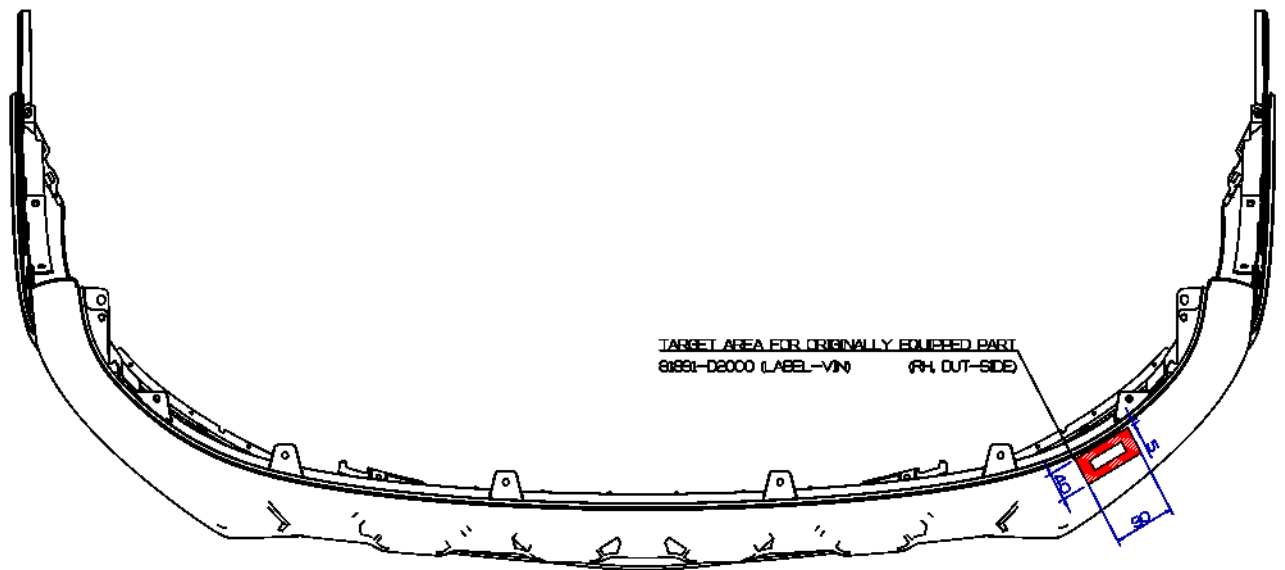
TARGET AREA FOR
REPLACEMENT PART



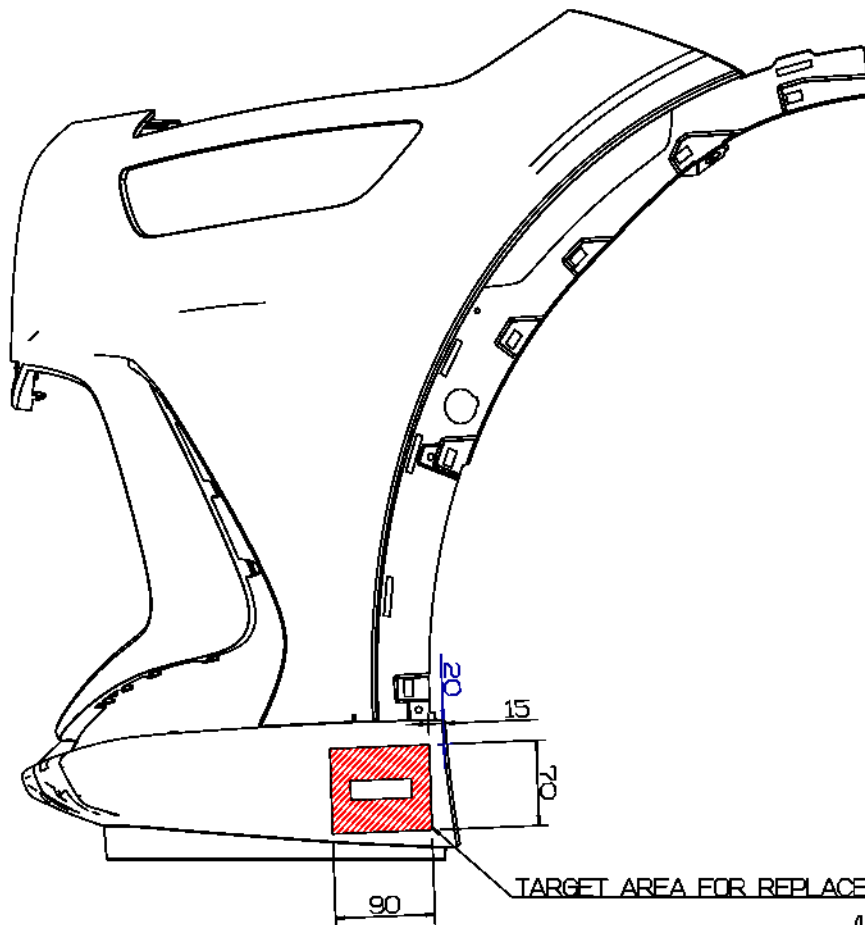
Side Outer Panel (LH/RH)



Front Bumper

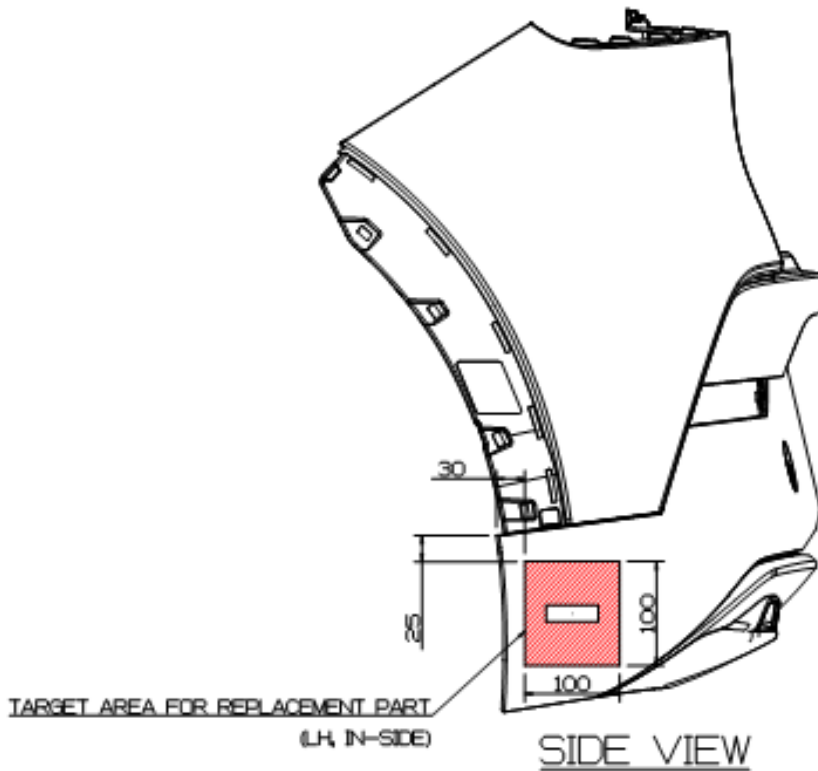
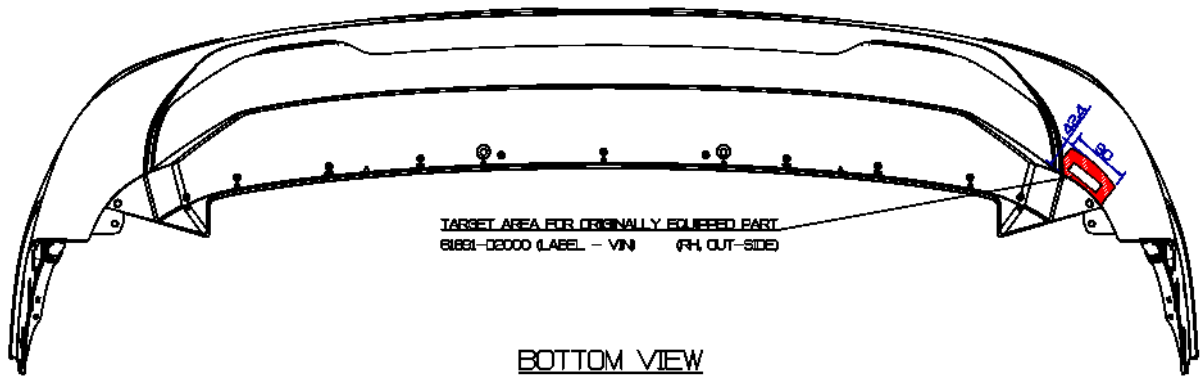


BOTTOM VIEW

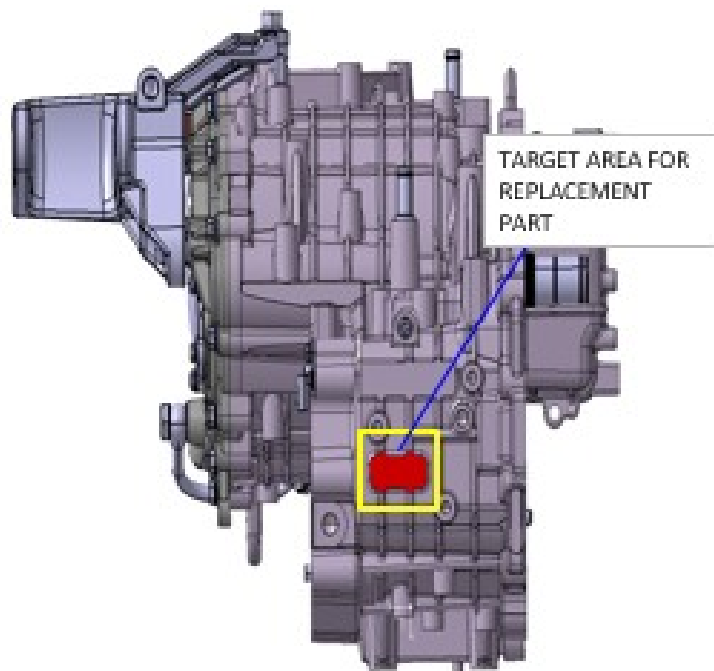
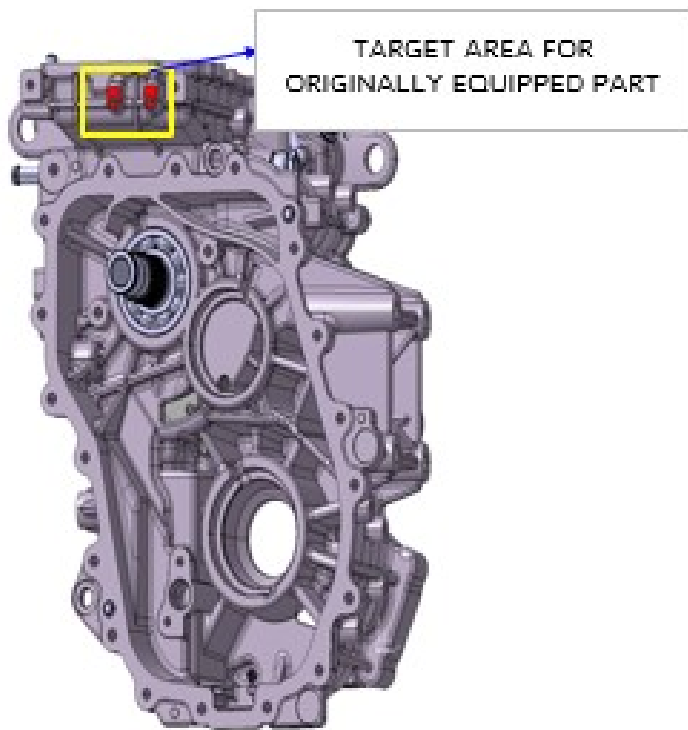


SIDE VIEW

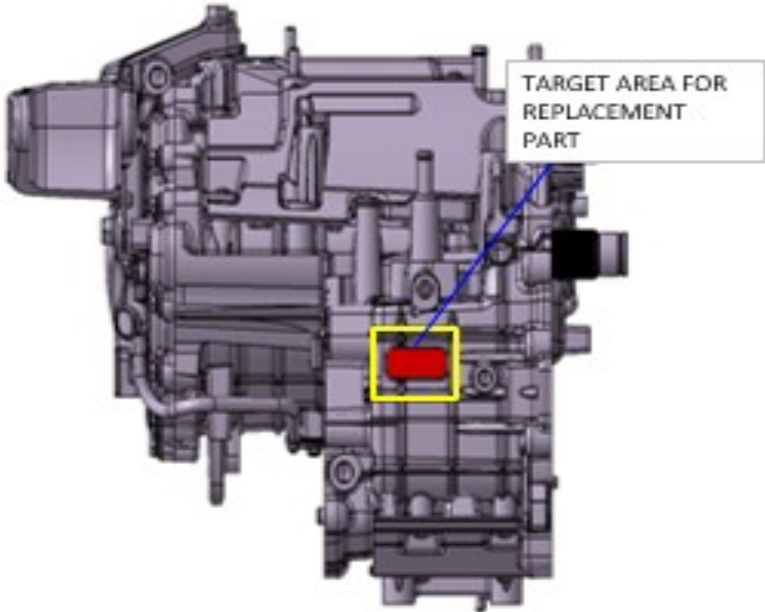
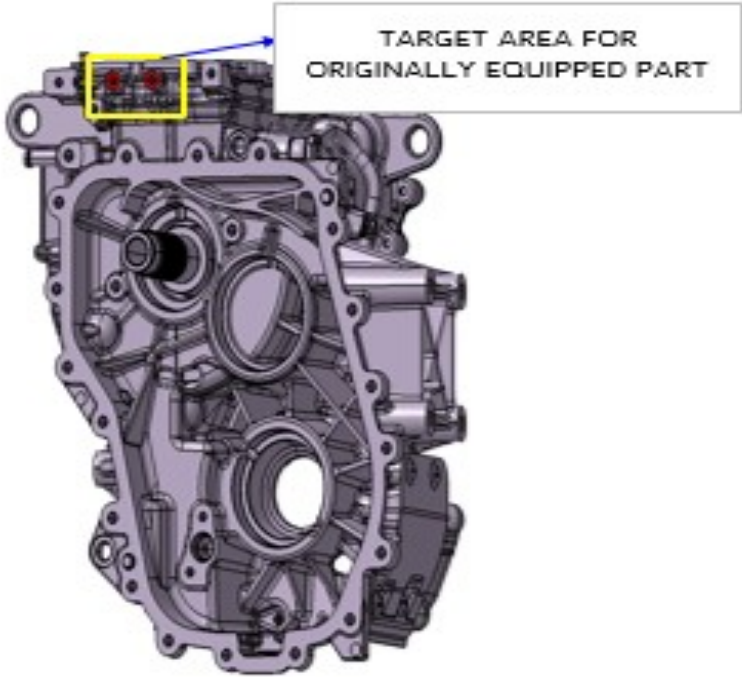
Rear Bumper



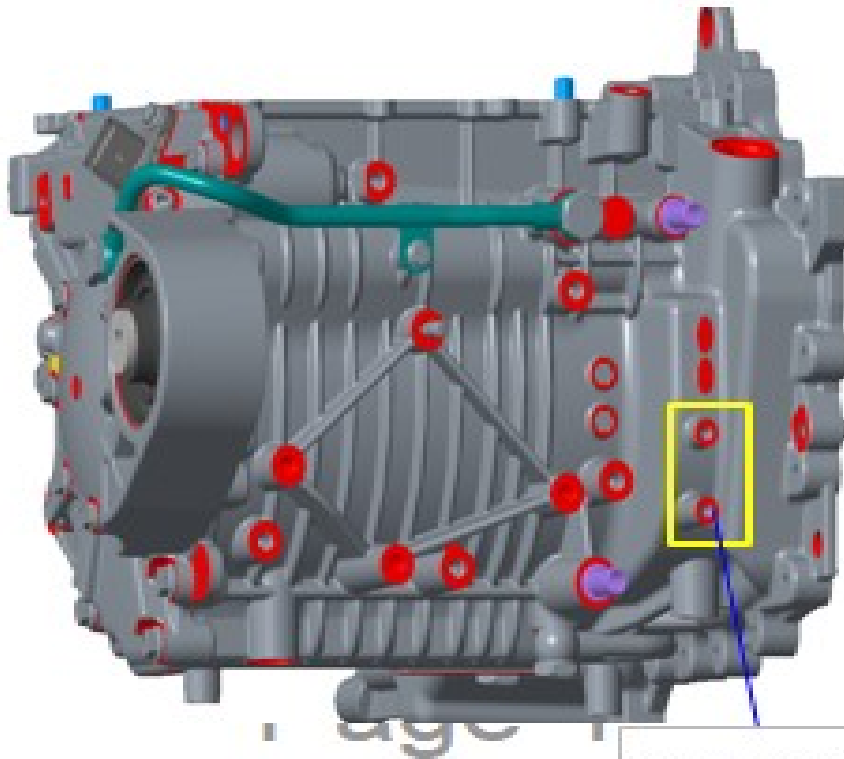
FR Motor (70kW)



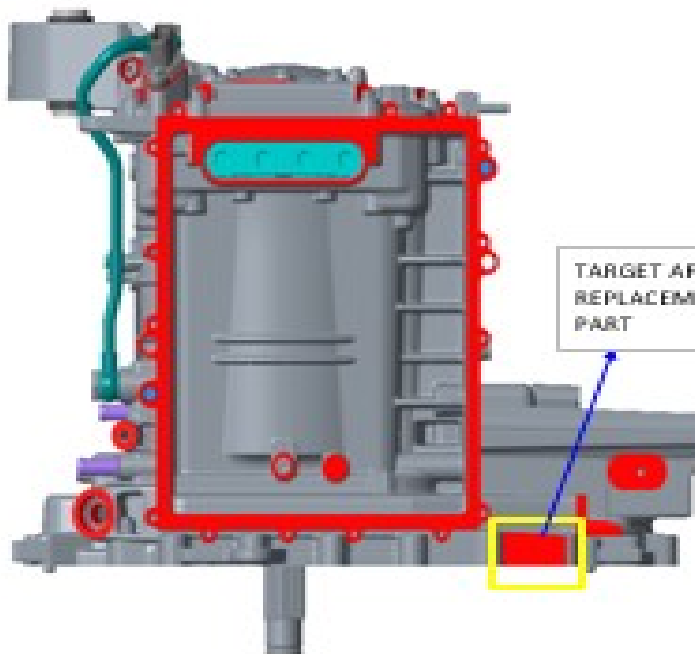
FR Motor (160kW)



RR Motor



TARGET AREA FOR
ORIGINALLY
EQUIPPED PART



TARGET AREA FOR
REPLACEMENT
PART