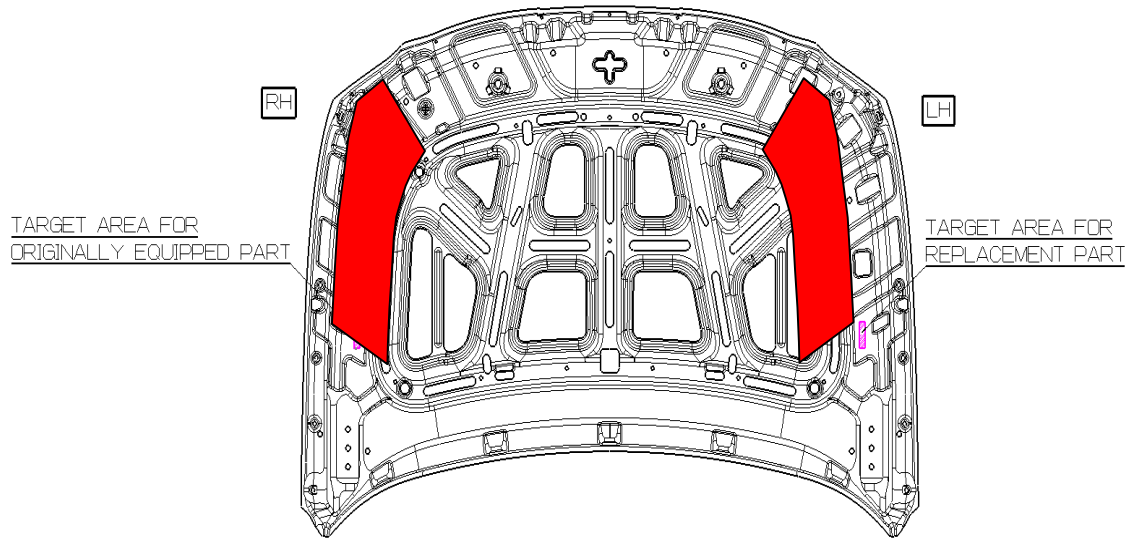


## **VIN marking area for Elantra N model**

1. Hood
2. Trunk Lid
3. Front Fender (LH/RH)
4. Front Door (LH/RH)
5. Rear Door (LH/RH)
6. Side Outer Panel (LH/RH)
7. Front Bumper
8. Rear Bumper
9. Engine
10. Transmission

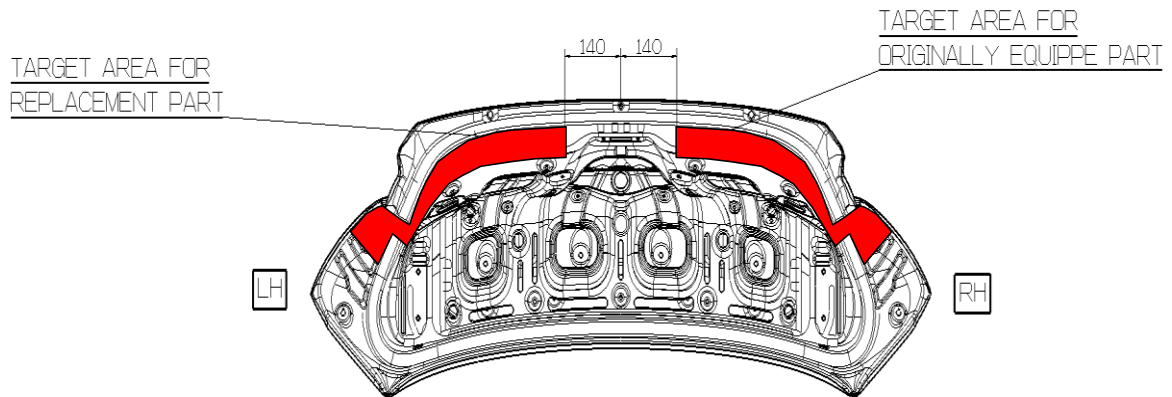


# Hood



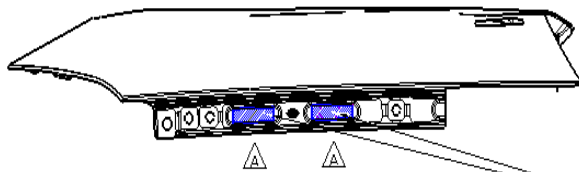
PNL ASSY-HOOD (FOR ULSAN PLANT)  
(SCALE 3/20)

# Trunk Lid



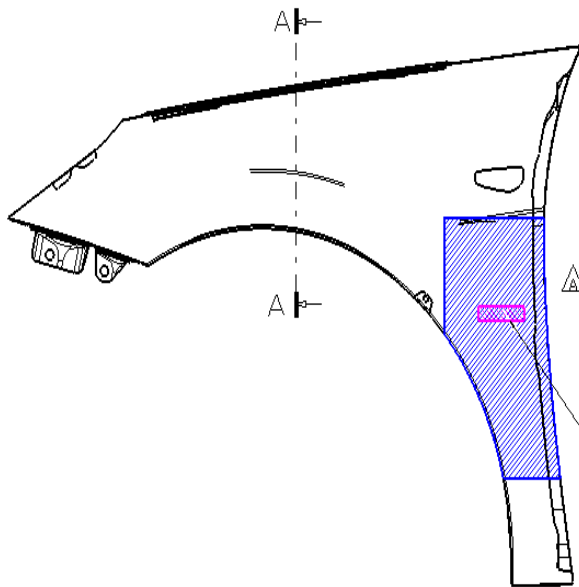
PNL ASSY-TRUNK LID  
(SCALE 3/20)

# Front Fender (LH/RH)



TARGET AREA FOR  
ORIGINALLY EQUIPPED PART

81891-3X000(FOR ULSAN PLANT)  
81891-30000(FOR USA PLANT)

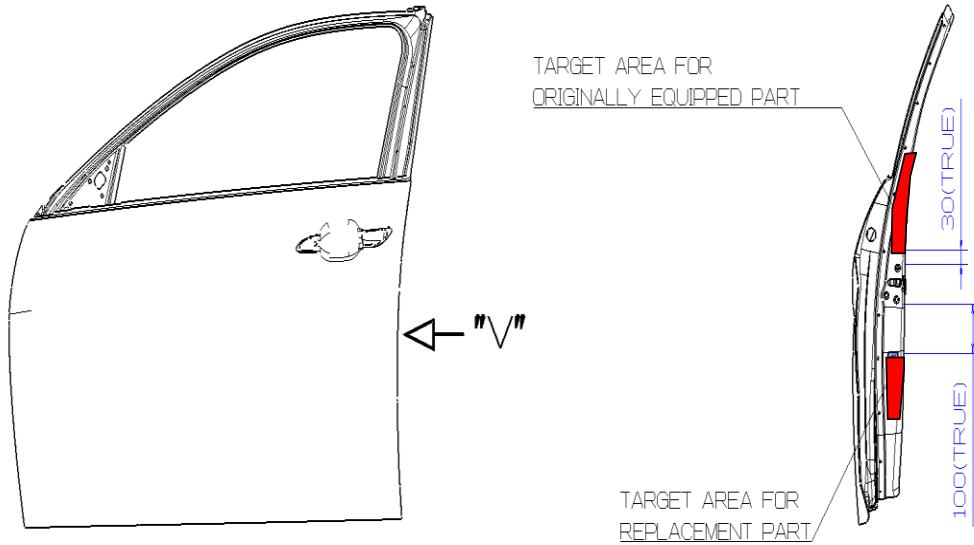


SECTION A-A  
(SCALE 1/5)

TARGET AREA FOR  
REPLACEMENT PART

PNL-FENDER, LH/RH  
(SCALE 1/5)

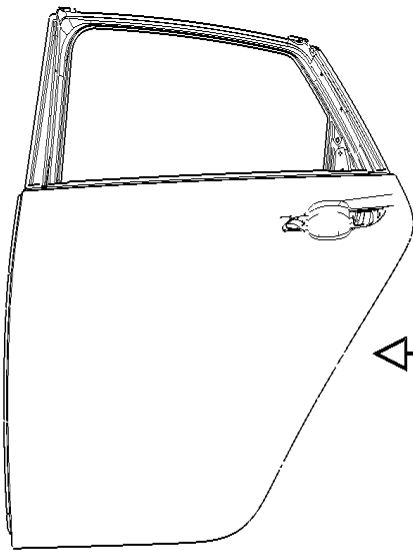
# Front Door (LH/RH)



PNL ASSY-FR DR, LH/RH  
(SCALE 1/10)

DETAIL "V"  
(REAR VIEW)

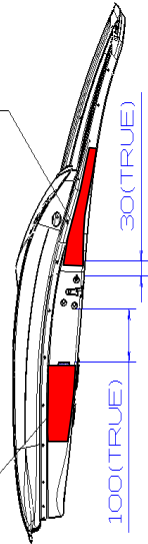
# Rear Door (LH/RH)



← "W"

PNL ASSY-RR DR, LH/RH  
(SCALE 1/10)

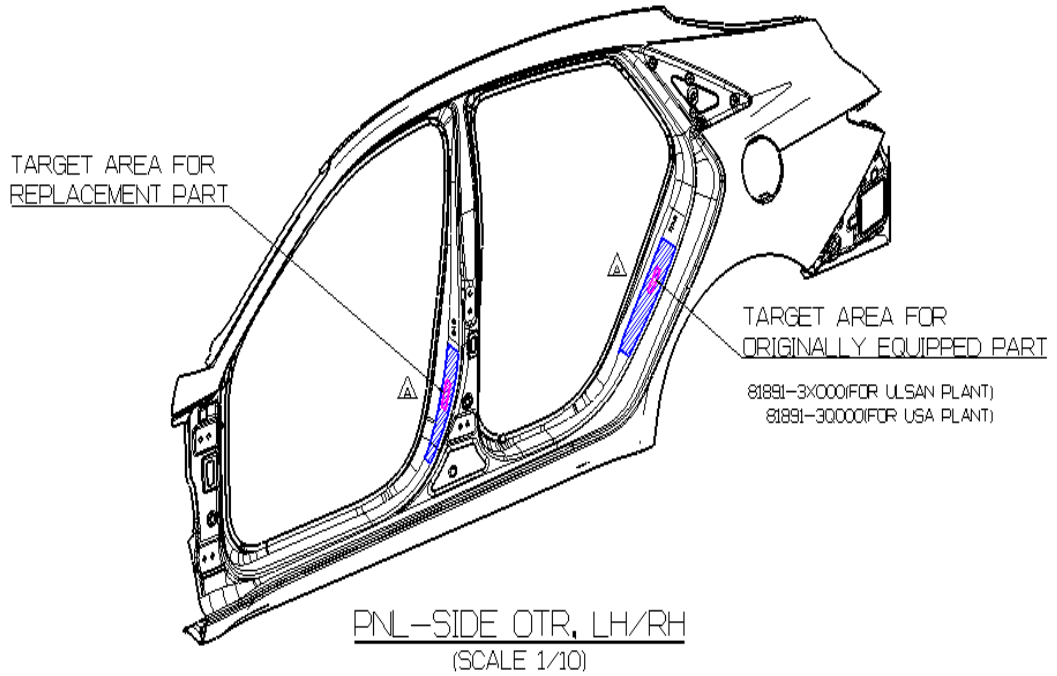
TARGET AREA FOR  
ORIGINALLY EQUIPPED PART



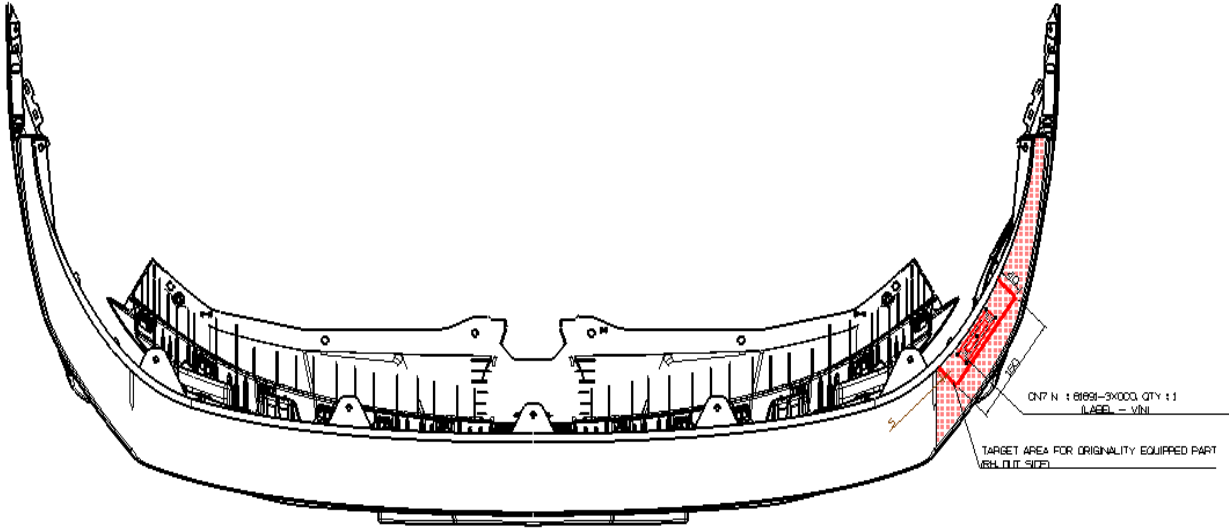
TARGET AREA FOR  
REPLACEMENT PART

DETAIL "W"  
(REAR VIEW)

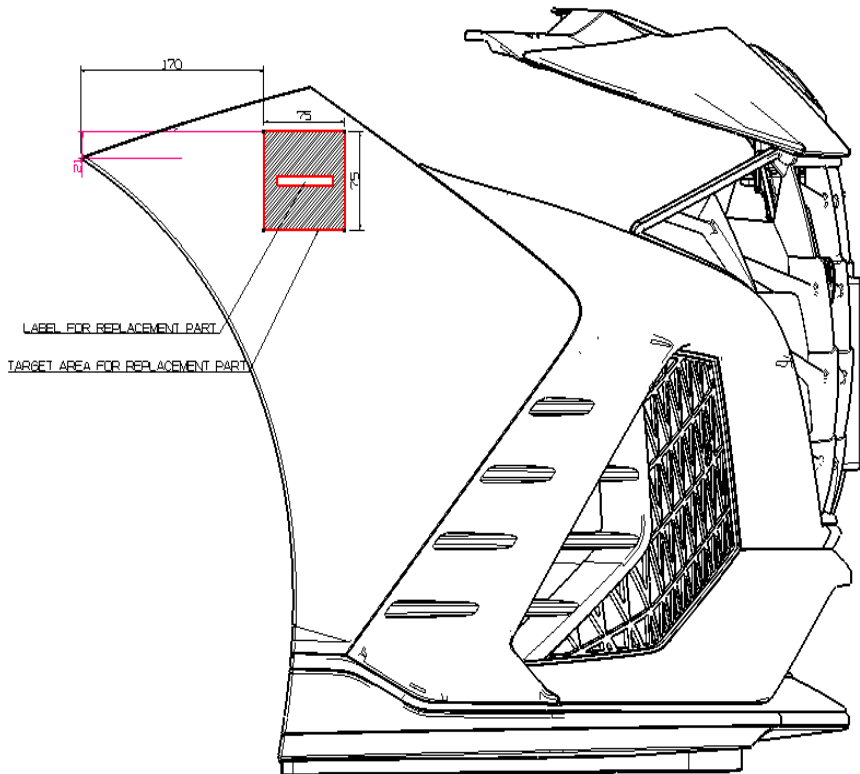
# Side Outer Panel (LH/RH)



# Front Bumper

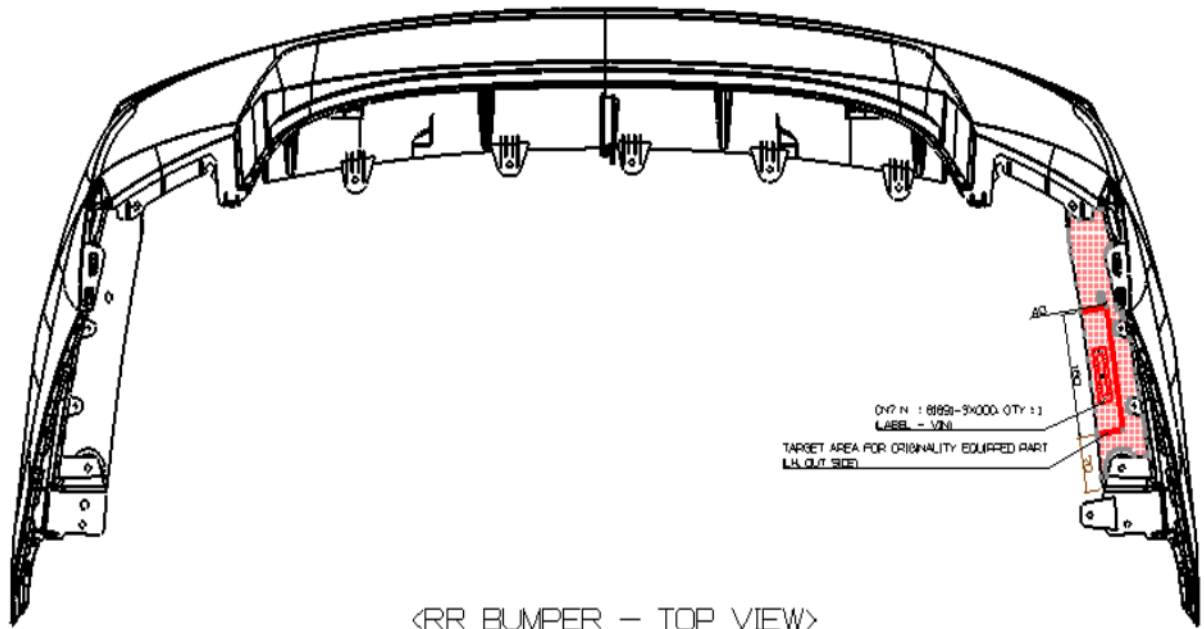


FRONT BUMPER - BOTTOM VIEW

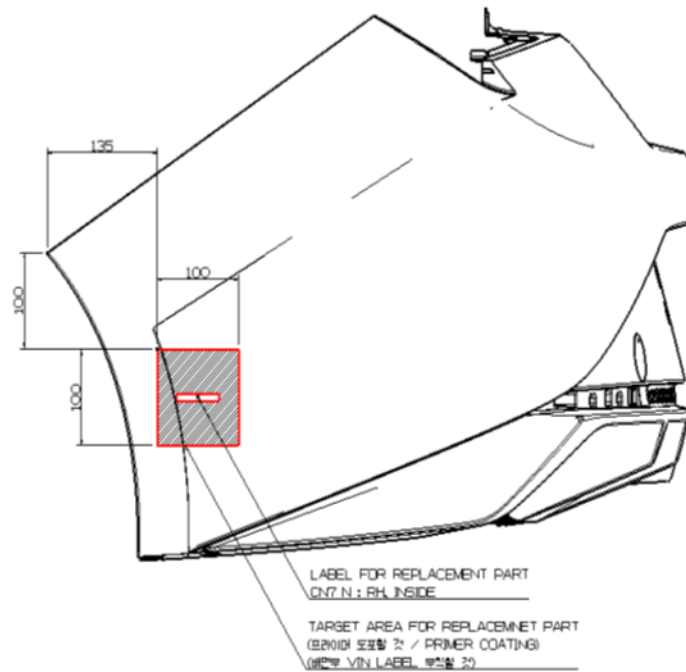




# Rear Bumper

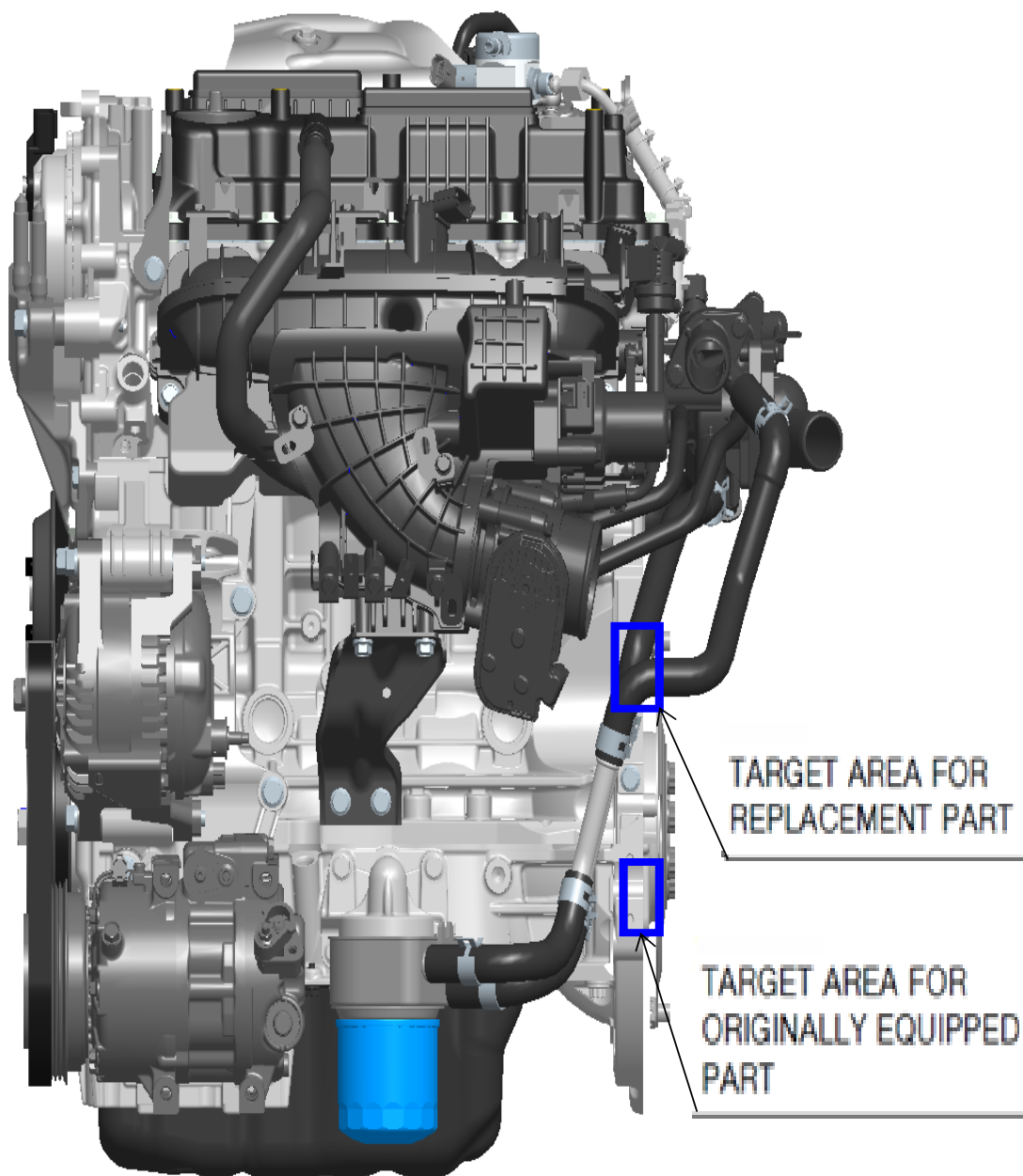


<RR BUMPER - TOP VIEW>



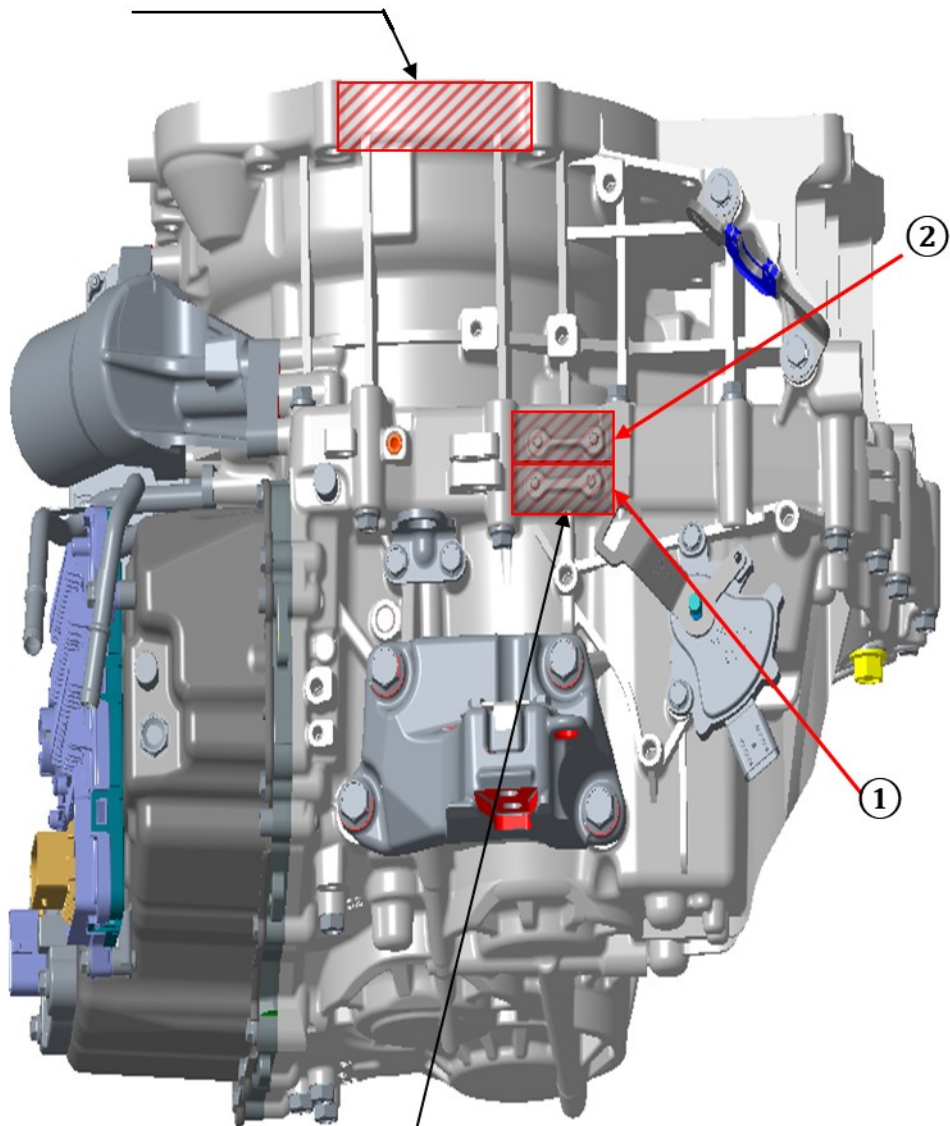
<REAR BUMPER - SIDE VIEW>

# Engine (Theta 2.0 T-GDI)



# Transmission (DCT)

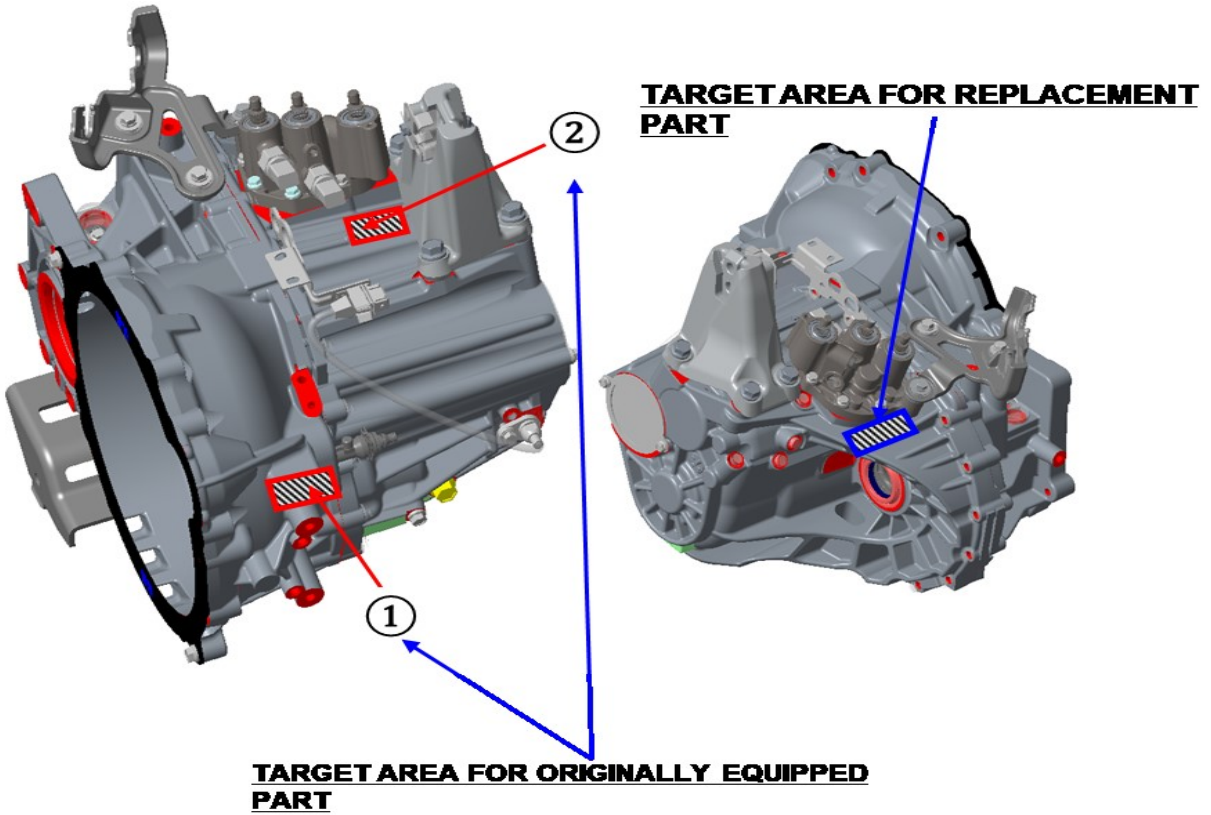
**TARGET AREA FOR  
REPLACEMENT PART**



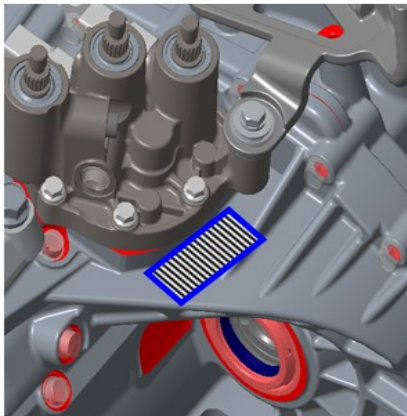
**TARGET AREA FOR  
ORIGINALLY EQUIPPED**

**※ VIN plate for originally equipped part  
will be attached to either ① or ②.**

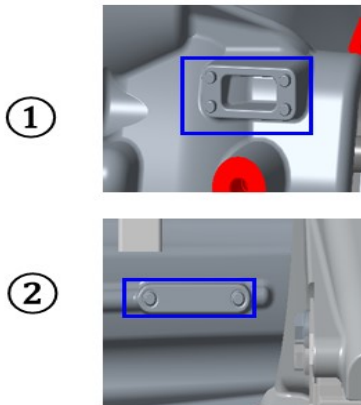
# Transmission (MT)



**TARGET AREA FOR REPLACEMENT PART**



**TARGET AREA FOR ORIGINALLY EQUIPPED PART**



**Attach VIN plate at the location 1 or 2**