

VIN marking area for Forte model

1. Hood
2. Trunk Lid
3. Front Fender (LH/RH)
4. Front Door (LH/RH)
5. Rear Door (LH/RH)
6. Side Outer Panel (LH/RH)
7. Front Bumper
8. Rear Bumper
9. Engine [Nu 2.0 MPI, Gamma 1.6 TGDI]
10. Transmission [CVT, MT, DCT]



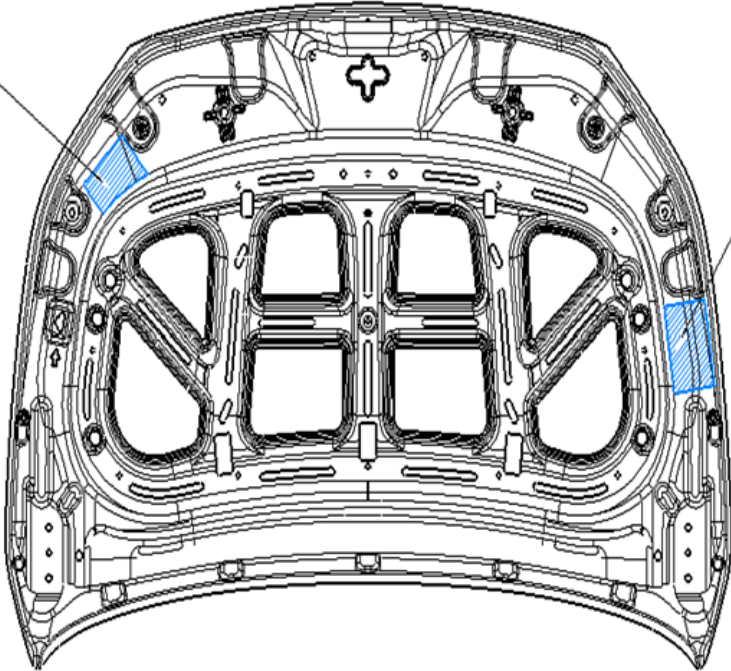
Hood

TARGET AREA FOR
REPLACEMENT PART

TARGET AREA FOR
ORIGINALLY EQUIPPED PART

RH

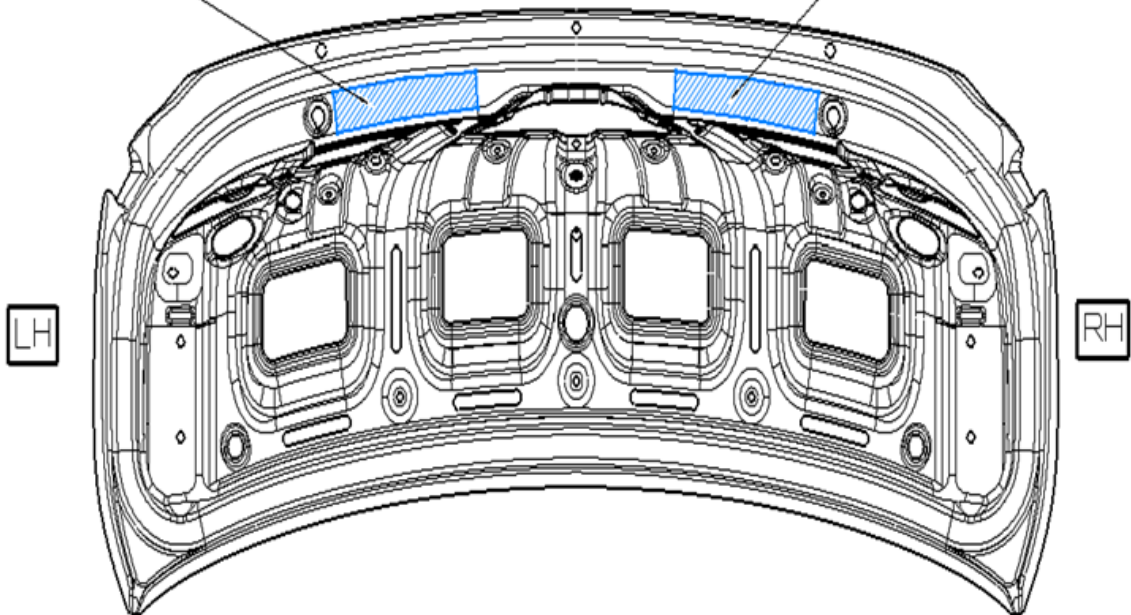
LH



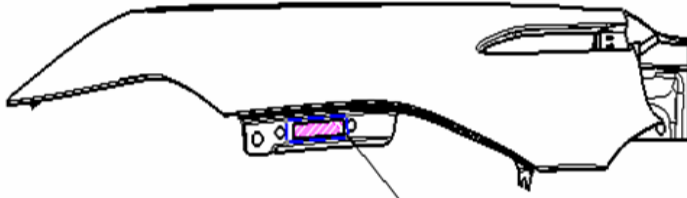
Trunk Lid

TARGET AREA FOR
REPLACEMENT PART

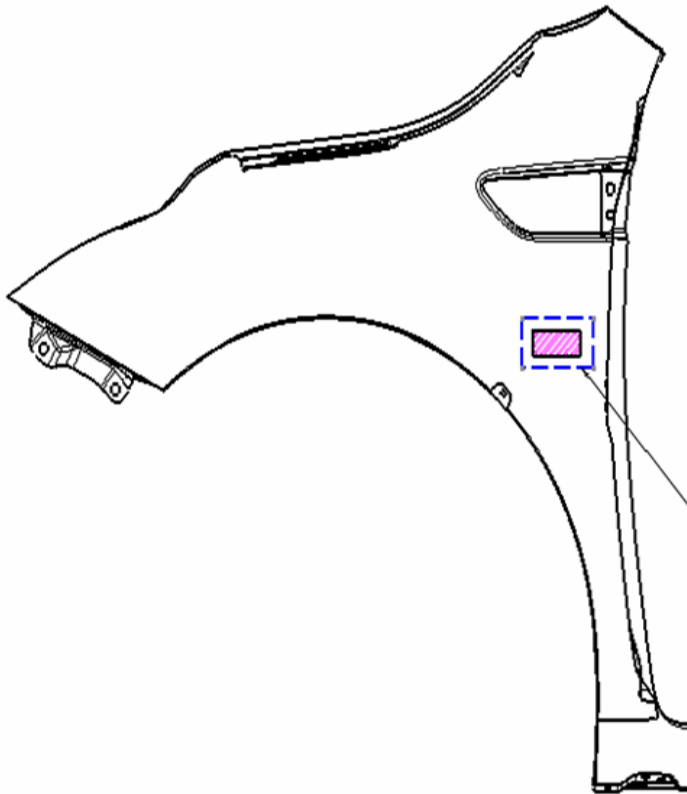
TARGET AREA FOR
ORIGINALLY EQUIPPED PART



Front Fender (LH/RH)

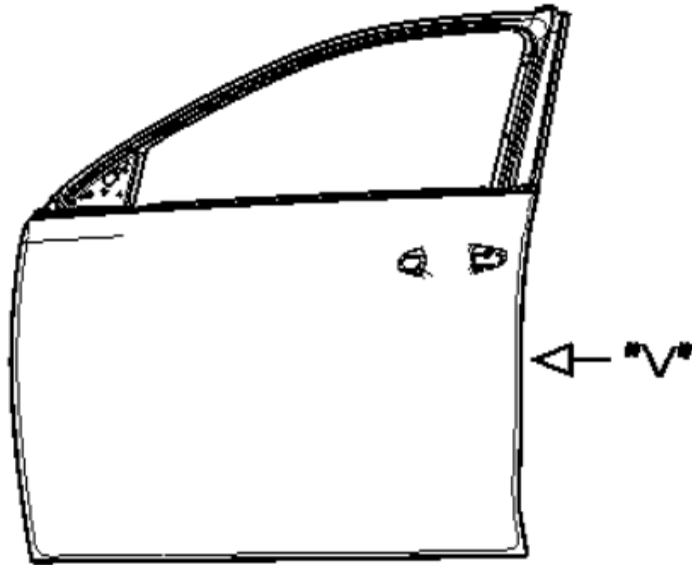


TARGET AREA FOR
ORIGINALLY EQUIPPED PART

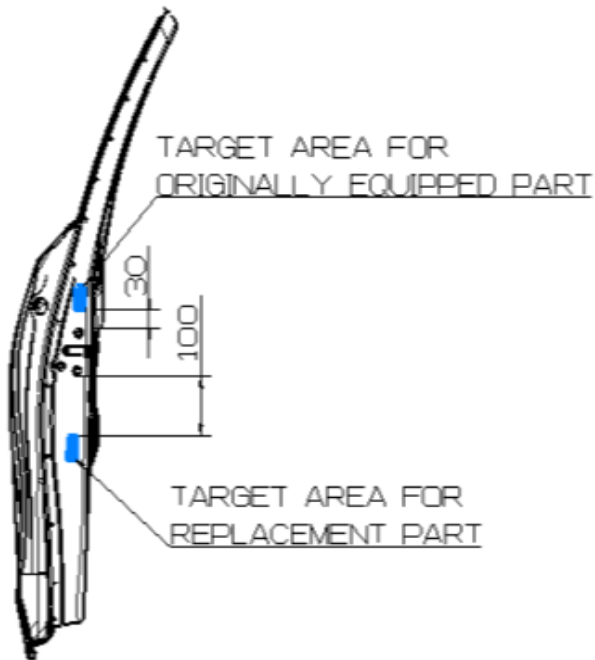


TARGET AREA FOR
REPLACEMENT PART

Front Door (LH/RH)

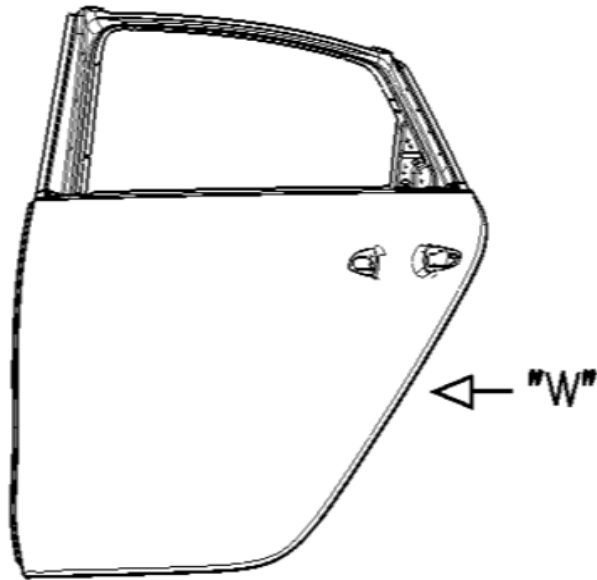


(FR DR, LH/RH)

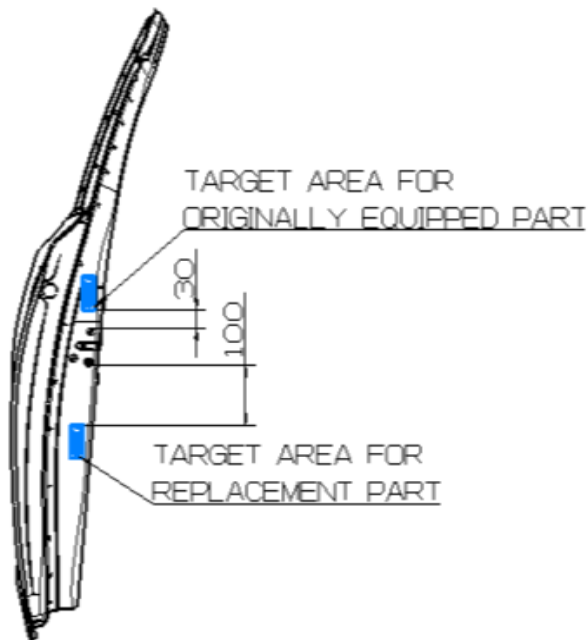


VIEW V

Rear Door (LH/RH)



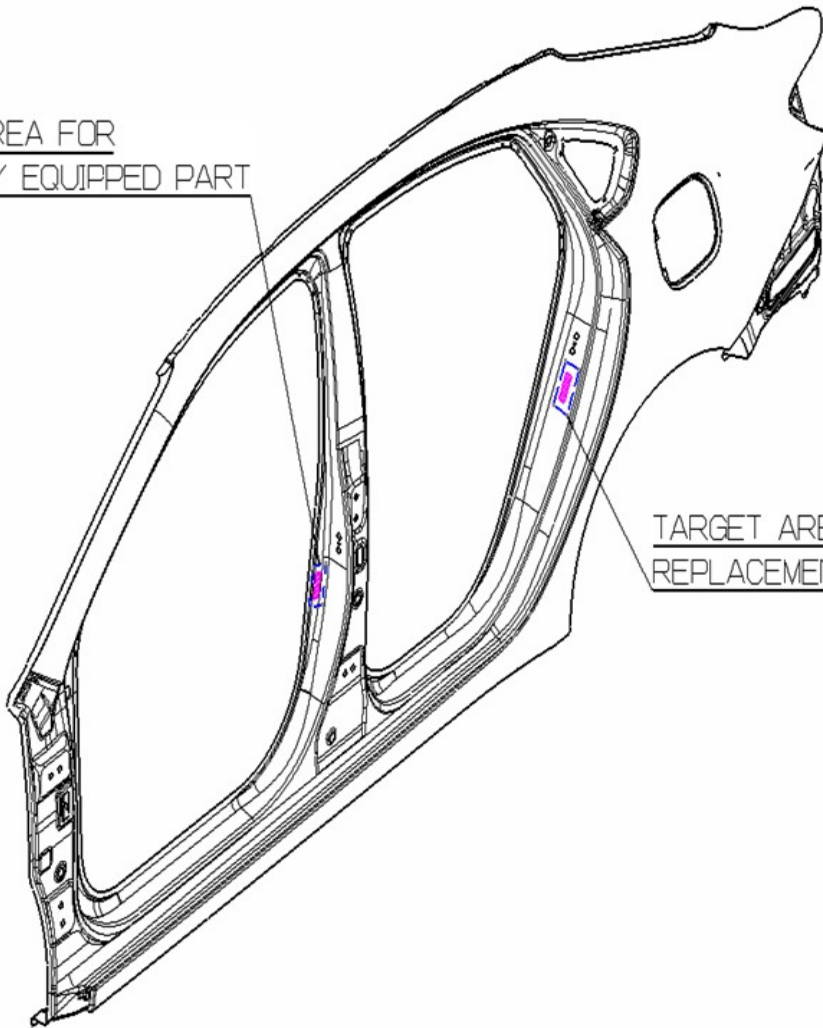
(RR DR, LH/RH)



VIEW W

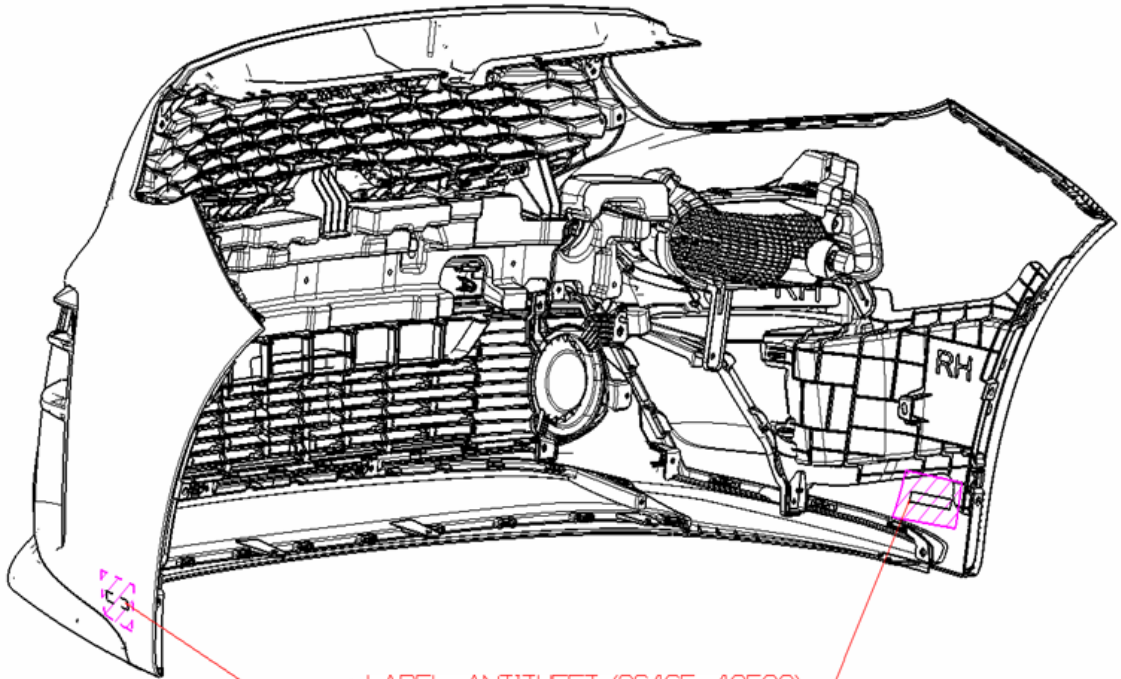
Side Outer Panel (LH/RH)

TARGET AREA FOR
ORIGINALLY EQUIPPED PART



TARGET AREA FOR
REPLACEMENT PART

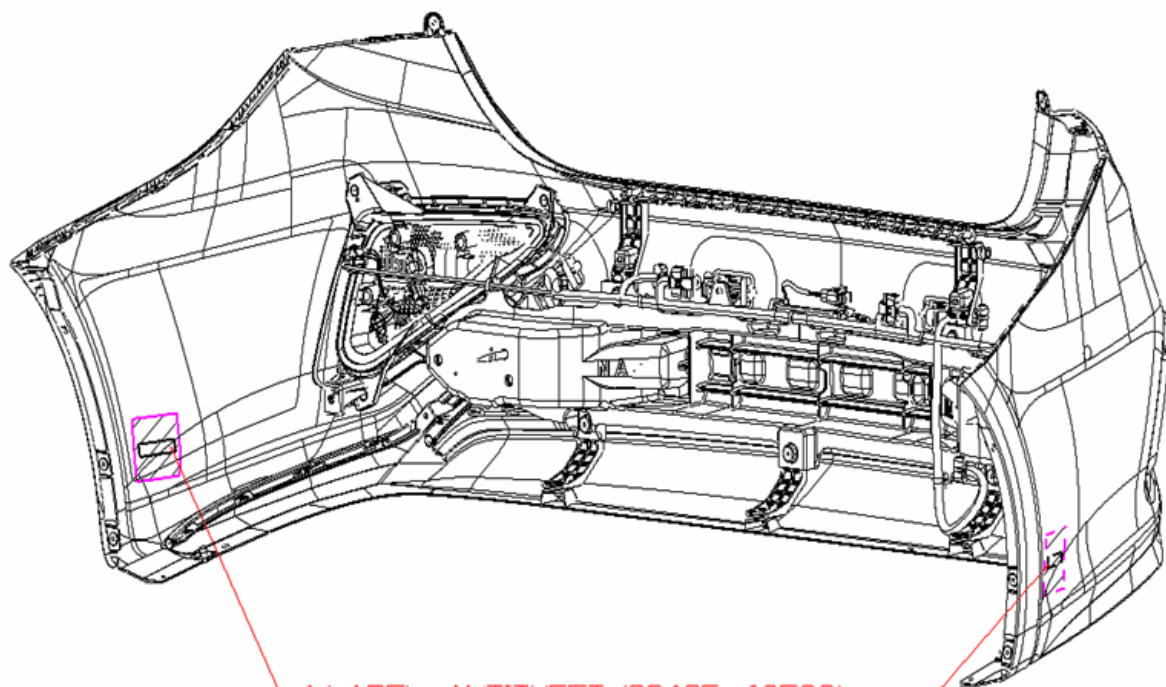
Front Bumper



⚠ LABEL-ANTITHEFT (86465-4C500)

LH INSIDE : FOR ORIGINALLY EQUIPPED PART
RH INSIDE : FOR REPLACEMENT PART

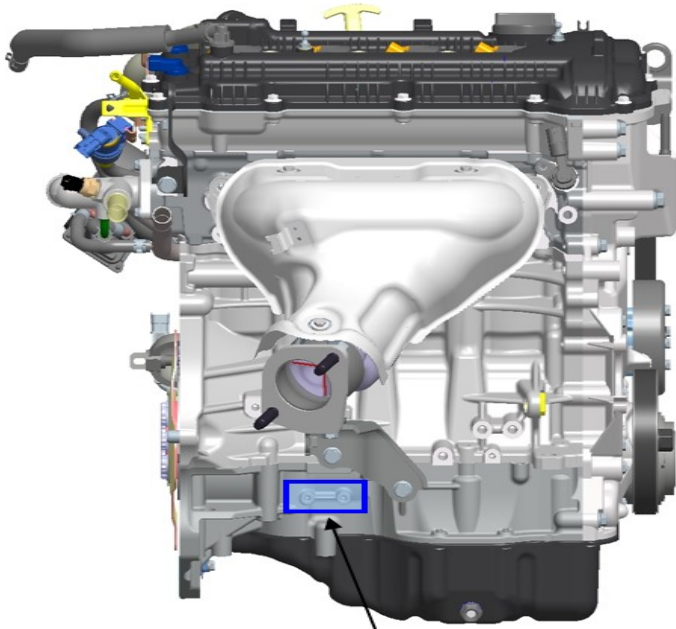
Rear Bumper



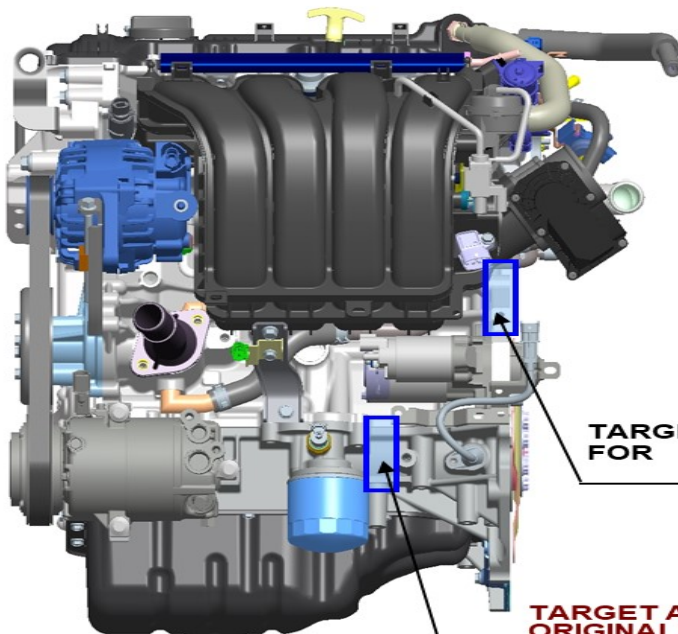
Ⓜ LABEL-ANTITHEFT (86465-4C500)

LH INSIDE : FOR ORIGINALLY EQUIPPED PART
RH INSIDE : FOR REPLACEMENT PART

Engine (Nu 2.0 MPI)



**TARGET AREA 'A' FOR
ORIGINALLY EQUIPPED
PART**

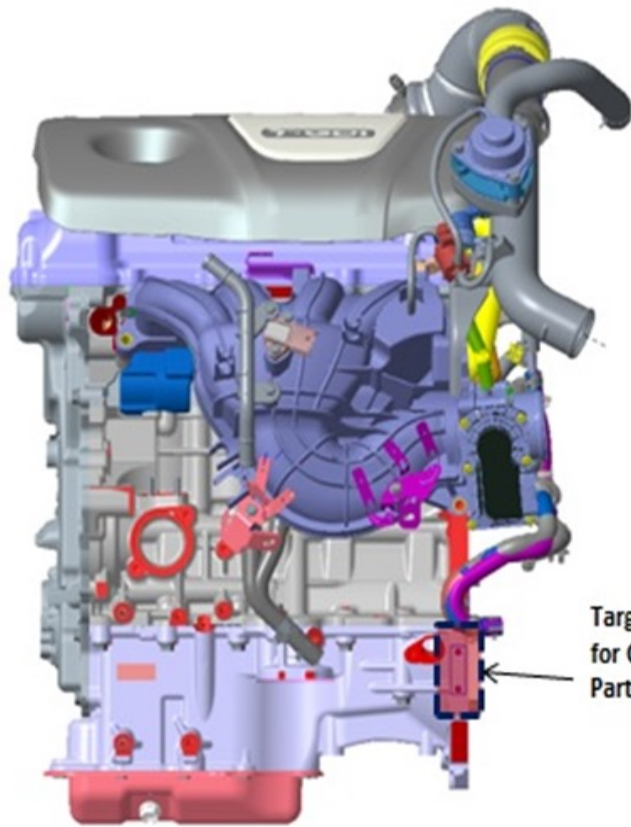


**TARGET AREA
FOR**

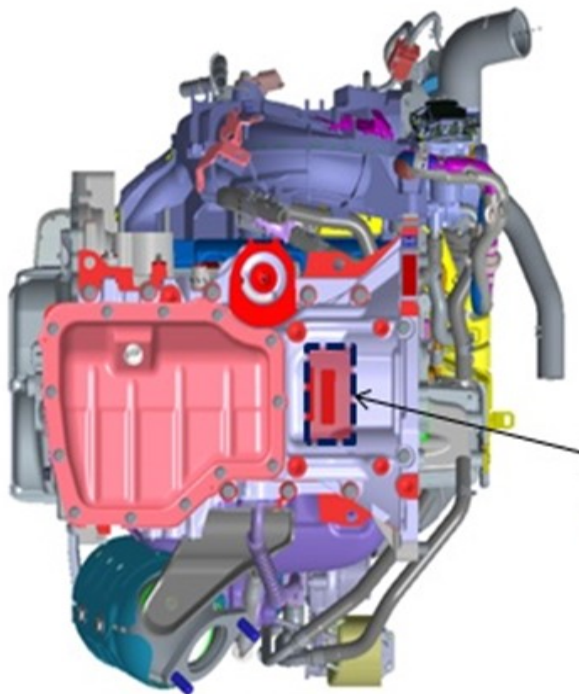
**TARGET AREA 'B' FOR
ORIGINALLY EQUIPPED
PART
(ALTERNATIVE)**

In the case of engine which is originally installed, VIN label will be attached to a position either

Engine (Gamma 1.6 TGDI)



Target Area (V.I.N.)
for Original Equipment
Part



Target Area for
Replacement Part

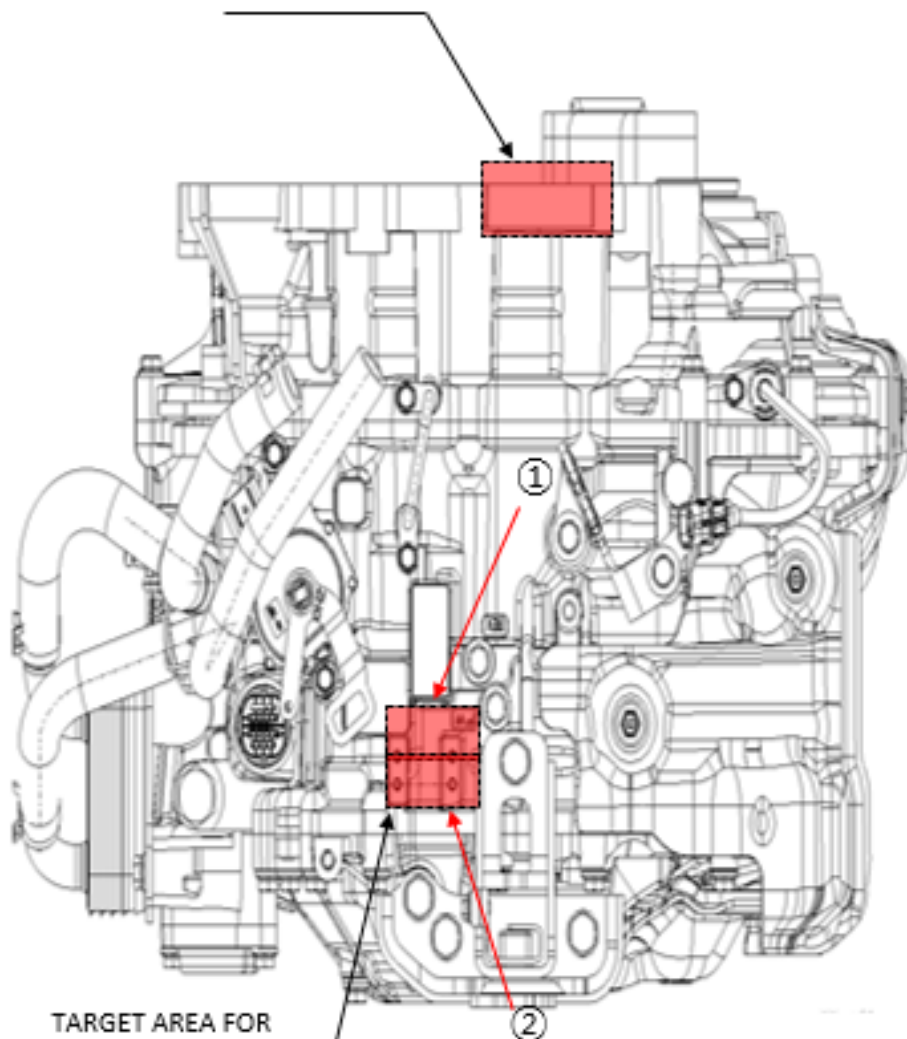
Transmission (CVT for Nu 2.0 MPI)

R **KM** DOT

OR

R **KMC**

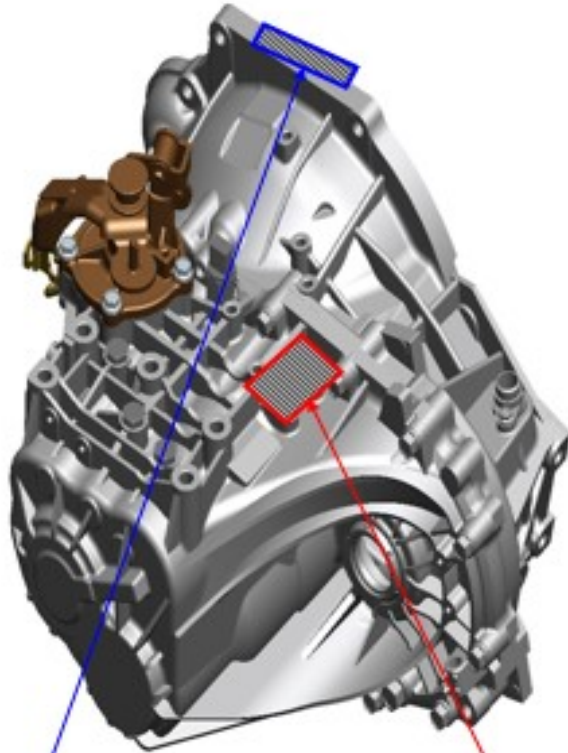
TARGET AREA FOR
REPLACEMENT PART



TARGET AREA FOR
ORIGINALLY EQUIPPED PART
(ATTACH ONE VIN PLATE LOCATION 1 OR 2.)

Transmission (6MT for Nu 2.0 MPI)

TARGET AREA FOR REPLACEMENT PART

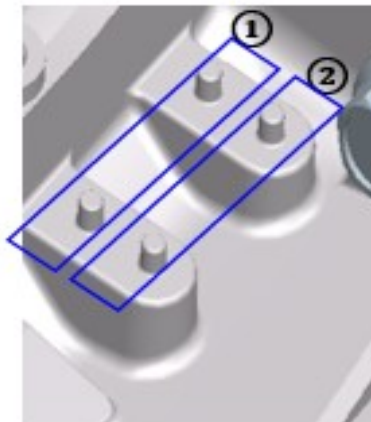


TARGET AREA FOR
REPLACEMENT PART

TARGET AREA FOR
ORIGINALLY EQUIPPED PART



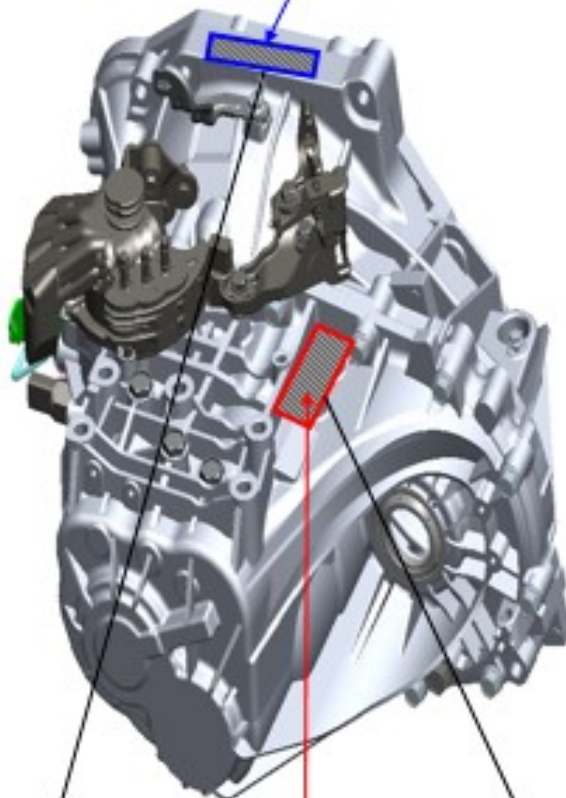
R **KM** DOT OR R **KMC**
DOT



Attach VIN plate at the location 1 or 2

Transmission (Manual 1.6 TGDI)

**TARGET AREA FOR
REPLACEMENT PART**

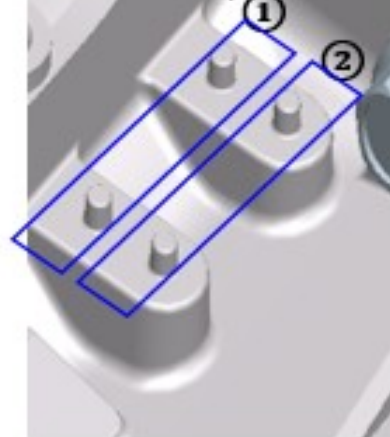


**TARGET AREA FOR ORIGINALLY
EQUIPPED PART**

**TARGET AREA FOR
REPLACEMENT PART**



**TARGET AREA FOR
ORIGINALLY EQUIPPED PART**



o

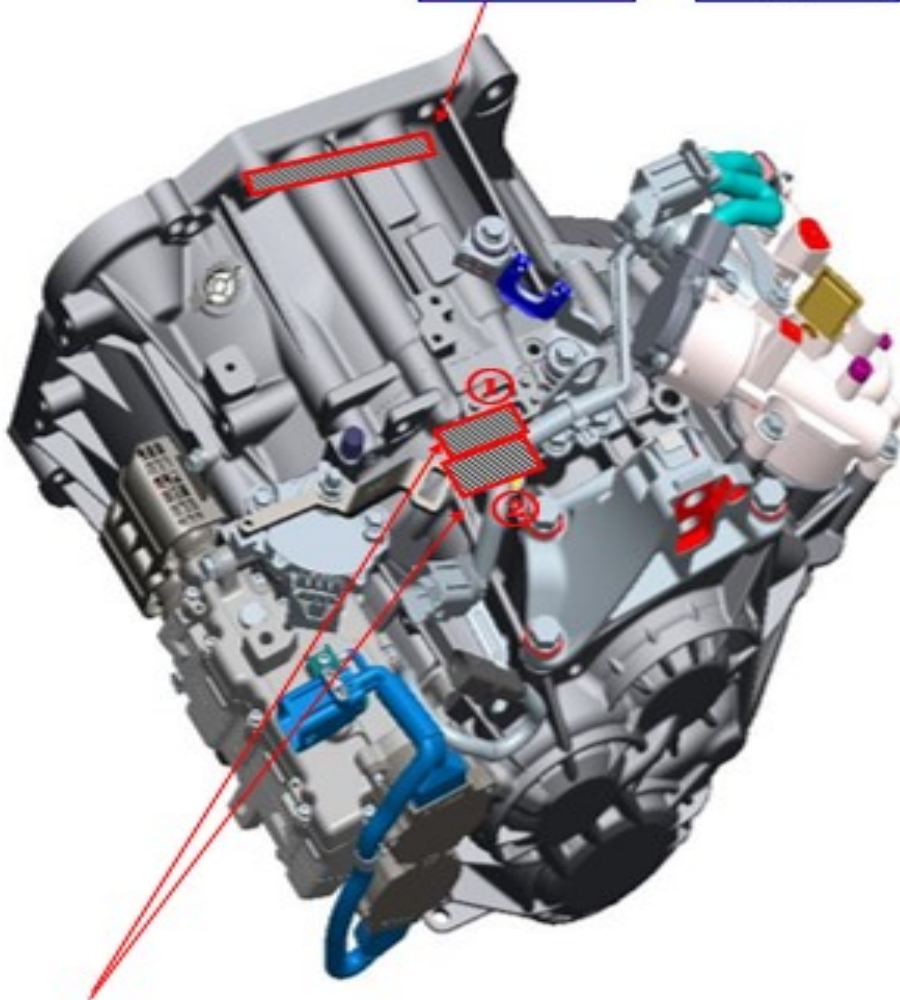


Attach VIN plate at the location 1 or 2

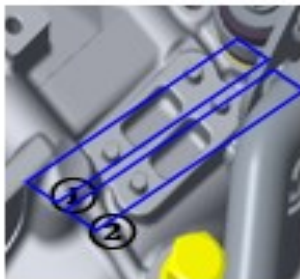
Transmission (7DCT for 1.6 T-GDI)

TARGET AREA FOR
REPLACEMENT PART

R **KM** DOT OR R **KMC**
DOT



TARGET AREA FOR
ORIGINALLY EQUIPPED PART



ATTACH ONE VIN PLATE LOCATION 1 OR 2.