



SUBARU

North American Subaru, Inc.
One Subaru Drive
Camden, NJ 08103
856-488-8500
www.subaru.com

August 26, 2021
Ref. No: GR21-028

Docket Management, Room W12-140
West Building, Ground Floor
National Highway Traffic Safety Administration
1200 New Jersey Avenue, S.E.
Washington, DC 20590

Part 541, "Federal Motor Vehicle Theft Prevention Standard" re: Target areas for Model Year 2022 Subaru BRZ

Reference - Docket No. NHTSA-2009-0069

Pursuant to 49 CFR 541.5(e)(2) and 541.6(e)(3), North American Subaru, Inc ("NASI"), on behalf of SUBARU CORPORATION and Subaru of America, Inc., hereby submits the enclosed information identifying target areas on original equipment parts and replacement parts for model year 2022 Subaru BRZ vehicles to be sold in the United States.

If you have any questions, please do not hesitate to contact me at (443) 430-3619.

Sincerely,

John Frooshani

John Frooshani
Vehicle Regulatory Manager
North American Subaru, Inc ("NASI") - Government Regulatory Affairs

Attachment

Attachment

re: Part 541 target areas for 2022 Model Year
Subaru BRZ

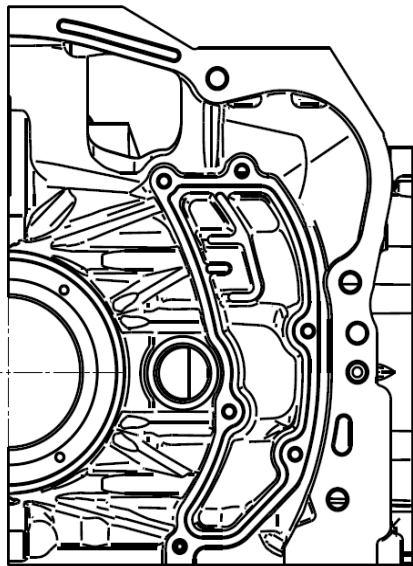
TARGET AREAS
FOR
THE 49 CFR PART 541
FEDERAL MOTOR VEHICLE THEFT PREVENTION STANDARD

1. Application car line:
SUBARU BRZ

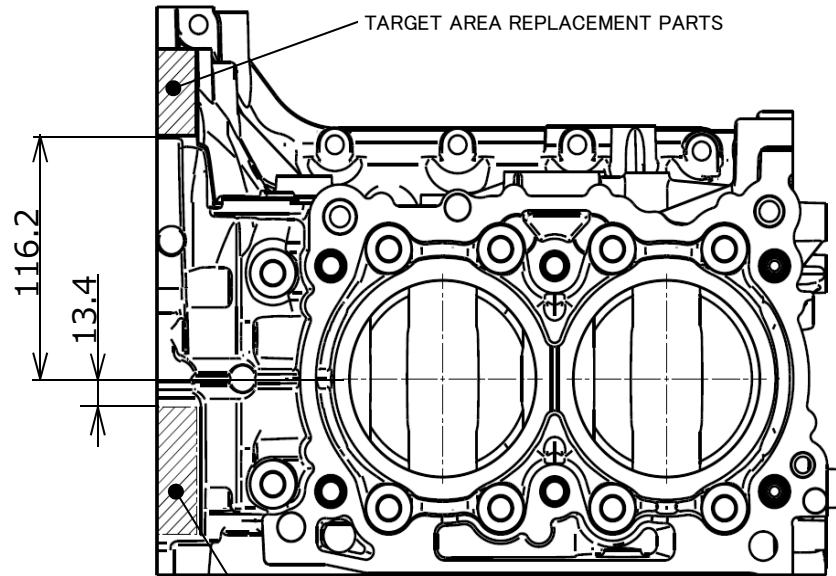
2.Target areas:	<u>Page</u>
(1) Engine	2
(2) Transmission MT	3
(3) Transmission AT	4
(4) Front Fender RH/LH	5
(5) Hood	6
(6) Door RH/LH	7
(7) Front Bumper	8
(8) Rear Bumper	9
(9) Rear Quarter Panel RH/LH	10
(10) Trunk	11

Engine

All measurements listed are in millimeters (mm).



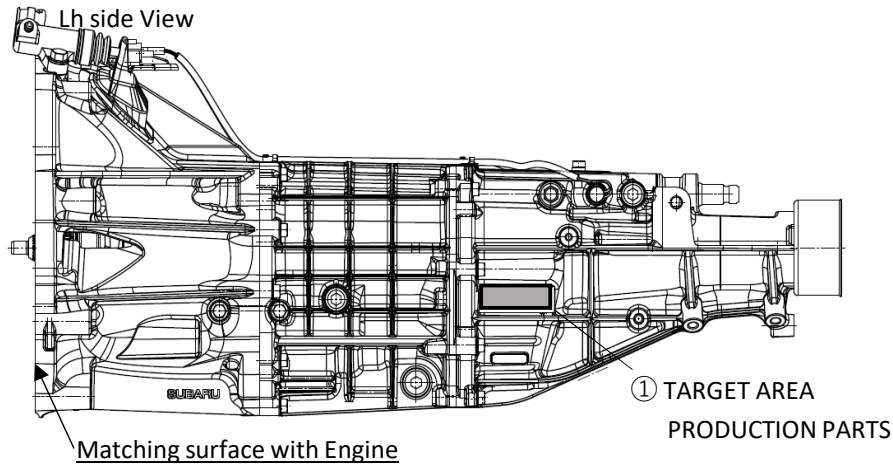
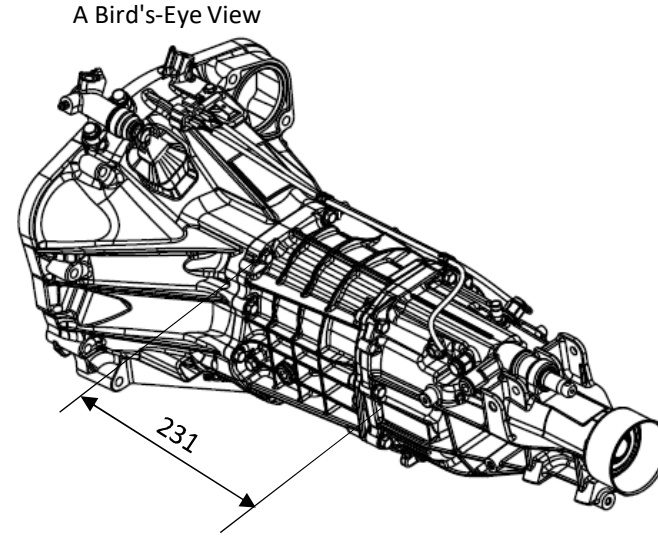
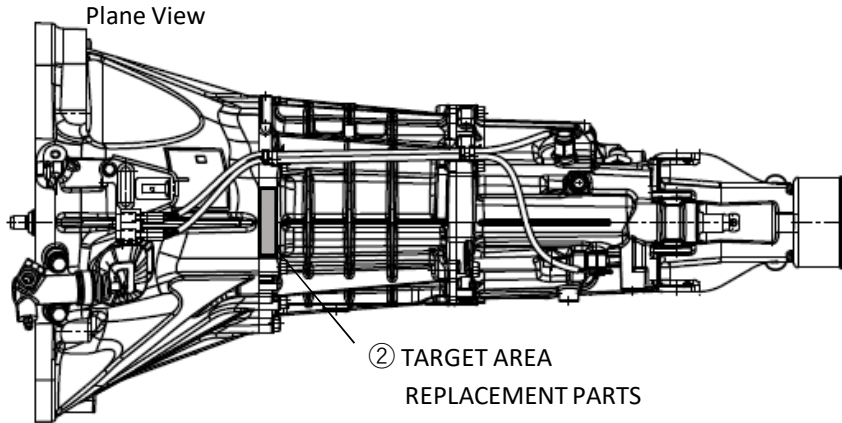
Rear View



RH Side View

Transmission (MT)

All measurements listed are in millimeters (mm).

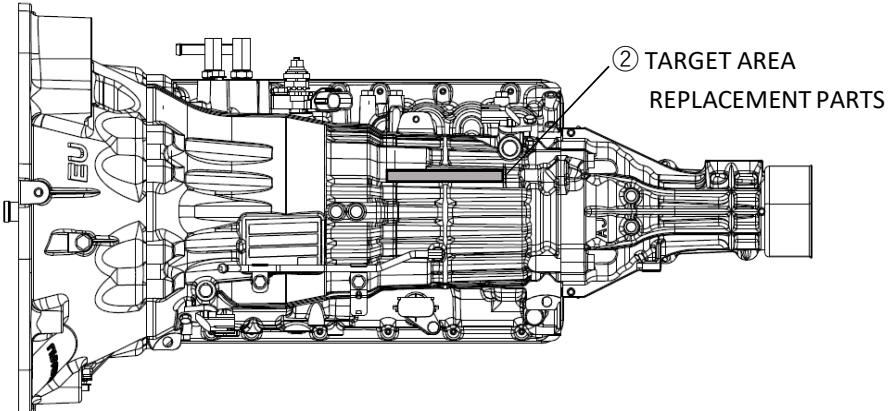


The shortest distance from ① to ②

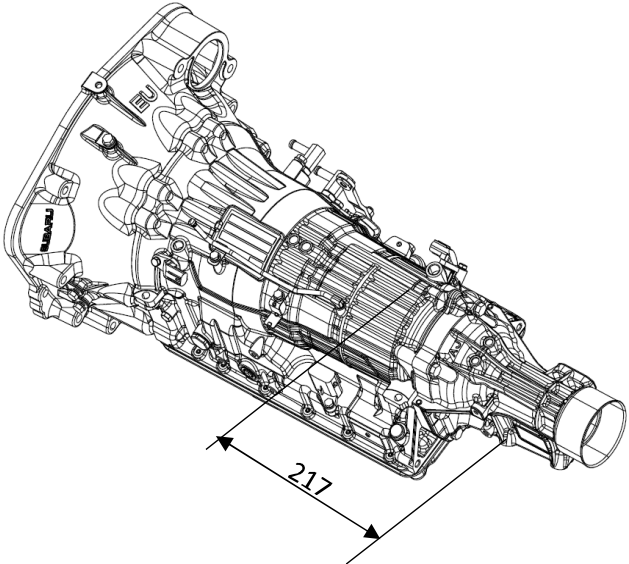
Transmission AT

All measurements listed are in millimeters (mm).

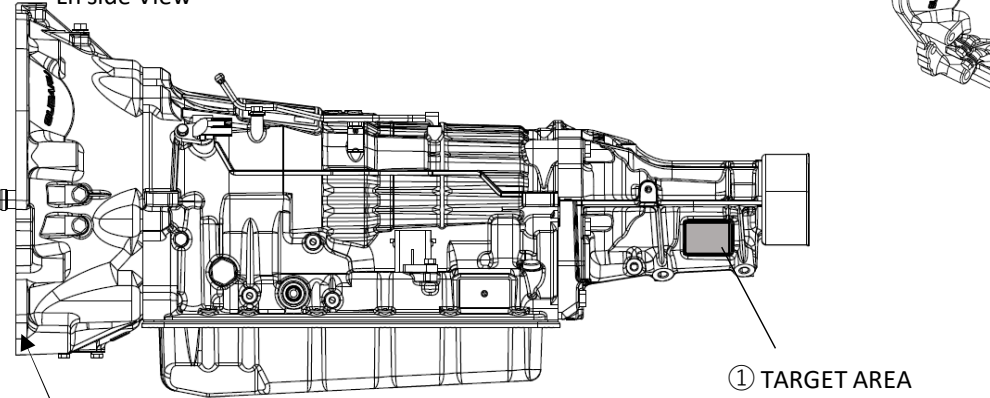
Plane View



A Bird's-Eye View



Lh side View

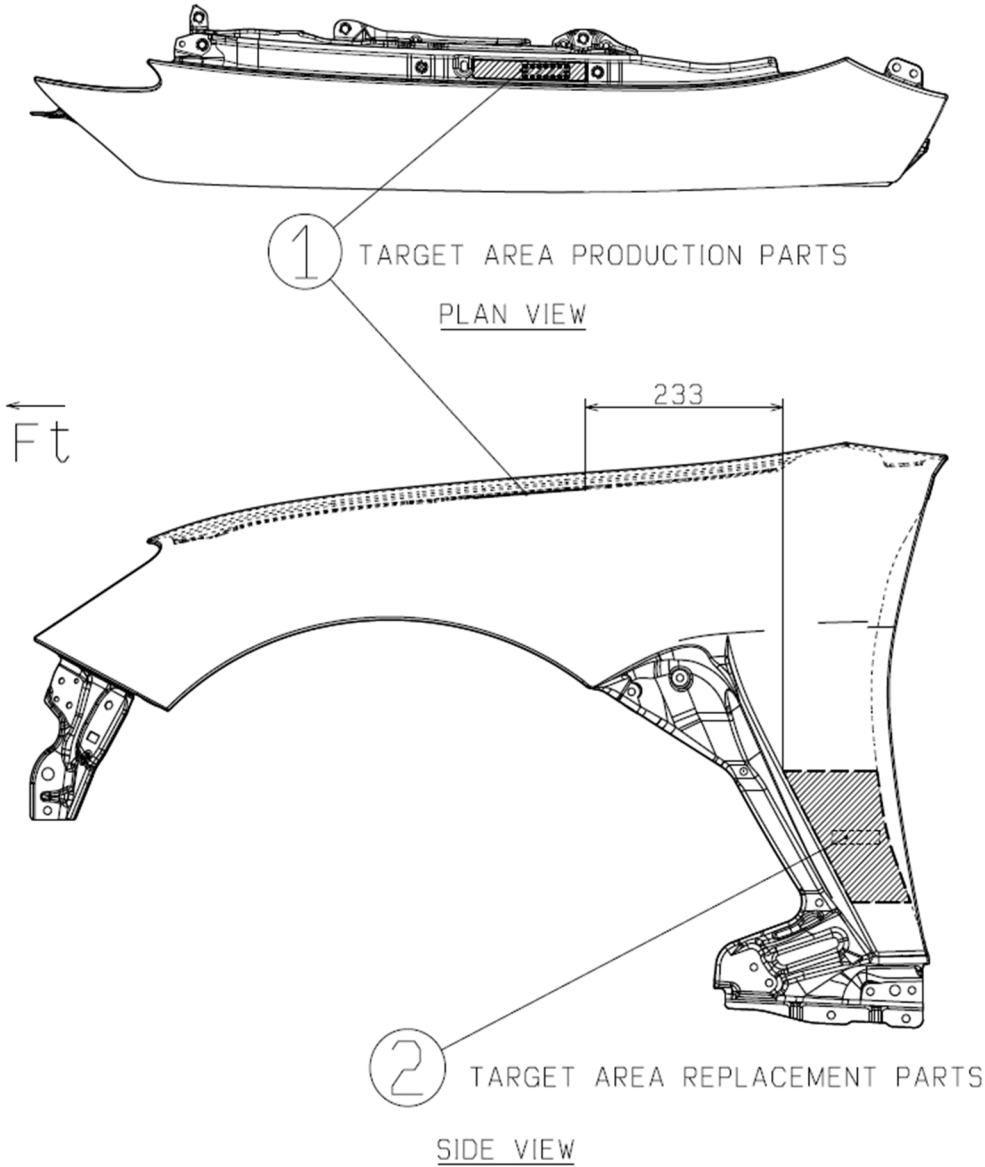


Matching surface with Engine

The shortest distance from ① to ②

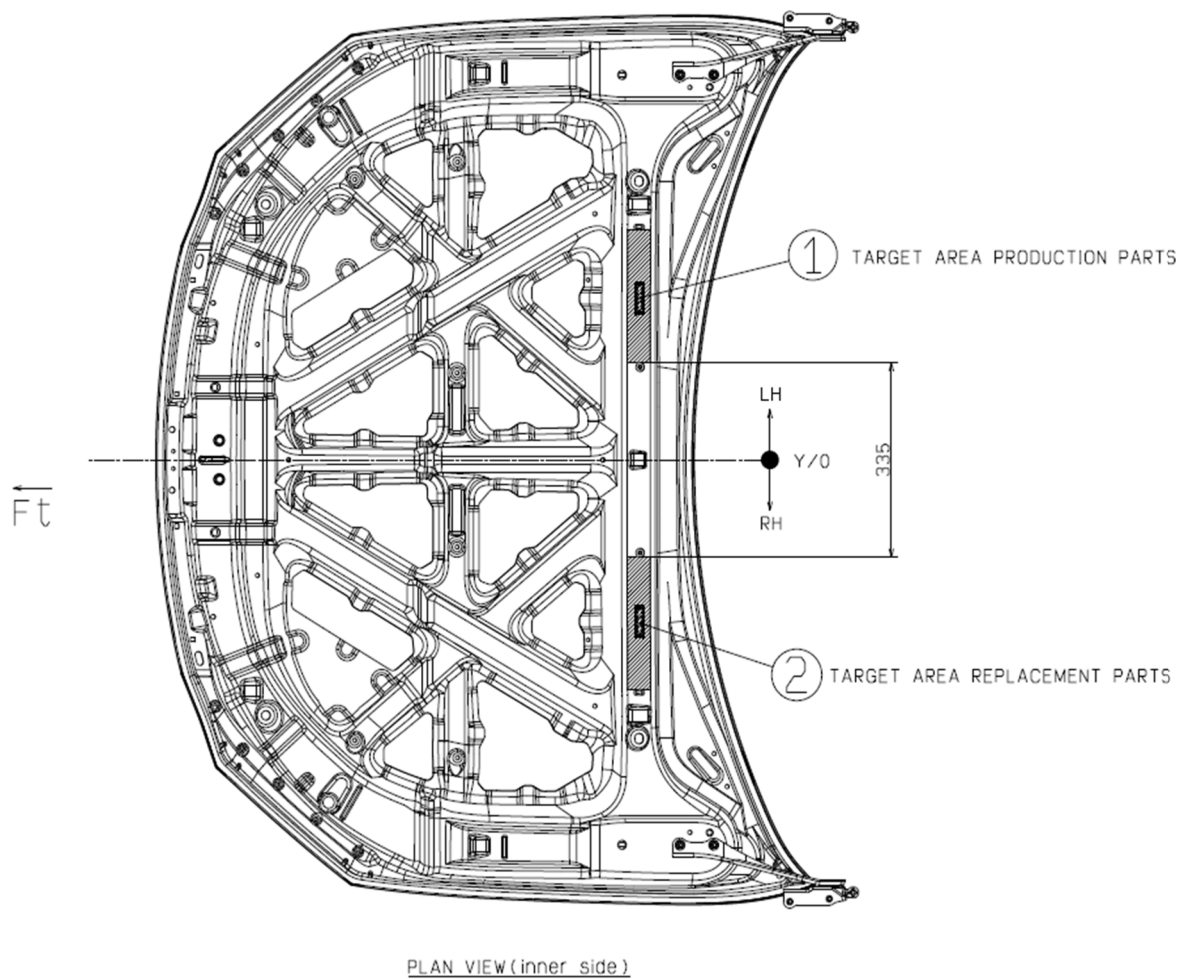
Front Fender RH/LH

All measurements listed are in millimeters (mm).



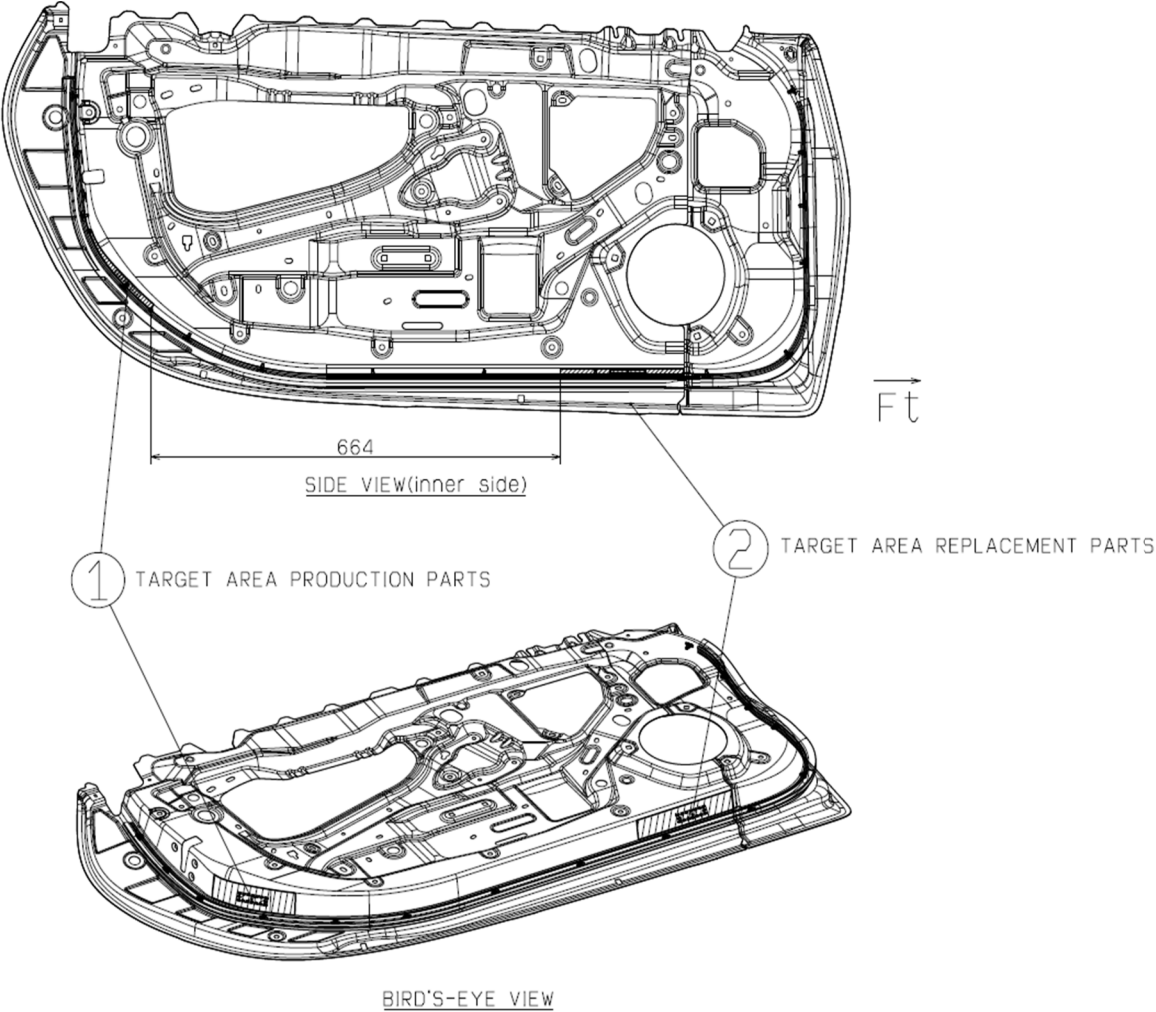
Hood

All measurements listed are in millimeters (mm).



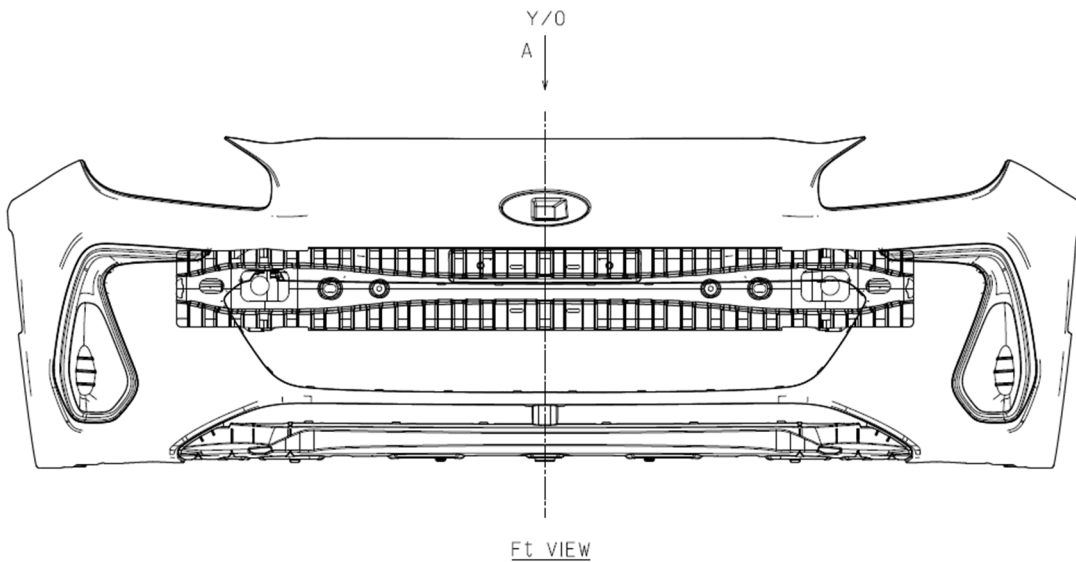
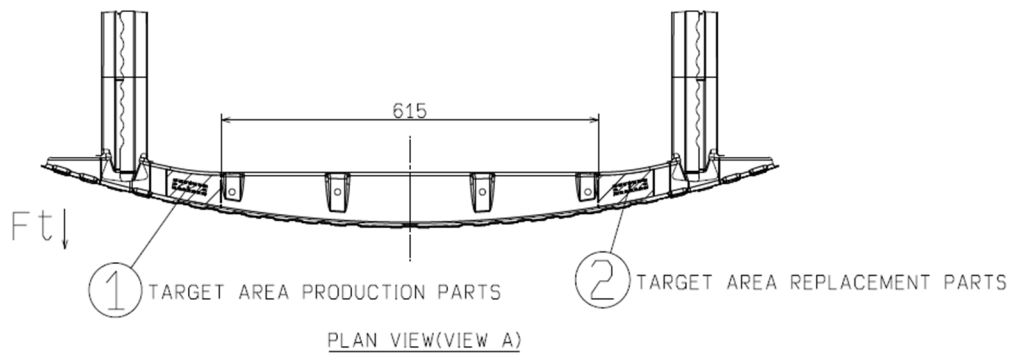
Door RH/LH

All measurements listed are in millimeters (mm).



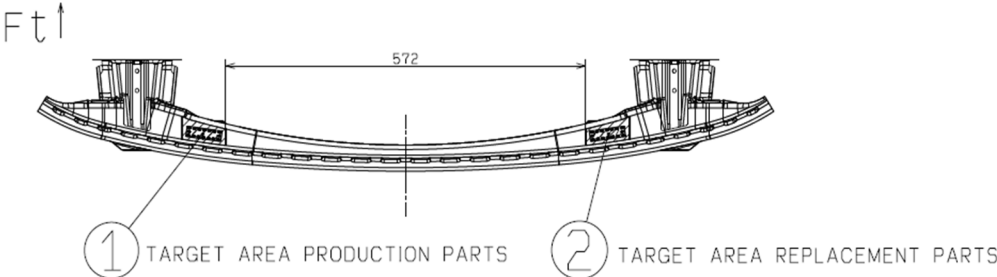
Front Bumper

All measurements listed are in millimeters (mm).

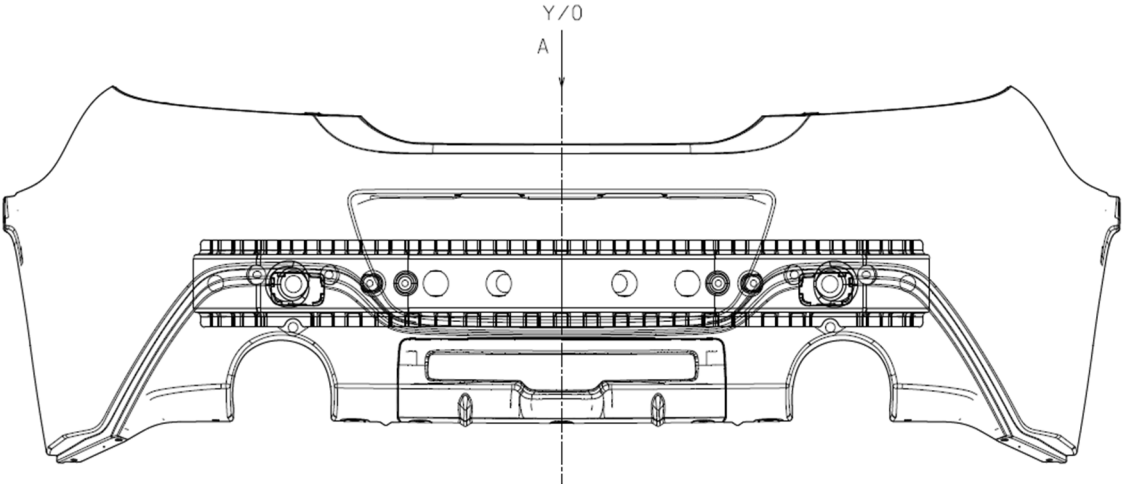


Rear Bumper

All measurements listed are in millimeters (mm).



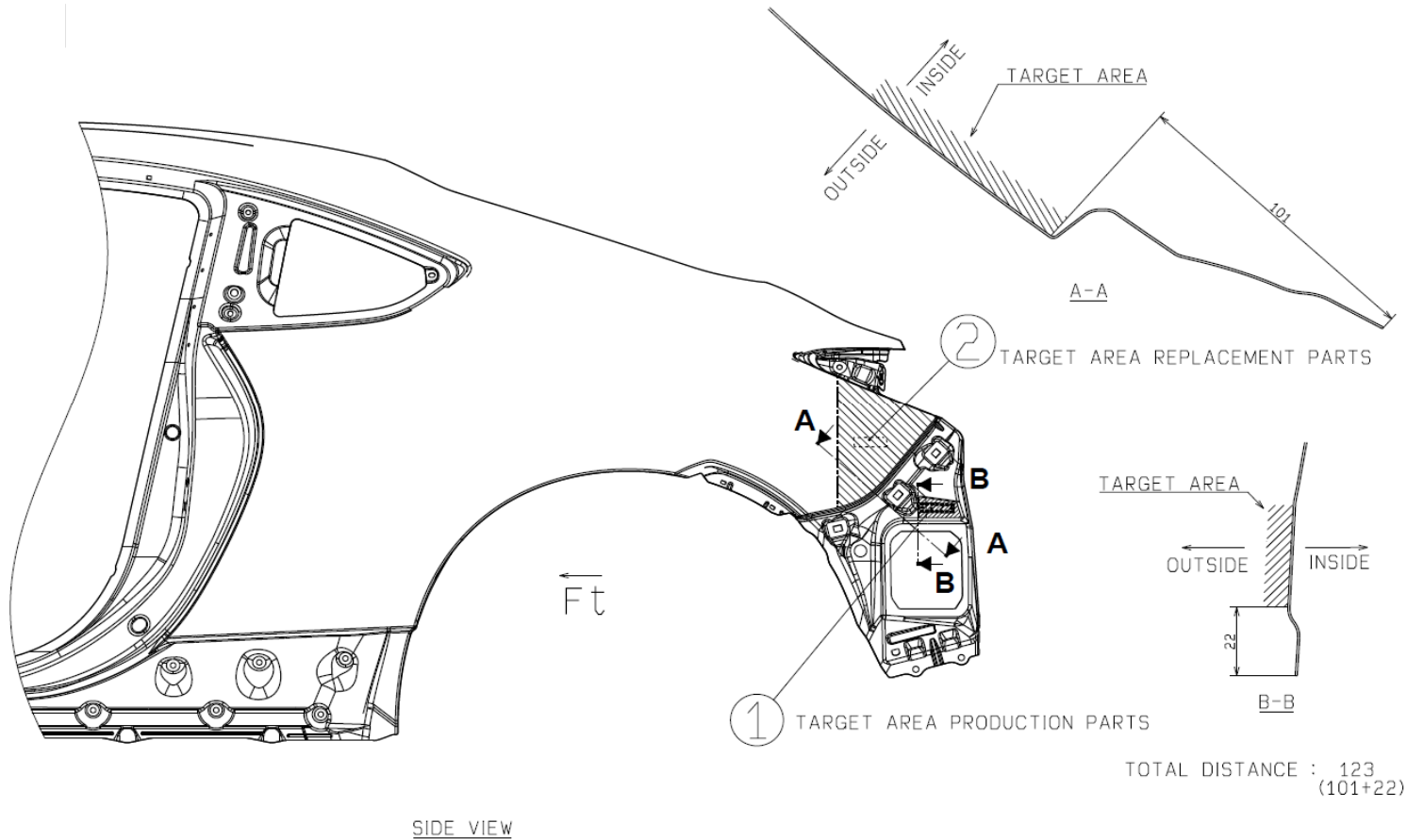
PLAN VIEW(VIEW A)



REAR VIEW

Rear Quarter Panel RH/LH

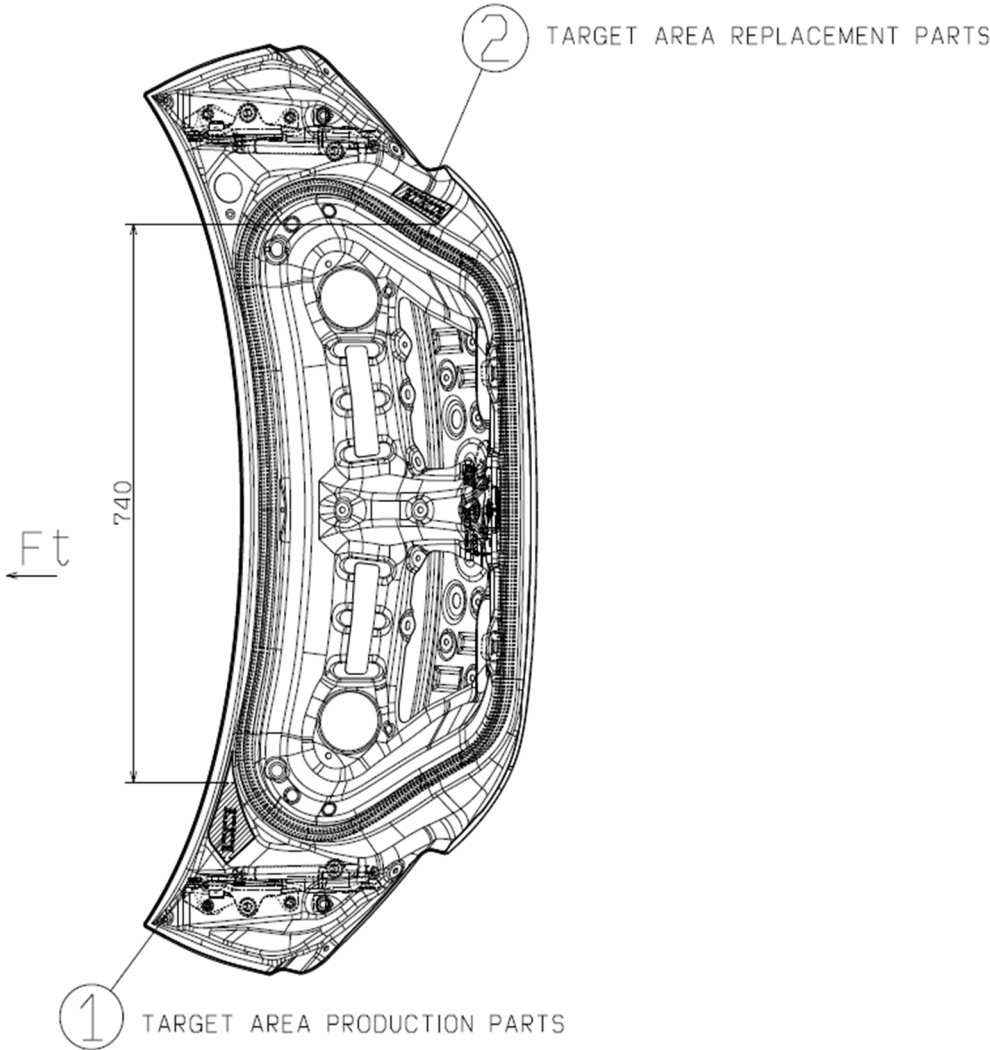
All measurements listed are in millimeters (mm).



SIDE VIEW

Trunk

All measurements listed are in millimeters (mm).



PLAN VIEW (inner side)