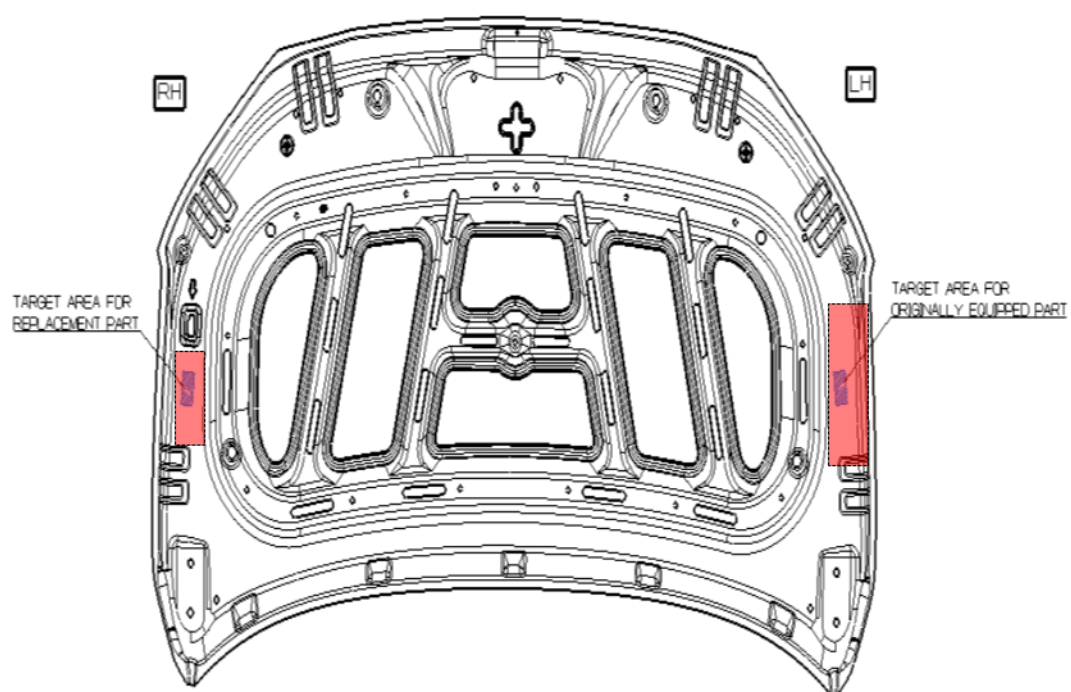


VIN marking area for Kona N model

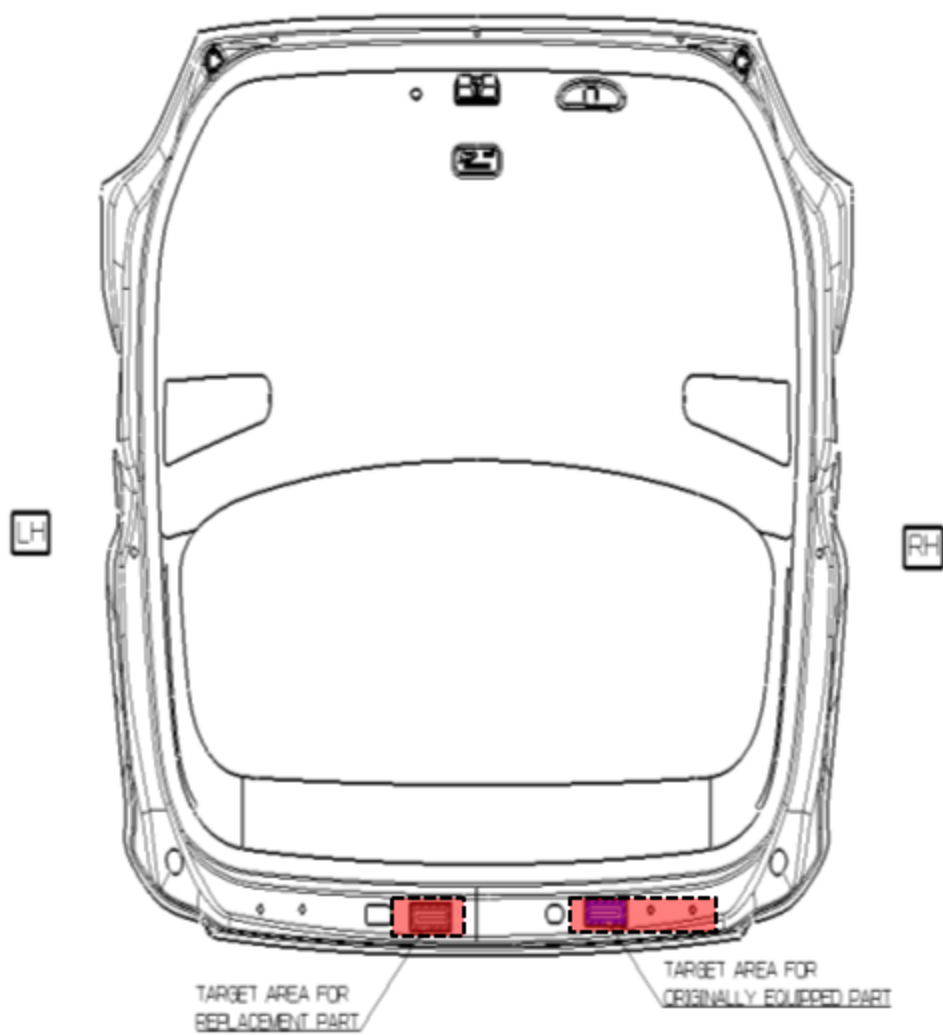
1. Hood
2. Tailgate
3. Front Fender (LH/RH)
4. Front Door (LH/RH)
5. Rear Door (LH/RH)
6. Side Outer Panel (LH/RH)
7. Front Bumper
8. Rear Bumper
9. Engine [Theta II 2.0T-GDI]
10. Transmission [8DT2]



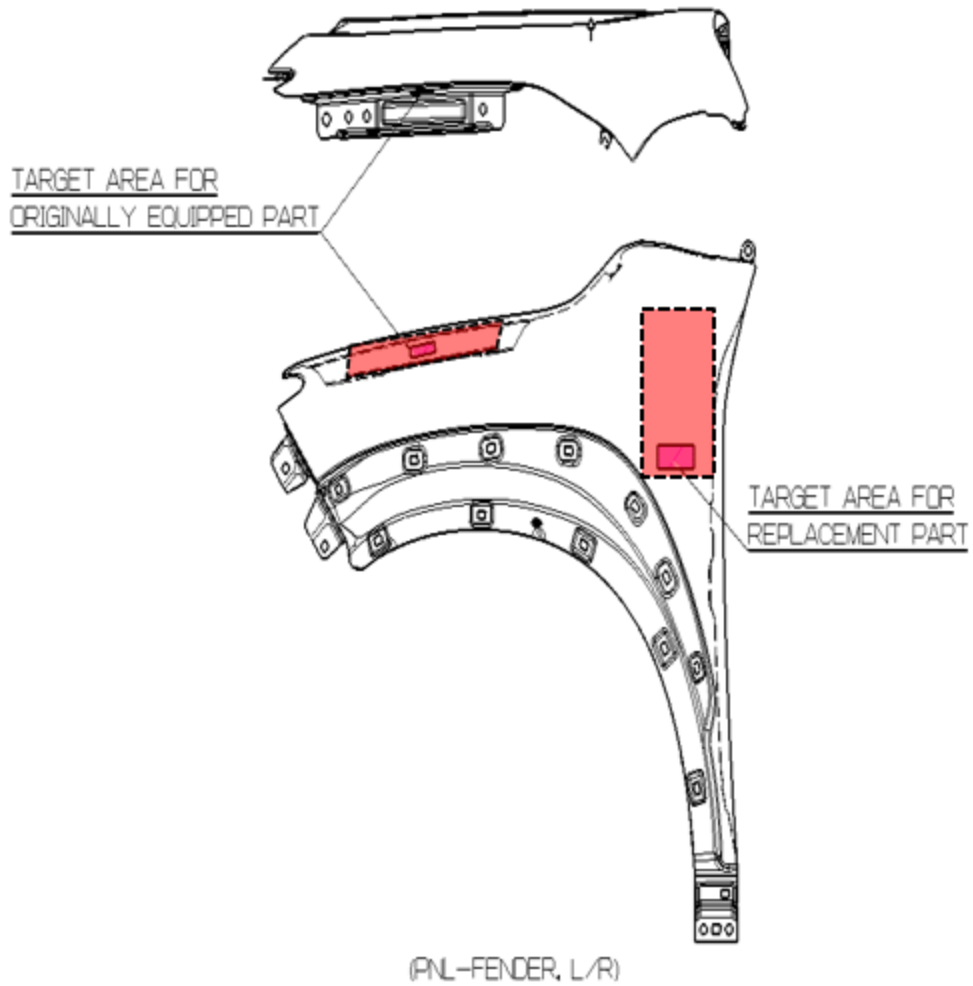
Hood



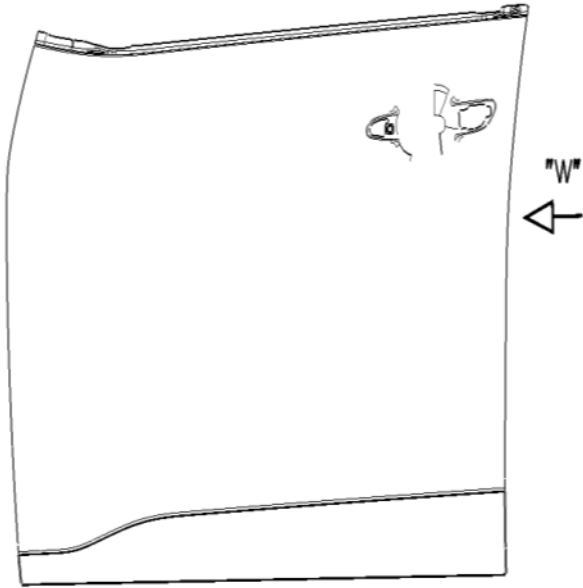
Tailgate



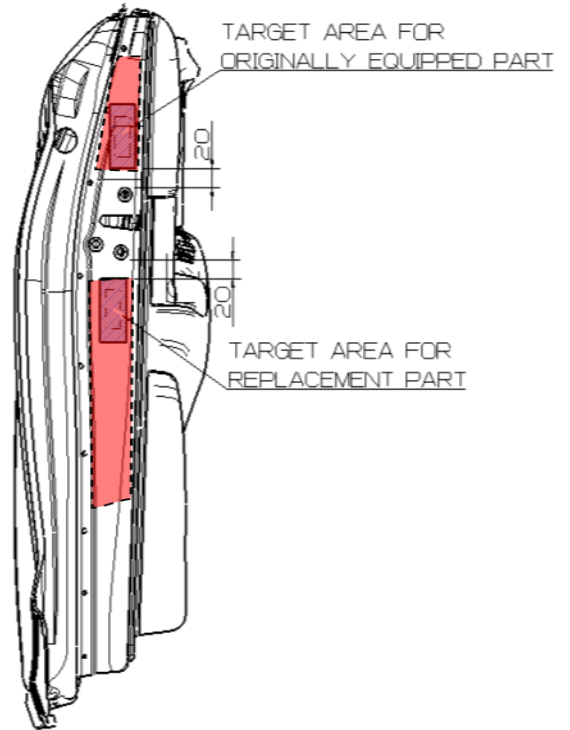
Front Fender (LH/RH)



Front Door (LH/RH)

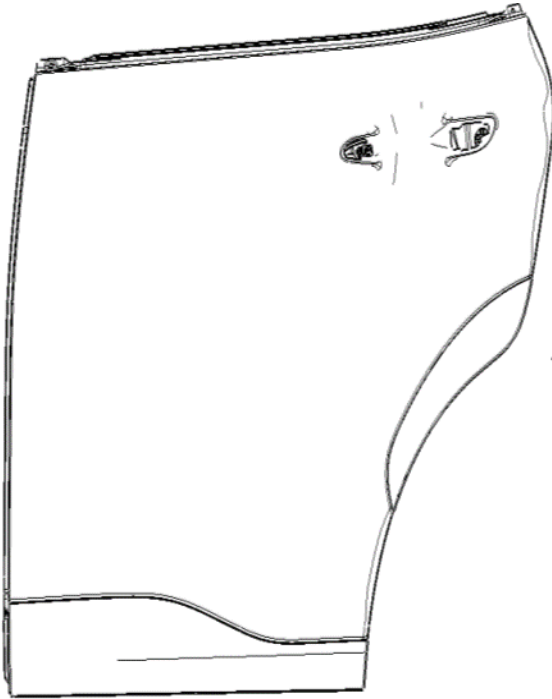


(P.N. ASSY-FR DR, L/R)

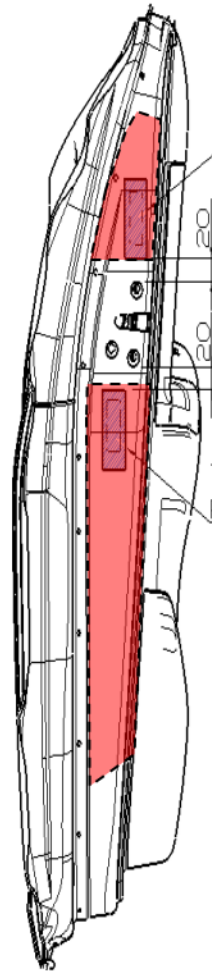


VIEW W

Rear Door (LH/RH)



(PNL ASSY-RR DR, L/R)

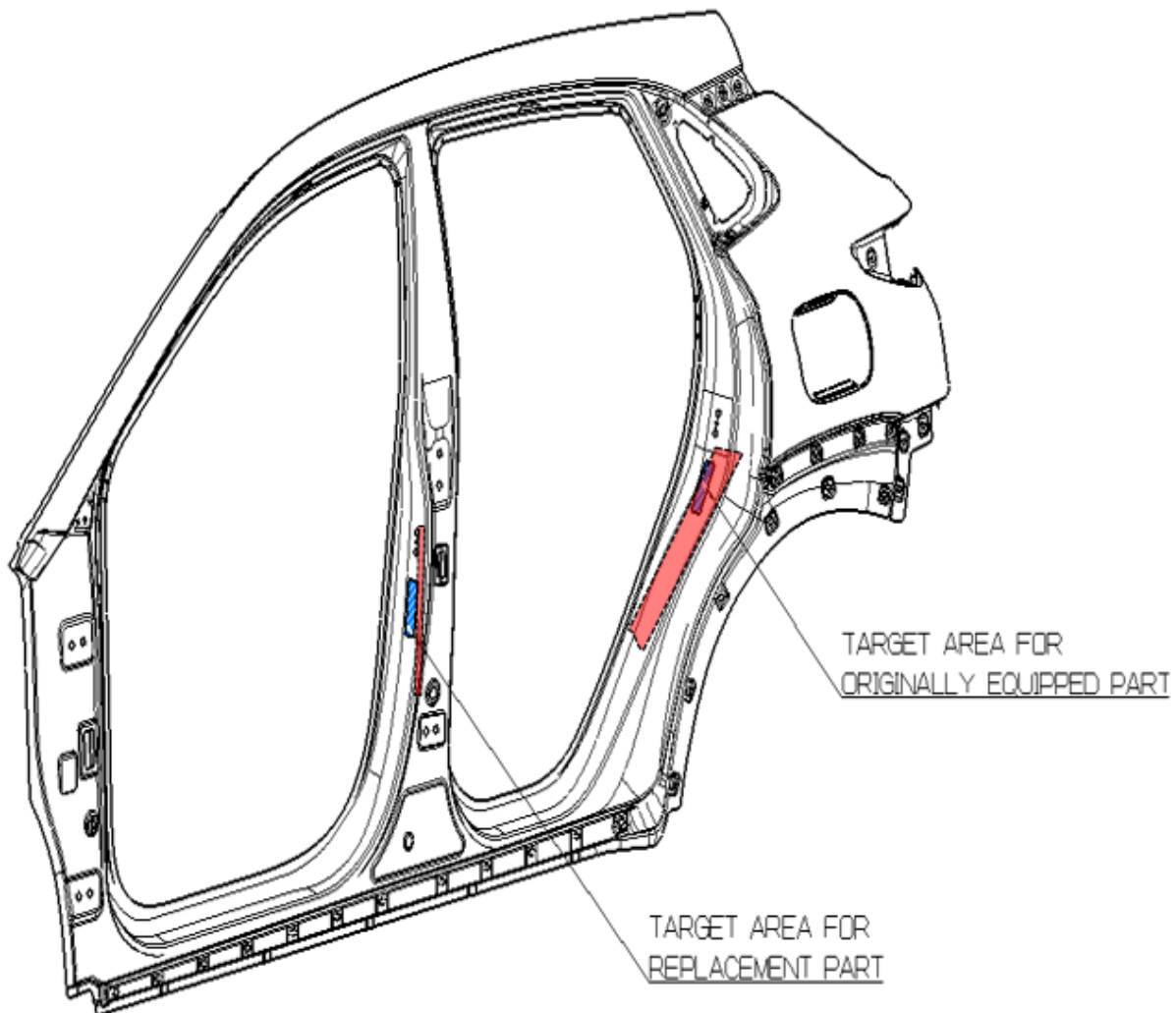


TARGET AREA FOR
ORIGINALLY EQUIPPED PART

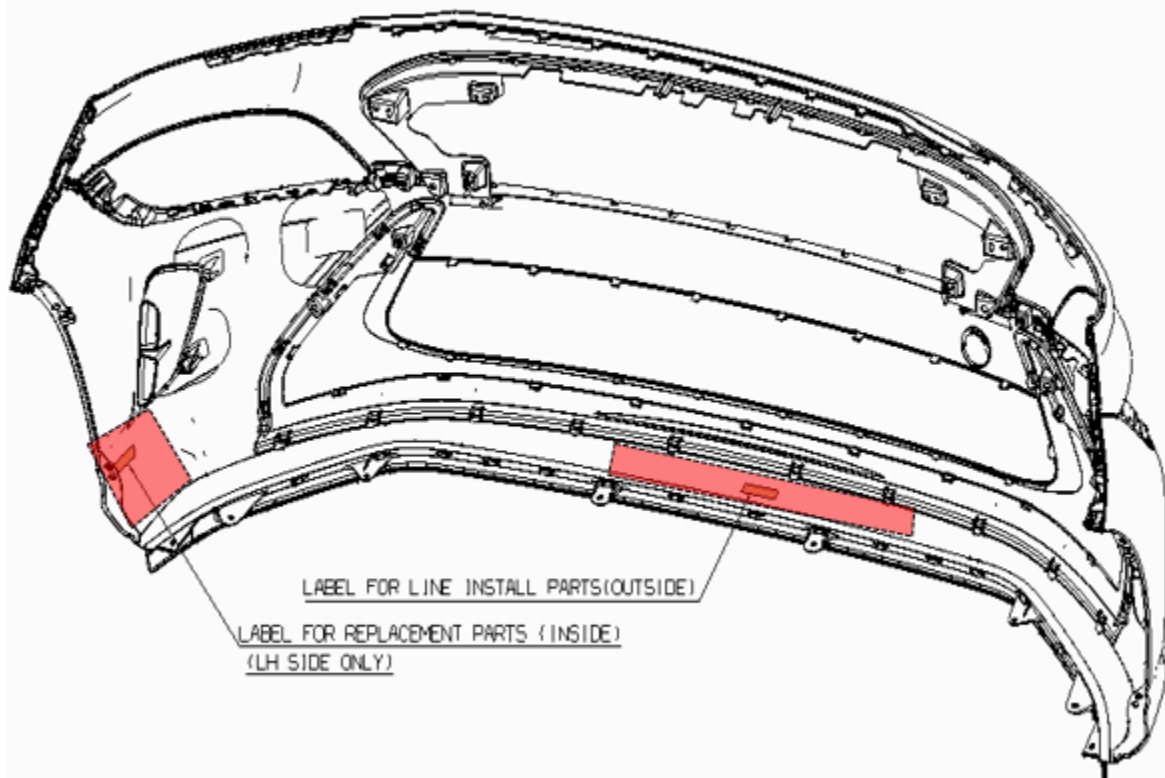
TARGET AREA FOR
REPLACEMENT PART

VIEW V

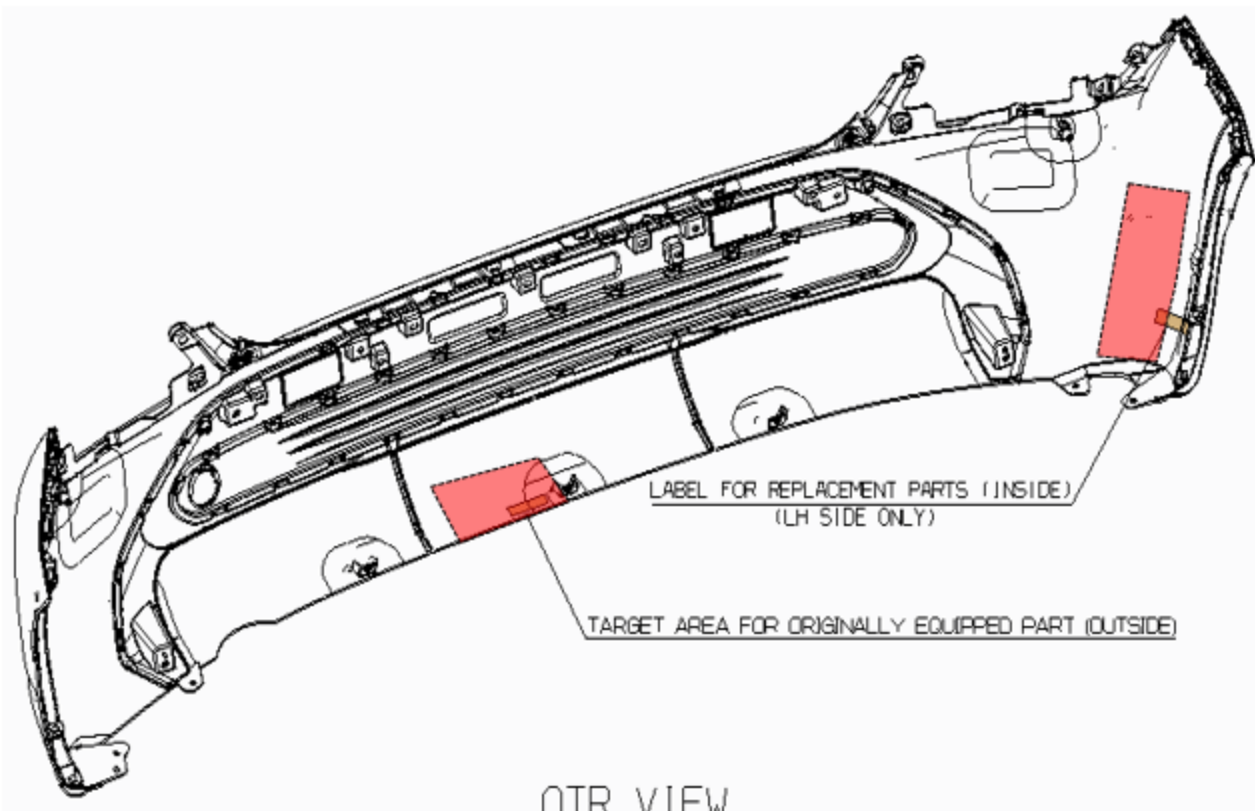
Side Outer Panel (LH/RH)



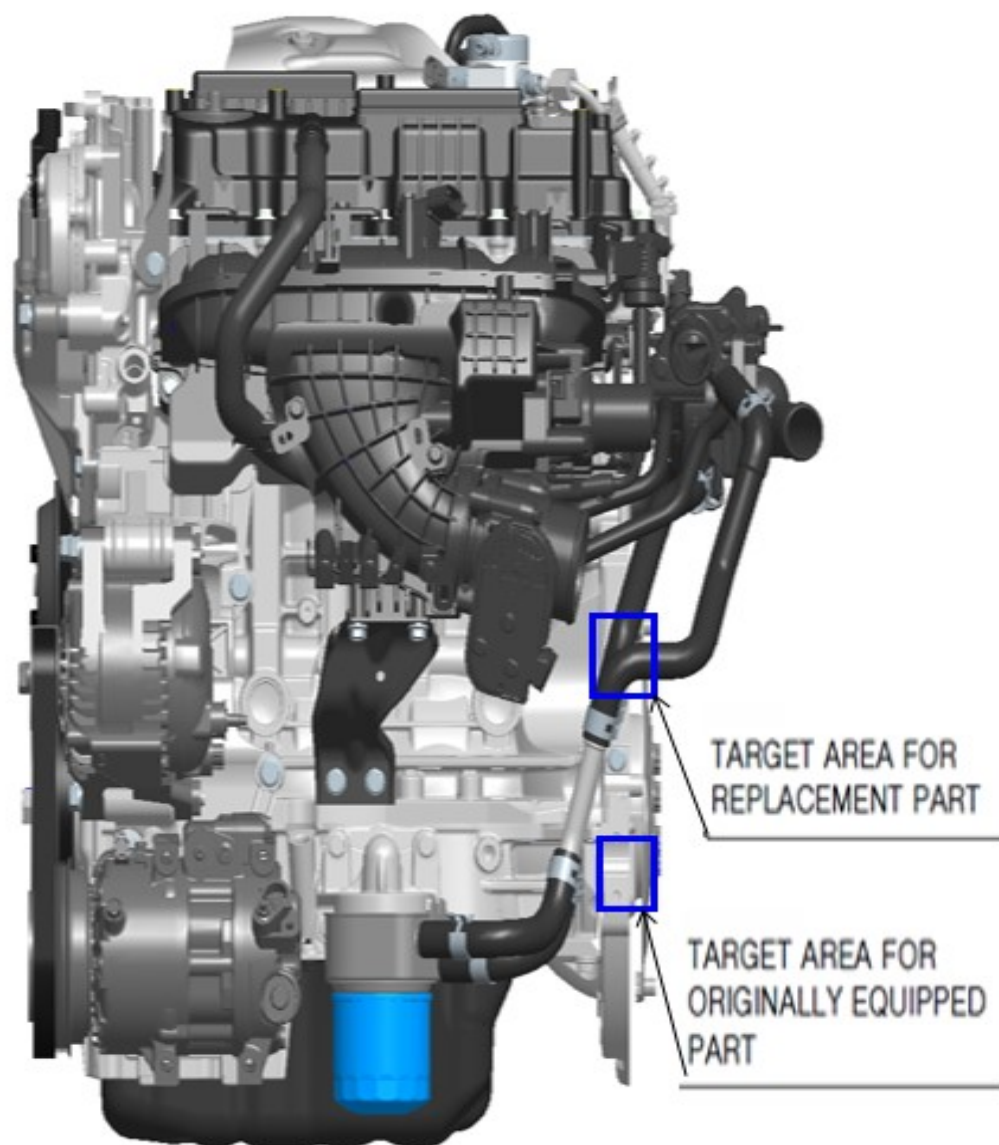
Front Bumper



Rear Bumper



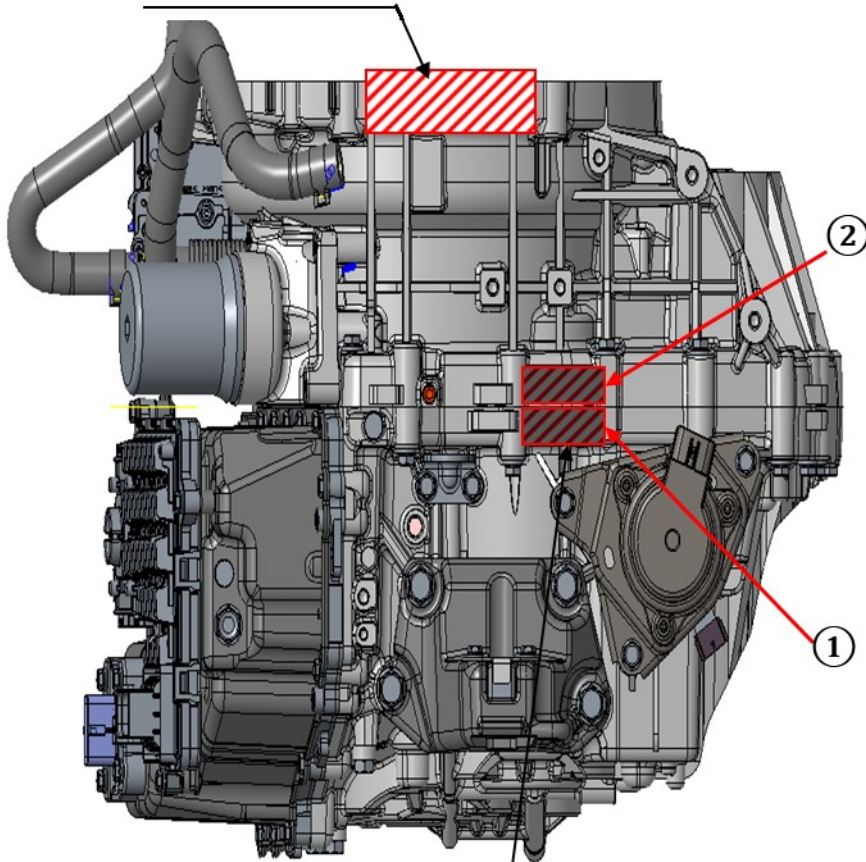
Engine (Theta II 2.0 T-GDI)



Transmission

(8DT2 for Theta II 2.0 T-GDI)

**TARGET AREA FOR
REPLACEMENT PART**



**TARGET AREA FOR
ORIGINALLY EQUIPPED
PART**

※ VIN plate for originally equipped part
will be attached to either ① or ②.