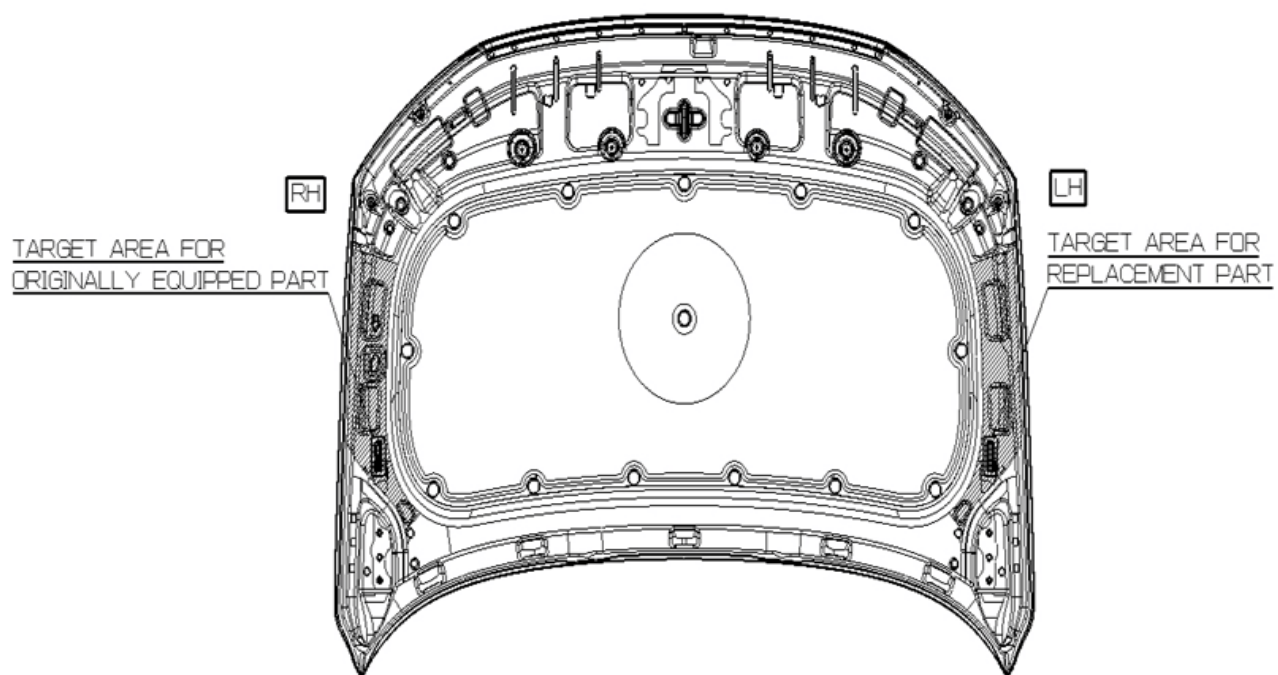


VIN marking area for Tucson Plug-in Hybrid model

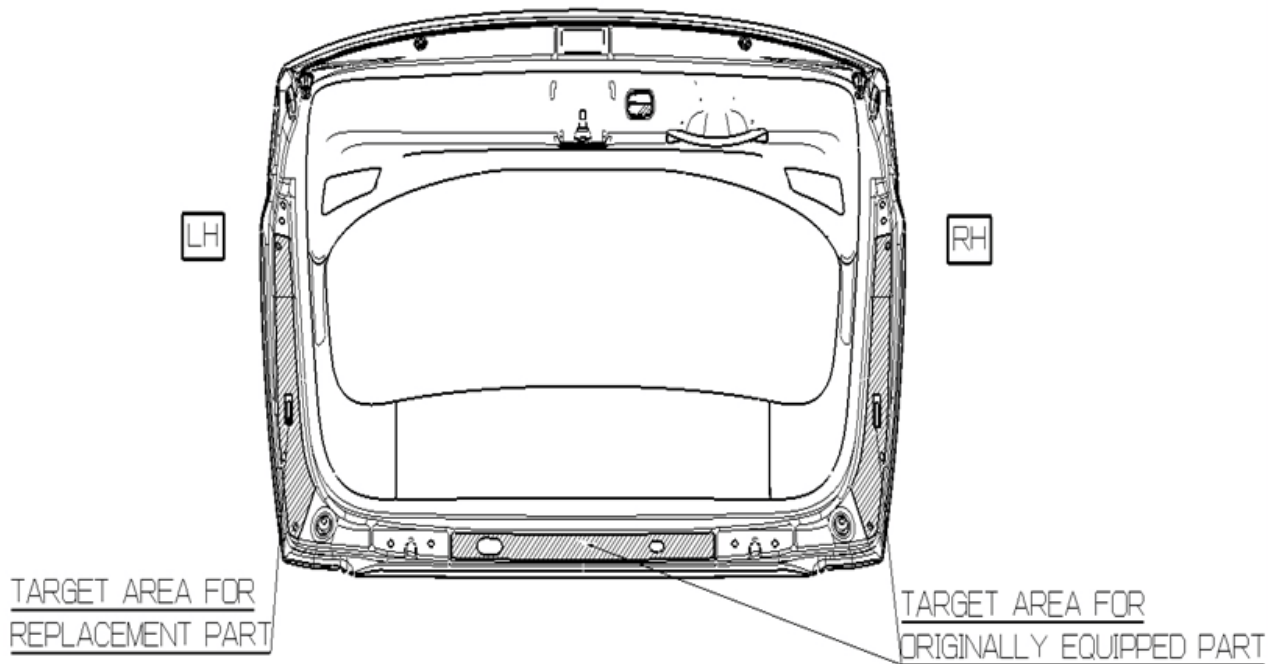
- 1. Hood**
- 2. Tail gate**
- 3. Front Fender (LH/RH)**
- 4. Front Door (LH/RH)**
- 5. Rear Door (LH/RH)**
- 6. Side Outer Panel (LH/RH)**
- 7. Front Bumper**
- 8. Rear Bumper**
- 9. Engine [G1.6 DOHC T-GDI GAMMA II]**
- 10. Transmission [AT]**



Hood



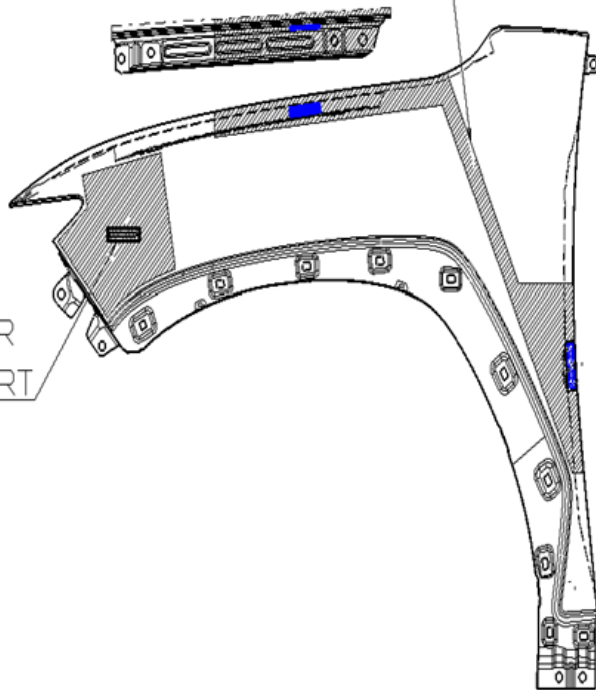
Tailgate



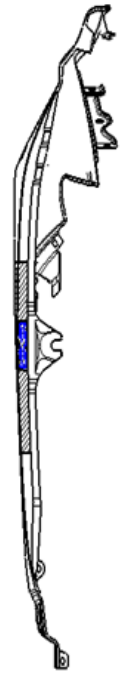
Front Fender (LH/RH)

TARGET AREA FOR
ORIGINALLY EQUIPPED PART

TARGET AREA FOR
REPLACEMENT PART



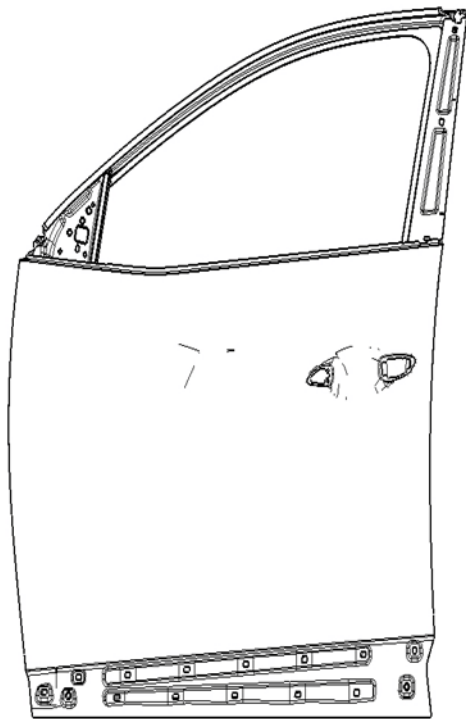
← "C"



PNL-FENDER, LH/RH

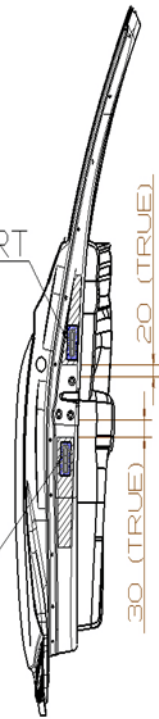
VIEW "C"
(REAR VIEW)

Front Door (LH/RH)

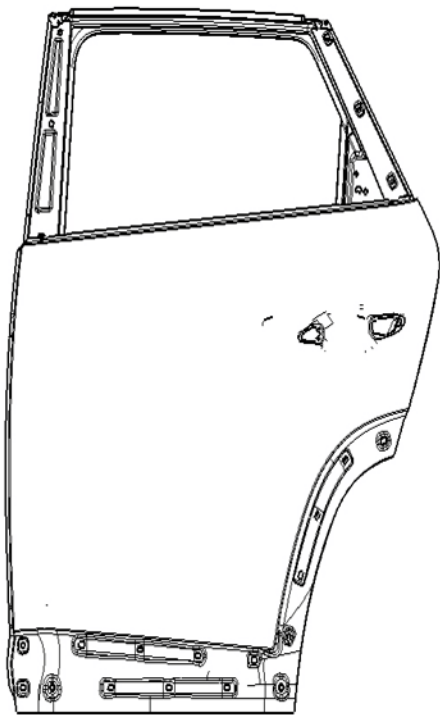


TARGET AREA FOR
ORIGINALLY EQUIPPED PART

TARGET AREA FOR
REPLACEMENT PART

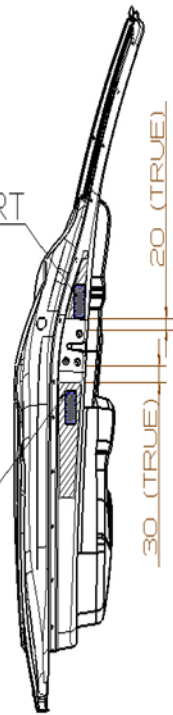


Rear Door (LH/RH)

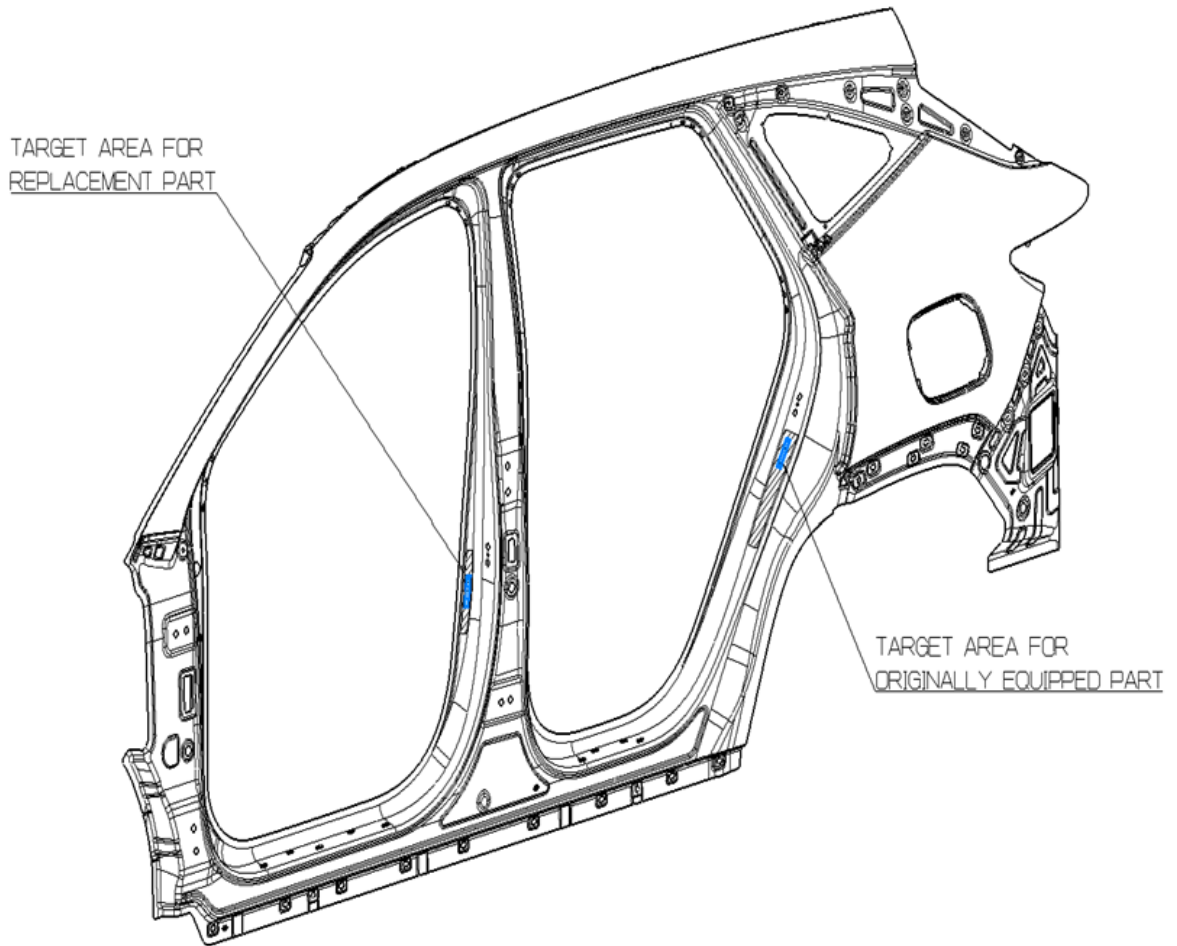


TARGET AREA FOR
ORIGINALLY EQUIPPED PART

TARGET AREA FOR
REPLACEMENT PART

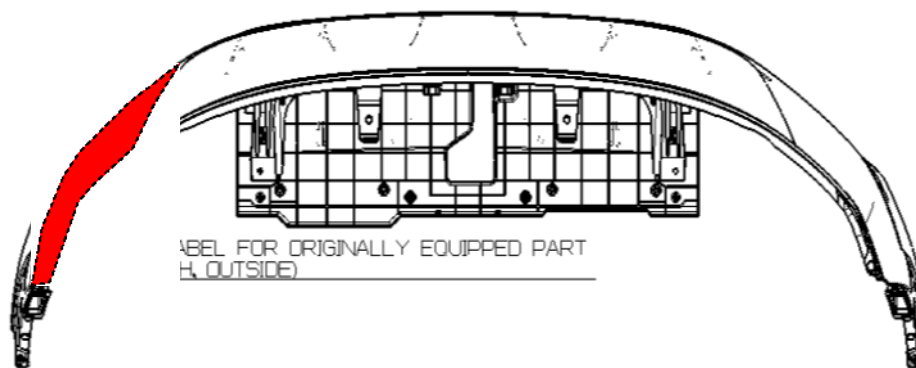


Side Outer Panel (LH/RH)

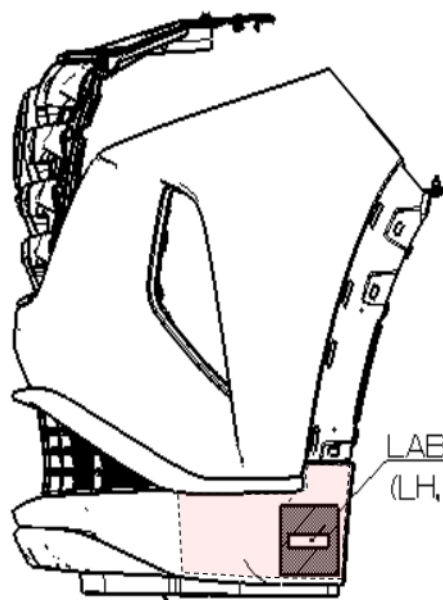


PNL-SIDE OTR, LH/RH

Front Bumper

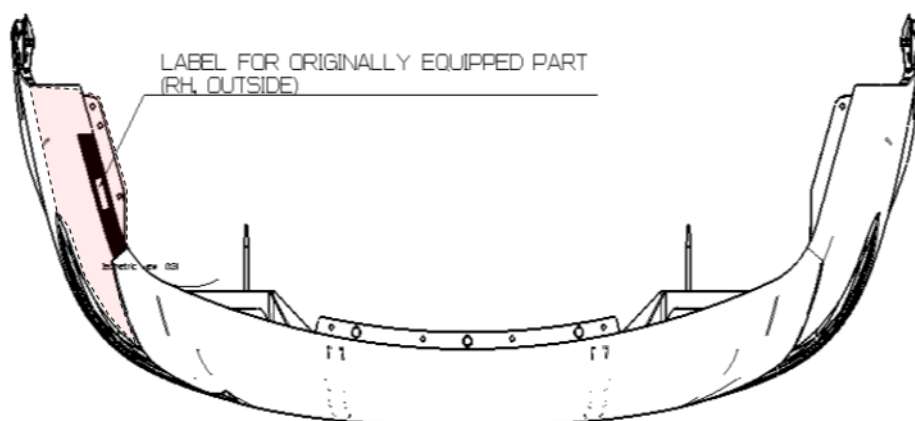


< FRONT BUMPER – BOTTOM VIEW >

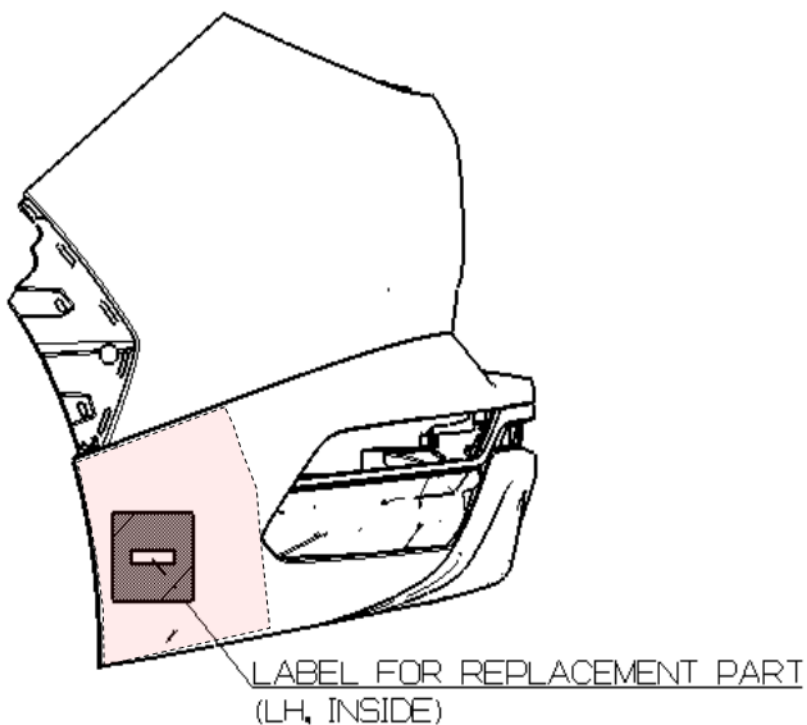


< FRONT BUMPER – SIDE VIEW >

Rear Bumper

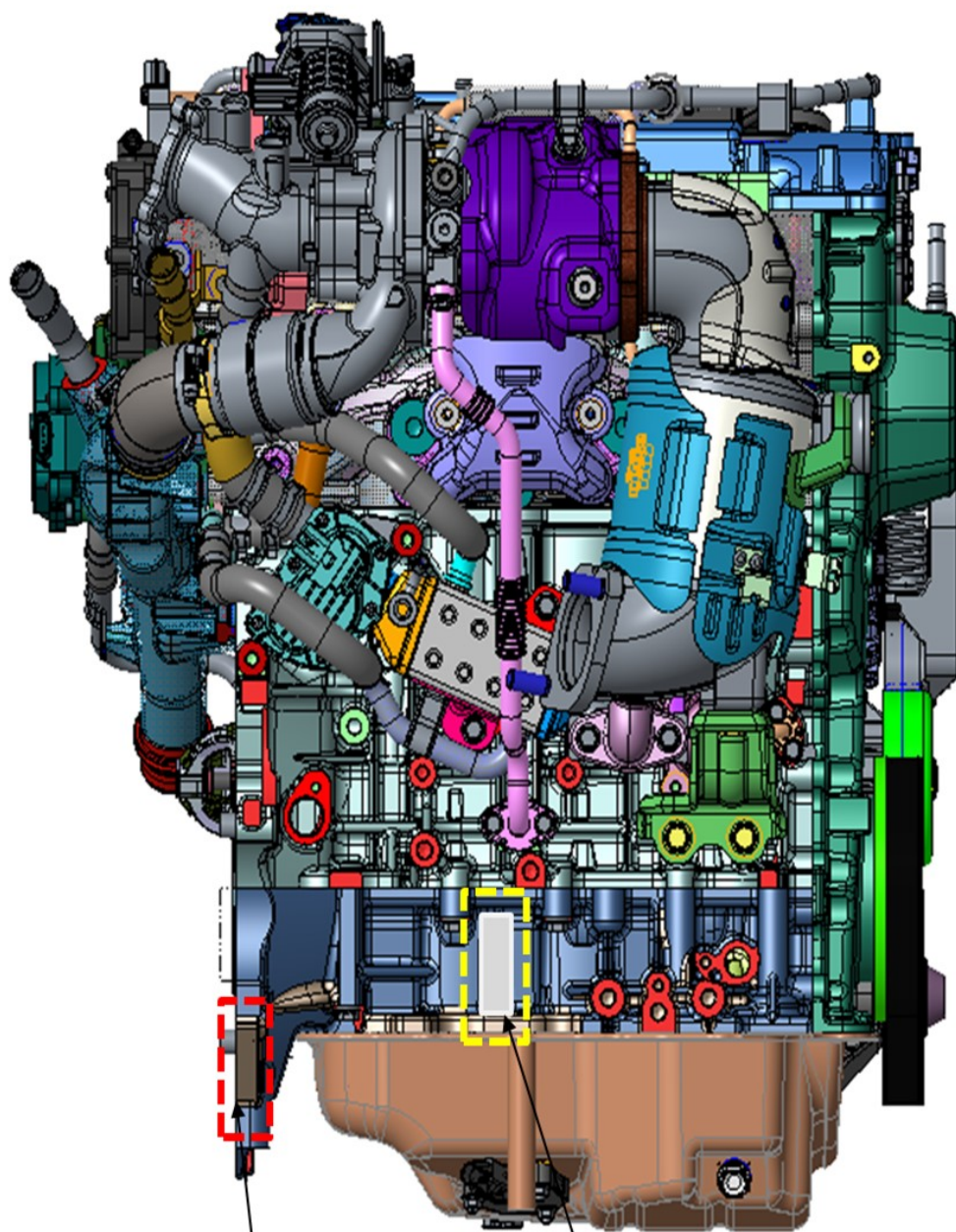


< REAR BUMPER - BOTTOM VIEW >



< REAR BUMPER - SIDE VIEW >

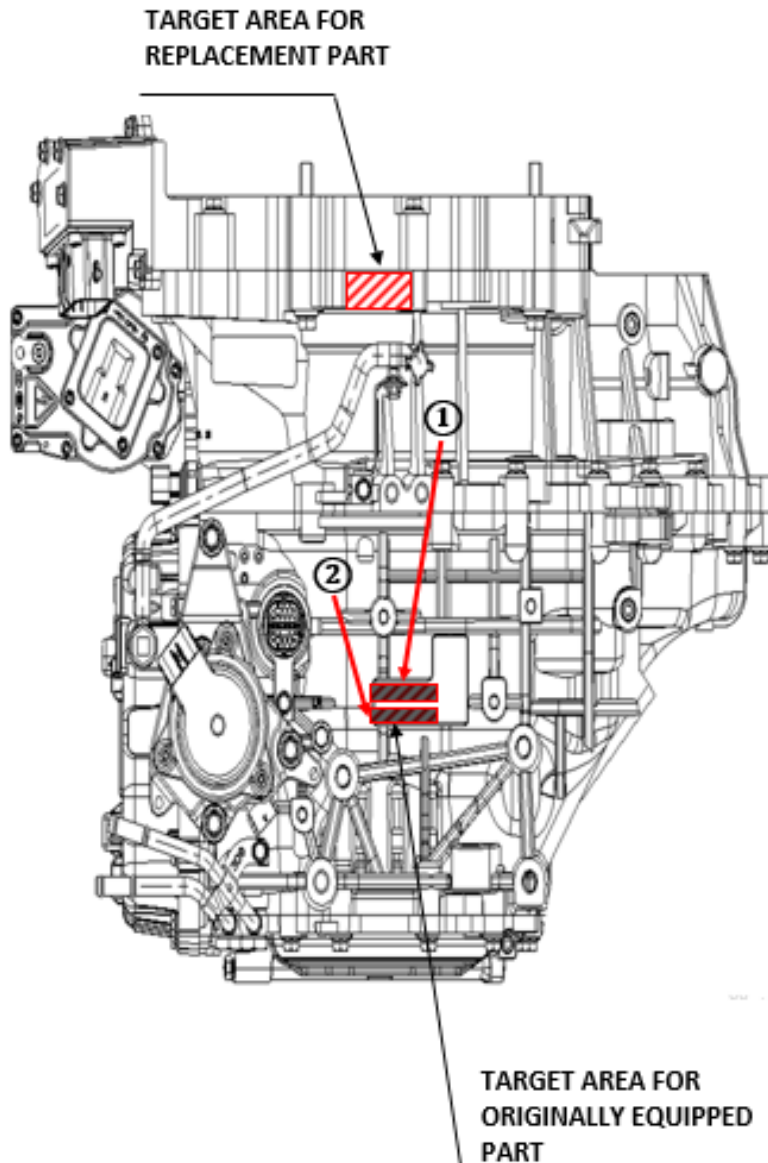
Engine (1.6 T-GDI PHEV)



**TARGET AREA FOR
REPLACEMENT PART**

**TARGET AREA FOR
ORIGINALLY EQUIPPED PART**

Transmission (8AT)



※ VIN plate for originally equipped part
will be attached to either ① or ②.