

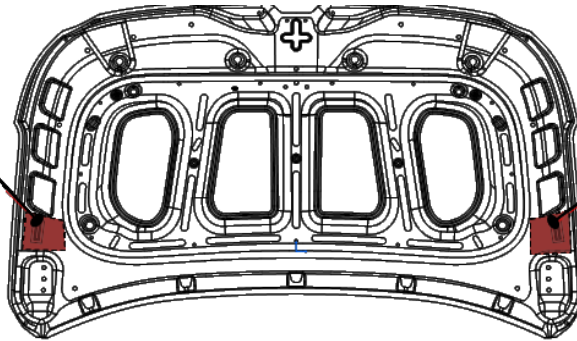
VIN marking area for Santa Fe Plug-in Hybrid model

1. Hood
2. Tailgate
3. Front Fender [LH/RH]
4. Front Door [LH/RH]
5. Rear Door [LH/RH]
6. Side Outer Panel [LH/RH]
7. Front Bumper
8. Rear Bumper
9. Engine [1.6 T-GDI]
10. Transmission [AT]



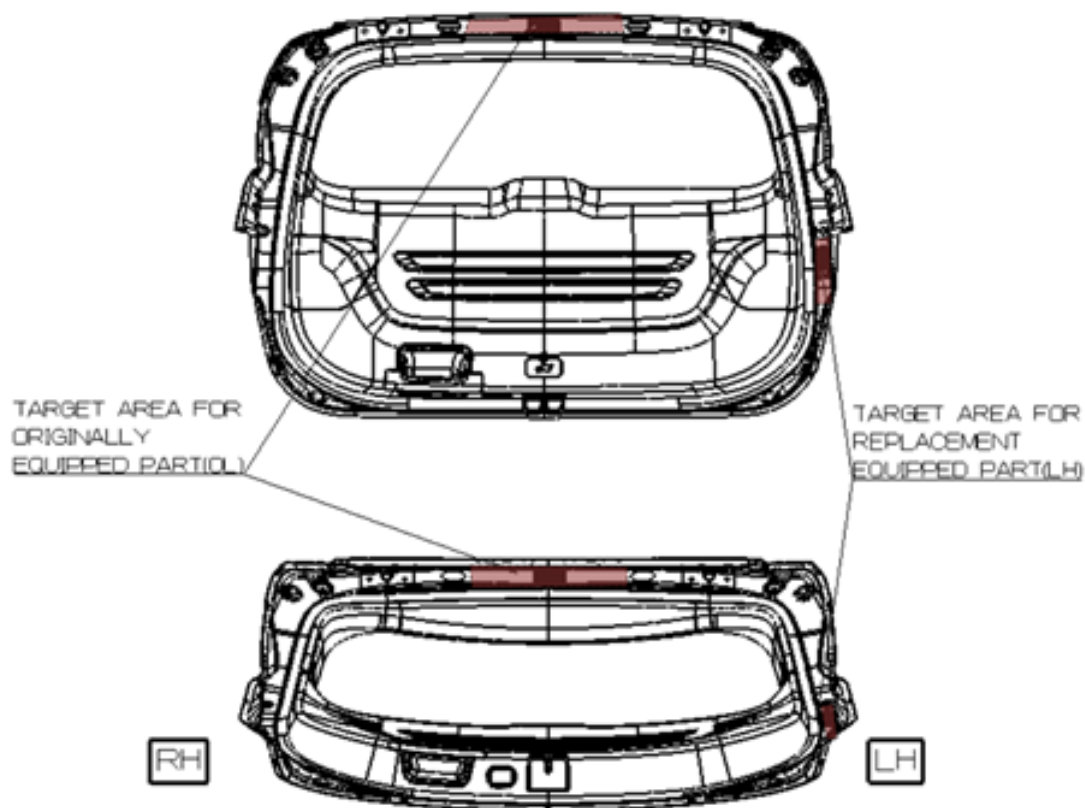
Hood

TARGET AREA FOR
ORIGINALLY EQUIPPED PART
(RH SIDE)

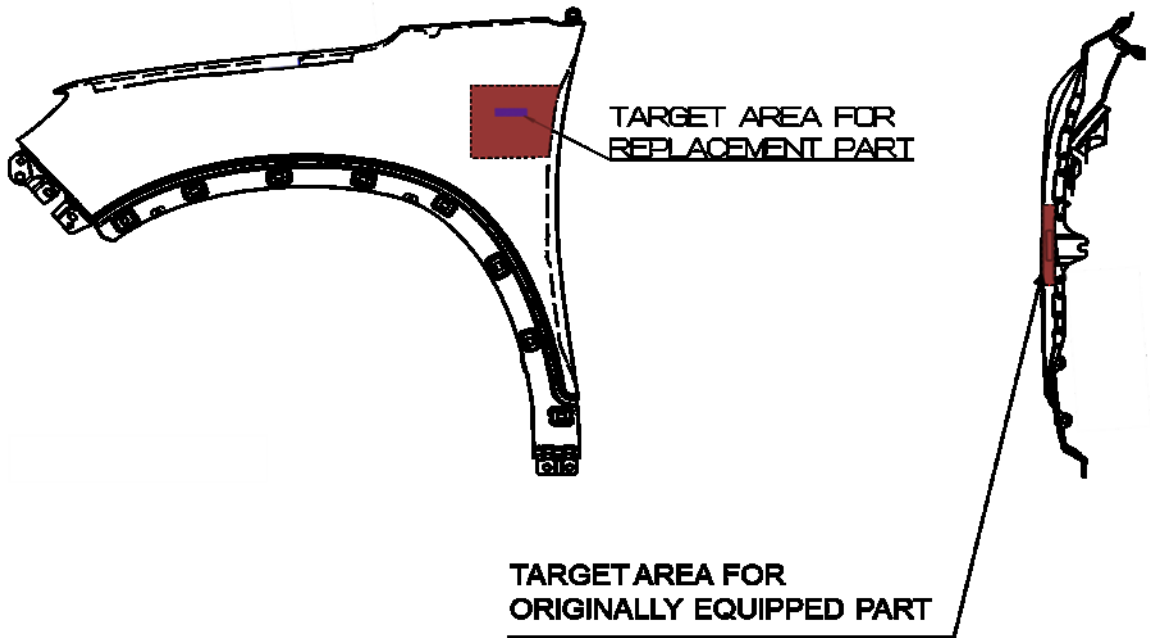


TARGET AREA FOR
REPLACEMENT PART
(LH SIDE)

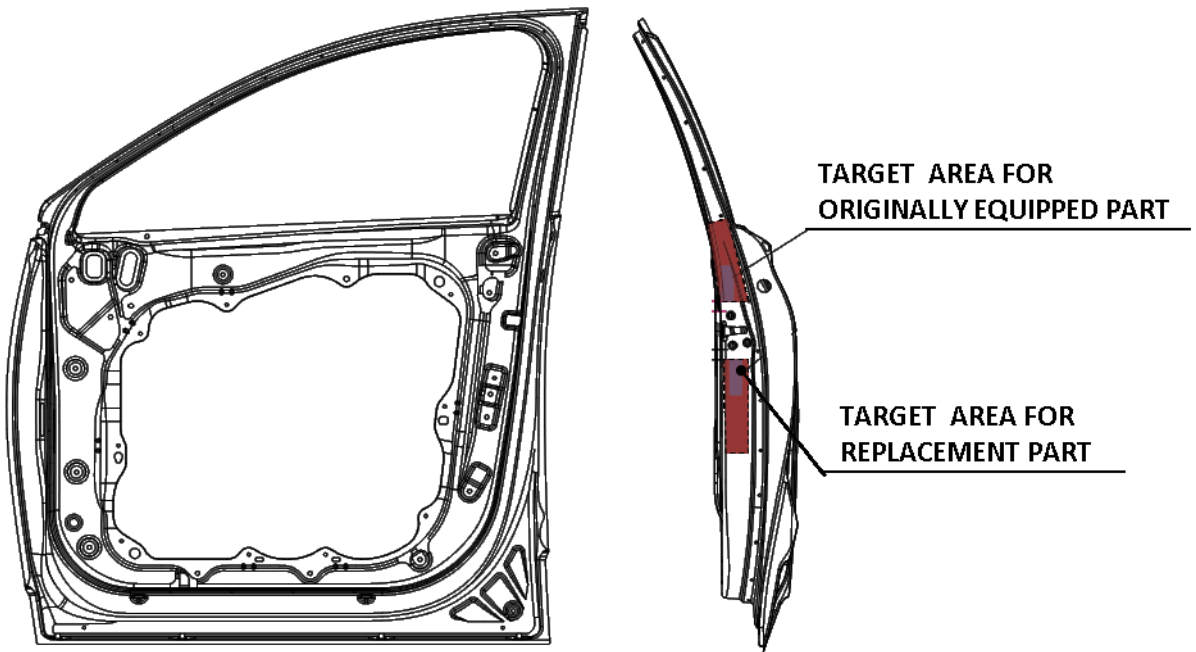
Tailgate



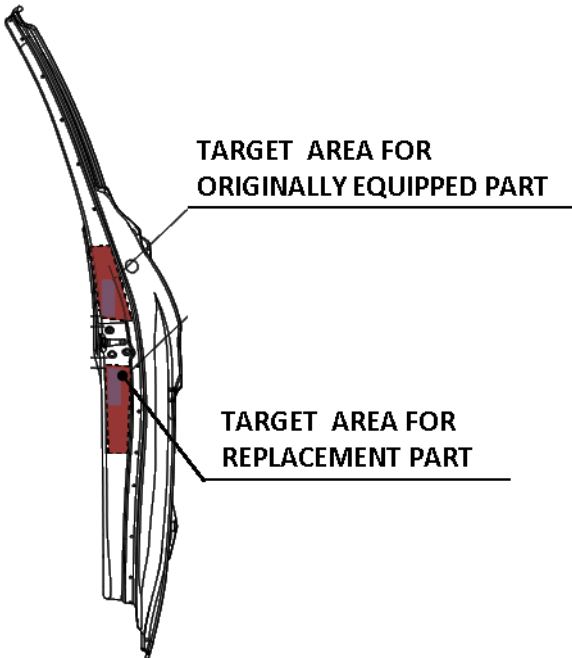
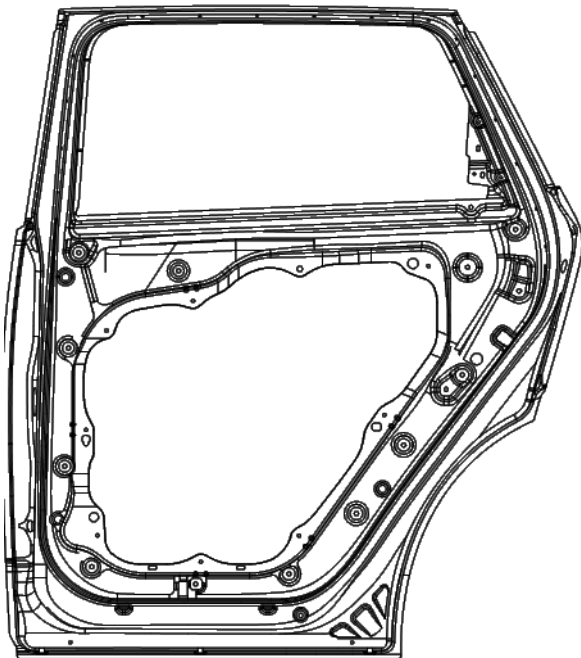
Front Fender (LH/RH)



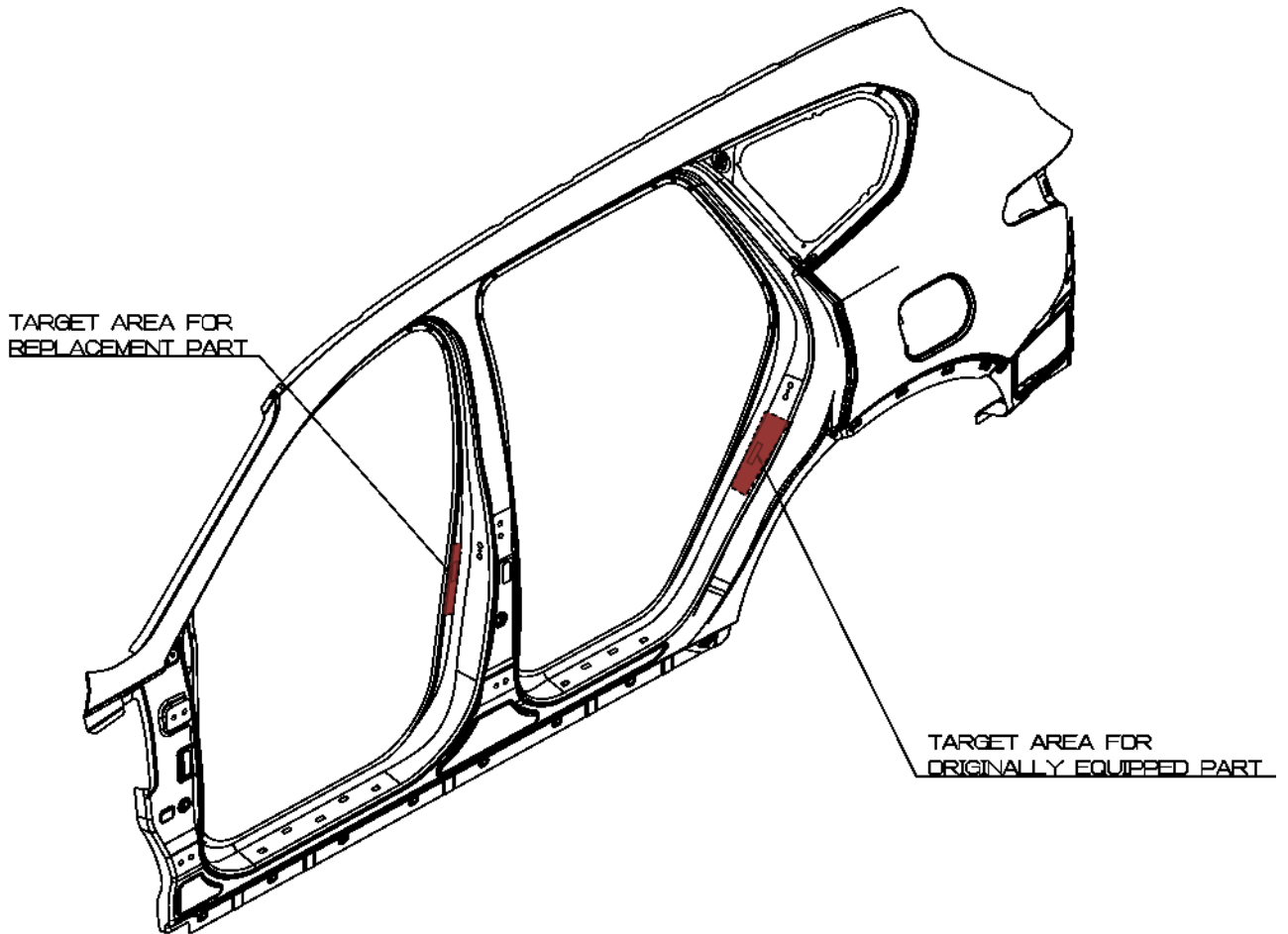
Front Door (LH/RH)



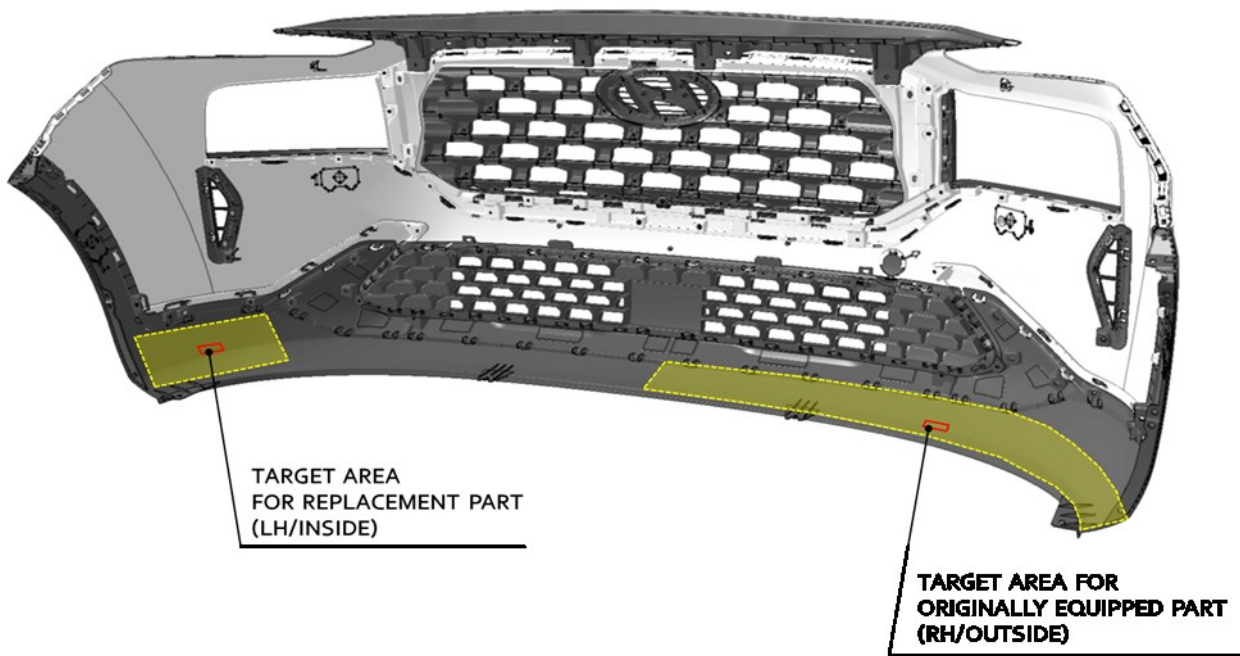
Rear Door (LH/RH)



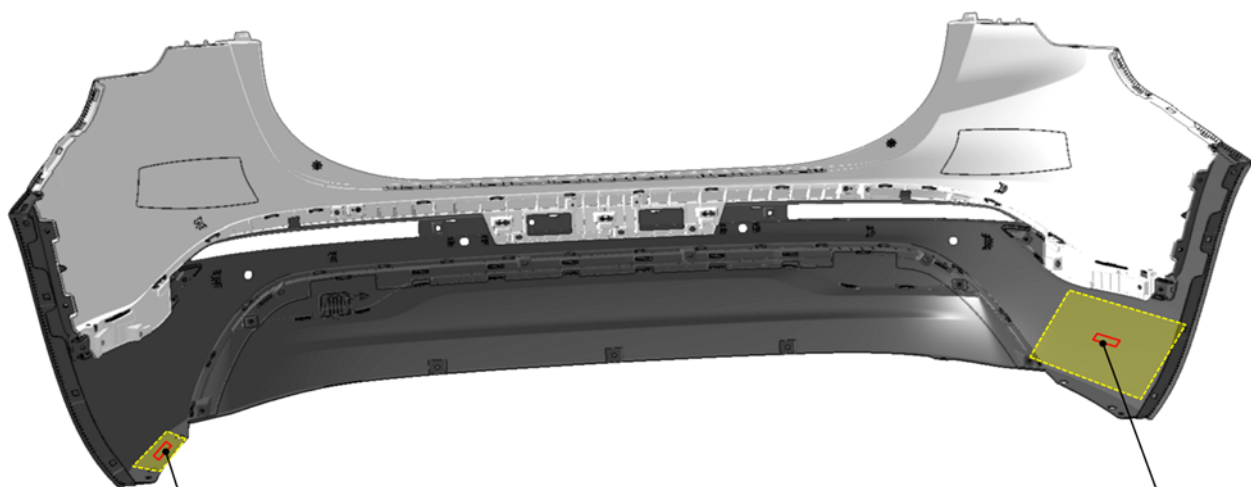
Side Outer Panel (LH/RH)



Front Bumper



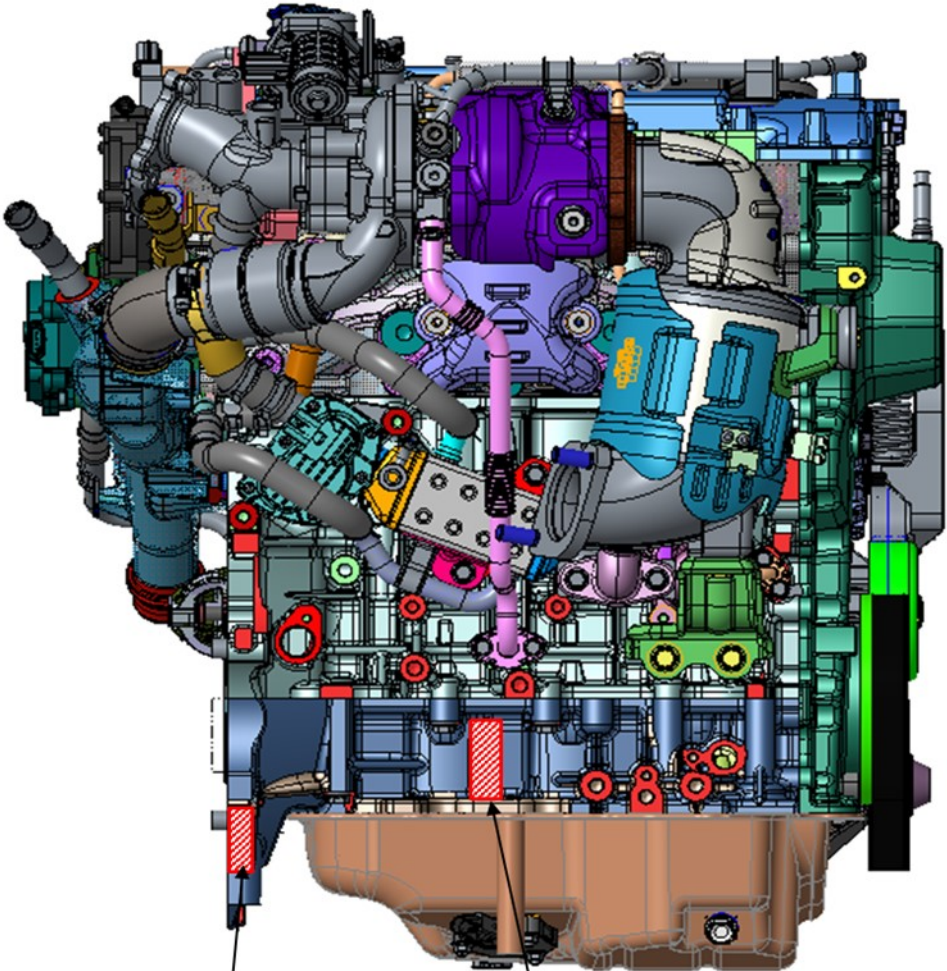
Rear Bumper



**TARGET AREA
FOR ORIGINALLY EQUIPPED PART
(RH/OUTSIDE)**

**TARGET AREA
FOR REPLACEMENT PART
(LH/INSIDE)**

Engine (1.6 T-GDI)

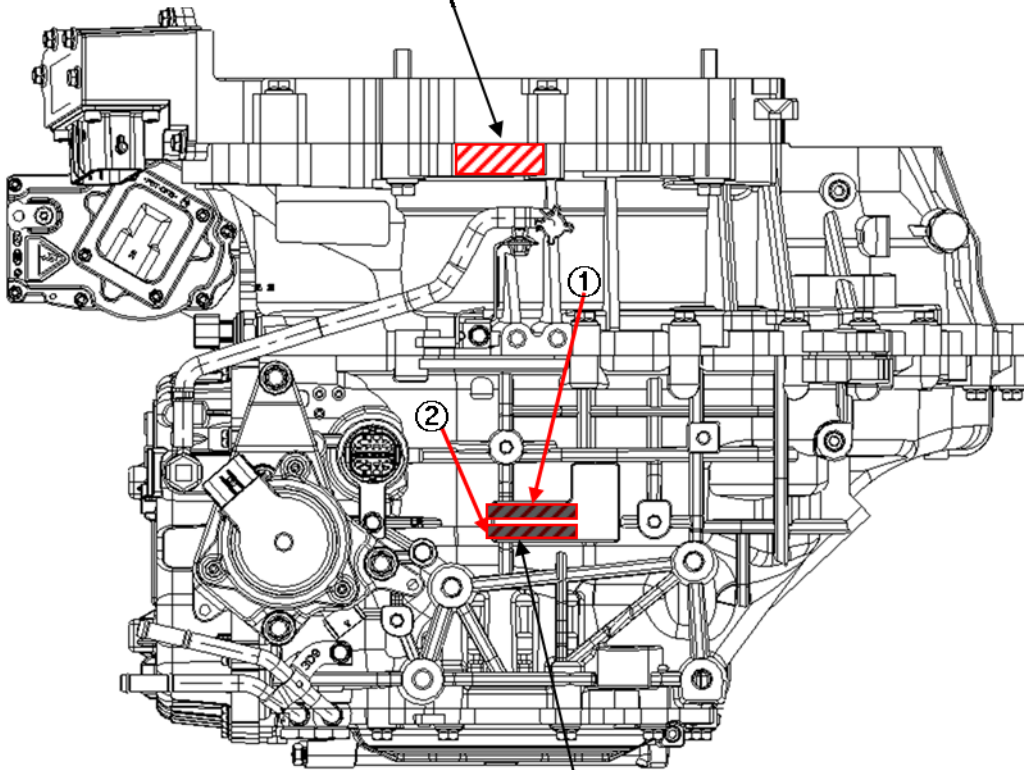


**TARGET AREA FOR
ORIGINALLY EQUIPPED PART**

**TARGET AREA FOR
REPLACEMENT PART**

Transmission (Automatic)

TARGET AREA FOR
REPLACEMENT PART



TARGET AREA FOR
ORIGINALLY EQUIPPED PART

※ VIN plate for originally equipped part
will be attached to either ① or ②.