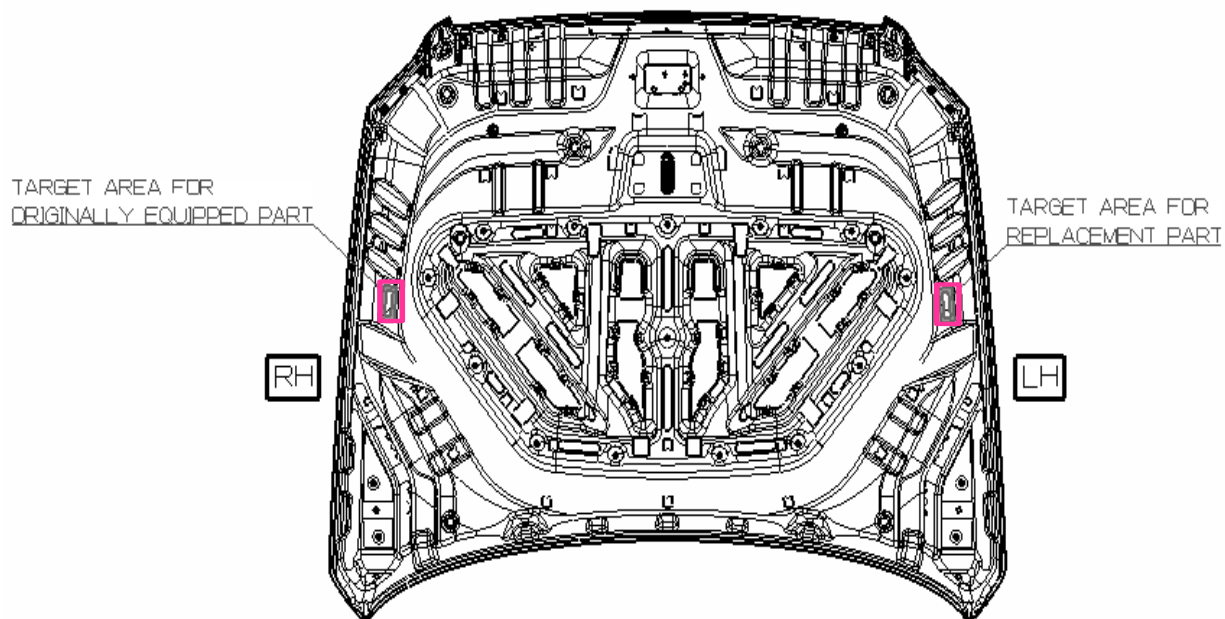


## **VIN marking area for GV70 model**

1. Hood
2. Tailgate
3. Front Fender (LH/RH)
4. Front Door (LH/RH)
5. Rear Door (LH/RH)
6. Side Outer Panel (LH/RH)
7. Front Bumper
8. Rear Bumper
9. Engine [2.5 T-GDI, 3.5 T-GDI)
10. Transmission [AT]



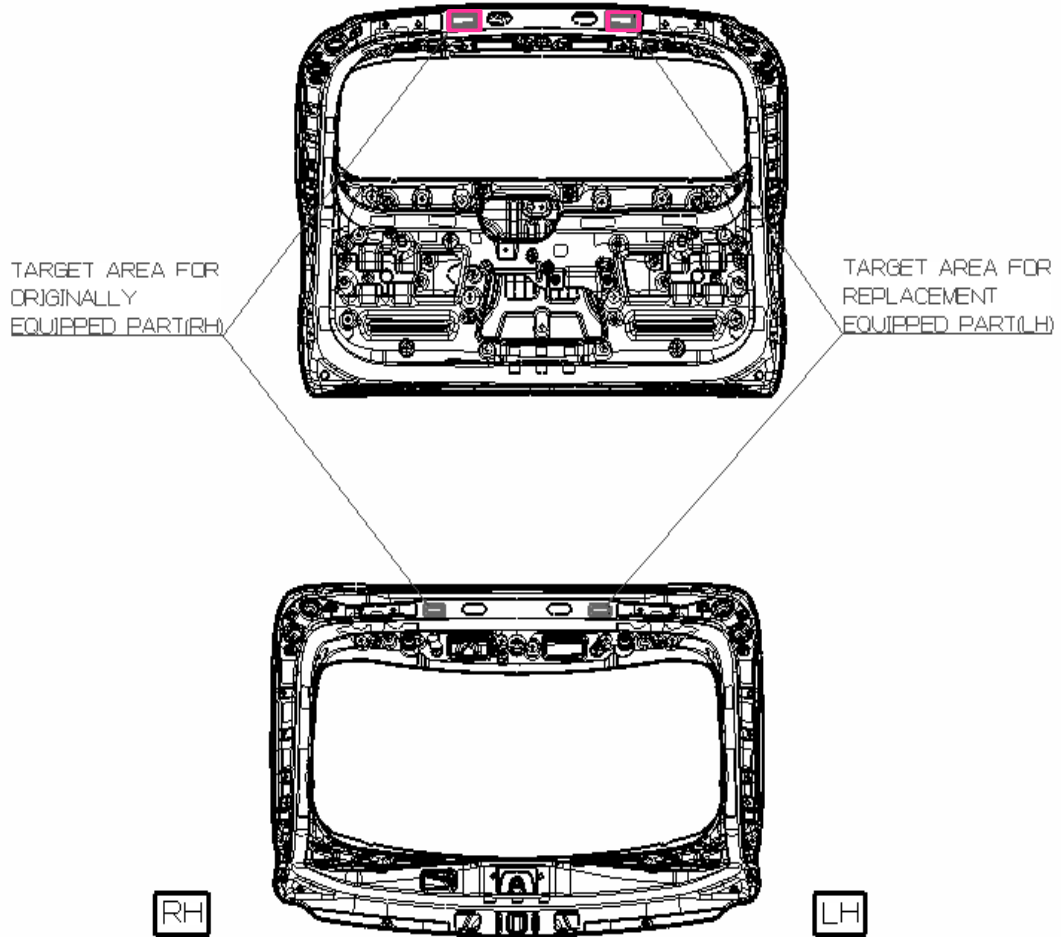
# Hood



RH: Passenger Side

LH: Driver Side

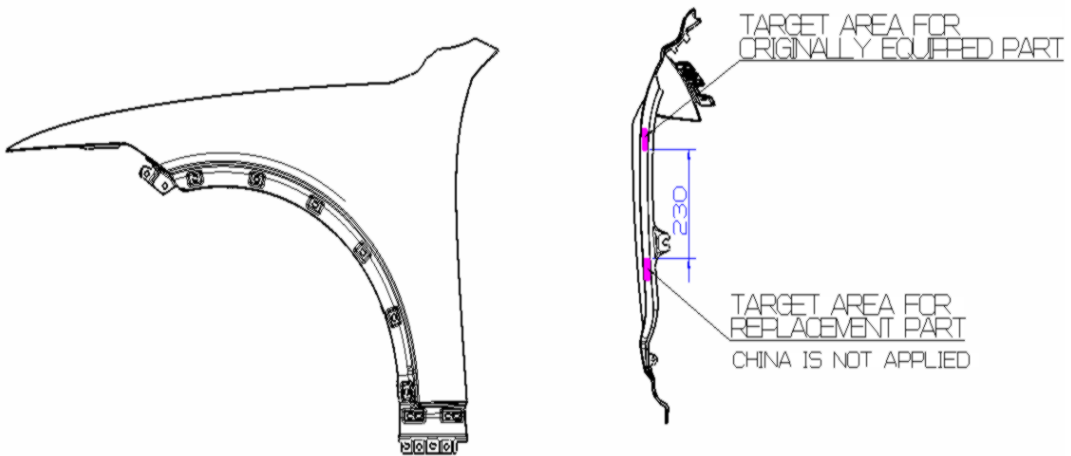
# Tail Gate



RH: Passenger Side

LH: Driver Side

# Front Fender (LH/RH)



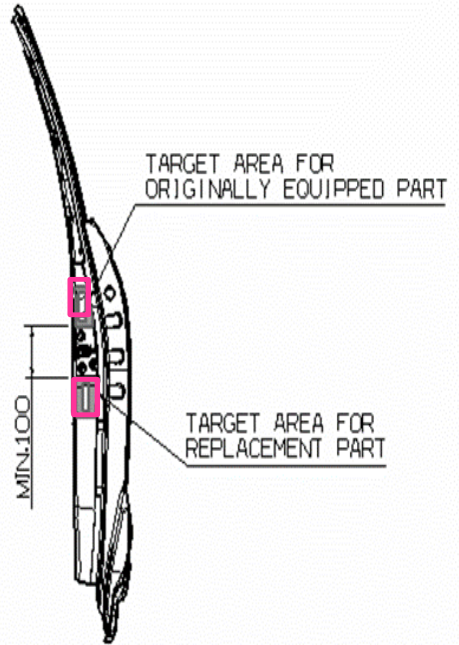
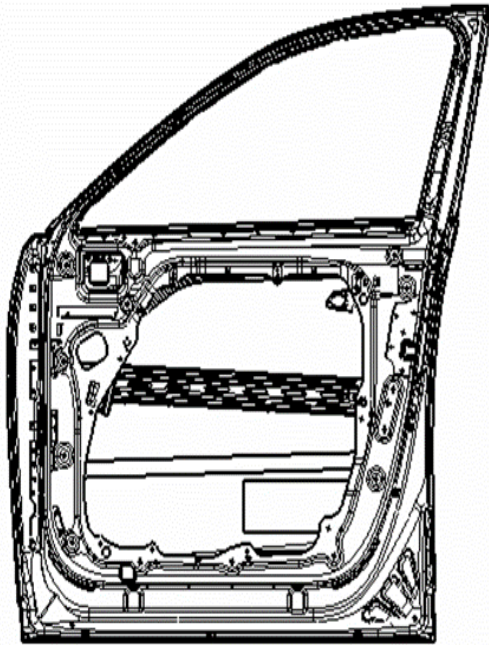
## DETAIL Z

P.N.L ASSY-FENDER

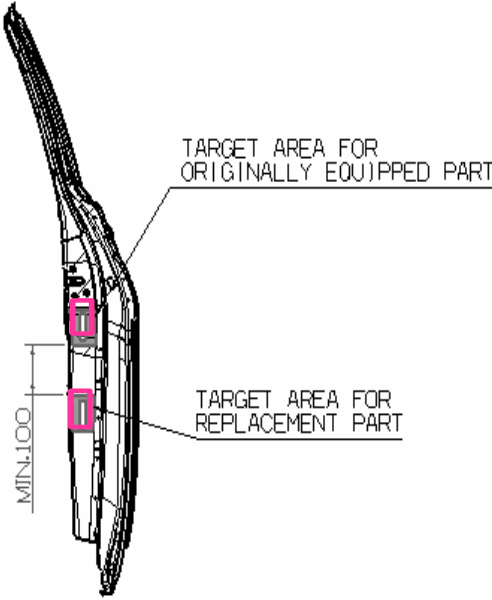
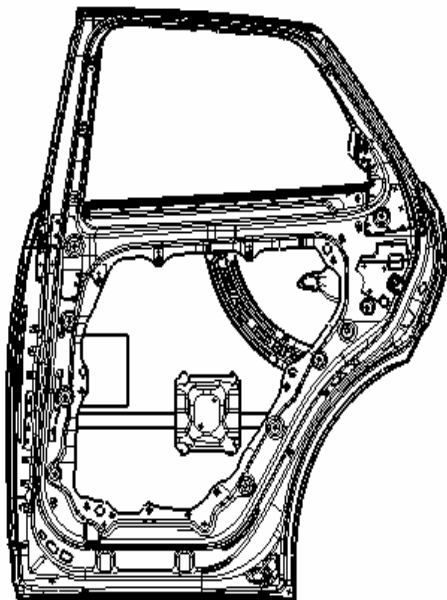
<APPLIED AREA>

- CHINA : P.N.L ASSY-FENDER, RH
- EXCEPT OF CHINA : P.N.L ASSY-FENDER, LH/RH

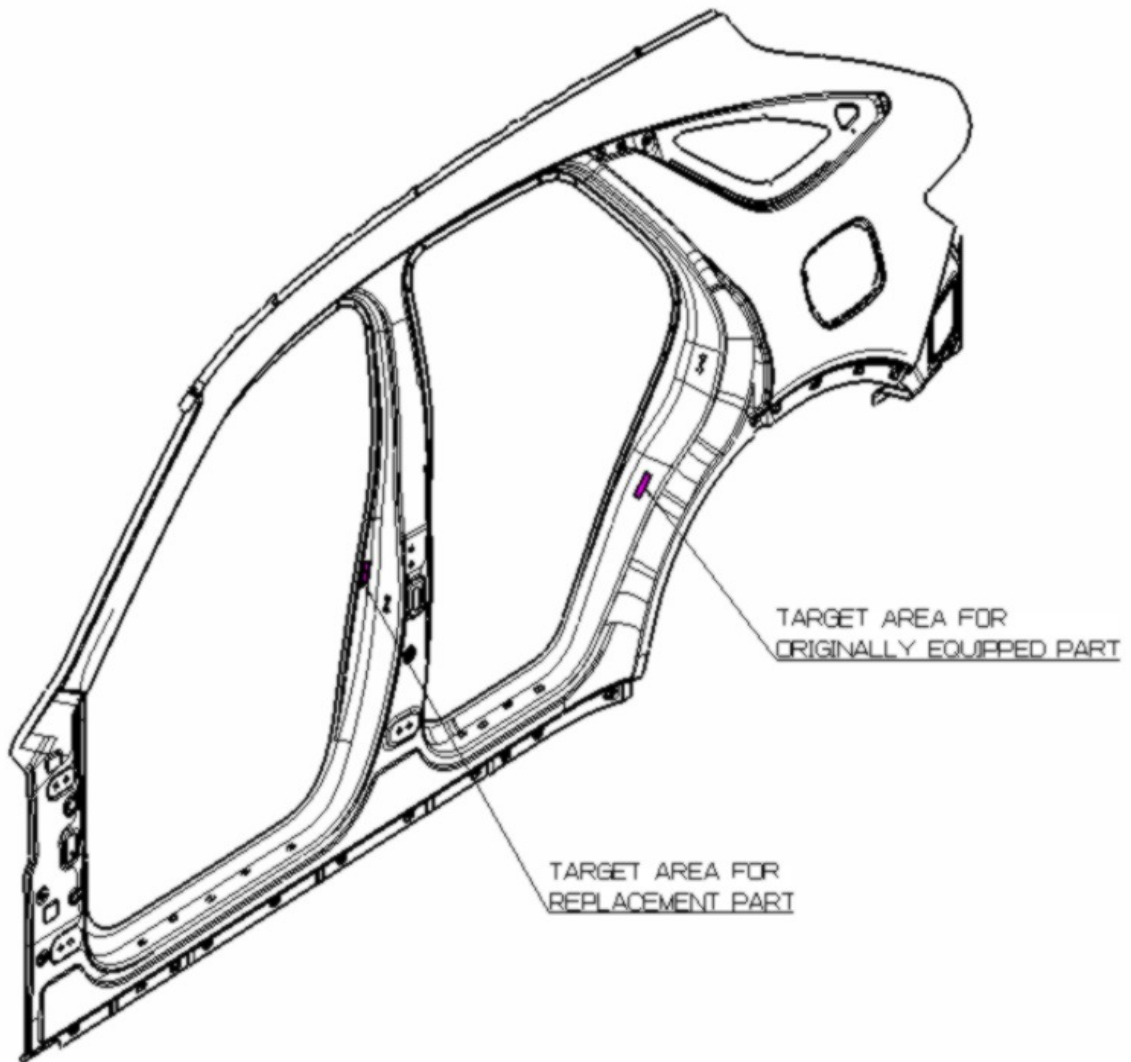
# Front Door (LH/RH)



# Rear Door (LH/RH)



## Side Outer Panel (LH/RH)



### DETAIL W

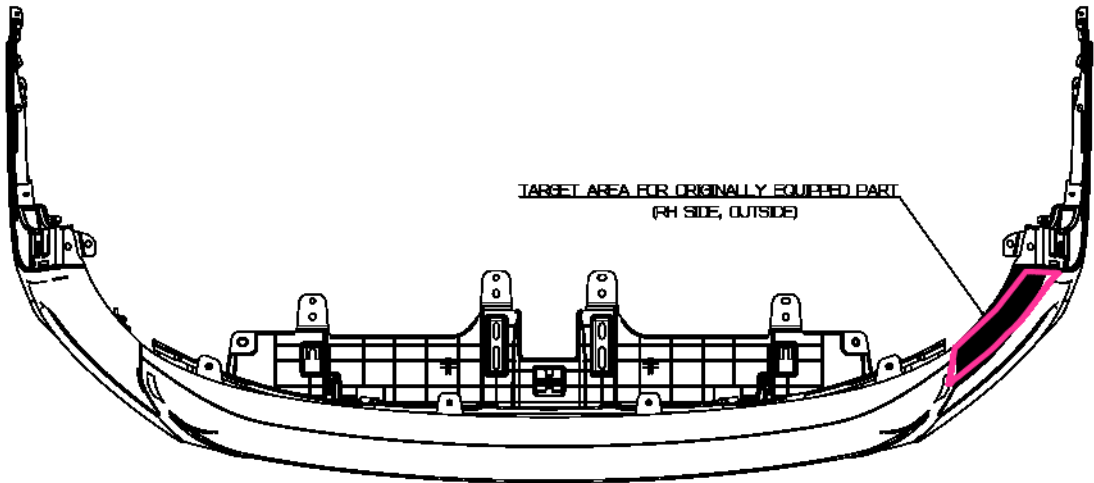
PNL ASSY-SIDE OTR, LH/RH

<APPLIED AREA>

- CHINA : NOT APPLIED

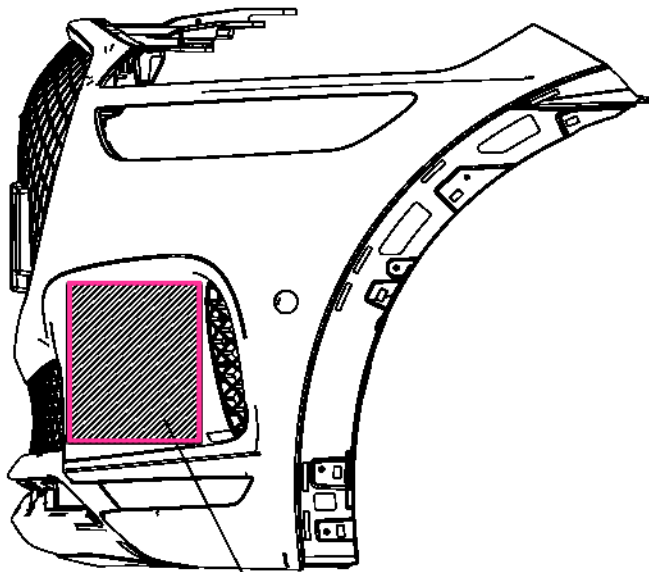
- EXCEPT OF CHINA : PNL ASSY-SIDE OTR, LH/RH

# Front Bumper



TARGET AREA FOR ORIGINALLY EQUIPPED PART  
(RH SIDE, OUTSIDE)

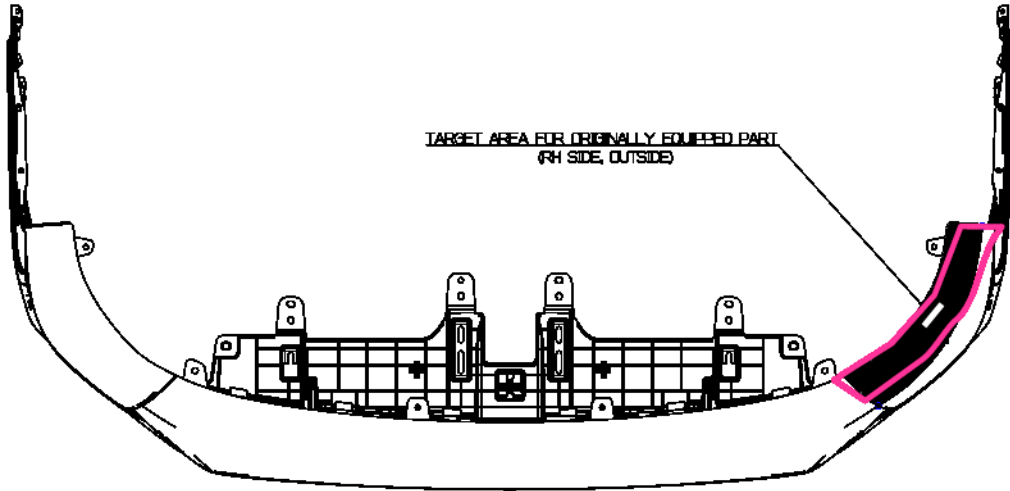
BOTTOM VIEW



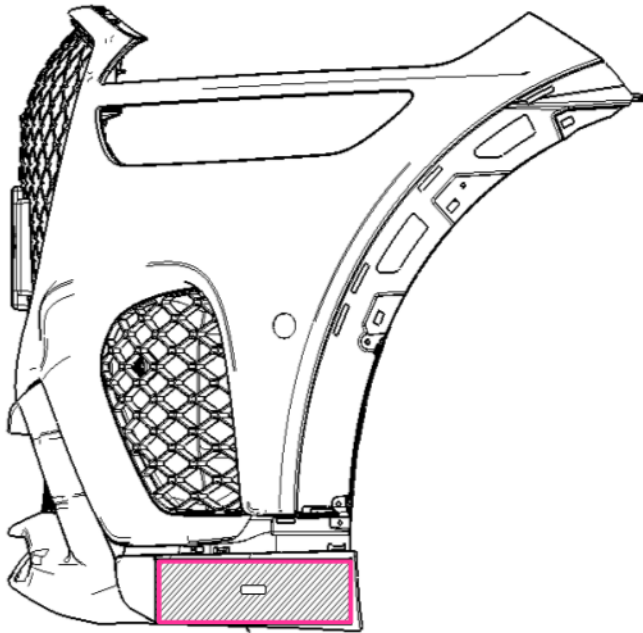
TARGET AREA FOR REPLACEMENT PART (INSIDE)  
(LH SIDE, INSIDE)



# Front Bumper (Sport)

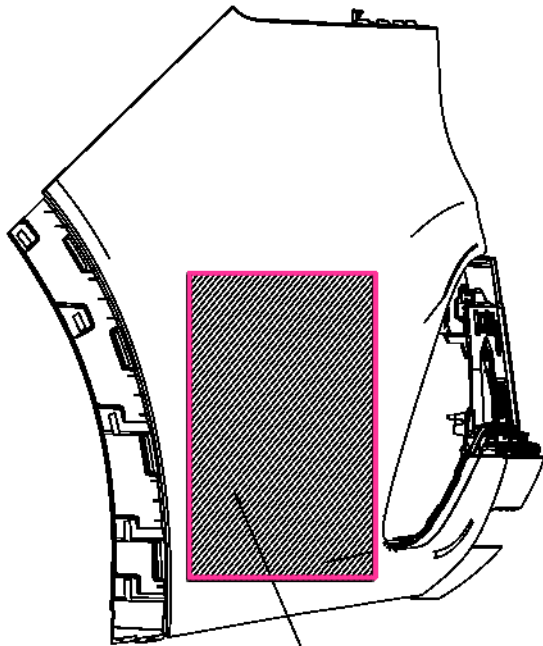
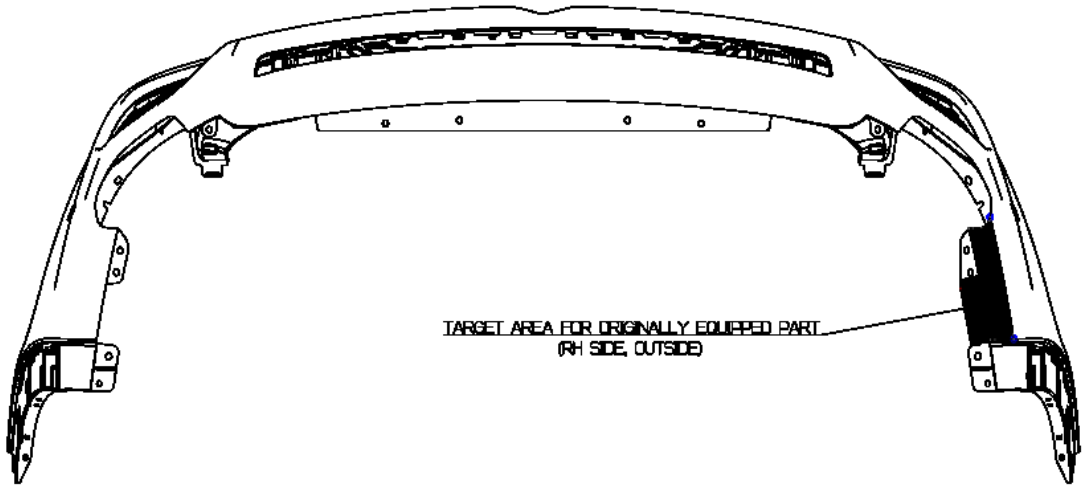


BOTTOM VIEW



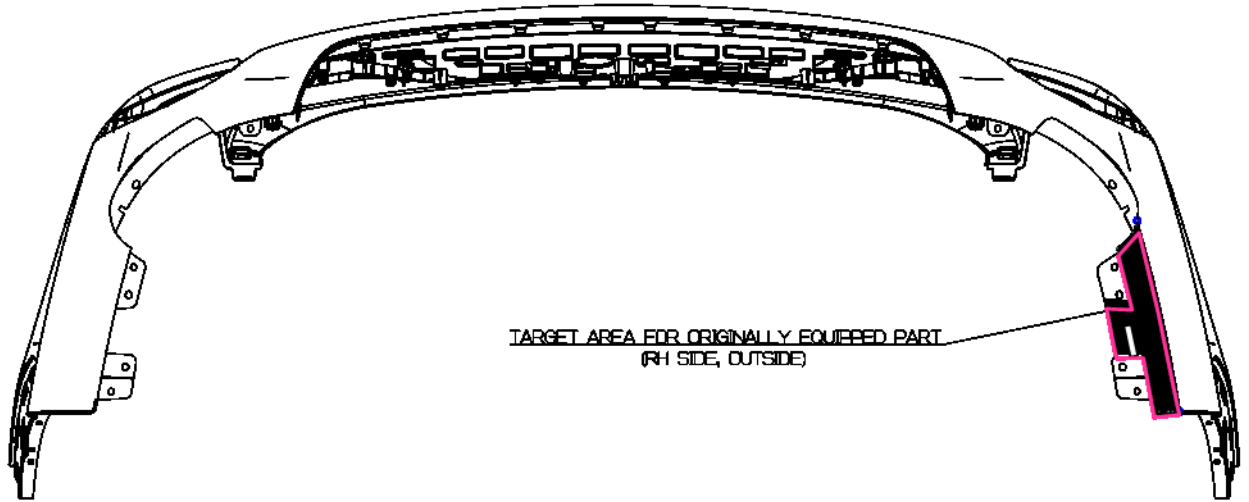
TARGET AREA FOR REPLACEMENT PART (INSIDE)  
(LH SIDE, INSIDE)

# Rear Bumper

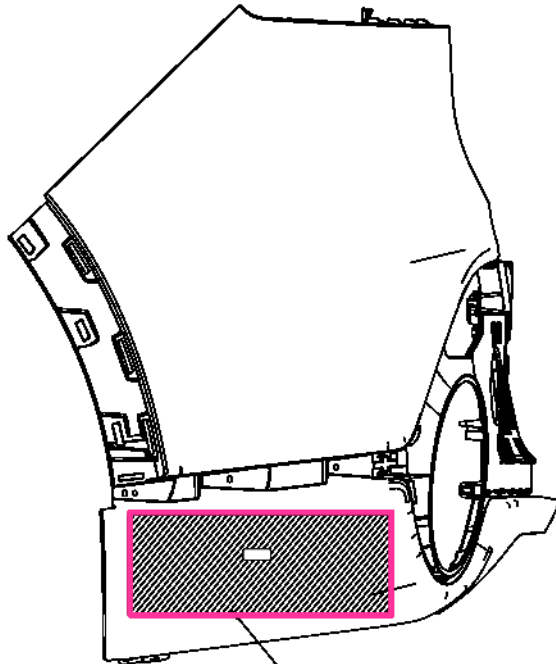


TARGET AREA FOR REPLACEMENT PART (INSIDE)  
(LH SIDE, INSIDE)

# Rear Bumper (Sport\_Gas)



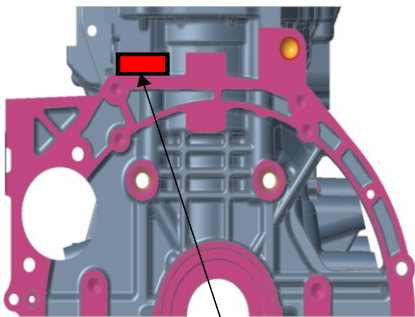
TARGET AREA FOR ORIGINALLY EQUIPPED PART  
(RH SIDE, OUTSIDE)



TARGET AREA FOR REPLACEMENT PART (INSIDE)  
(LH SIDE, INSIDE)

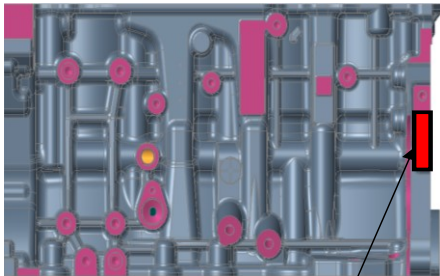
# Engine (2.5L TGDl)

REAR SIDE



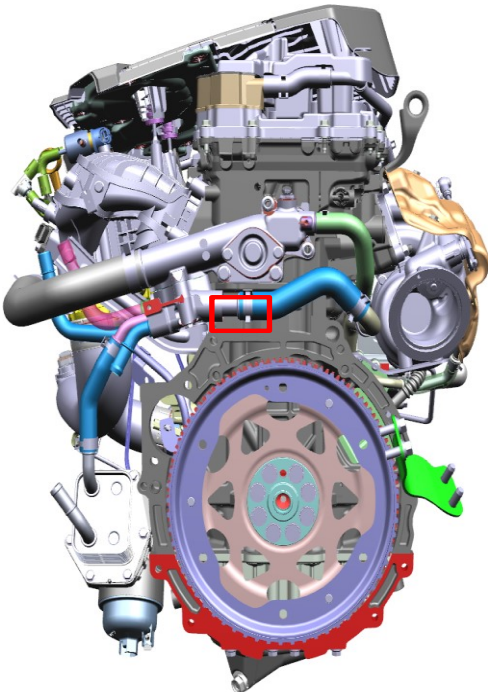
TARGET AREA FOR  
REPLACEMENT PART  
(R-DOT)

LEFT SIDE

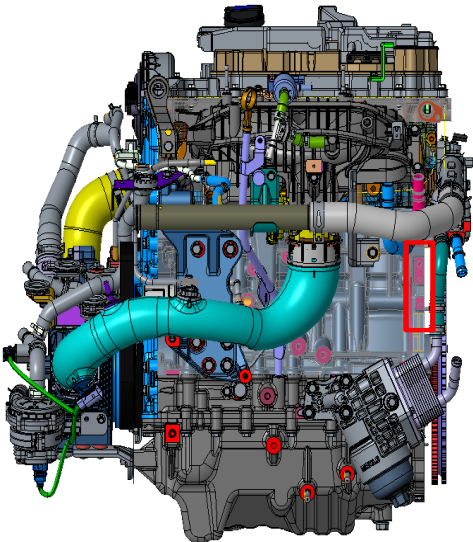


TARGET AREA FOR  
ORIGINALLY EQUIPPED  
PART  
(VIN-PLATE)

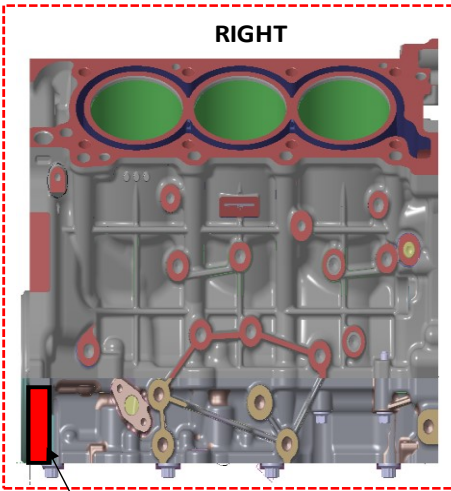
TOP SIDE



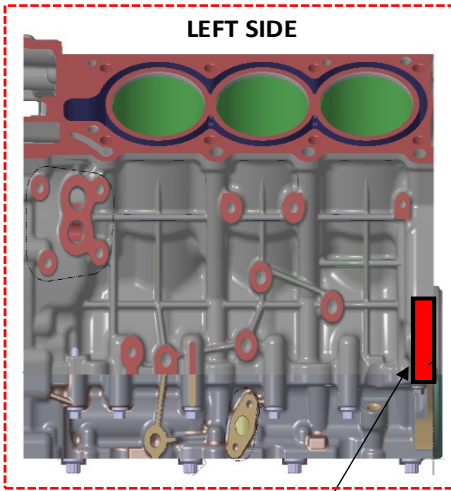
LEFT SIDE



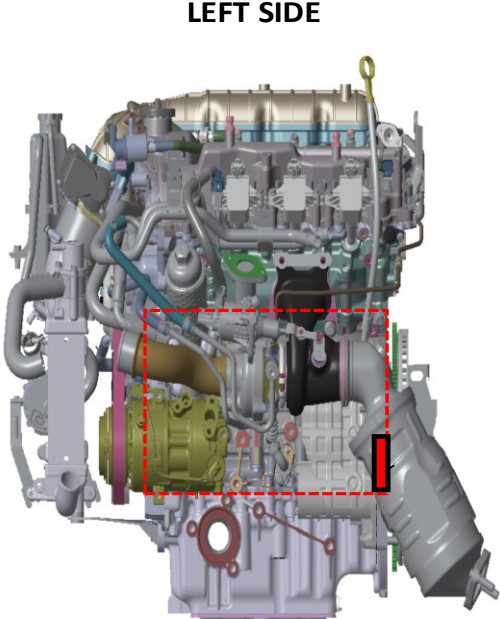
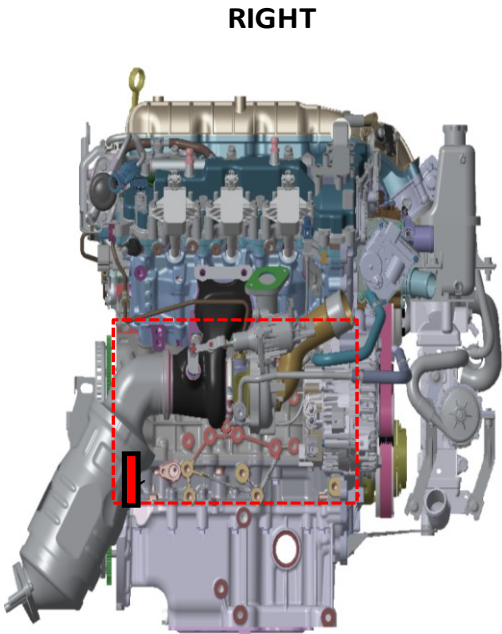
# Engine (3.5L TGDl)



**TARGET AREA FOR  
REPLACEMENT PART**

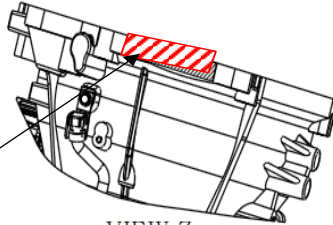


**TARGET AREA FOR  
ORIGINALLY EQUIPPED PART**



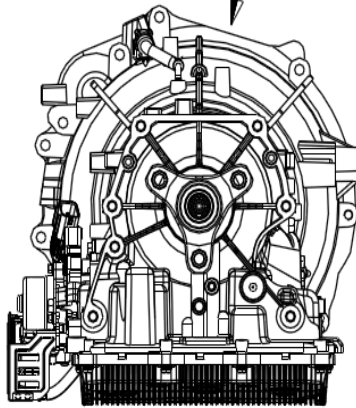
# Transmission (Auto for THETA 2.5T Engine)

**TARGET AREA FOR REPLACEMENT PART**

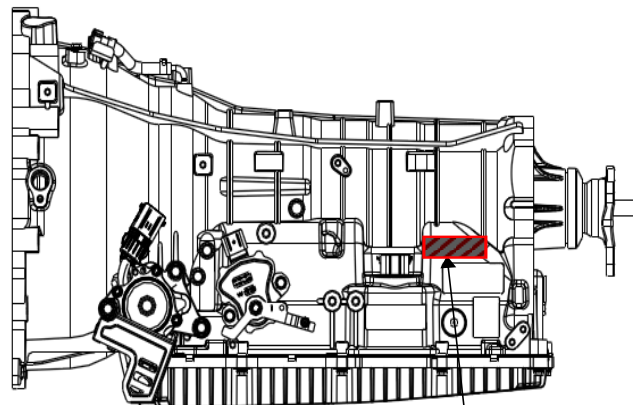


VIEW Z

VIEW Z



BACK VIEW



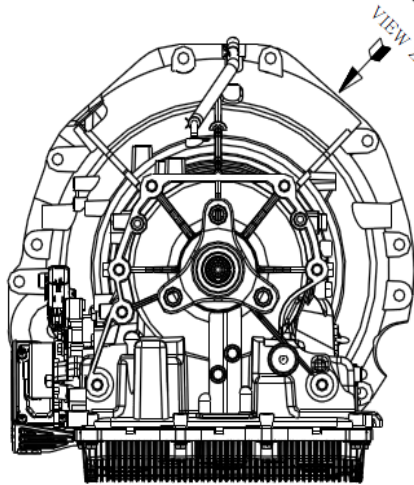
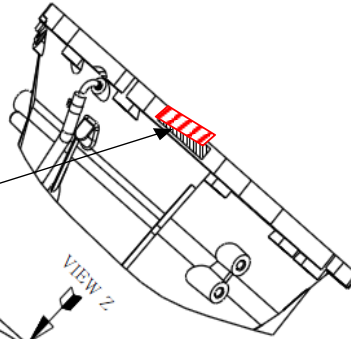
LH VIEW

**TARGET AREA FOR ORIGINALLY EQUIPPED PART**



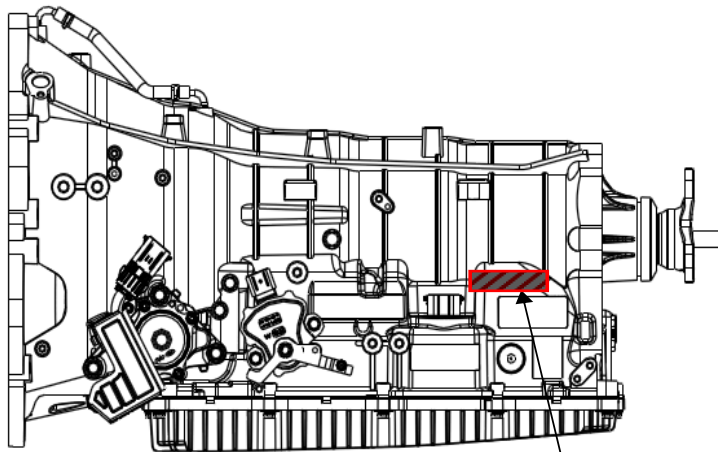
# Transmission (Auto for LAMBDA 3.5T Engine)

**TARGET AREA FOR  
REPLACEMENT PART**



VIEW Z

BACK VIEW



LH VIEW

**TARGET AREA FOR  
ORIGINALLY EQUIPPED  
PART**