

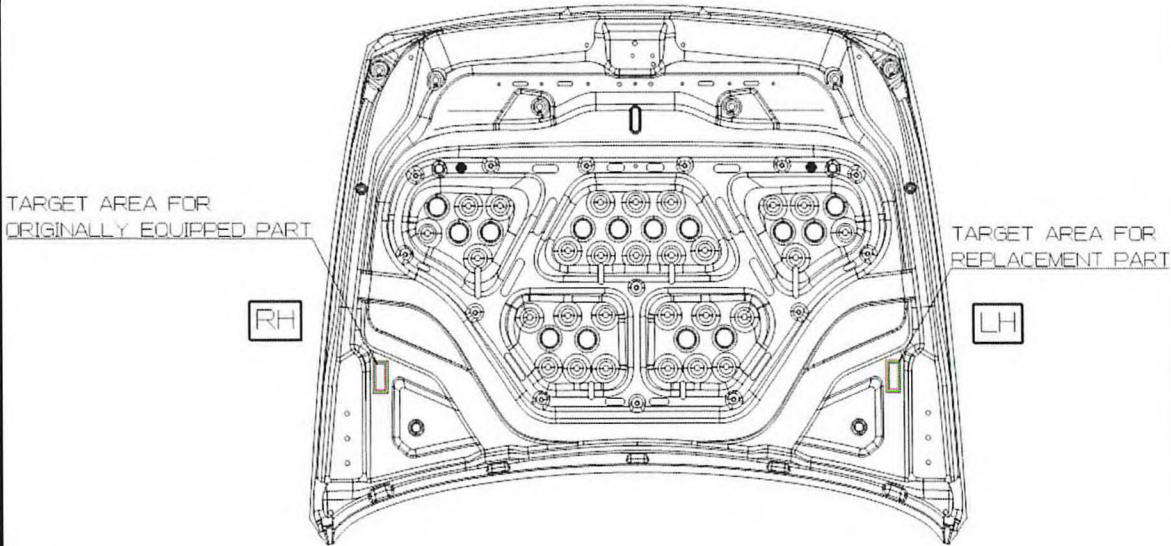
## **VIN marking area for GV80 model**

---

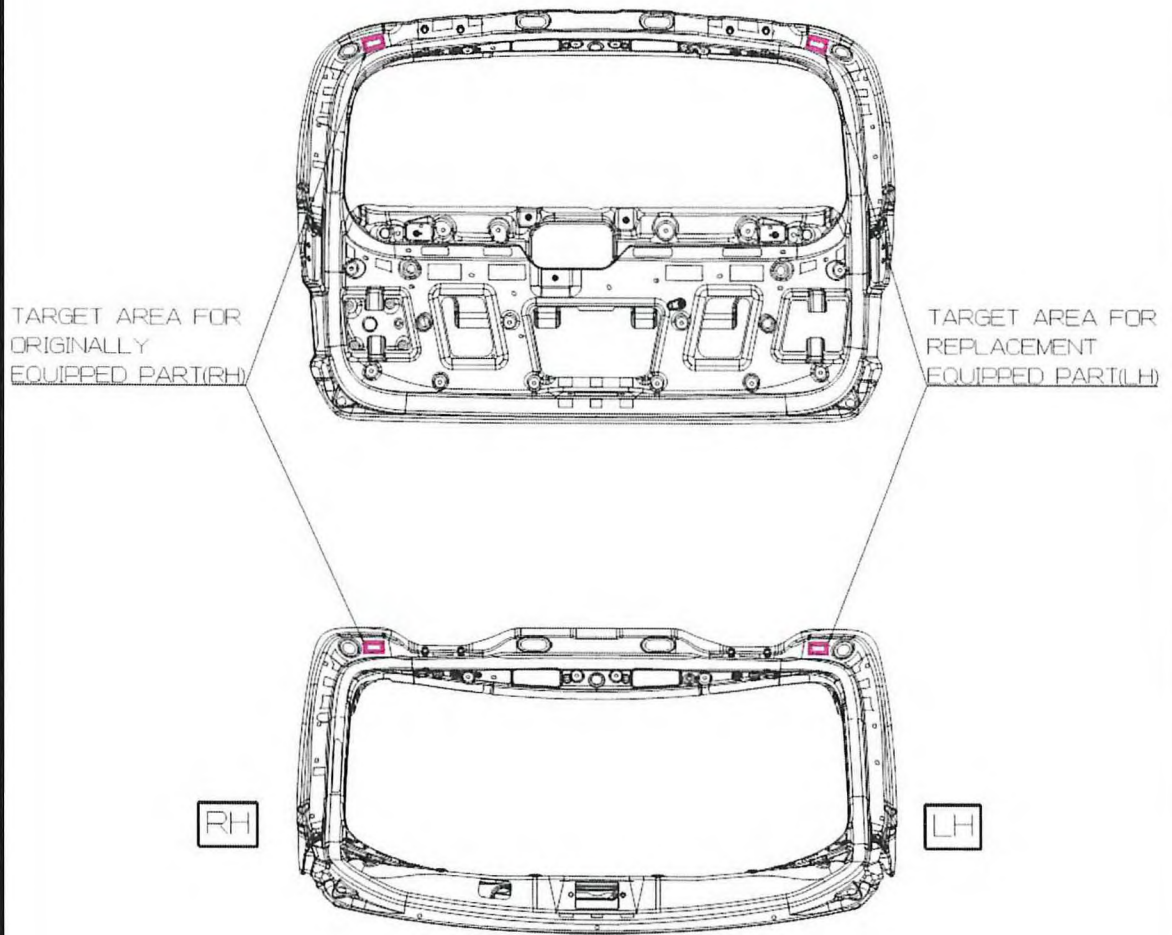
- 1. Hood**
- 2. Tail gate**
- 3. Front Fender (LH/RH)**
- 4. Front Door (LH/RH)**
- 5. Rear Door (LH/RH)**
- 6. Side Outer Panel (LH/RH)**
- 7. Front Bumper**
- 8. Rear Bumper**
- 9. Engine [2.5 T-GDI, 3.5 T-GDI]**
- 10. Transmission [AT]**



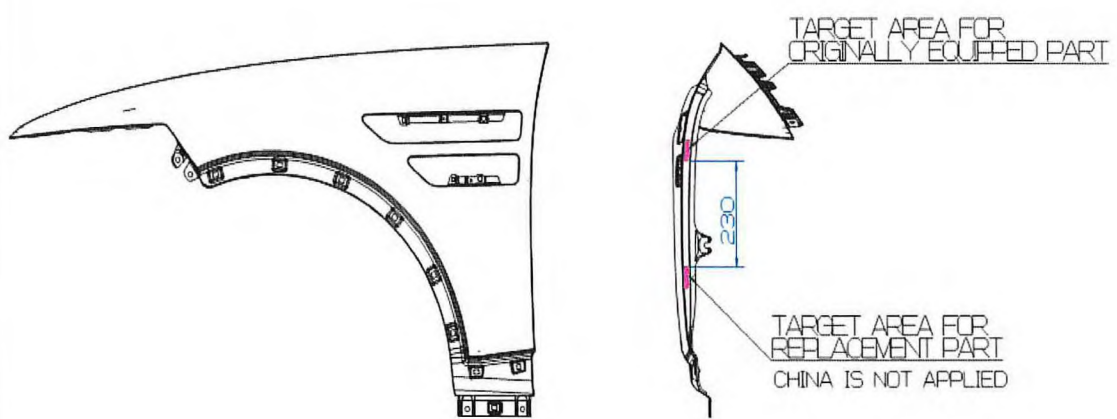
# Hood



# Tail Gate



# Fender LH/RH



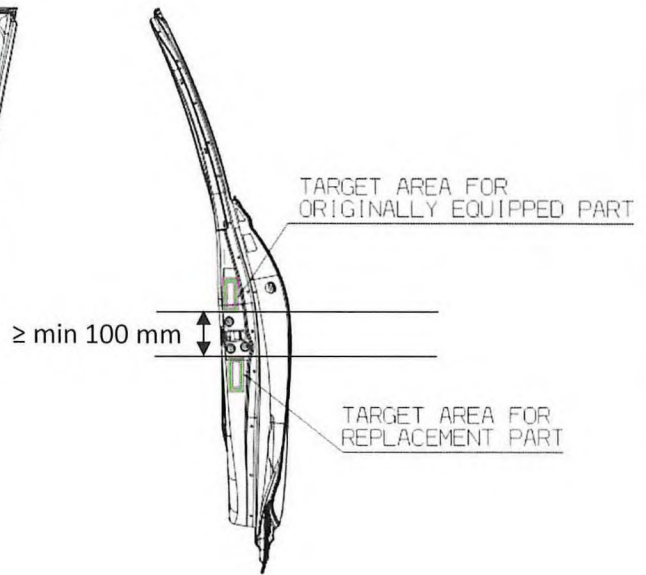
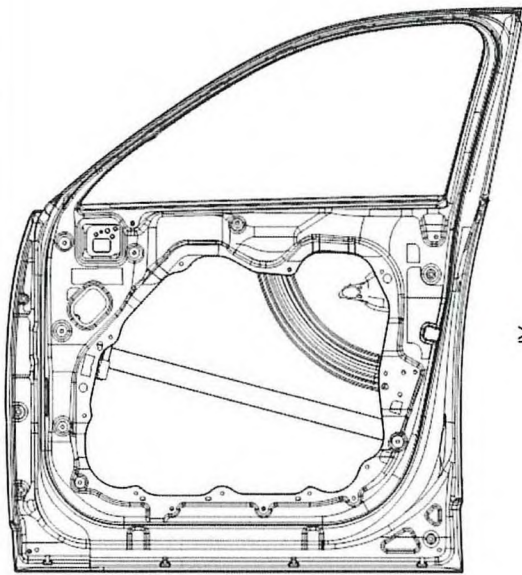
## DETAIL Z

PNL ASSY-FENDER

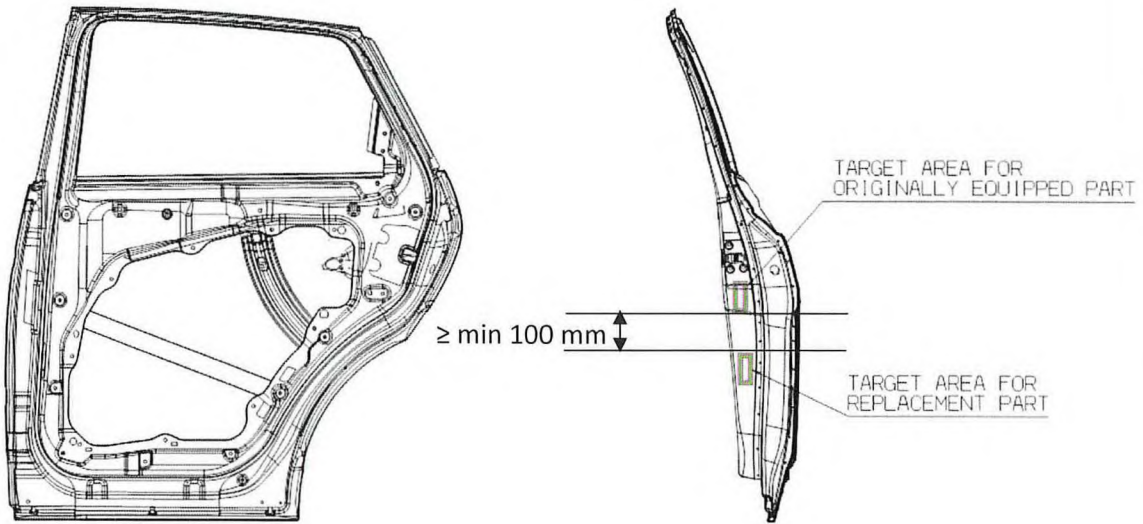
<APPLIED AREA>

- CHINA : PNL ASSY-FENDER, RH
- EXCEPT OF CHINA : PNL ASSY-FENDER, LH/RH

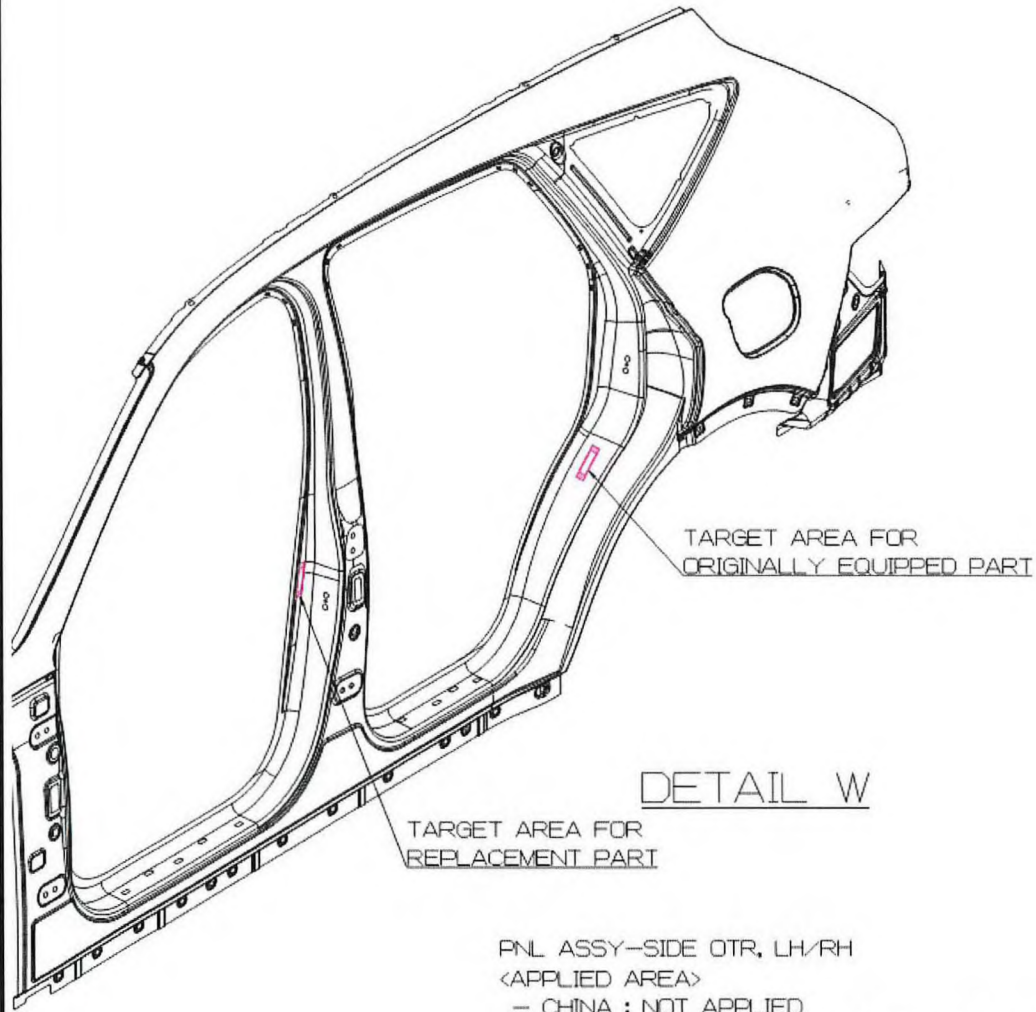
# Front Door LH / RH



# Rear Door LH / RH



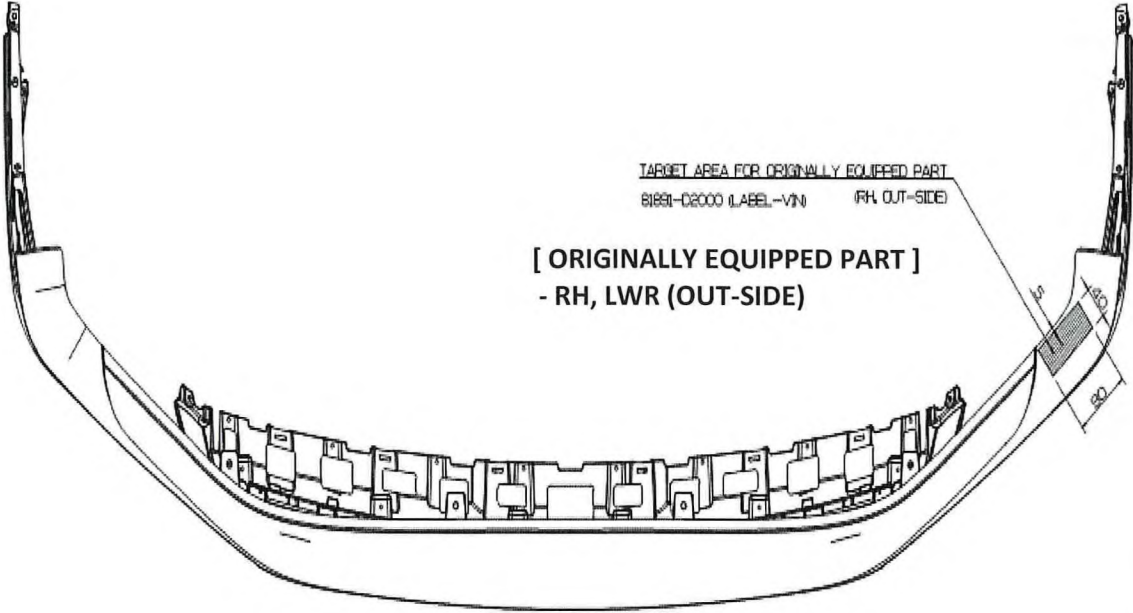
## Side Outer Panel LH / RH



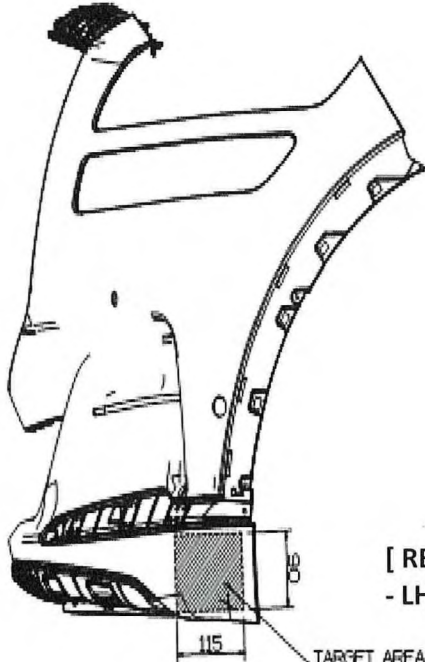
PNL ASSY-SIDE OTR, LH/RH  
<APPLIED AREA>

- CHINA : NOT APPLIED
- EXCEPT OF CHINA : PNL ASSY-SIDE OTR, LH/RH

# Front Bumper



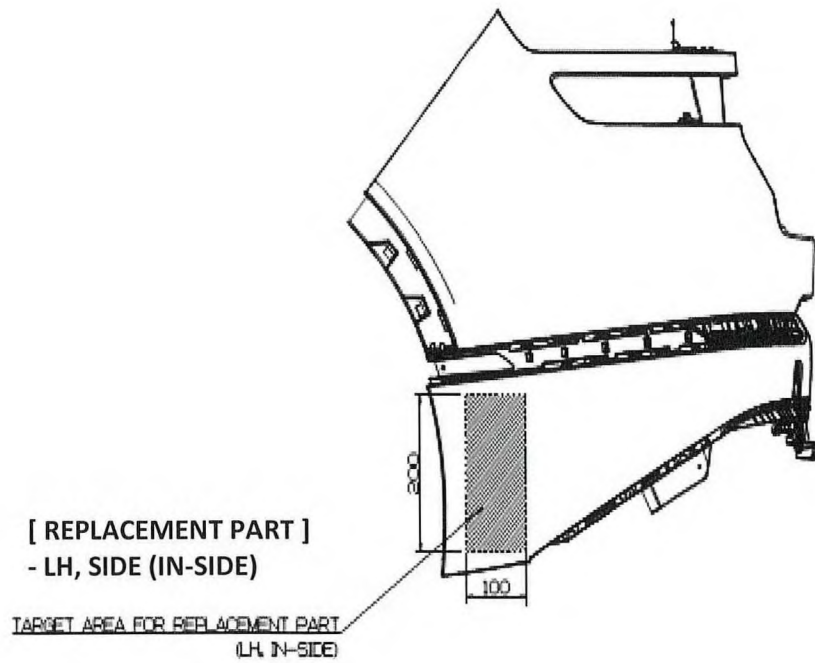
BOTTOM VIEW



SIDE VIEW

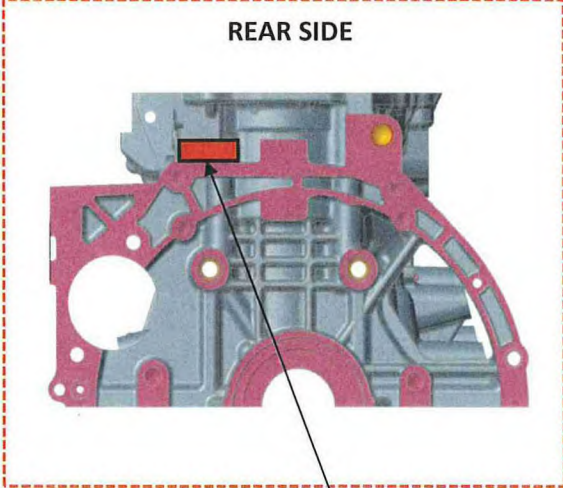


# Rear Bumper

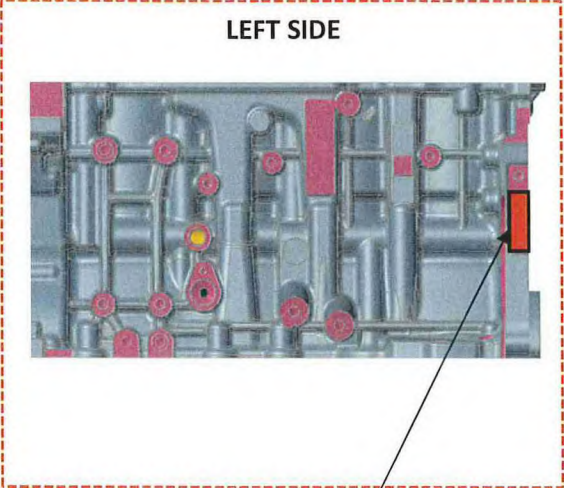


SIDE VIEW

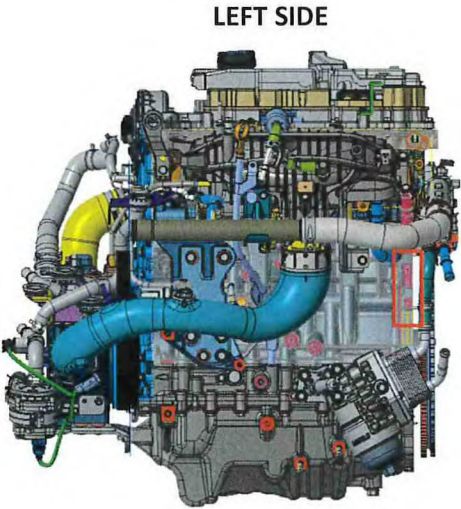
# Engine - 2.5L TGDI



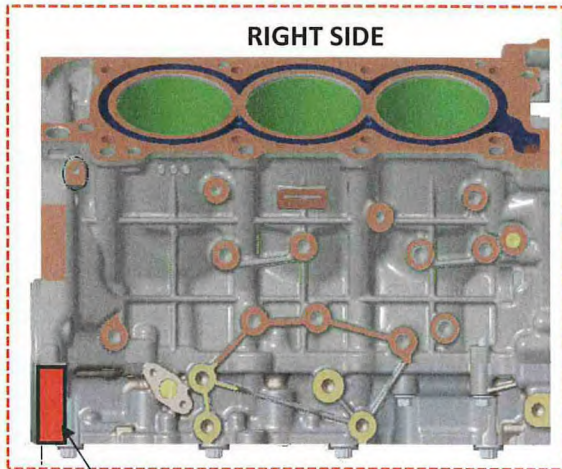
TARGET AREA FOR  
REPLACEMENT PART  
(R-DOT)



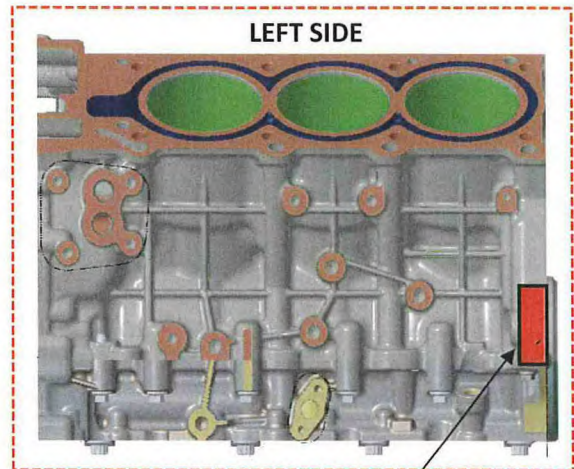
TARGET AREA FOR  
ORIGINALLY EQUIPPED PART  
(VIN-PLATE)



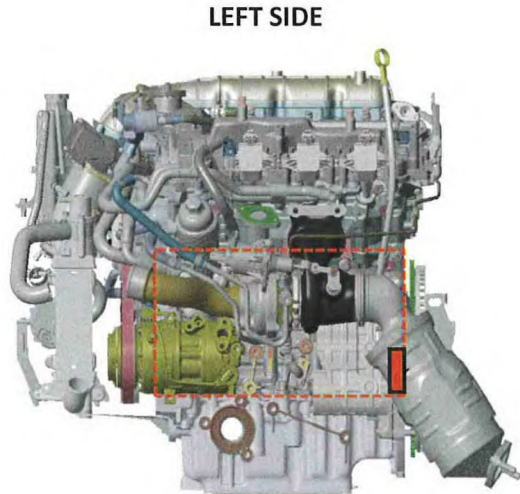
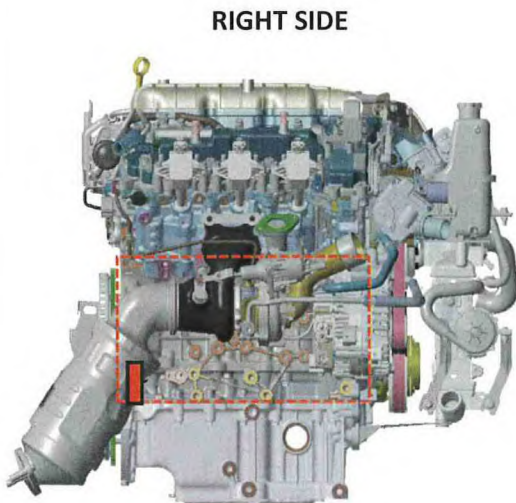
# Engine - 3.5L TGDI



TARGET AREA FOR  
REPLACEMENT PART



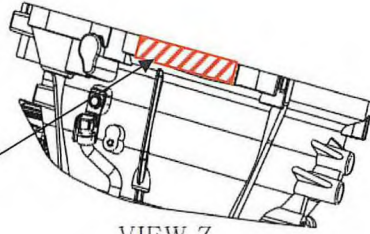
TARGET AREA FOR  
ORIGINALLY EQUIPPED  
PART



# Transmission

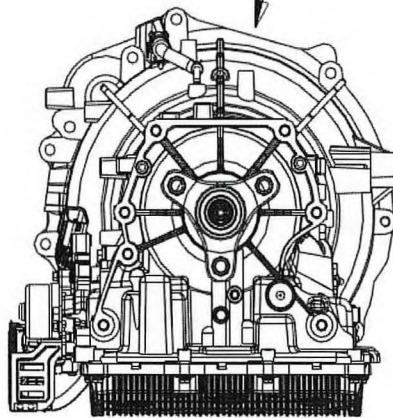
(Auto for THETA 2.5T Engine)

TARGET AREA FOR  
REPLACEMENT PART

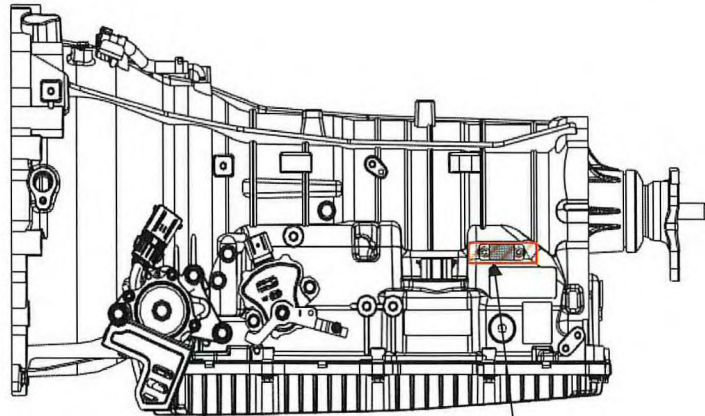


VIEW Z

VIEW Z



BACK VIEW



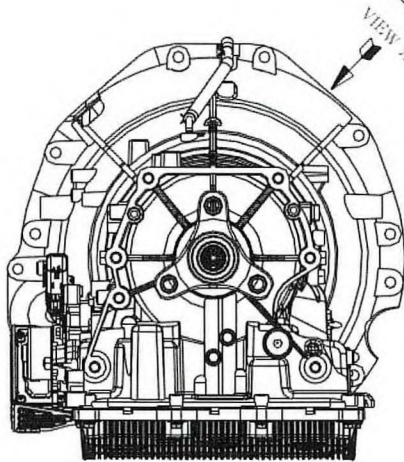
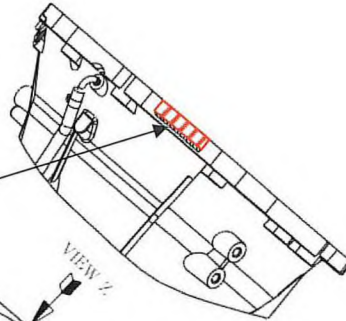
LH VIEW

TARGET AREA FOR  
ORIGINALLY EQUIPPED PART

# Transmission

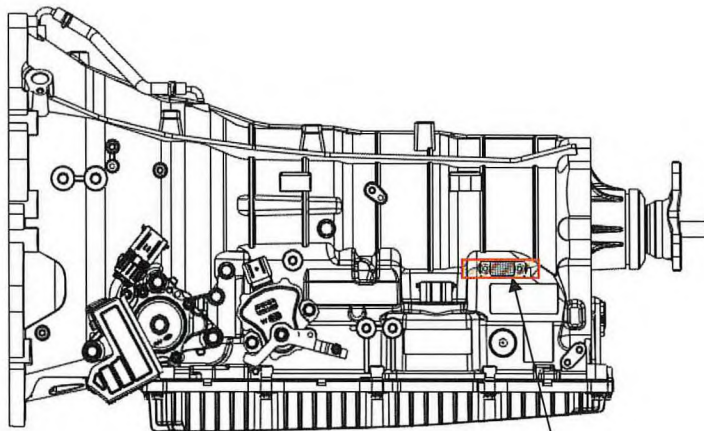
(Auto for LAMBDA 3.5T Engine)

TARGET AREA FOR  
REPLACEMENT PART



VIEW Z

BACK VIEW



LH VIEW

TARGET AREA FOR  
ORIGINALLY EQUIPPED PART