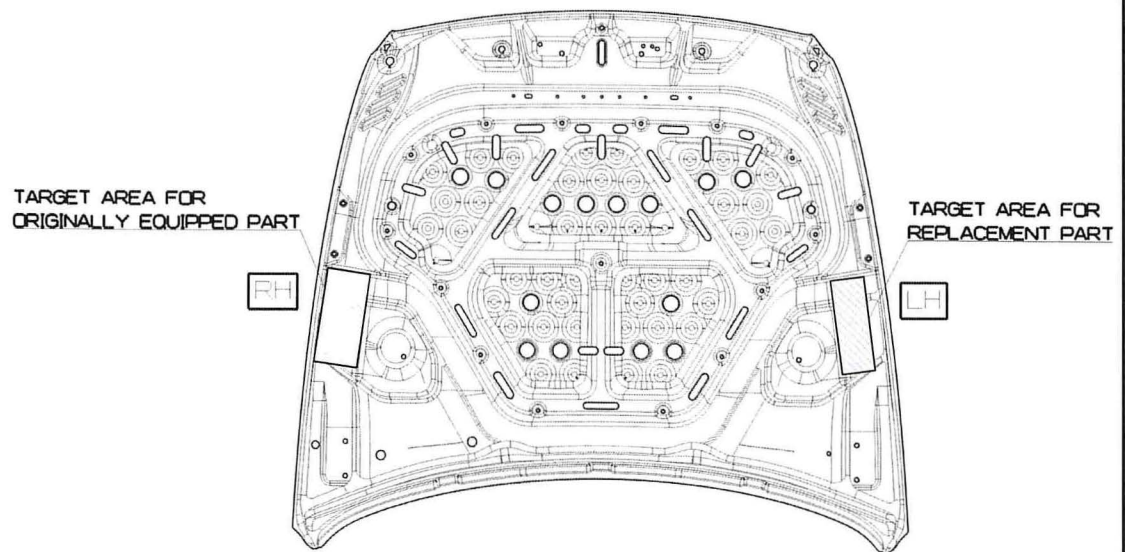


VIN marking area for Genesis model

1. Hood
2. DeckLid
3. Front Fender (LH/RH)
4. Front Door (LH/RH)
5. Rear Door (LH/RH)
6. Side Outer Panel (LH/RH)
7. Front Bumper
8. Rear Bumper
9. Engine (2.5T / 3.5 T)
10. Transmission



Hood



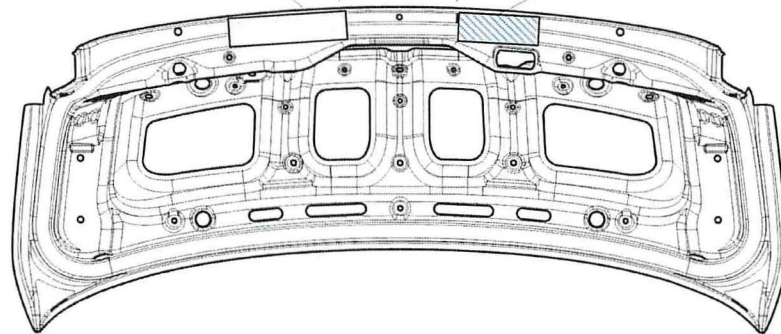
Decklid

TARGET AREA FOR
ORIGINALLY EQUIPPED PART

MIN. 100

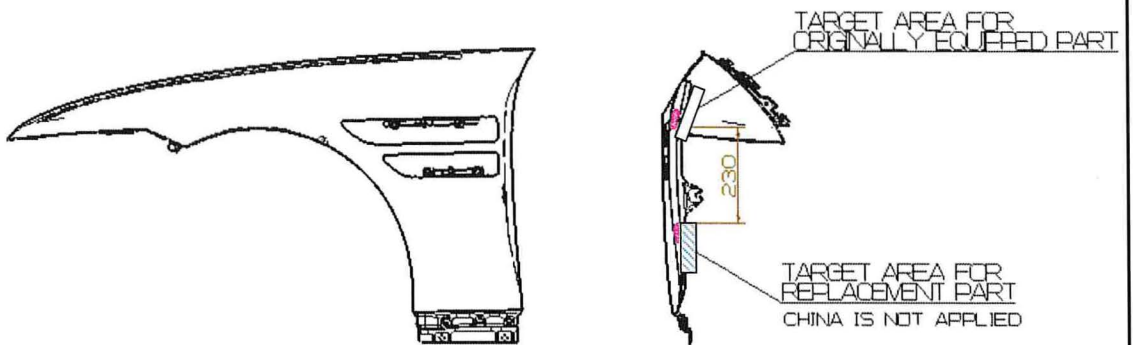
TARGET AREA FOR
REPLACEMENT PART

LH



RH

Front Fender LH / RH



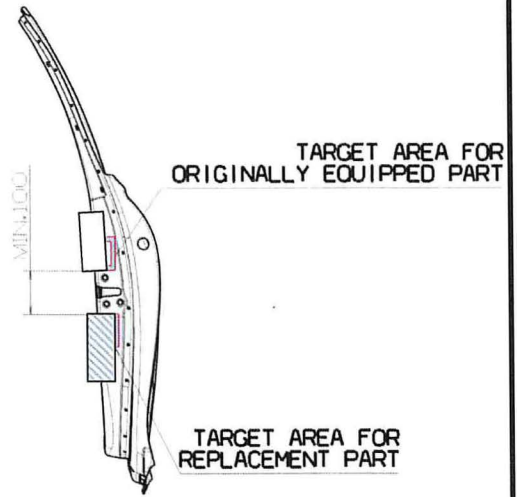
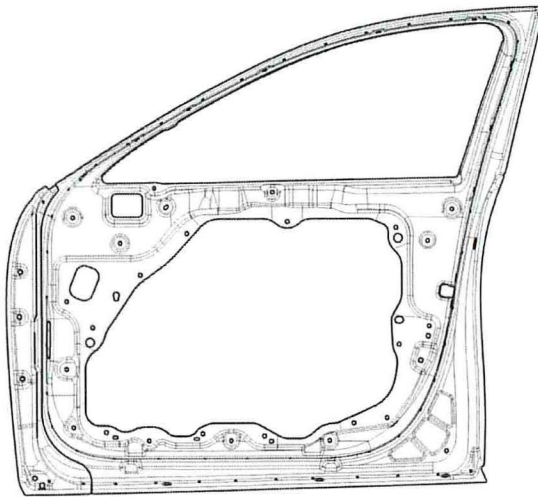
DETAIL Z

P/NL ASSY-FENDER

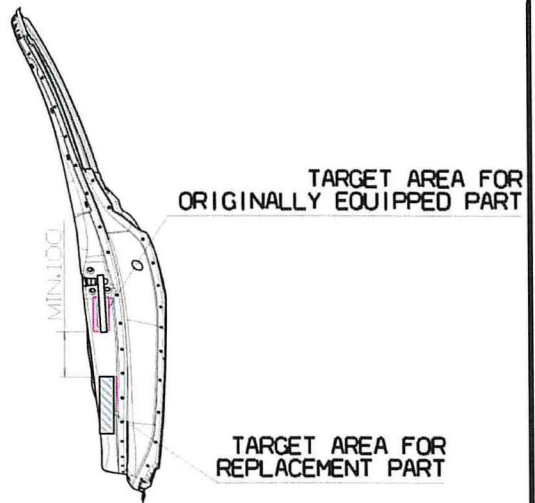
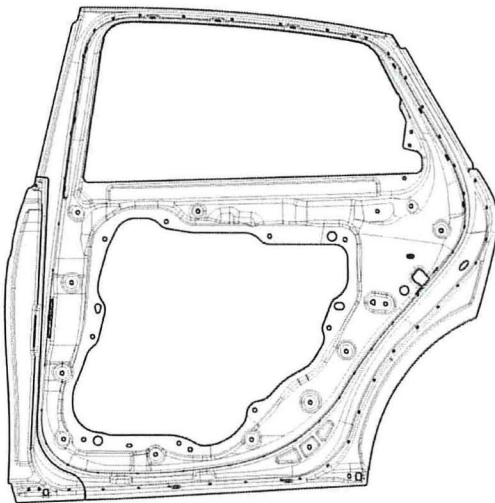
<APPLIED AREA>

- CHINA : P/NL ASSY-FENDER, RH
- EXCEPT OF CHINA : P/NL ASSY-FENDER, LH/RH

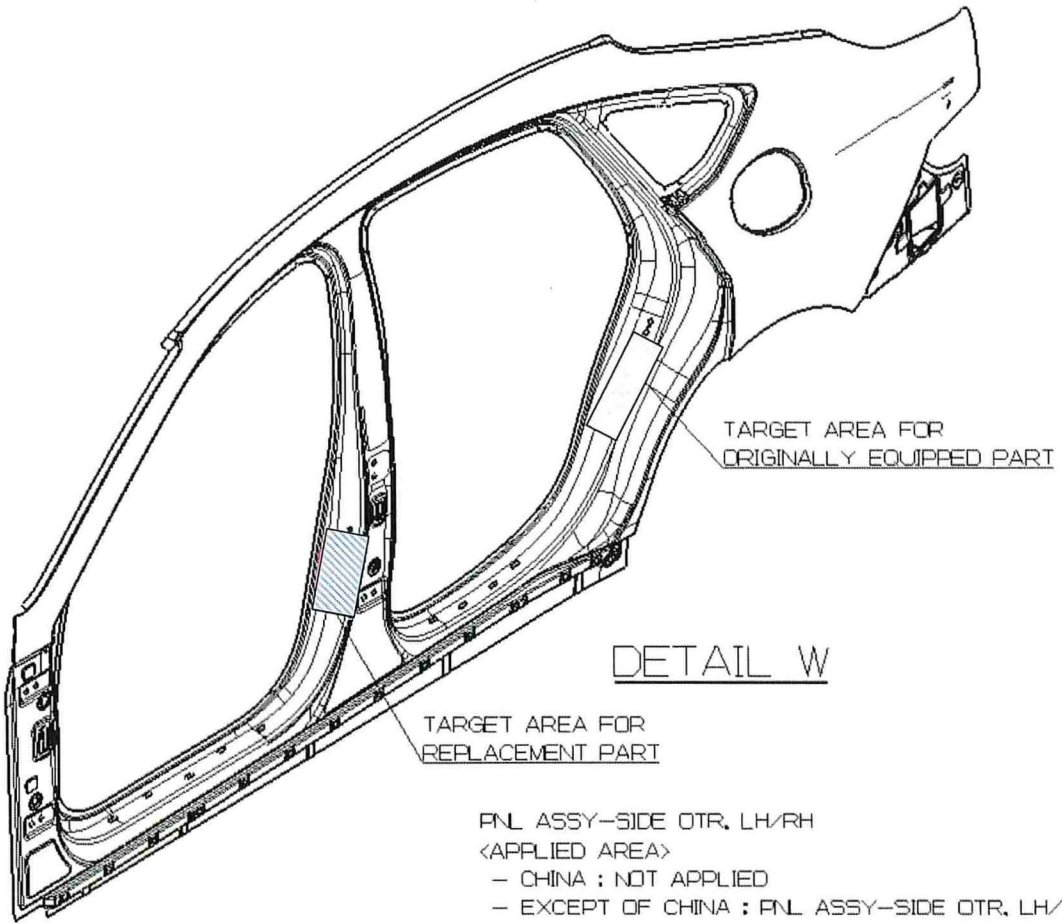
Front Door LH / RH



Rear Door LH / RH



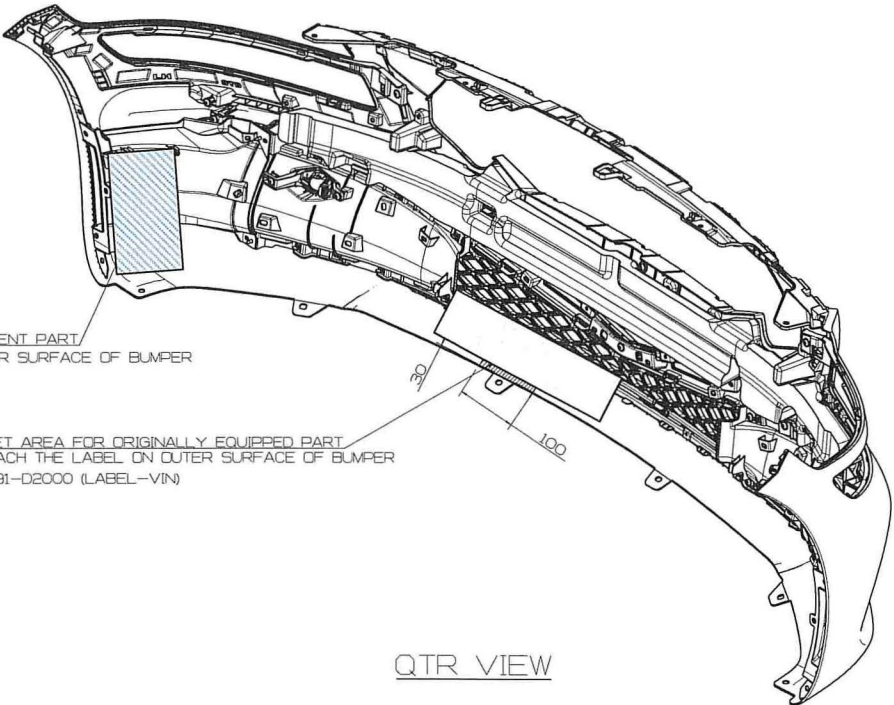
Side Outer Panel LH / RH



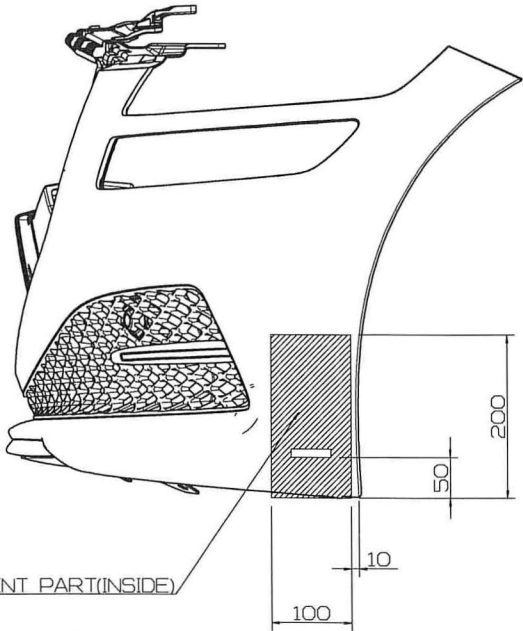
PNL ASSY-SIDE OTR, LH/RH
<APPLIED AREA>
- CHINA : NOT APPLIED
- EXCEPT OF CHINA : PNL ASSY-SIDE OTR, LH/RH

21MY Hyundai Genesis VIN Position

Front Bumper



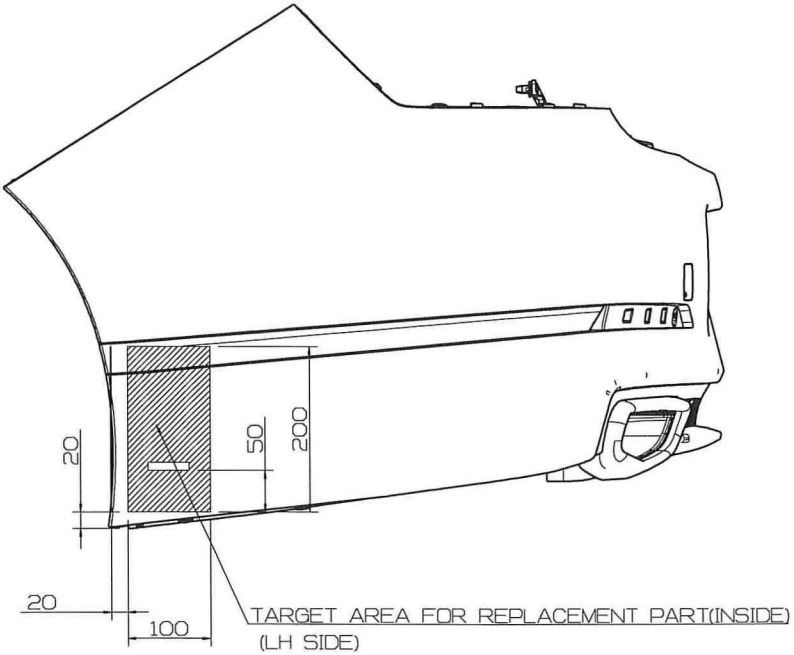
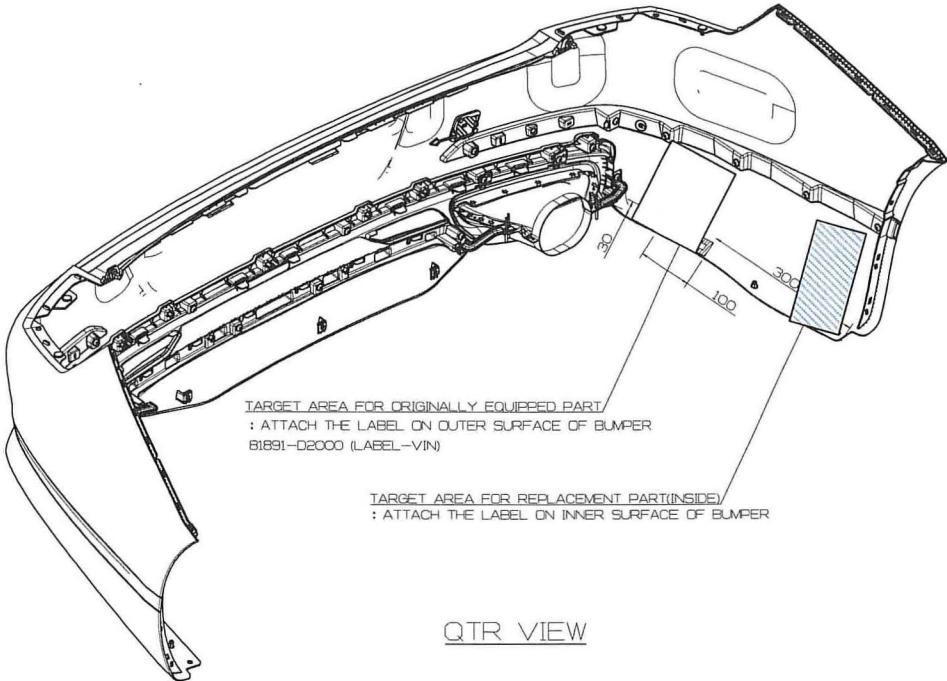
QTR VIEW



TARGET AREA FOR REPLACEMENT PART (INSIDE) (LH SIDE)

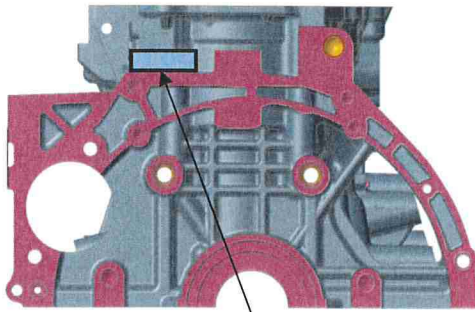
SIDE VIEW

Rear Bumper

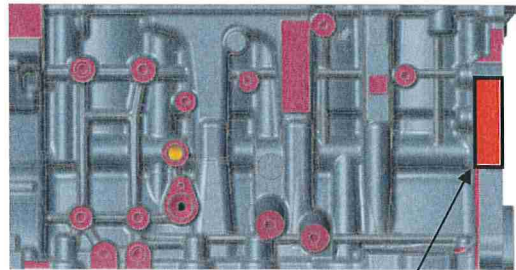


Engine – 2.5L TGDI

REAR SIDE



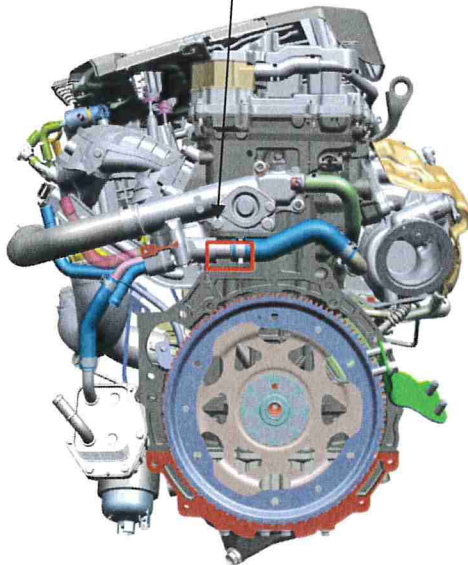
LEFT SIDE



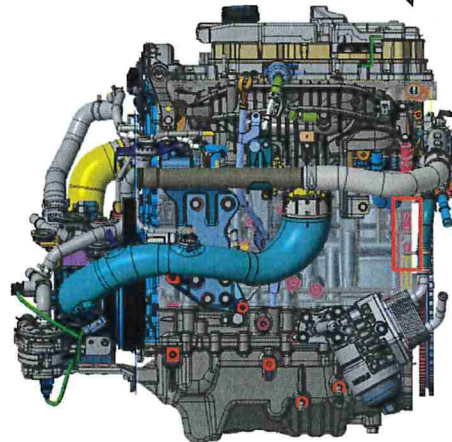
TARGET AREA FOR
REPLACEMENT PART
(R-DOT)

TARGET AREA FOR
ORIGINALLY EQUIPPED PART
(VIN-PLATE)

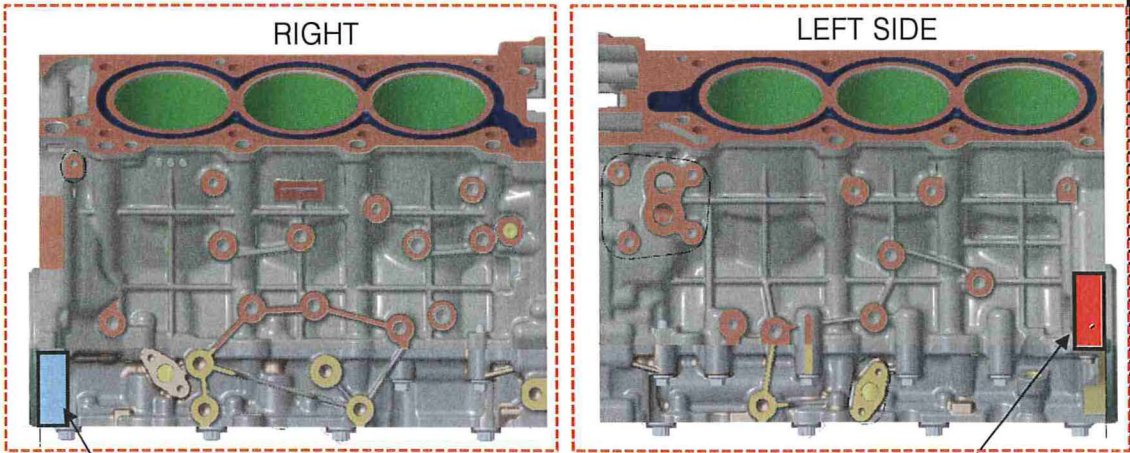
TOP SIDE



LEFT SIDE

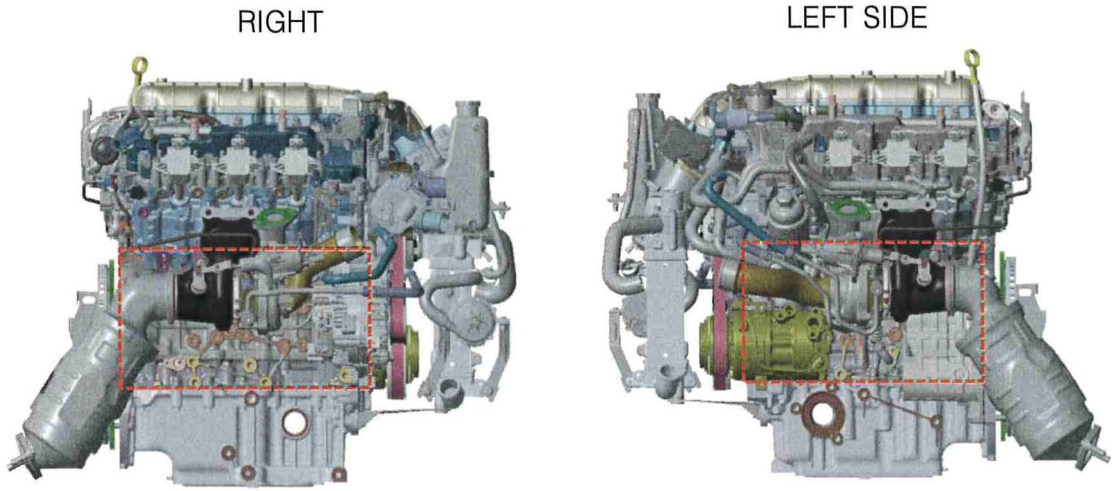


Engine – 3.5L TGDI



TARGET AREA FOR REPLACEMENT PART

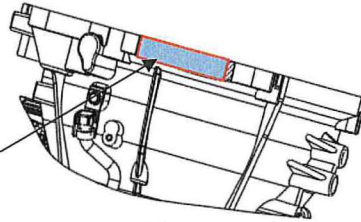
TARGET AREA FOR ORIGINALLY EQUIPPED PART



Transmission

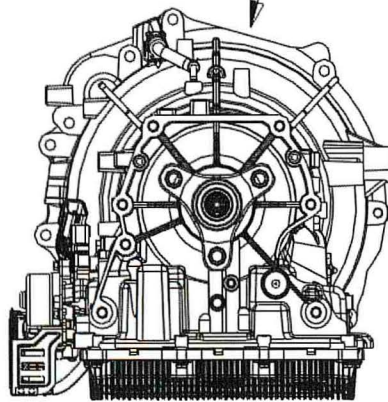
(Auto for THETA 2.5T Engine)

TARGET AREA FOR
REPLACEMENT PART

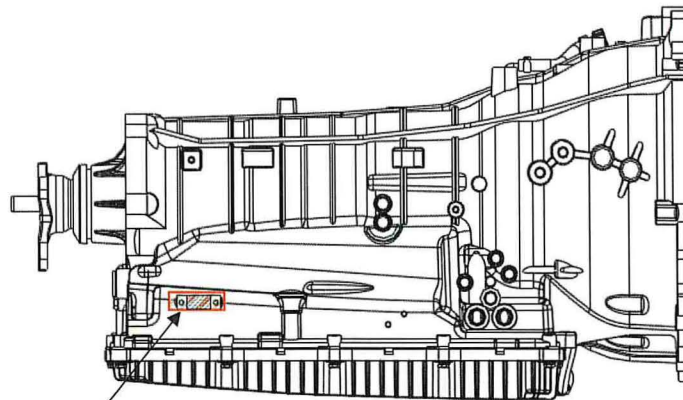


VIEW Z

VIEW Z



BACK VIEW



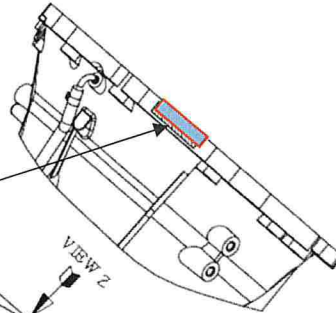
RH VIEW

TARGET AREA FOR
ORIGINALLY EQUIPPED PART

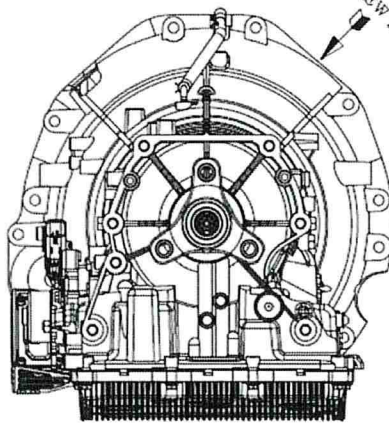
Transmission

(Auto for LAMBDA 3.5T Engine)

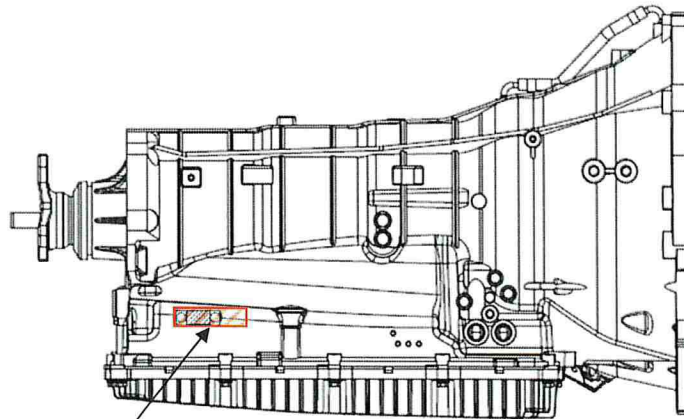
TARGET AREA FOR
REPLACEMENT PART



VIEW Z



BACK VIEW



RH VIEW

TARGET AREA FOR
ORIGINALLY EQUIPPED PART