
VIN marking area for 20MY Sonata Hybrid model

1. Hood
2. Tailgate
3. Front Fender (LH/RH)
4. Front Door (LH/RH)
5. Rear Door (LH/RH)
6. Side Outer Panel (LH/RH)
7. Front Bumper
8. Rear Bumper
9. Engine
10. Transmission



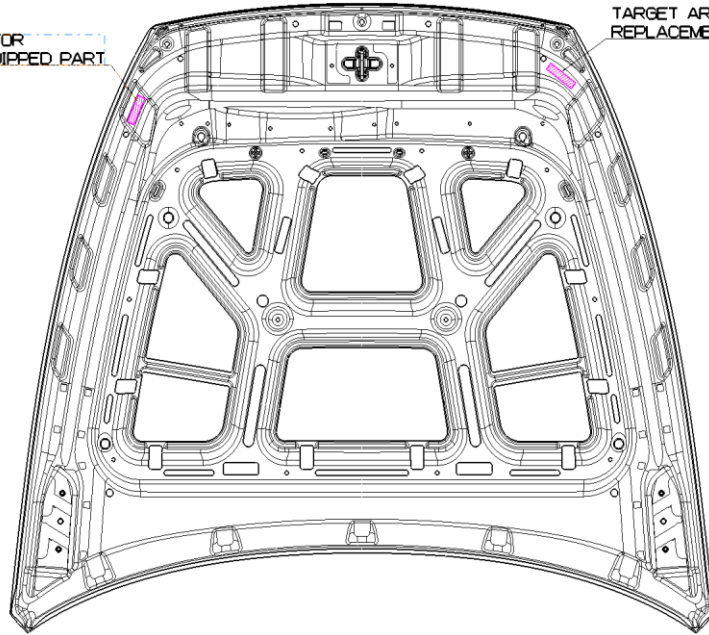
Hood

TARGET AREA FOR
ORIGINALLY EQUIPPED PART

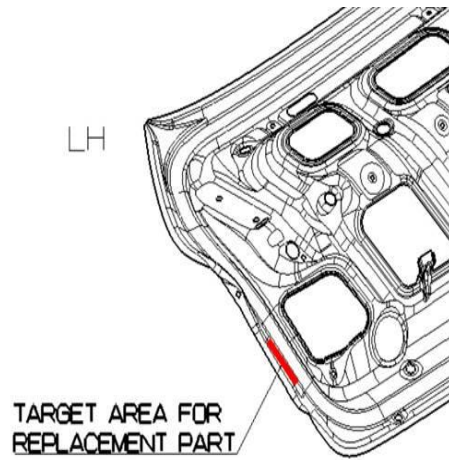
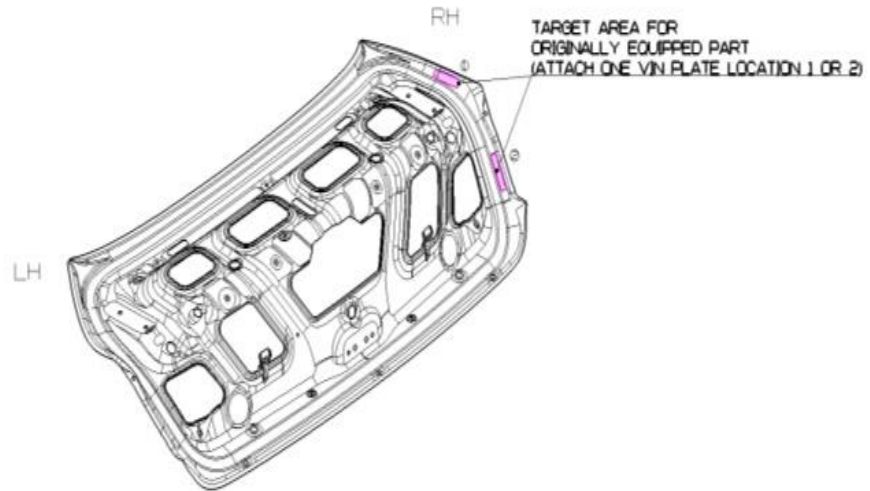
TARGET AREA FOR
REPLACEMENT PART

RH

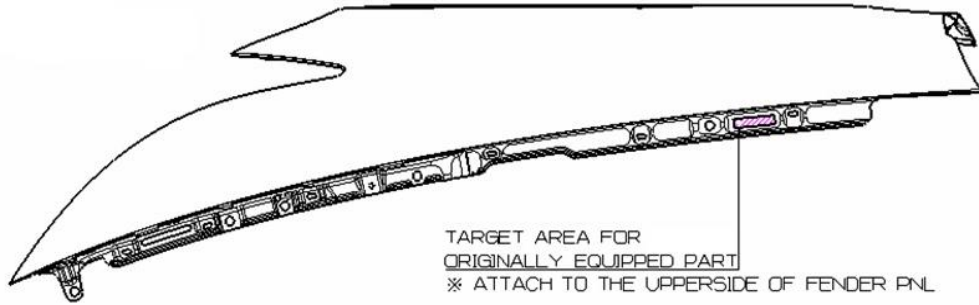
LH



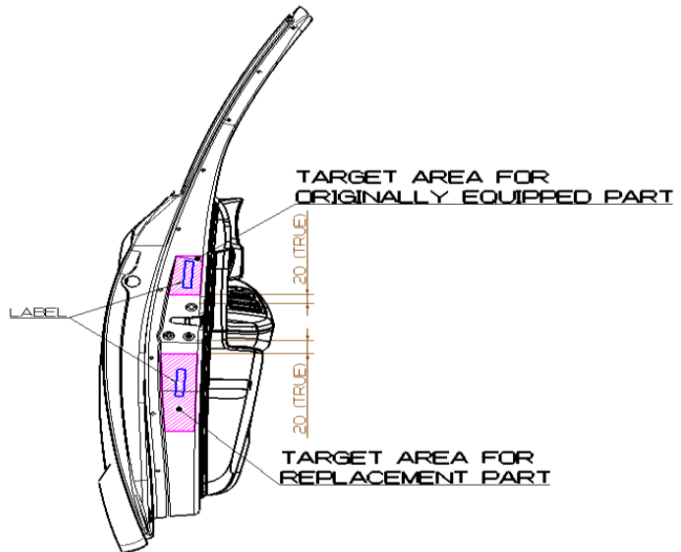
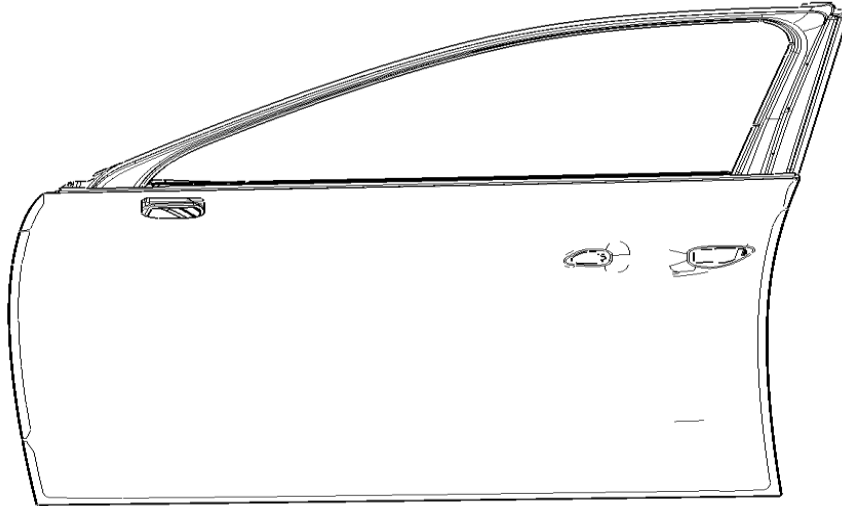
Tailgate



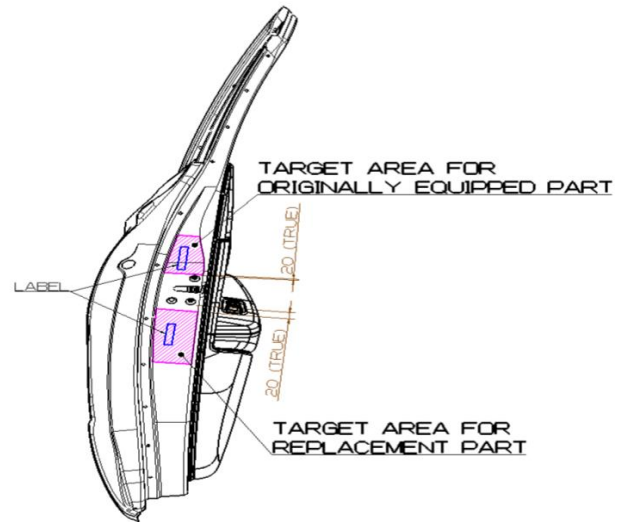
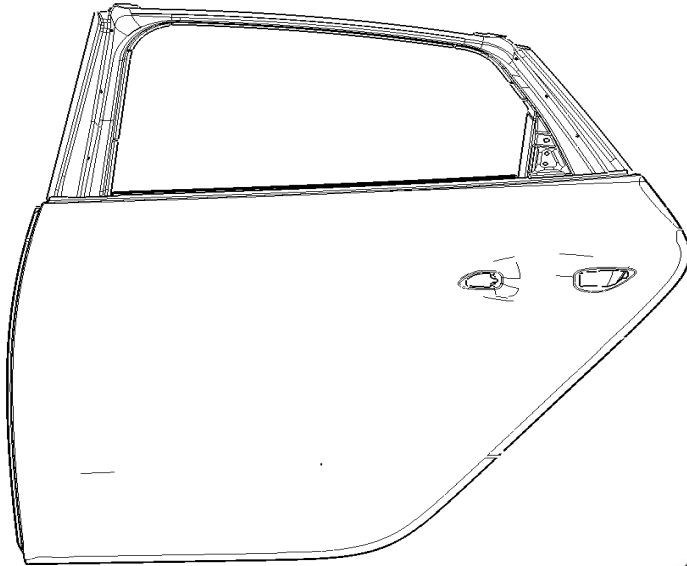
Front Fender LH/RH



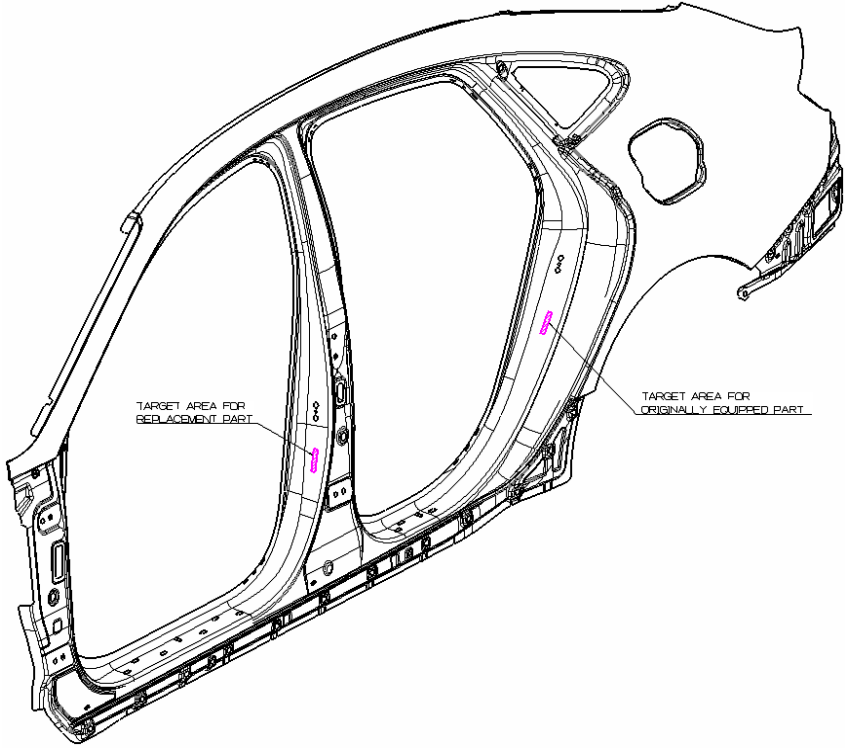
Front Door LH/RH



Rear Door LH / RH

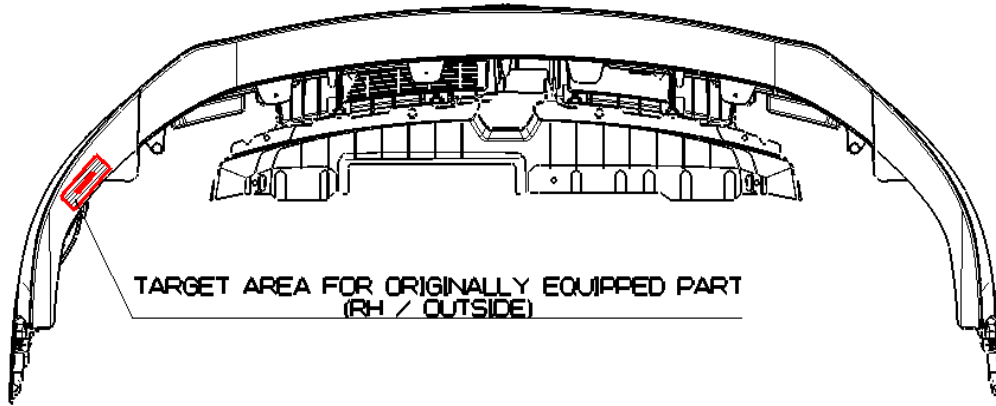


Side Outer Panel LH / RH



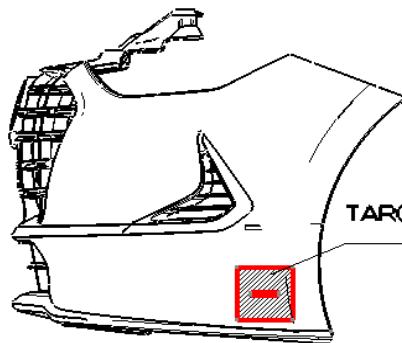
Front Bumper

Original



TARGET AREA FOR ORIGINALLY EQUIPPED PART
(RH / OUTSIDE)

<FRONT BUMPER - BOTTOM VIEW>

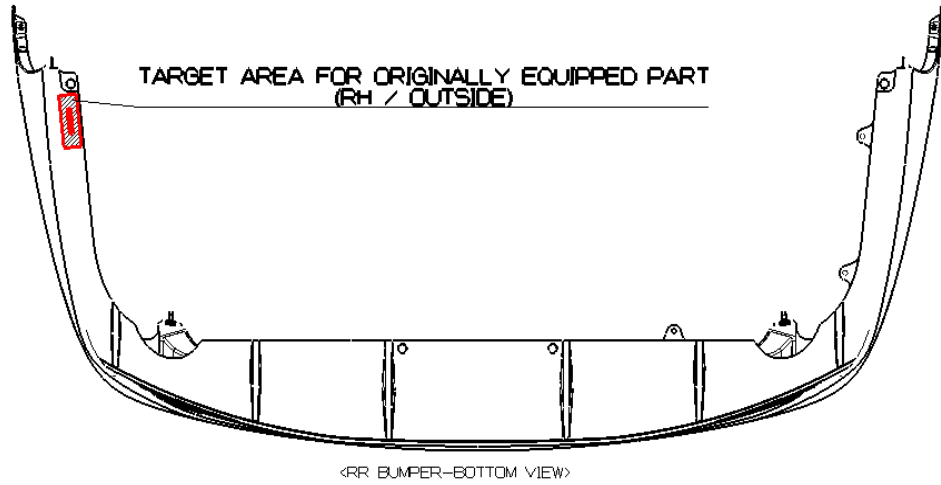


TARGET AREA FOR REPLACEMENT PART
(LH / INSIDE)

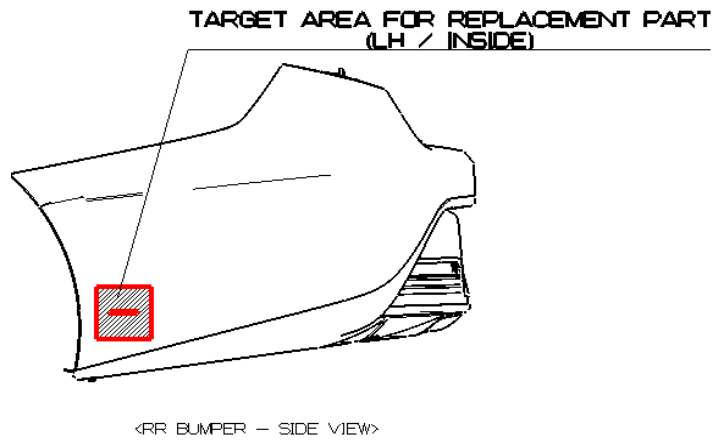
<FRONT BUMPER - SIDE VIEW>

Rear Bumper

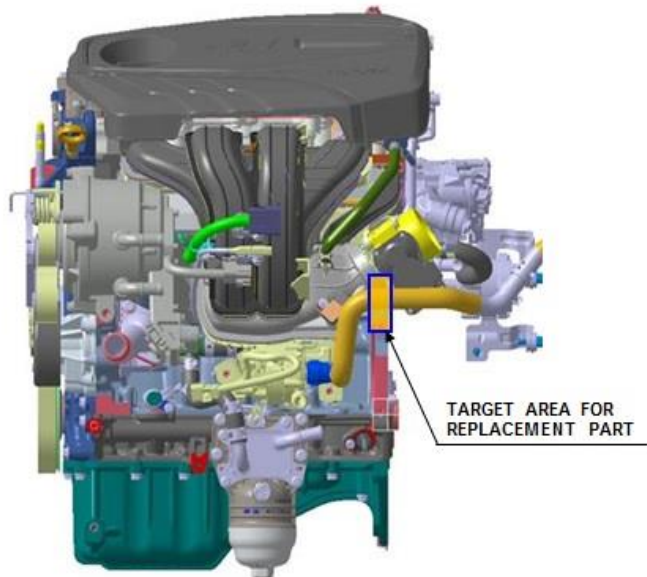
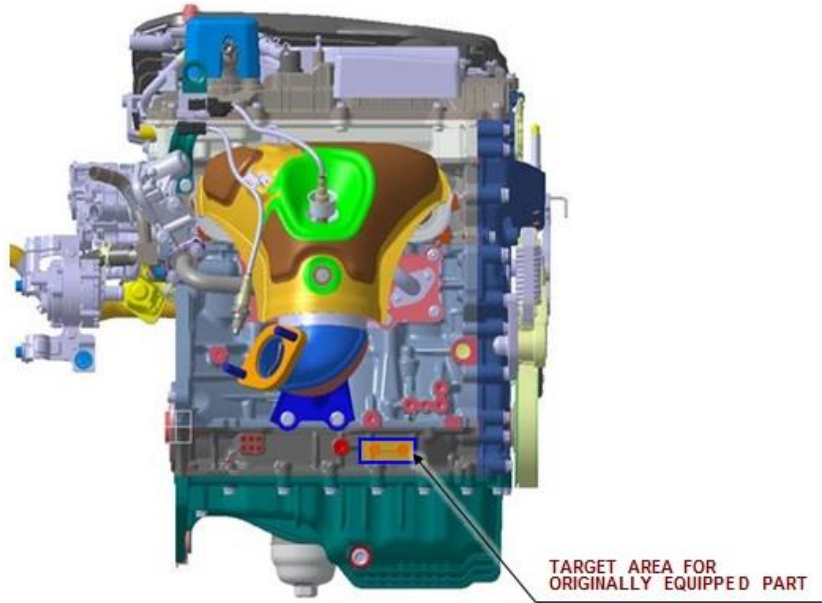
Original



Replacement

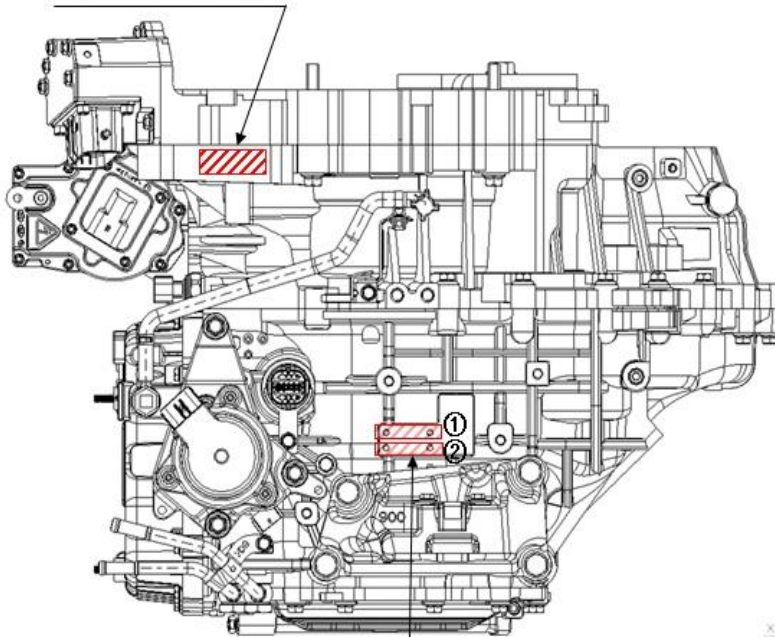


Engine - G4NIII 2.0



Transmission

TARGET AREA FOR
REPLACEMENT PART



TARGET AREA FOR
ORIGINALLY EQUIPPED PART

※ VIN plate for originally equipped part
will be attached to either ① or ②.