

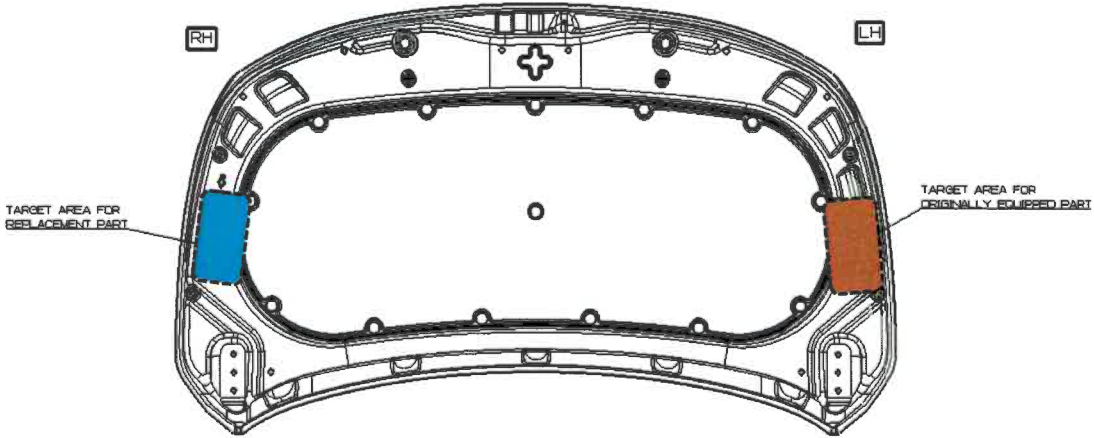
## **VIN marking area for Seltos model**

---

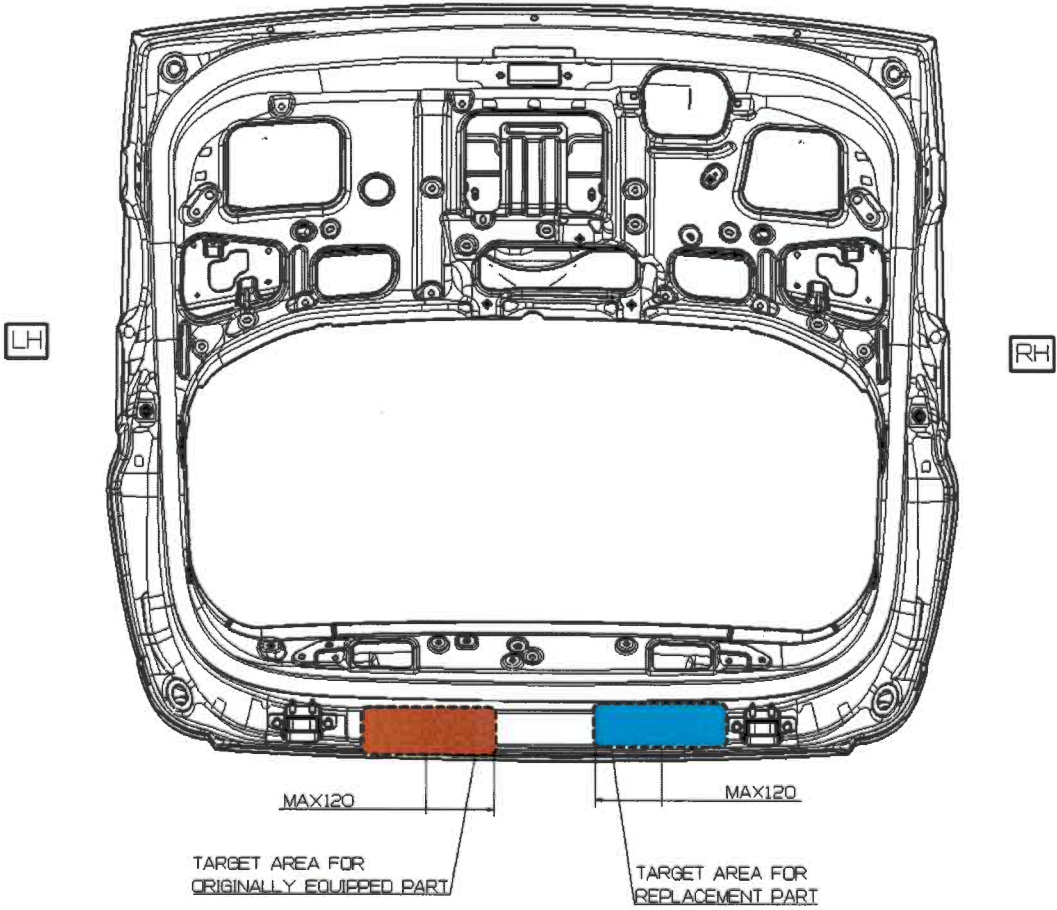
- 1. Hood**
- 2. Tail Gate**
- 3. Front Fender (LH/RH)**
- 4. Front Door (LH/RH)**
- 5. Rear Door (LH/RH)**
- 6. Side Outer Panel (LH/RH)**
- 7. Front Bumper**
- 8. Rear Bumper**
- 9. Engine [Nu 2.0 MPI, Gamma 1.6 TGDI]**
- 10. Transmission [CVT, DCT]**



# Hood



# Tail Gate



LH

RH

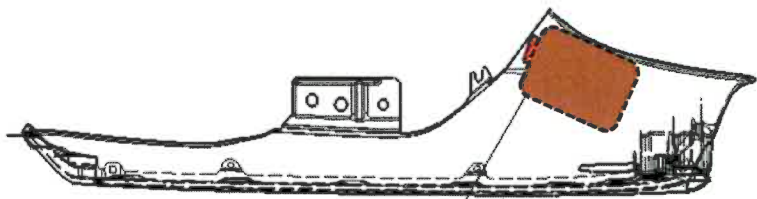
MAX120

MAX120

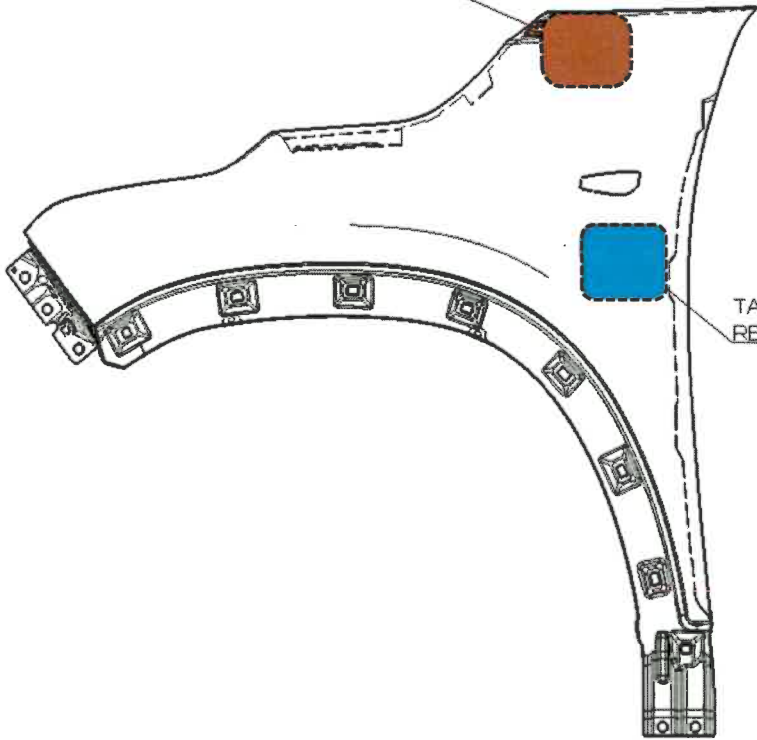
TARGET AREA FOR  
ORIGINALLY EQUIPPED PART

TARGET AREA FOR  
REPLACEMENT PART

# Front Fender LH / RH

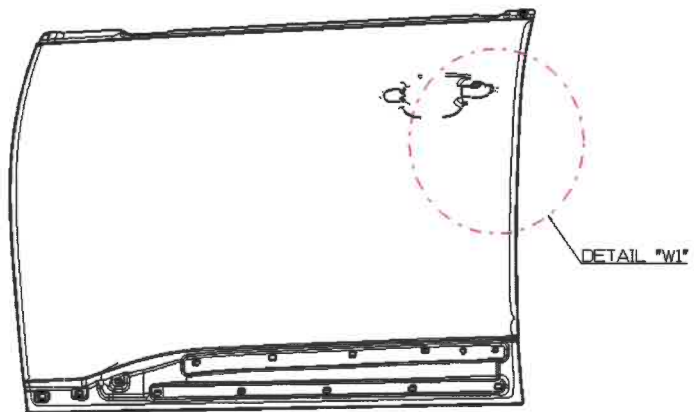


TARGET AREA FOR  
ORIGINALLY EQUIPPED PART

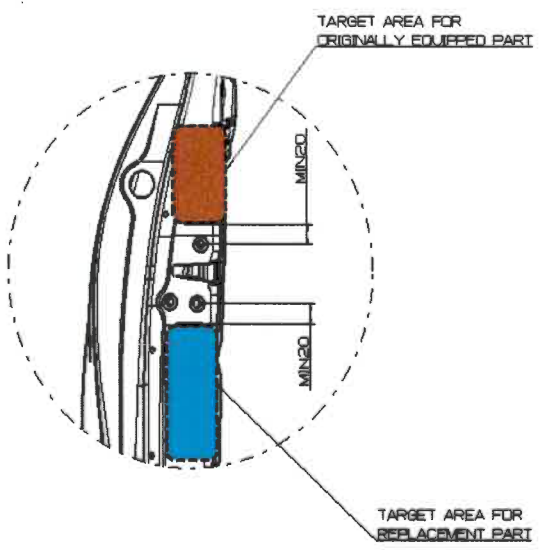


TARGET AREA FOR  
REPLACEMENT PART

# Front Door LH / RH

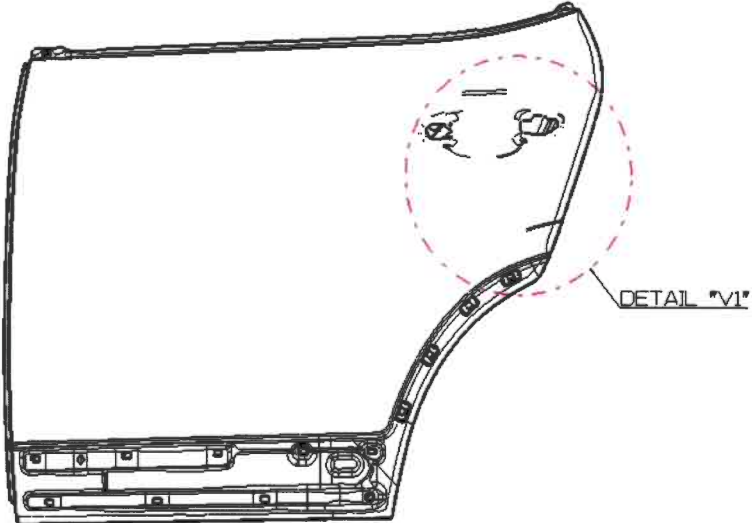


DETAIL "W"

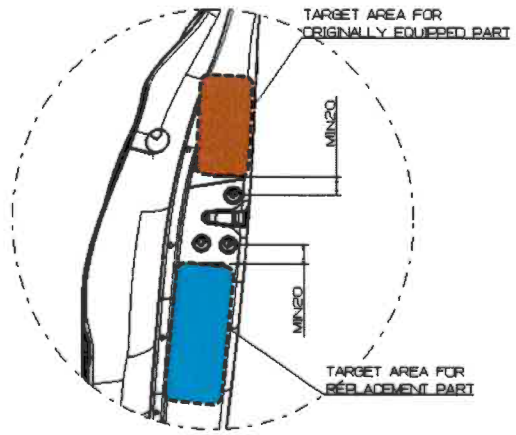


DETAIL "W1"  
<APPLY AREA>  
-PNL ASSY-FR DR, LH/RH

# Rear Door LH / RH

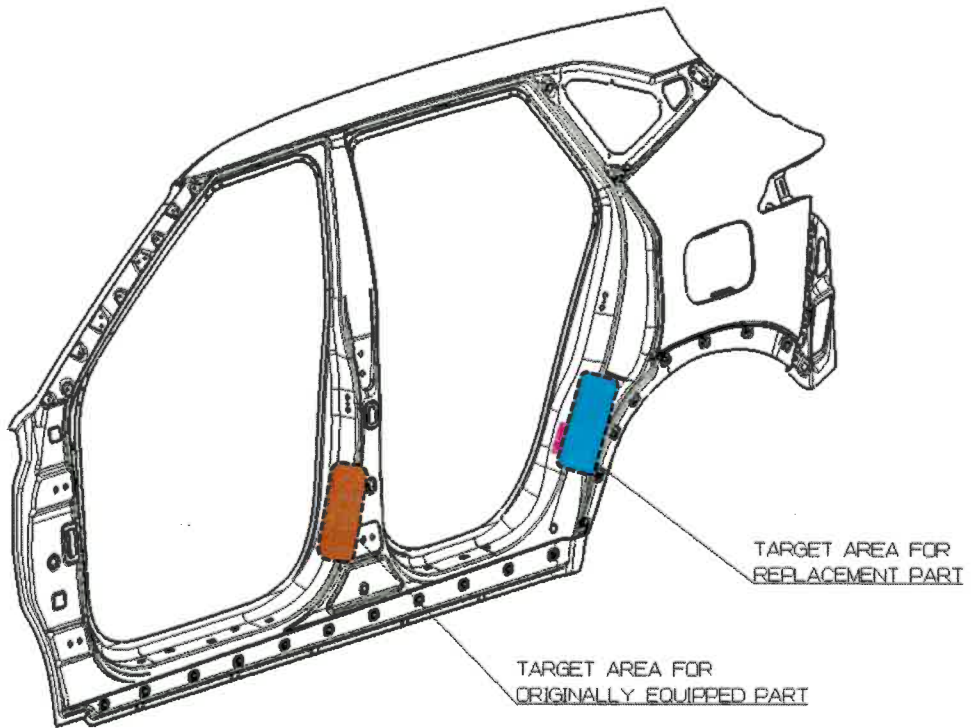


DETAIL "V"

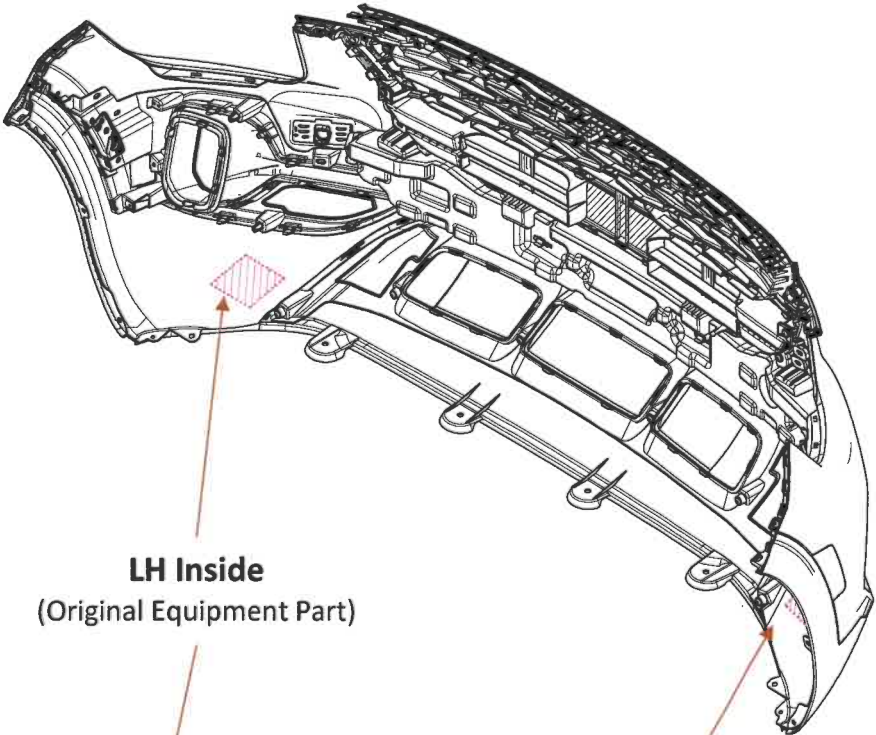


DETAIL "V1"  
<APPLY AREA>  
-PNL ASSY-RR DR, LH/RH

## Side Outer Panel LH / RH

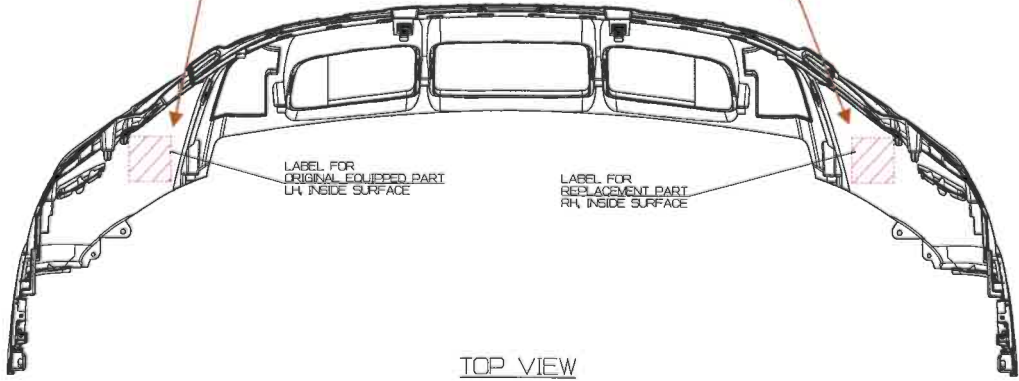


# Front Bumper



**LH Inside**  
(Original Equipment Part)

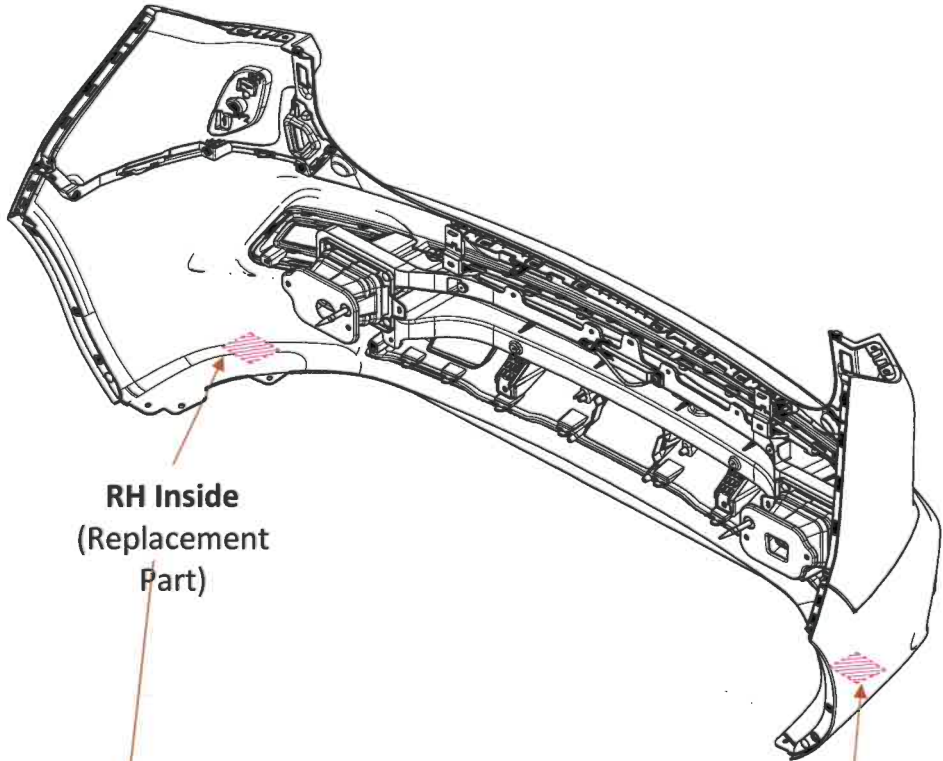
**RH Inside**  
(Replacement Part)



TOP VIEW

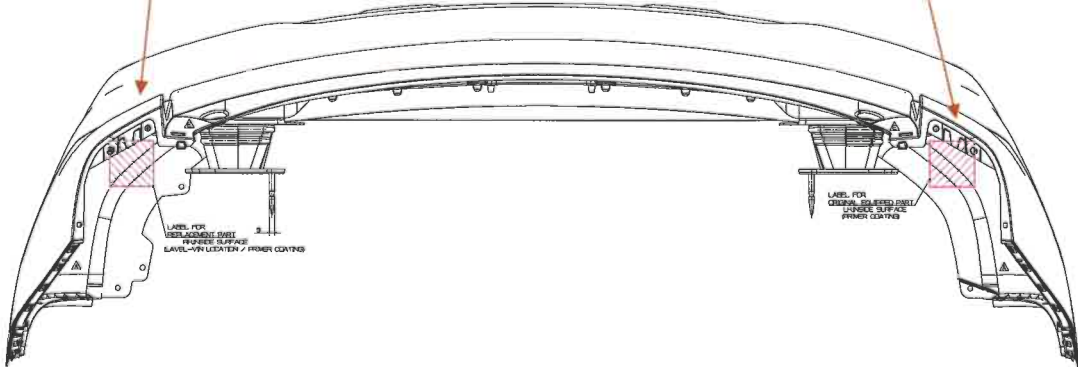


# Rear Bumper



**RH Inside**  
(Replacement  
Part)

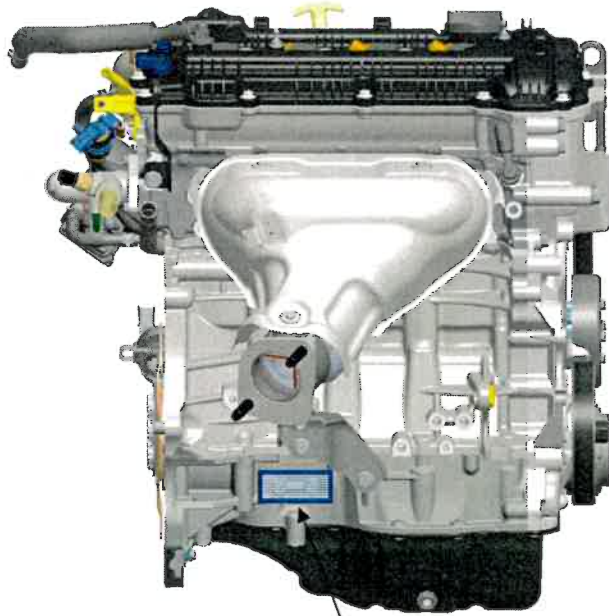
**LH Inside**



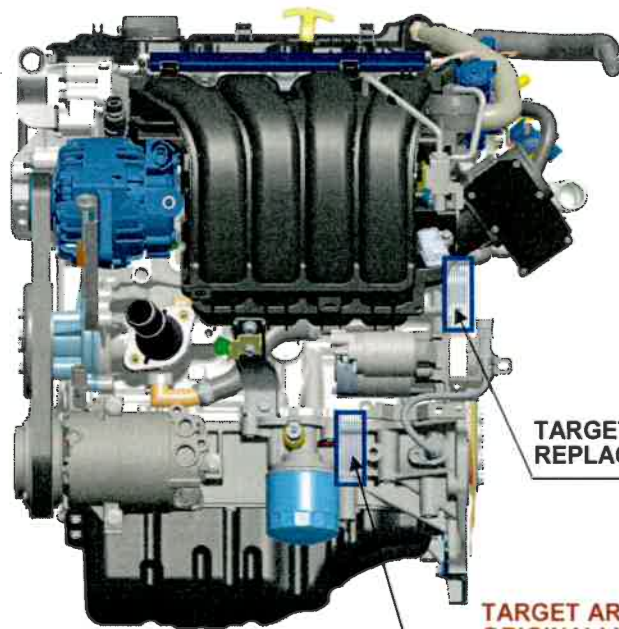
LABEL FOR  
REPLACEMENT PART  
REPLACEMENT SURFACE  
ELEVATION LOCATED / PRIMER CENTER

LABEL FOR  
ORIGINAL PART  
ORIGIN. BOLTED INLET  
PRIMER CENTER

## Nu 2.0 MPI



TARGET AREA 'A' FOR  
ORIGINALLY EQUIPPED PART

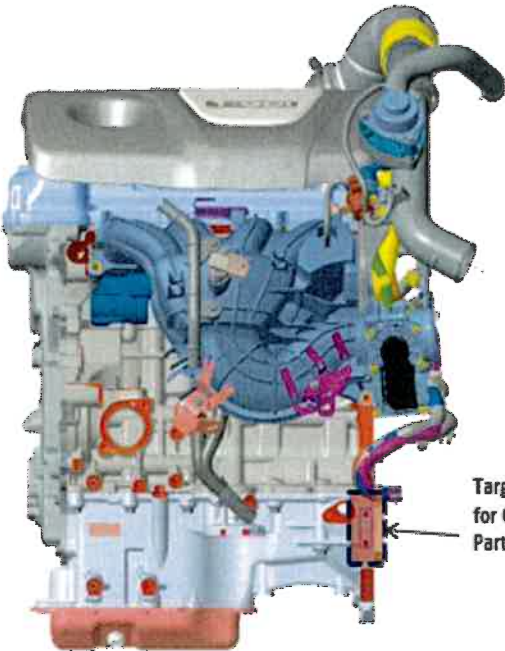


TARGET AREA FOR  
REPLACEMENT PART

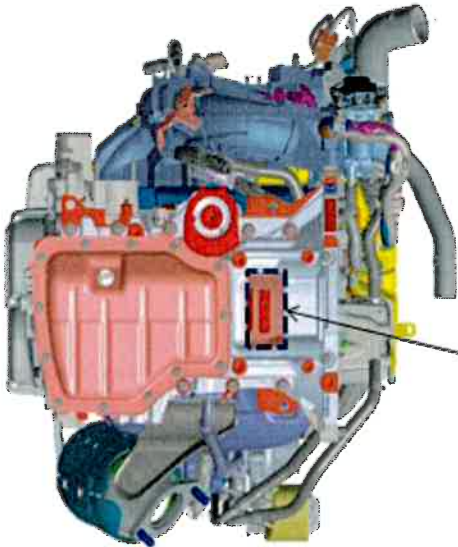
TARGET AREA 'B' FOR  
ORIGINALLY EQUIPPED PART  
(ALTERNATIVE)

In the case of engine which is originally installed,  
VIN label will be attached to a position either 'A' or 'B'.

# Gamma 1.6 TGDI



Target Area (V.I.N.)  
for Original Equipment  
Part

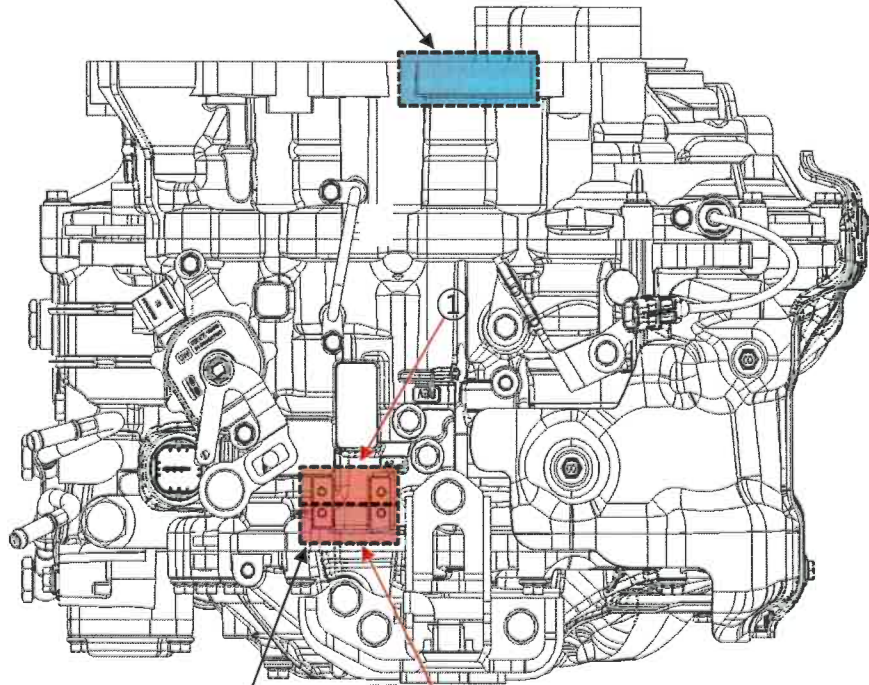


R  DOT  
Target Area for  
Replacement Part

# CVT

R  DOT OR R KMC DOT

TARGET AREA FOR  
REPLACEMENT PART

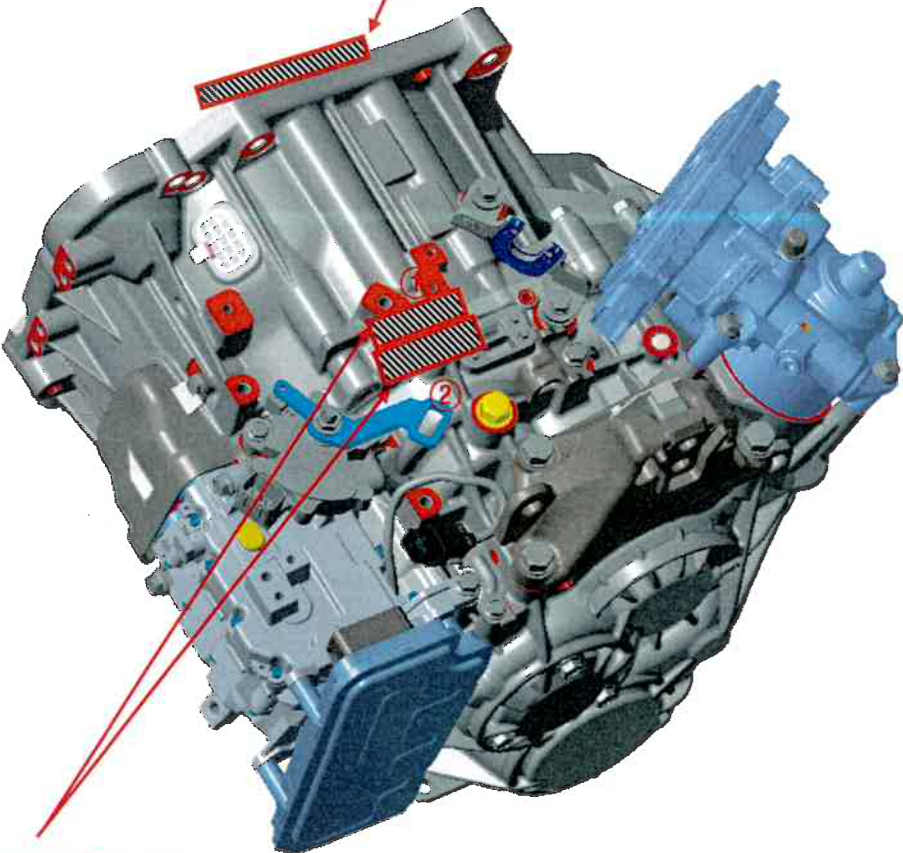


TARGET AREA FOR  
ORIGINALLY EQUIPPED PART  
(ATTACH ONE VIN PLATE LOCATION 1 OR 2.)

**DCT**

**TARGET AREA FOR  
REPLACEMENT PART**

R KIA DOT or R KMC DOT



**TARGET AREA FOR  
ORIGINALLY EQUIPPED PART**



**ATTACH ONE VIN PLATE LOCATION 1 OR 2.**