

## **VIN marking area for Rio model**

1. Hood
2. Tail gate / Trunk Lid
3. Front Fender (LH/RH)
4. Front Door (LH/RH)
5. Rear Door (LH/RH)
6. Side Outer Panel (LH/RH)
7. Front Bumper
8. Rear Bumper
9. Engine
10. Transmission (AT/MT)

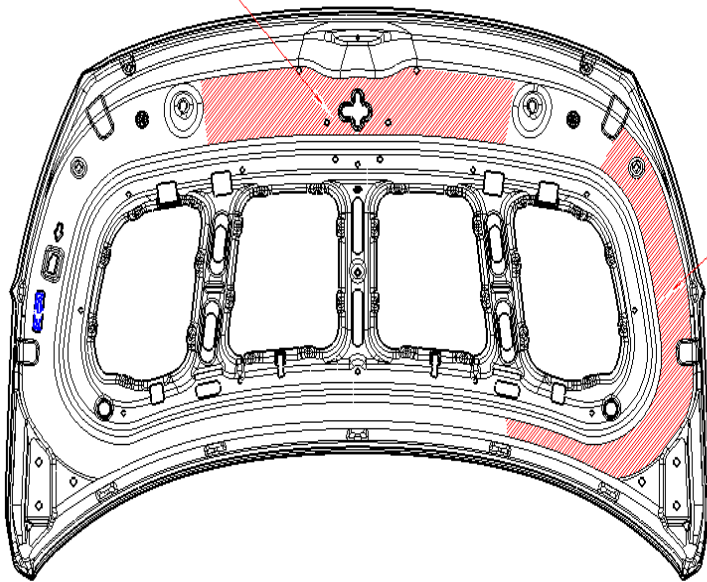


The Power to Surprise

# Hood

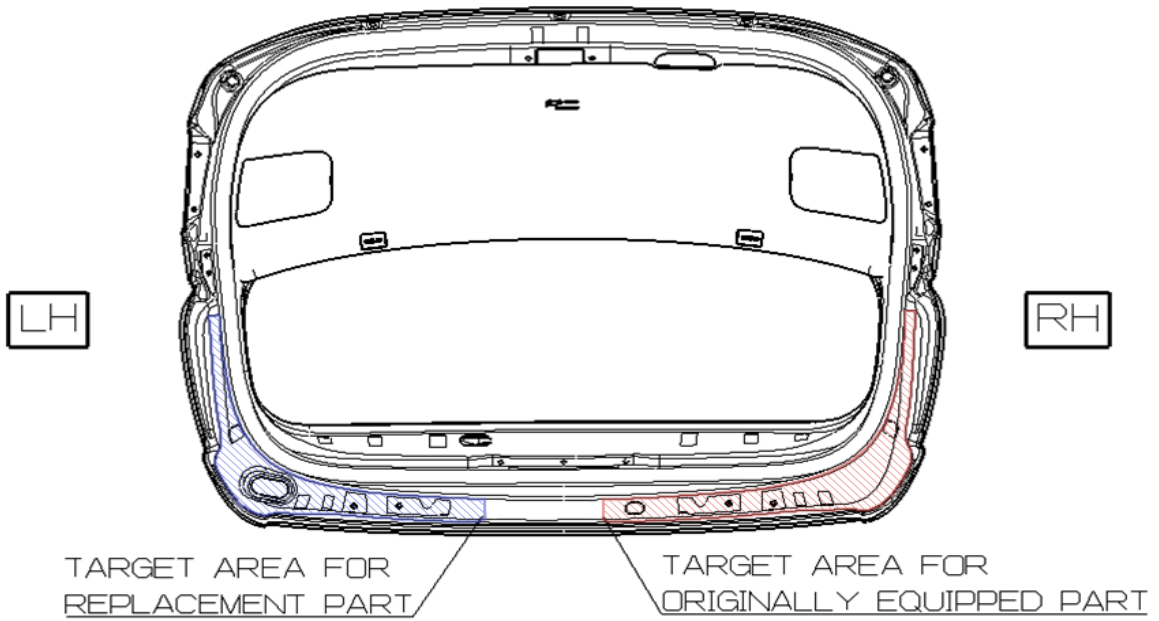
TARGET AREA FOR  
REPLACEMENT PART

TARGET AREA FOR  
ORIGINALLY EQUIPPED PART



LH

# Tail gate (5Dr)

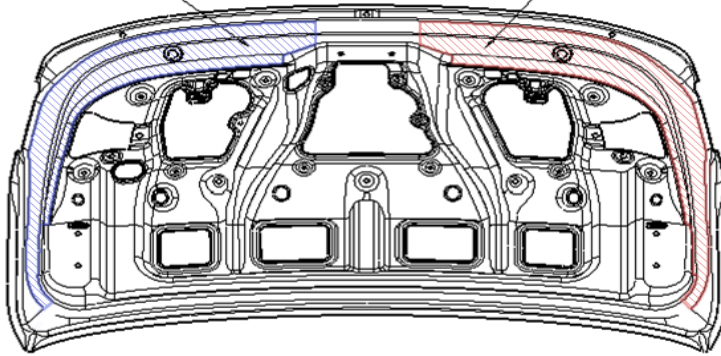


# Trunk Lid (4Dr)

TARGET AREA FOR  
REPLACEMENT PART

TARGET AREA FOR  
ORIGINALLY EQUIPPED PART

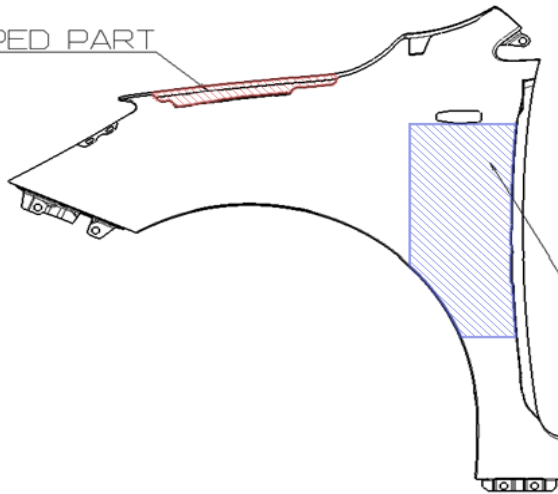
LH



RH

# Front Fender (LH/RH)

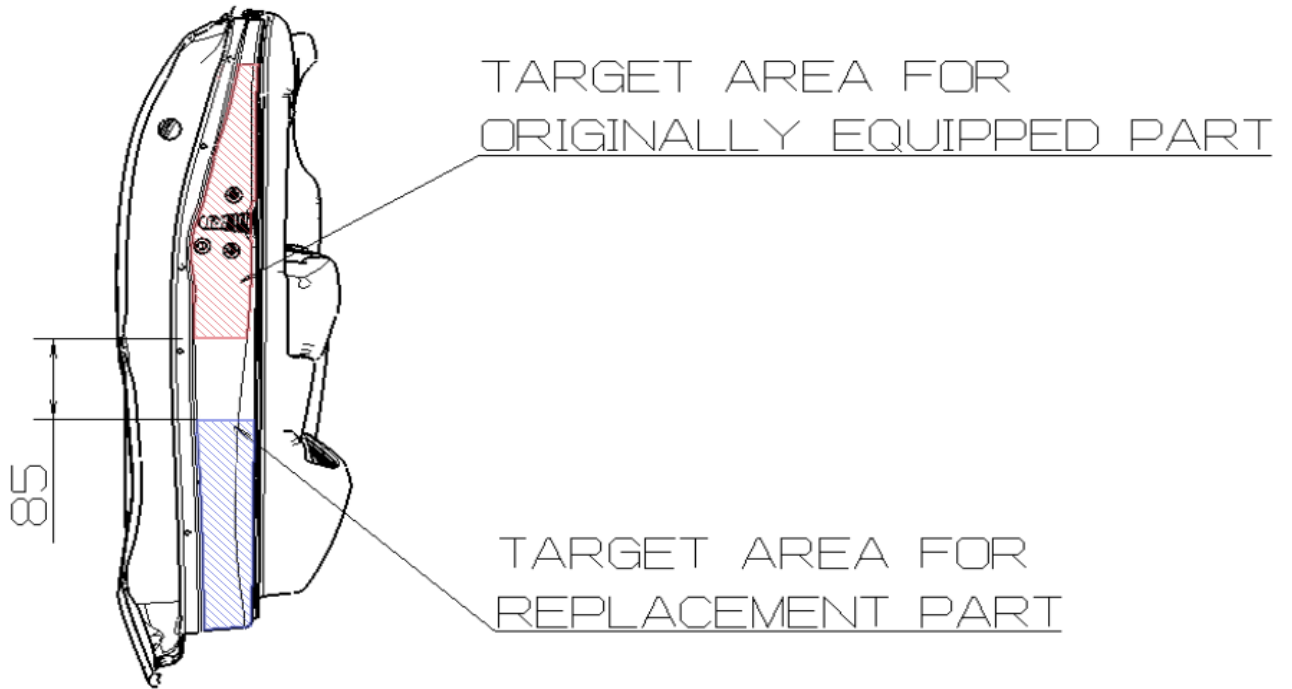
TARGET AREA FOR  
ORIGINALLY EQUIPPED PART



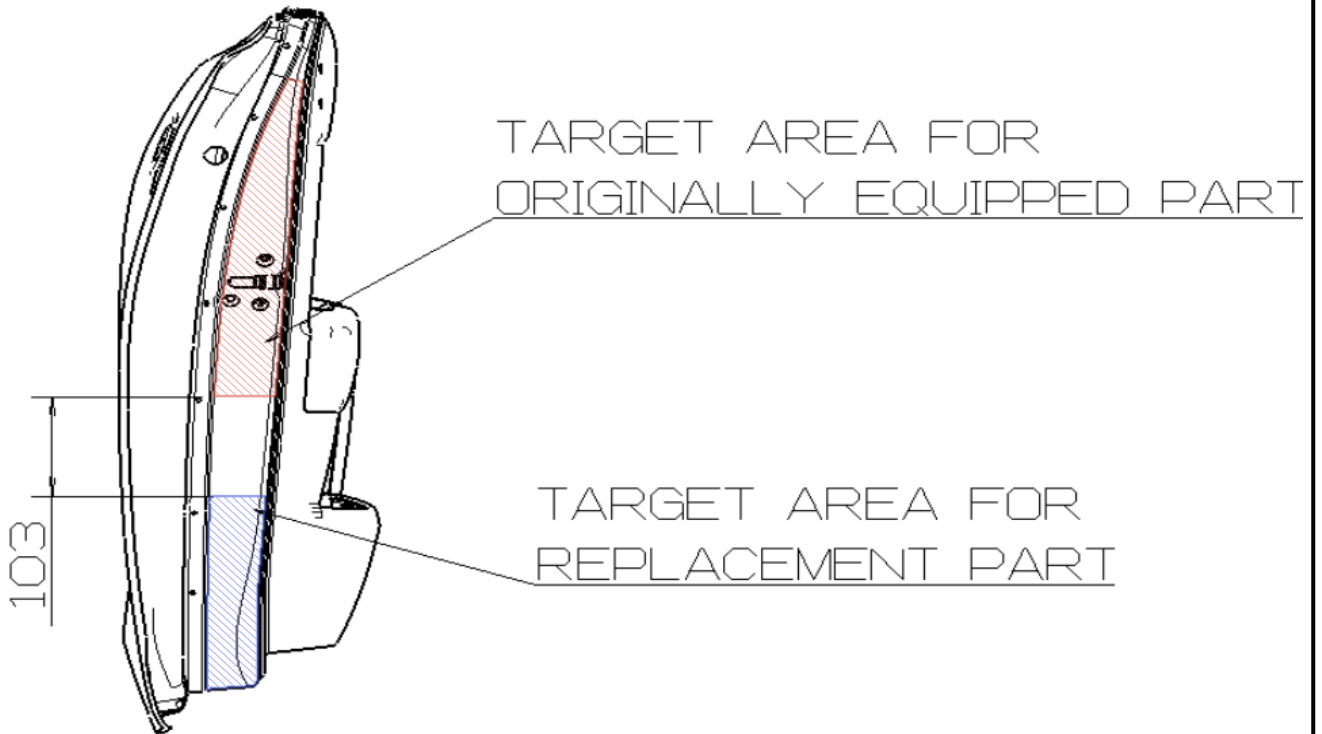
TARGET AREA FOR  
REPLACEMENT PART

(FENDER, LH/RH)

## Front Door (LH/RH)

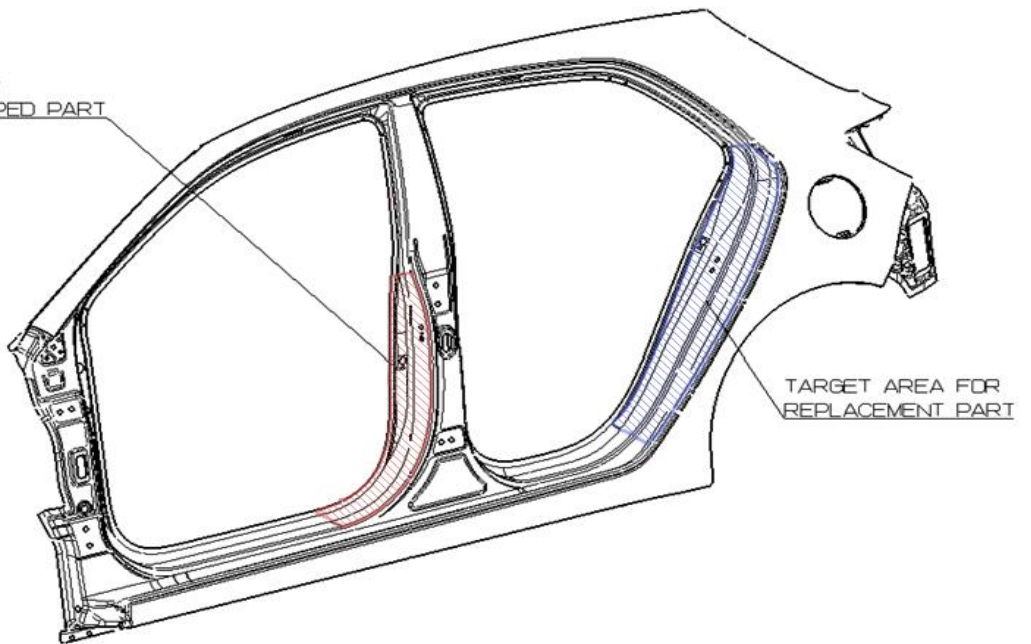


## Rear Door (LH/RH)



# Side Outer Panel (LH/RH)

TARGET AREA FOR  
ORIGINALLY EQUIPPED PART



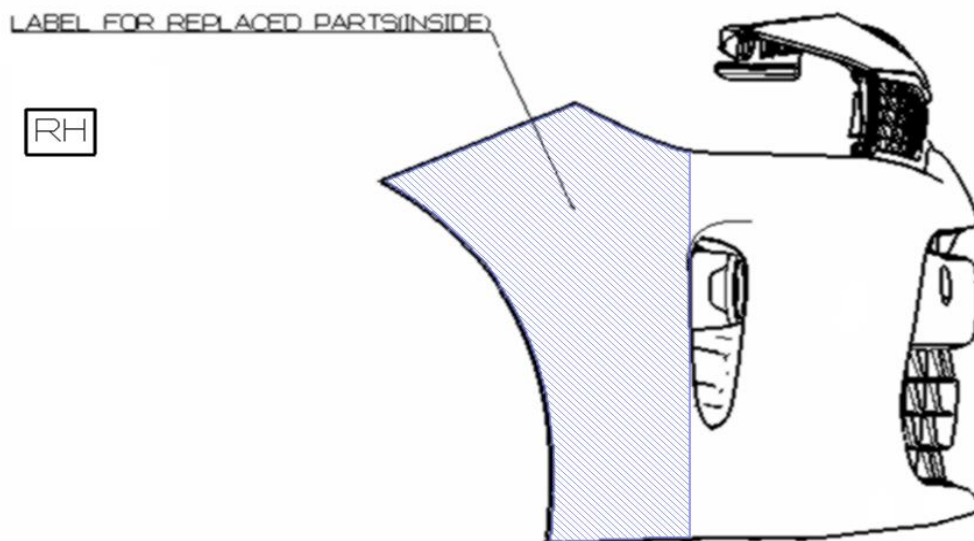
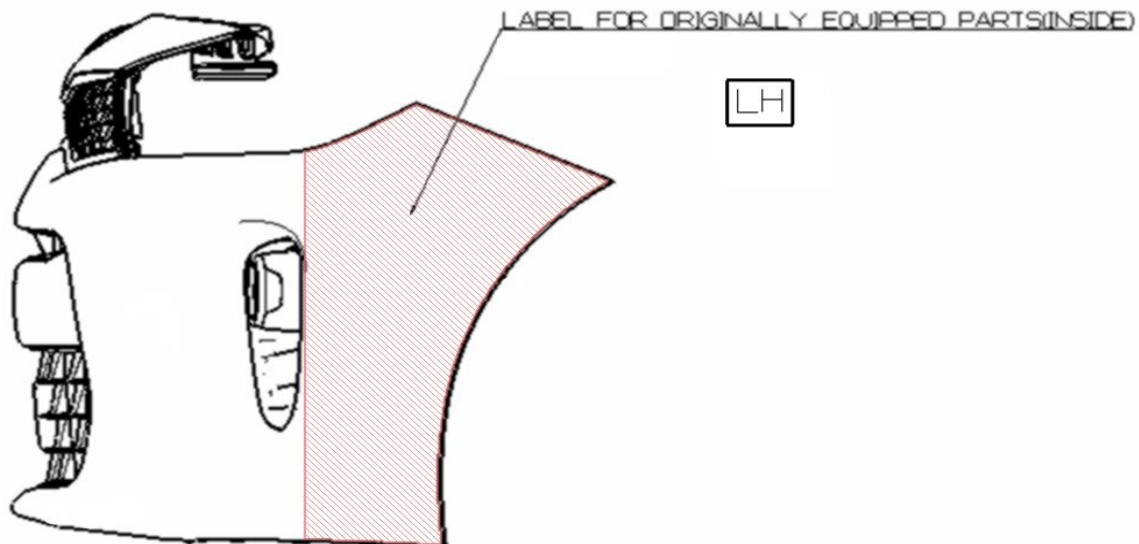
TARGET AREA FOR  
REPLACEMENT PART

(SIDE OTR PNL, LH/RH)

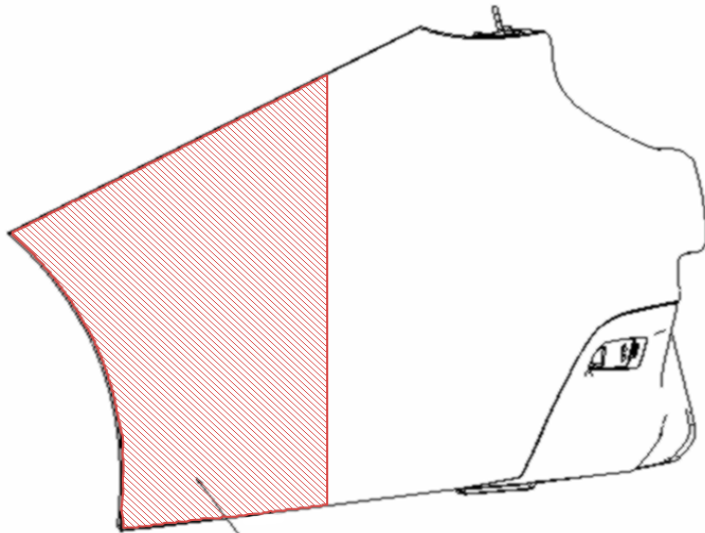
<4/5Dr>



# Front Bumper (4/5Dr)

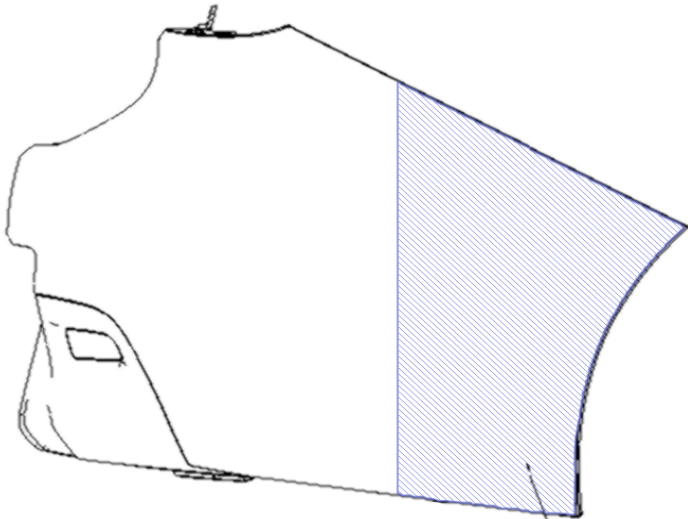


# Rear Bumper (4Dr)



LH

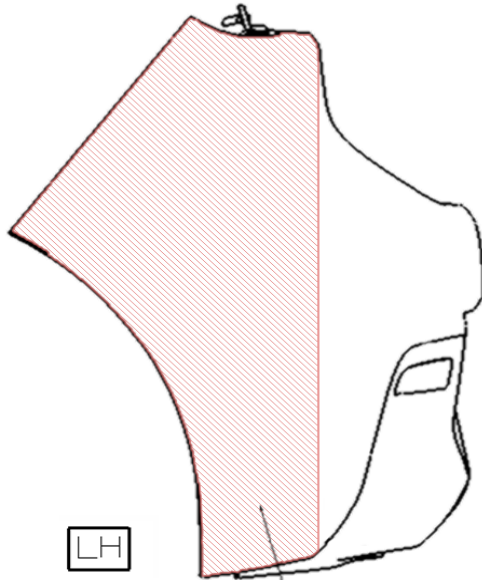
LABEL FOR ORIGINALLY EQUIPPED PARTS (INSIDE)



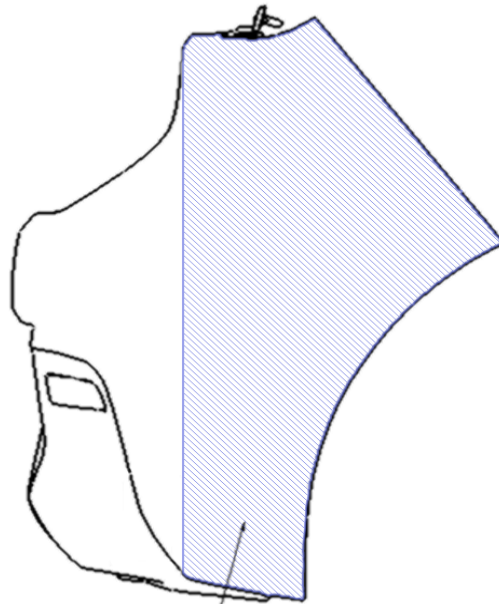
RH

LABEL FOR REPLACED PARTS (INSIDE)

# Rear Bumper (5Dr)

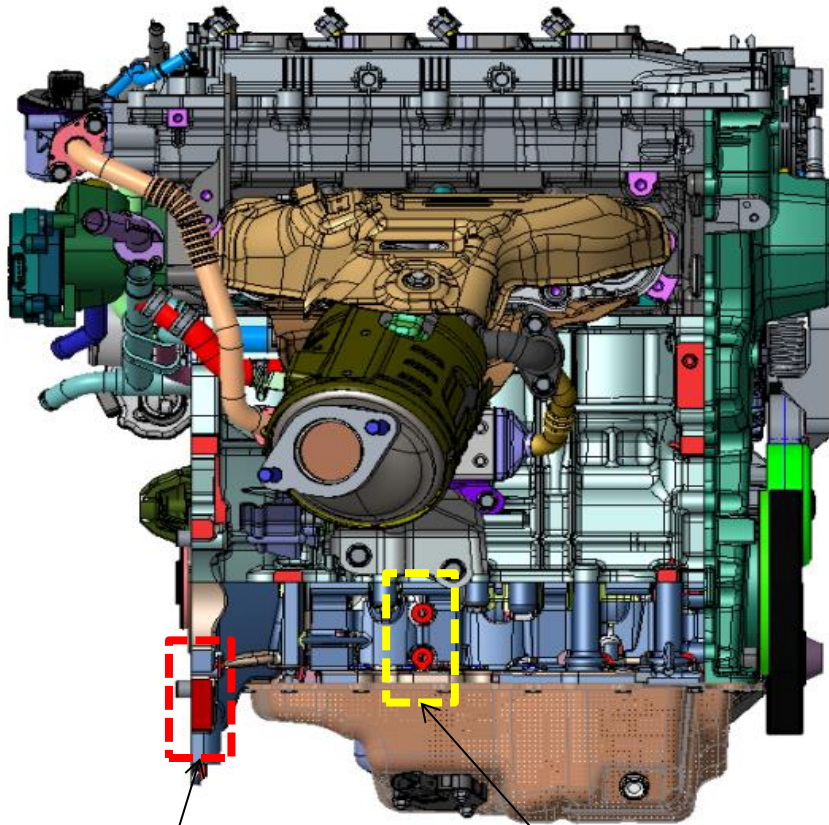


LABEL FOR ORIGINALLY EQUIPPED PARTS (INSIDE)



LABEL FOR REPLACED PARTS (INSIDE)

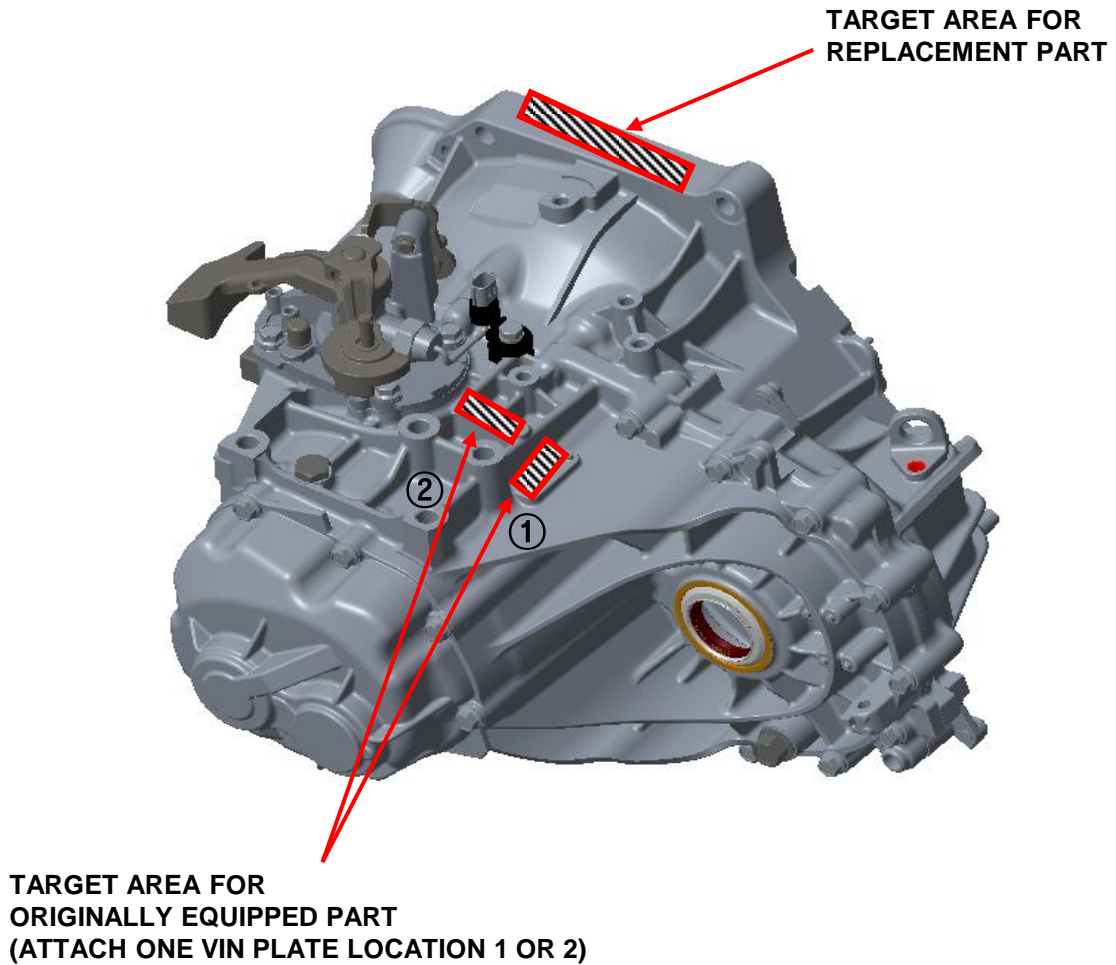
# Engine (G II 1.6 MPI)



Target area for  
replacement part

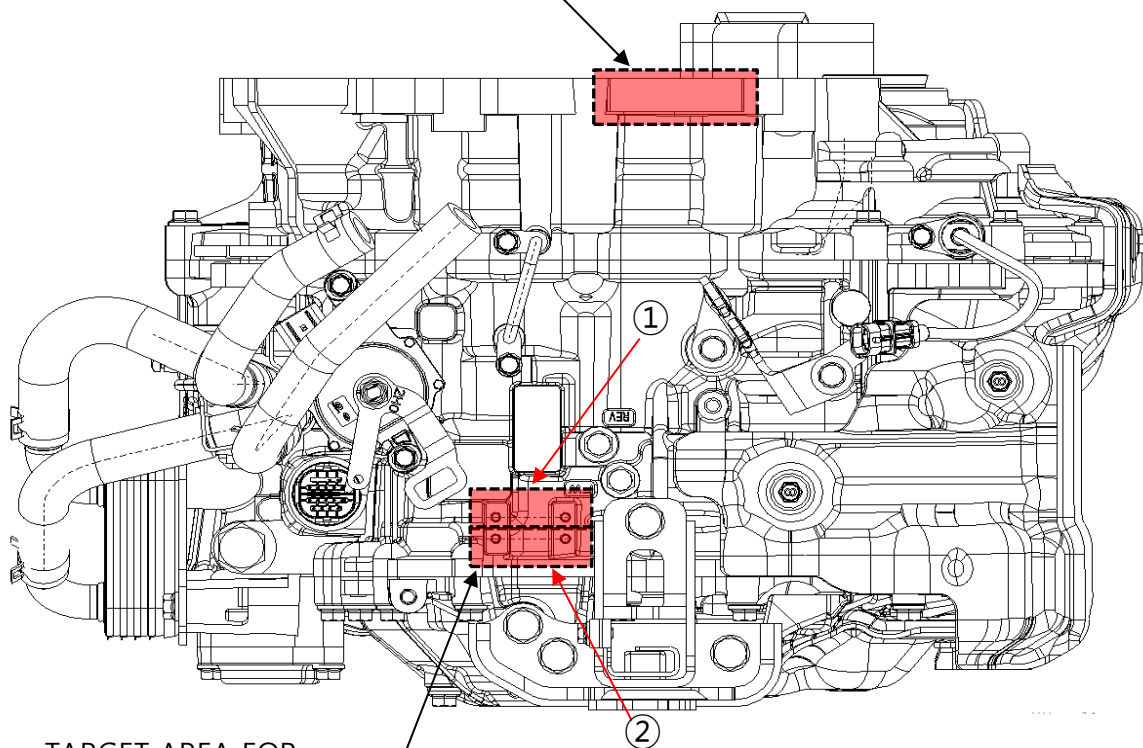
Target area (V.I.N)  
for original equipment part

# Transmission (Manual for G II 1.6 MPI Engine)



# Transmission (CVT for G II 1.6 MPI Engine)

TARGET AREA FOR  
REPLACEMENT PART



TARGET AREA FOR  
ORIGINALLY EQUIPPED PART  
(ATTACH ONE VIN PLATE LOCATION 1 OR 2.)