

VIN marking area for Venue model

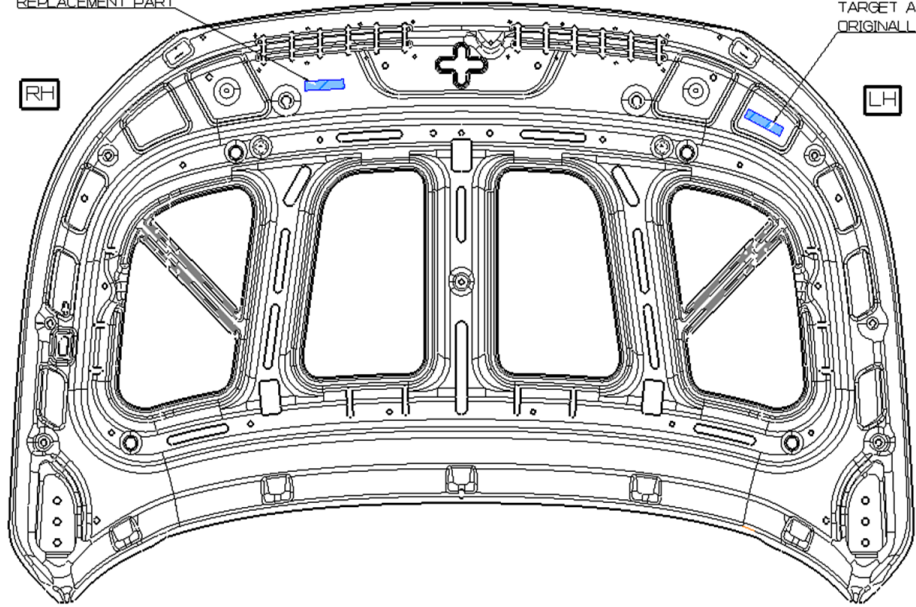
- 1. Hood**
- 2. Tail gate**
- 3. Front Fender (LH/RH)**
- 4. Front Door (LH/RH)**
- 5. Rear Door (LH/RH)**
- 6. Side Outer Panel (LH/RH)**
- 7. Front Bumper**
- 8. Rear Bumper**
- 9. Engine**
- 10. Transmission [CVT/MT]**



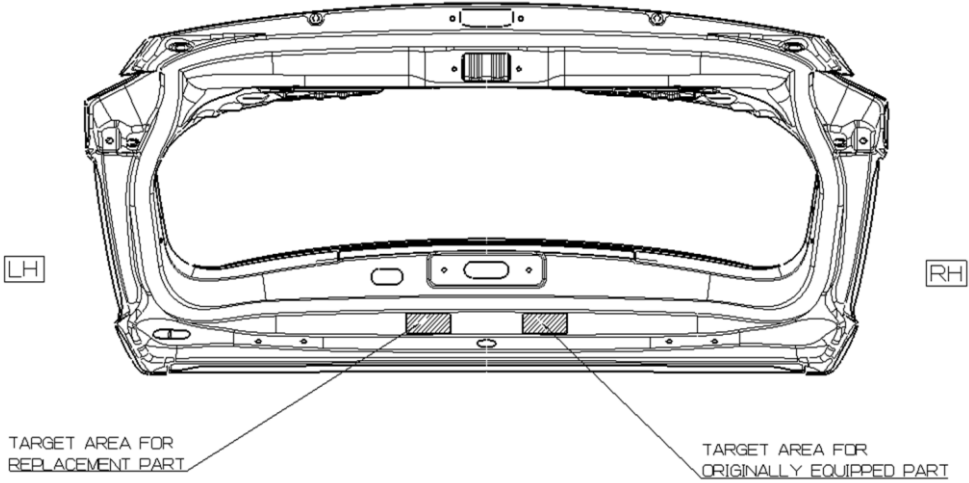
Hood

TARGET AREA FOR
REPLACEMENT PART

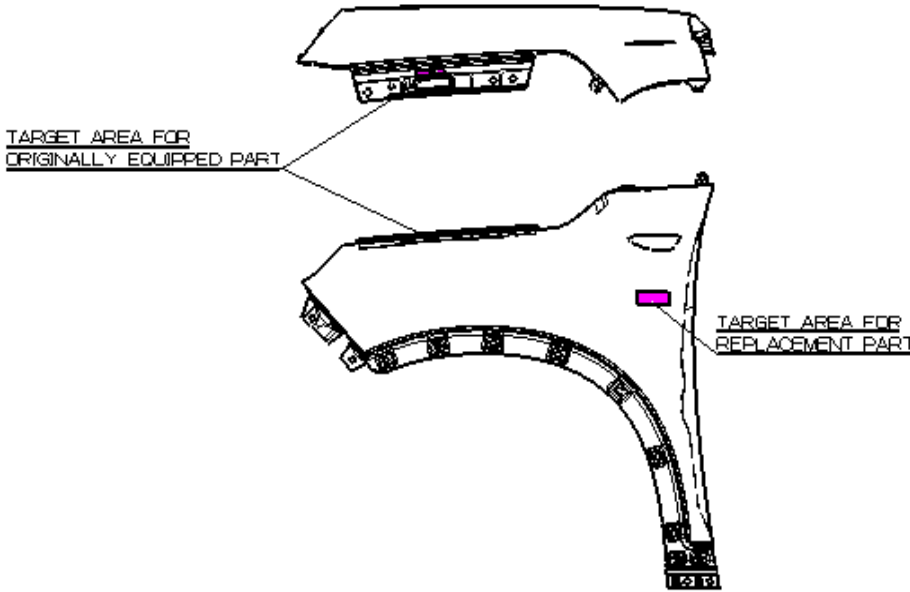
TARGET AREA FOR
ORIGINALLY EQUIPPED PART



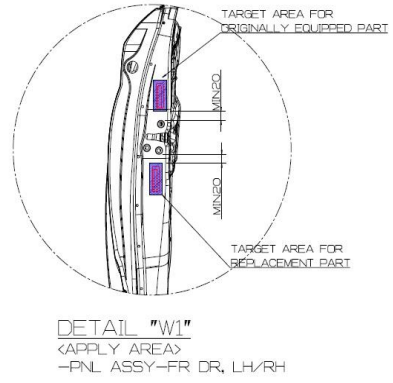
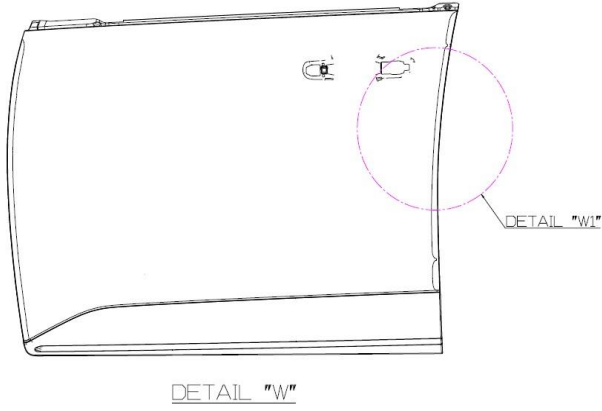
Tail Gate



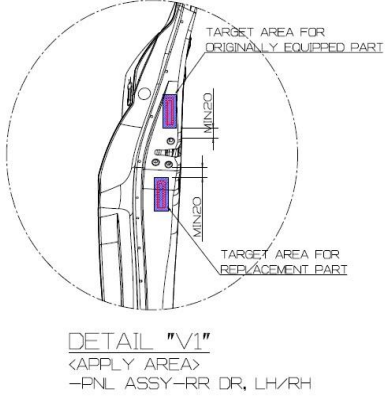
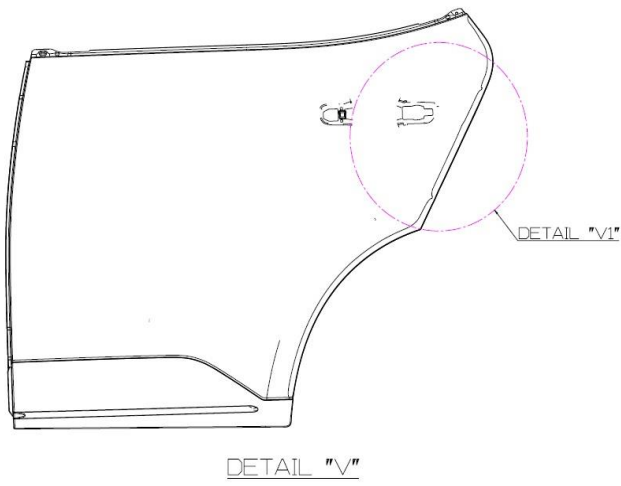
Front Fender LH / RH



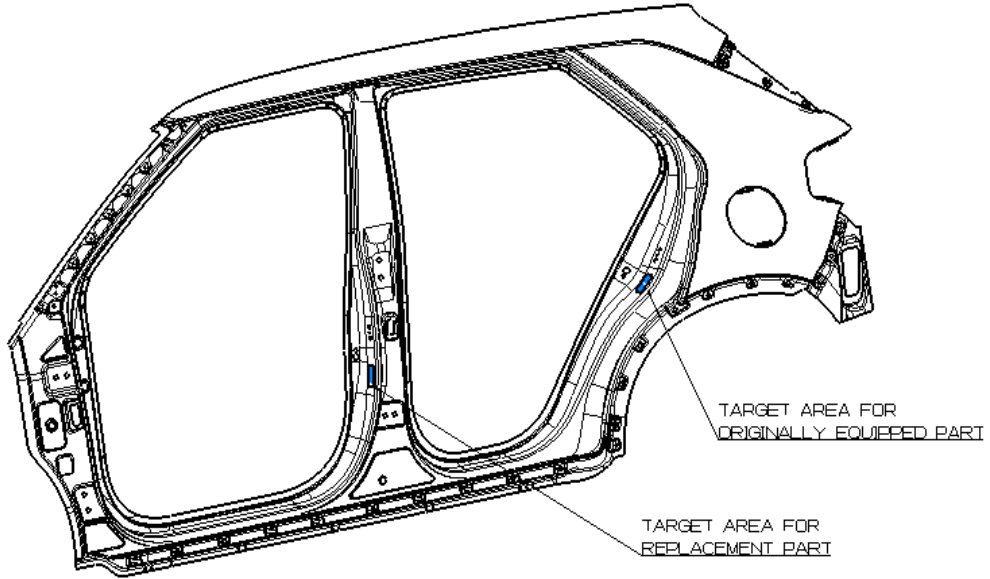
Front Door LH / RH



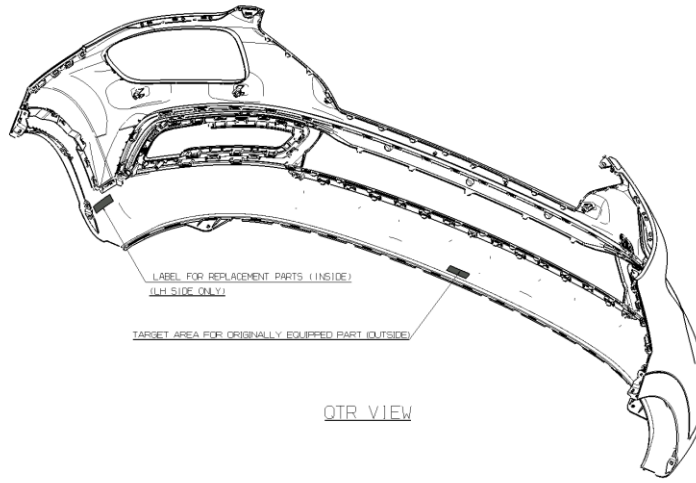
Rear Door LH / RH



Side Outer Panel LH / RH

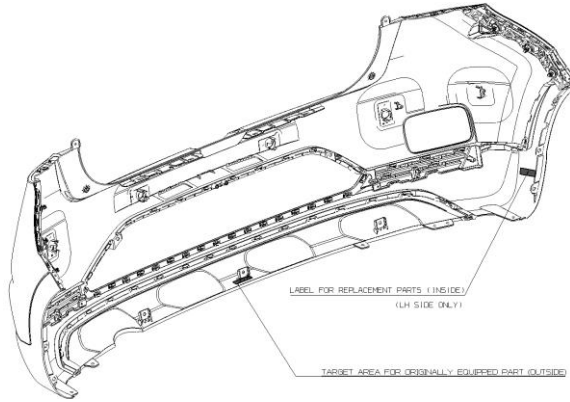


Front Bumper

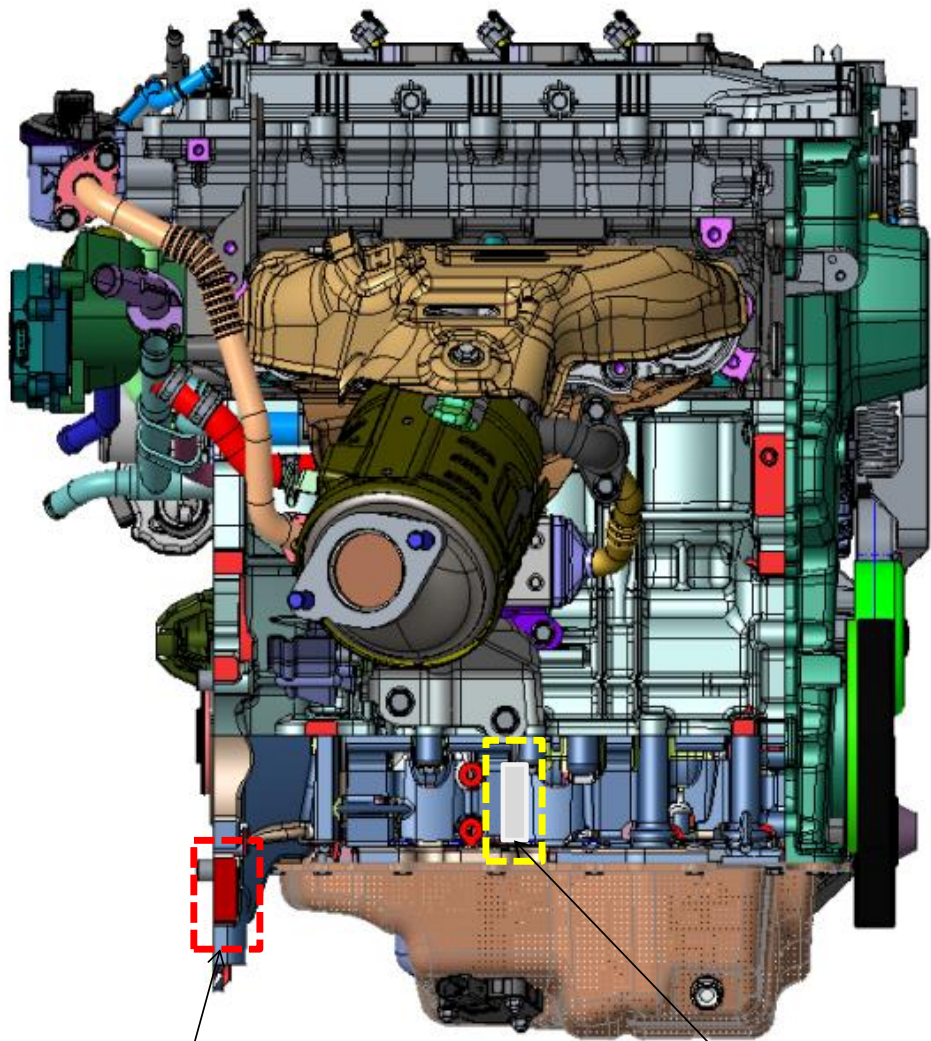


QTR VIEW

Rear Bumper



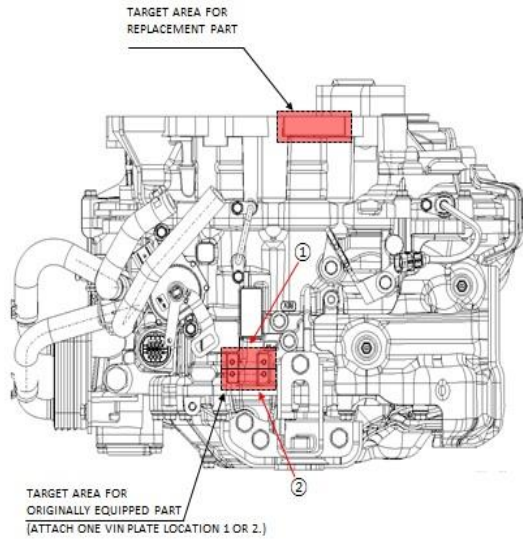
Engine - 1.6L MPI



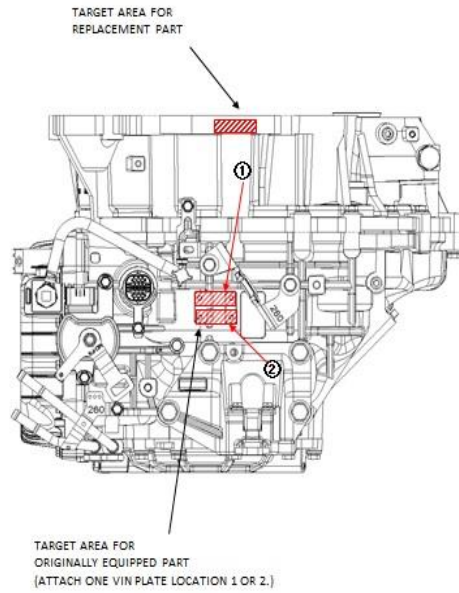
Target area for replacement part

Target area (V.I.N) for original equipment part

Transmission



AT, C0GF1



AT, A6GF1-2

Transmission

