

## **VIN marking area for Soul EV model**

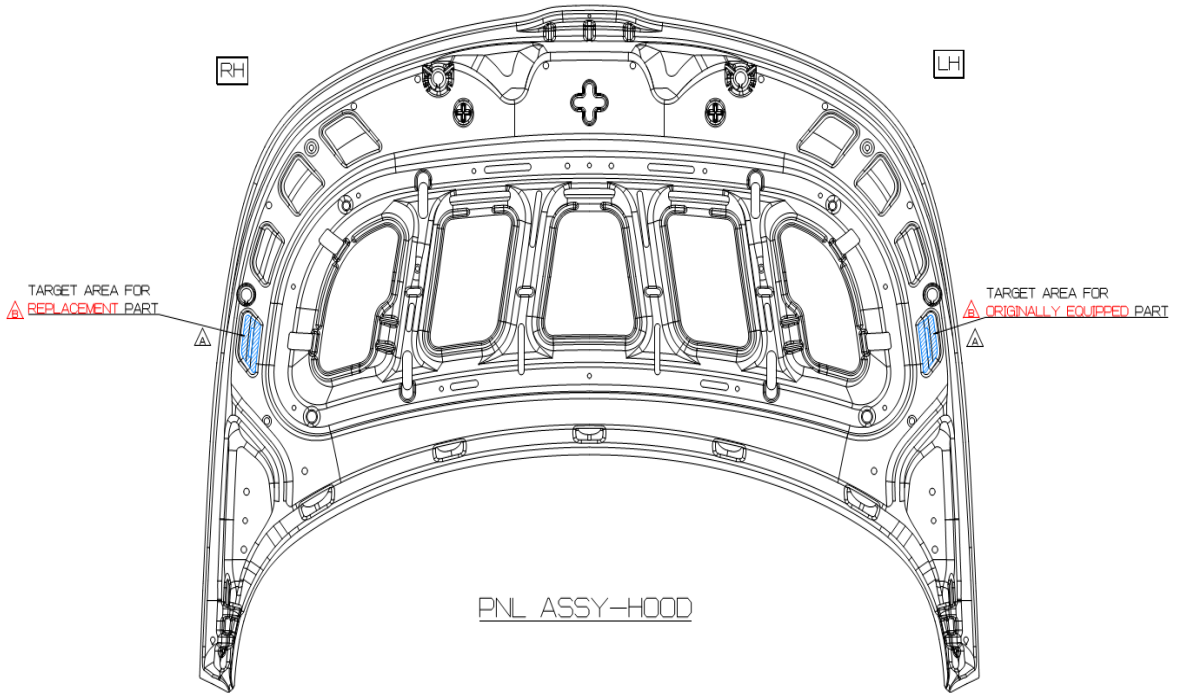
---

---

1. Hood
2. Tailgate
3. Front Fender (LH/RH)
4. Front Door (LH/RH)
5. Rear Door (LH/RH)
6. Side Outer Panel (LH/RH)
7. Front Bumper
8. Rear Bumper
9. Motor
10. Decelerator

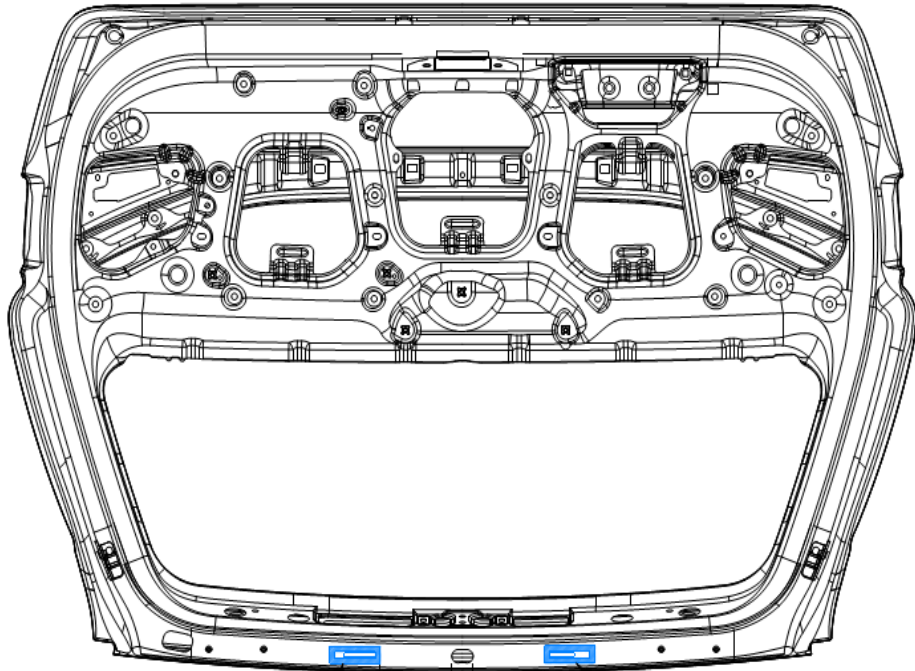


# Hood



# Inside View

# Tailgate



LH

RH

TARGET AREA FOR  
△ ORIGINALLY EQUIPPED PART

TARGET AREA FOR  
△ REPLACEMENT PART



TAIL GATE

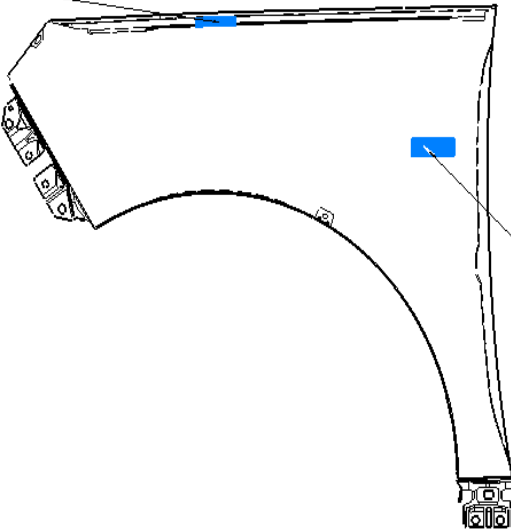
## Inside View

# Front Fender LH / RH



Top view (1:5)

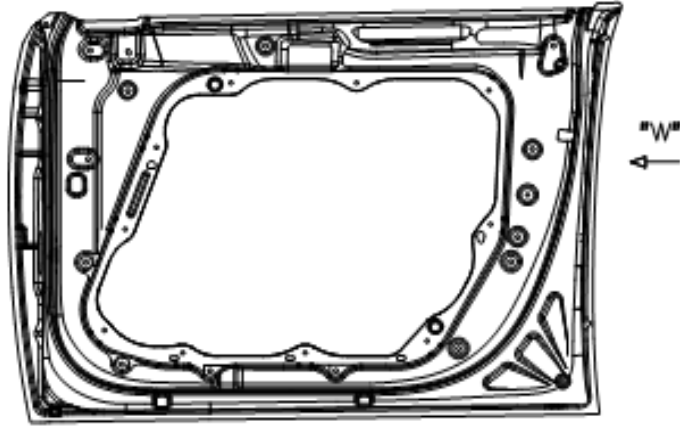
TARGET AREA FOR  
ORIGINALLY EQUIPPED PART



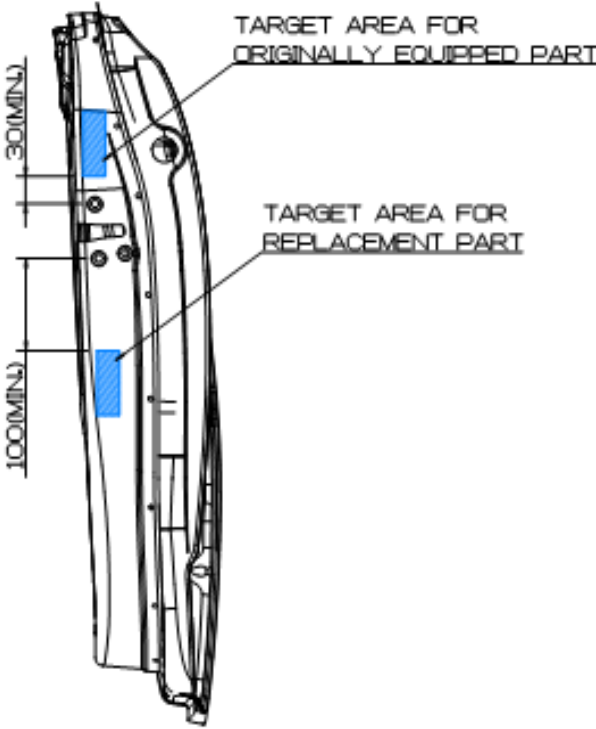
TARGET AREA FOR  
REPLACEMENT PART

PNL-FENDER, L/R

# Front Door LH / RH

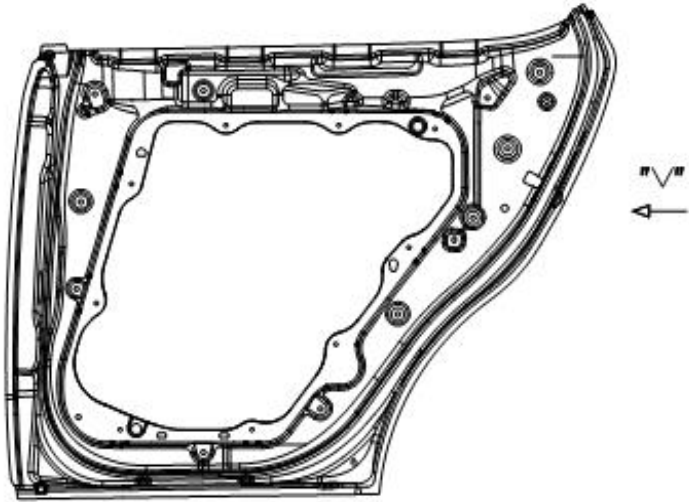


PNL ASSY-FR DR, L/R

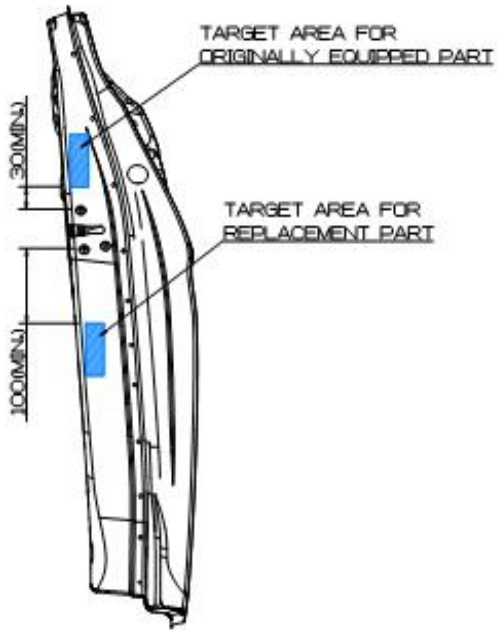


VIEW "W"

# Rear Door LH / RH

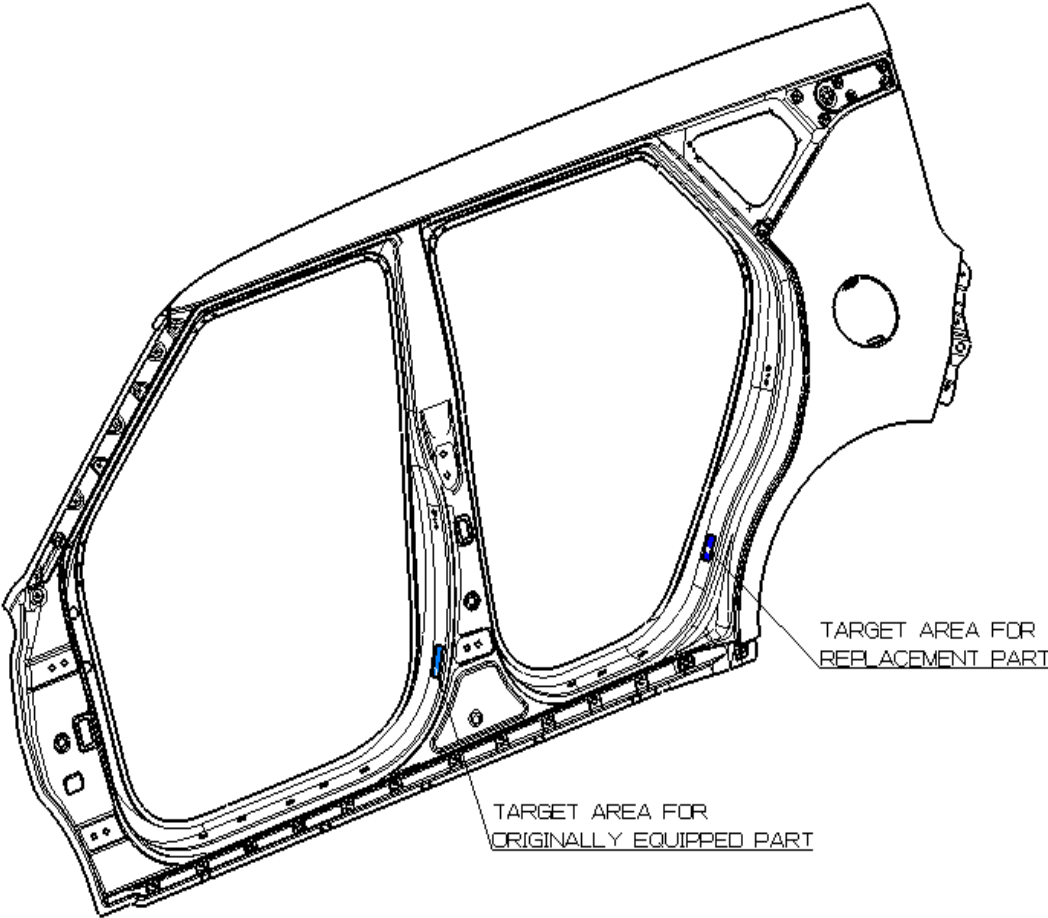


P.N. ASSY-RR DR, L/R



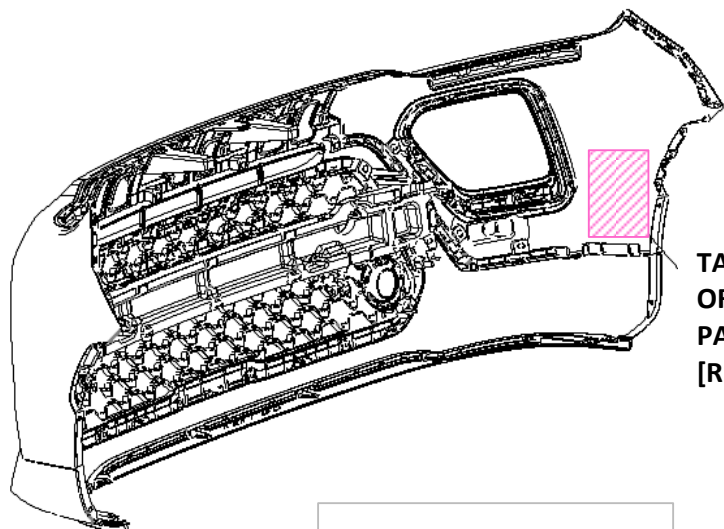
VIEW "V"

**Side Outer Panel LH / RH**



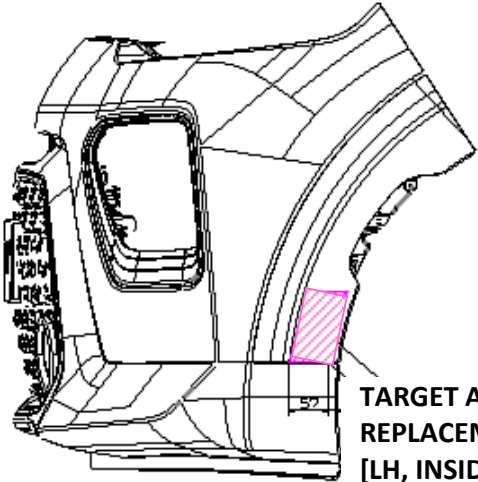
PNL-SIDE OTR, L/R

# Front Bumper



TARGET AREA FOR  
ORIGINALLY EQUIPPED  
PART  
[RH, INSIDE]

Inside View

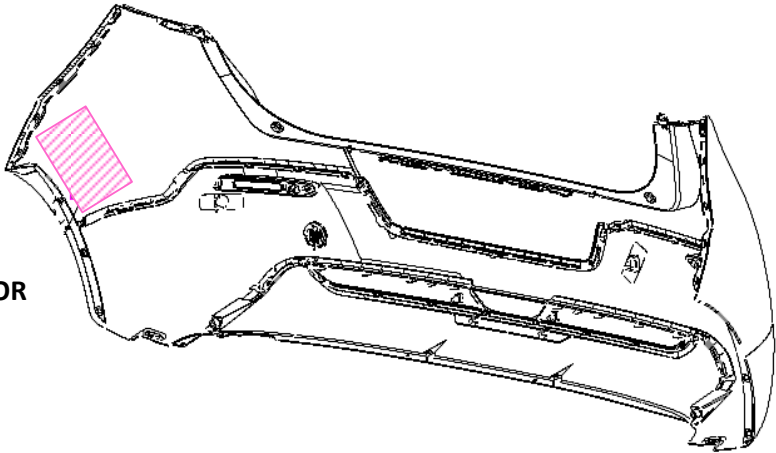


TARGET AREA FOR  
REPLACEMENT PART  
[LH, INSIDE]

Inside View

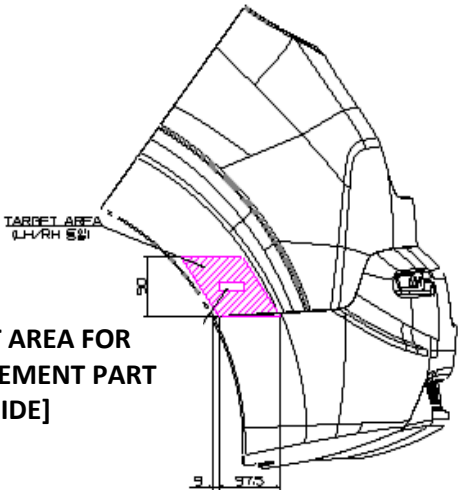


# Rear Bumper



TARGET AREA FOR  
ORIGINALLY  
EQUIPPED PART  
[RH, INSIDE]

Inside View

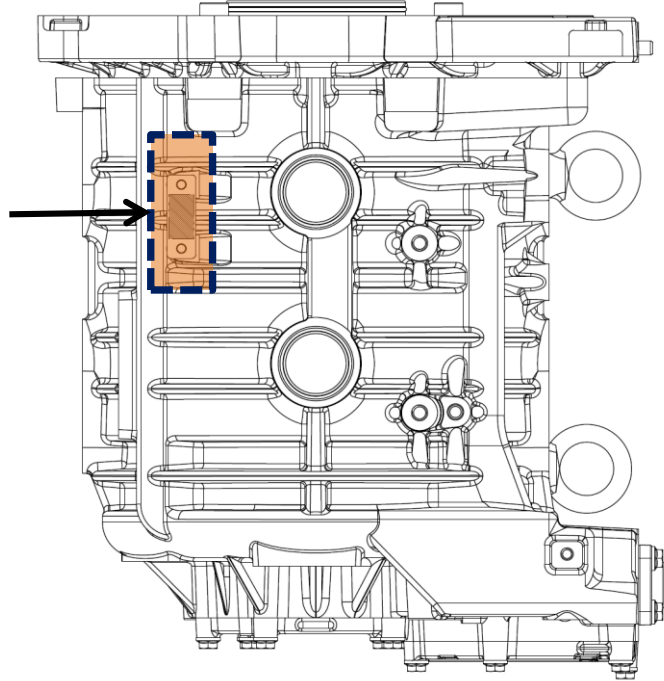


TARGET AREA FOR  
REPLACEMENT PART  
[LH, INSIDE]

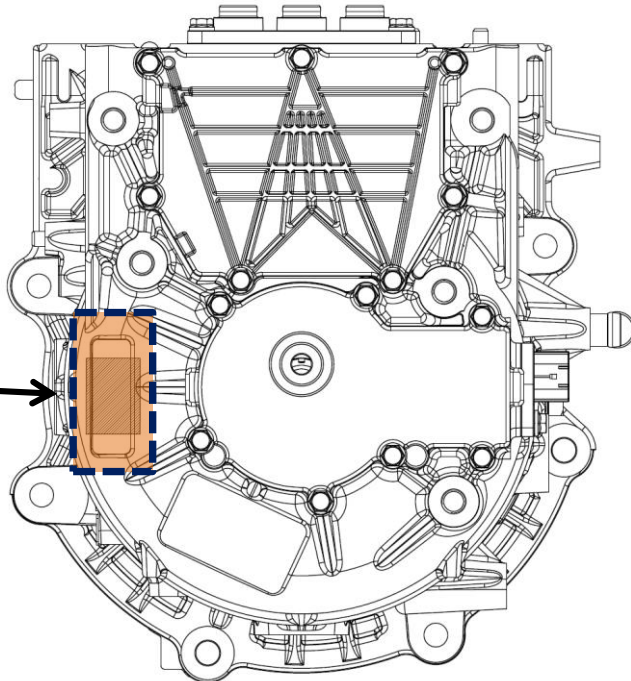
Inside View

# Motor

Target Area (V.I.N.)  
for Originally  
Equipped Part

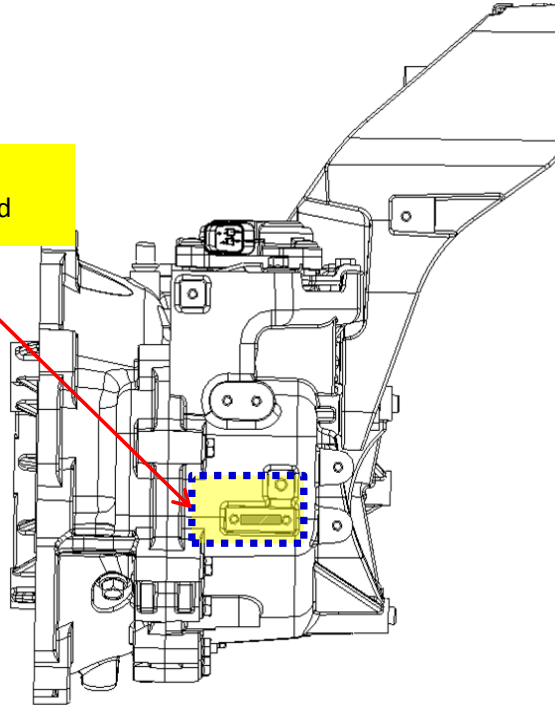


Target Area for  
Replacement Part



# Decelerator

Target area for  
originally equipped  
part



Target area for  
replacement part

