



June 4, 2019  
Our Ref: W-2094-B

Docket Management Facility  
U.S. Department of Transportation  
1200 New Jersey Avenue, S.E.  
West Building, Ground Floor, Room W12-140  
Washington, D.C. 20590-0001

**Re: 2020 Model Year GT-R NISMO Theft Target Areas  
Docket No. NHTSA-2009-0069**

Nissan North America, Inc. on its behalf, and on behalf of Nissan Motor Company, Ltd., of Yokohama, Japan ("Nissan") hereby transmits the enclosed information for the 2020 model year Nissan GT-R NISMO pursuant to 49 CFR Part 541.5(e)(2) and 49 CFR Part 541.6(e)(3). The attached drawing supplements our previous submissions, and identifies the target areas for both production and replacement parts.

Sincerely,

A handwritten signature in blue ink, appearing to read "A. Cardinali", with a long horizontal flourish extending to the left.

---

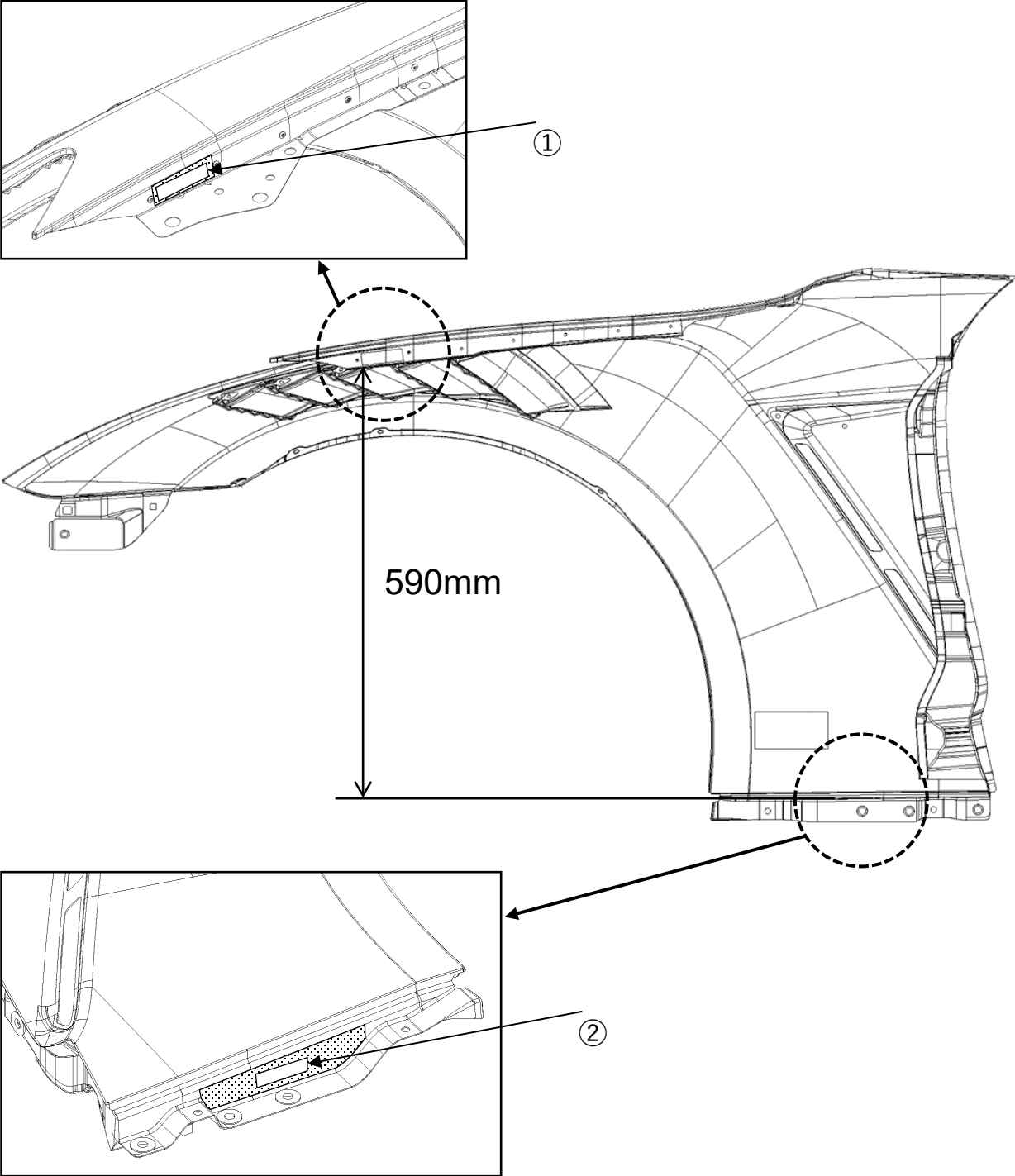
Alex Cardinali  
Senior Manager, Innovation Policy & Safety  
Government Affairs  
Nissan North America, Inc.

Enclosure

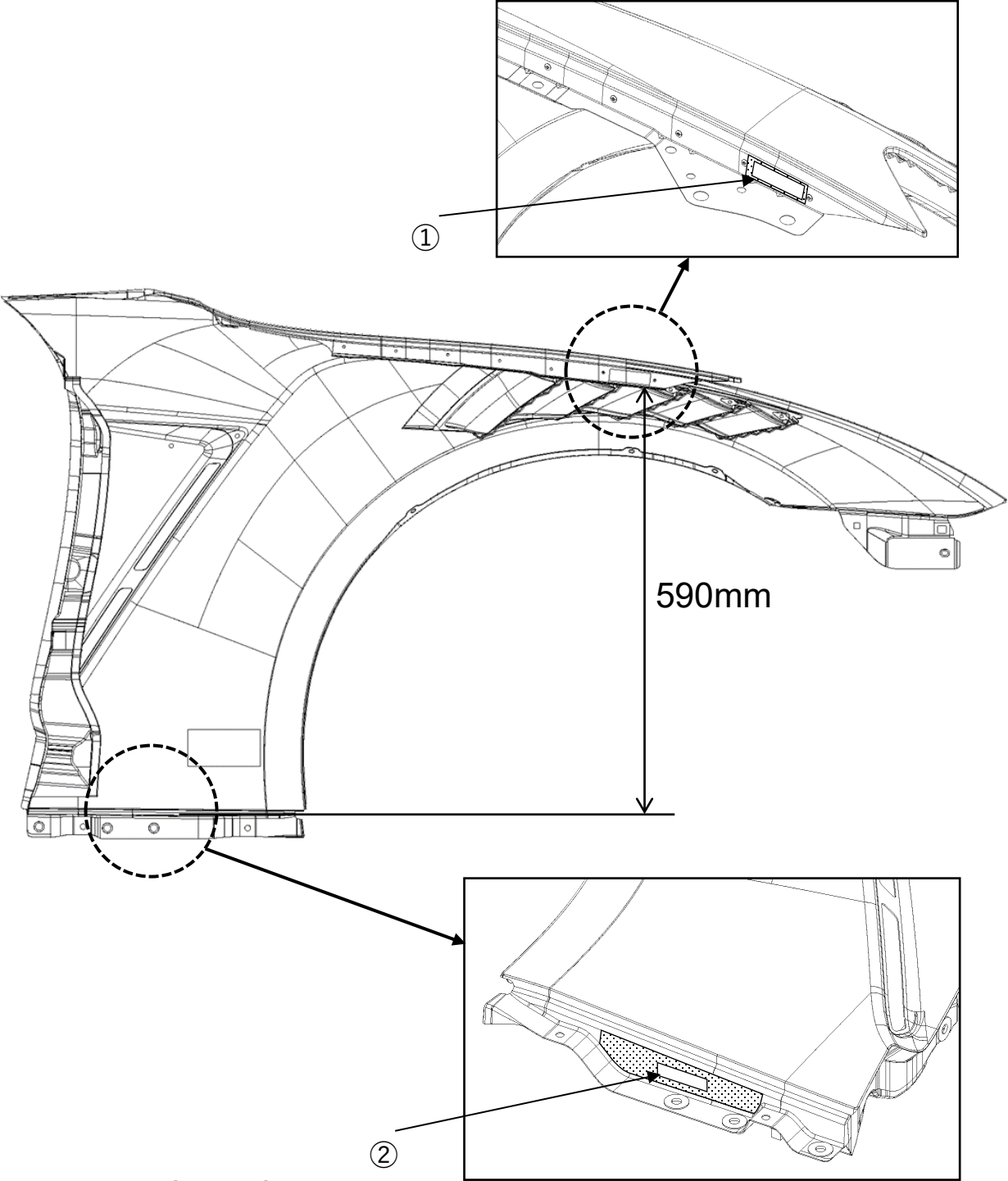
Attachment I: 2020 Model Year Nissan GT-R NISMO Theft Target Areas

# Attachment I

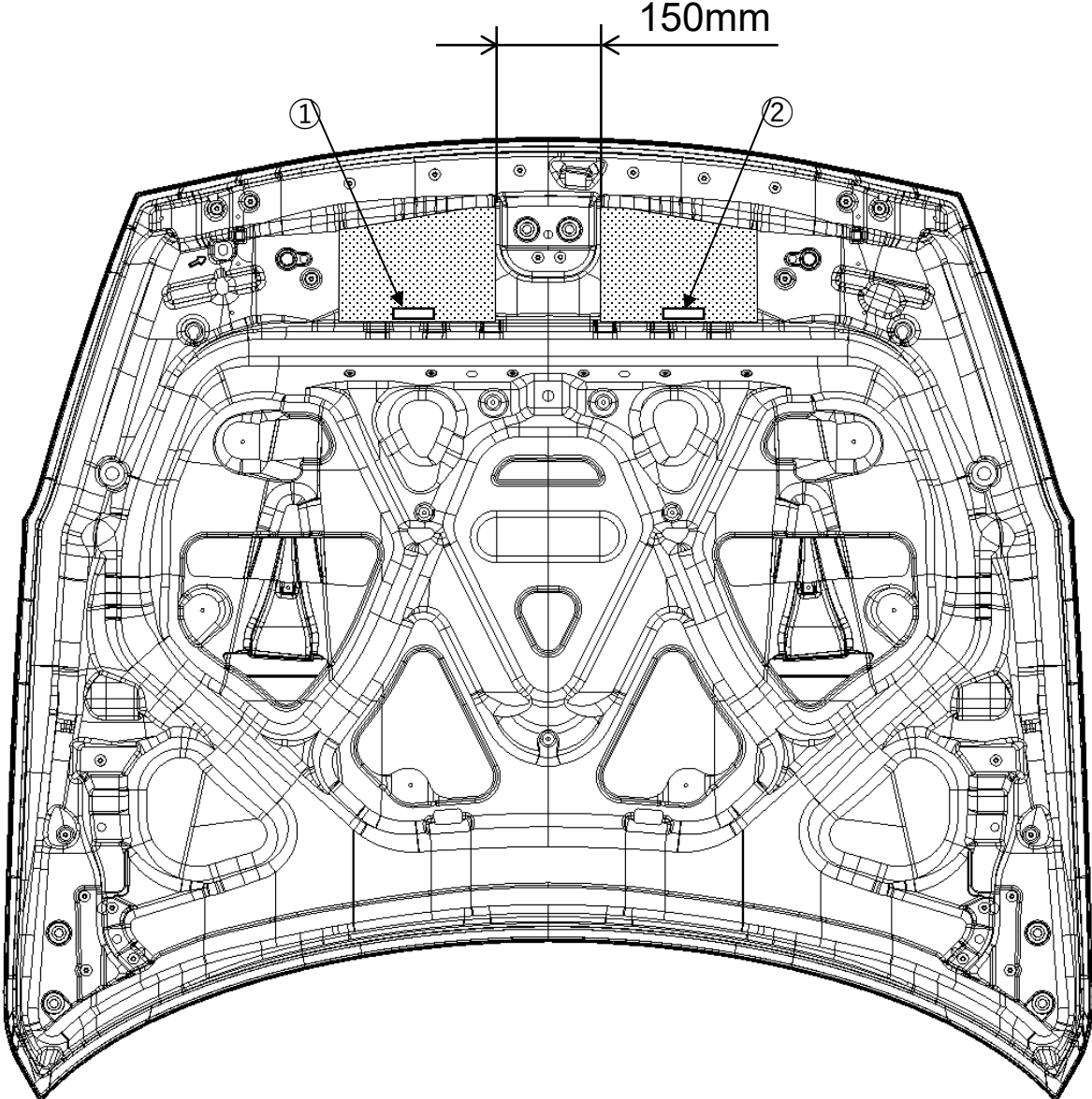
2020 Model Year Infiniti GT-R NISMO Theft Target Areas



Distance between ① and ② is more than 100mm



Distance between ① and ② is more than 100mm



Distance between ① and ② is more than 100mm