

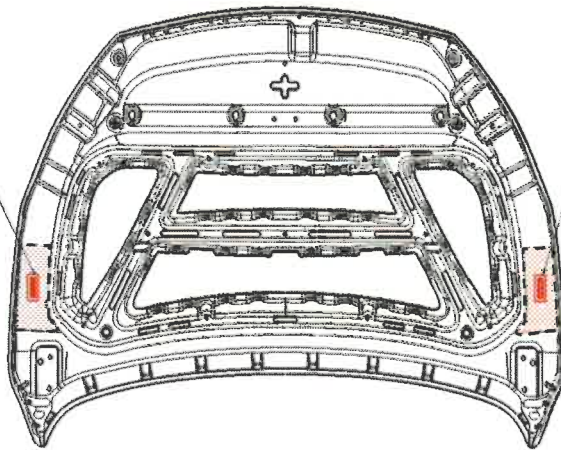
VIN marking area for Sorento model

1. Hood
2. Tail gate
3. Front Fender (LH/RH)
4. Front Door (LH/RH)
5. Rear Door (LH/RH)
6. Side Outer Panel (LH/RH)
7. Front Bumper
8. Rear Bumper
9. Engine
10. Transmission



Hood

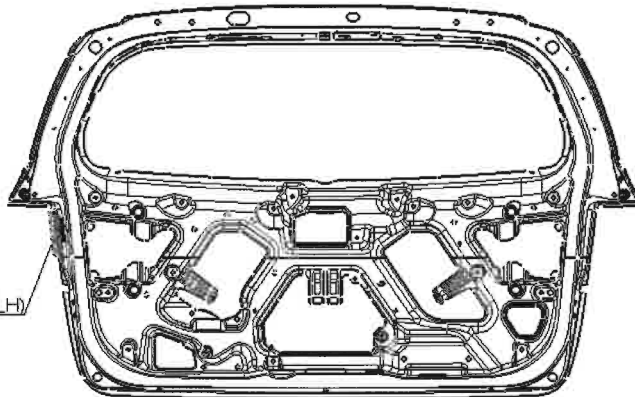
TARGET AREA FOR
REPLACEMENT PART



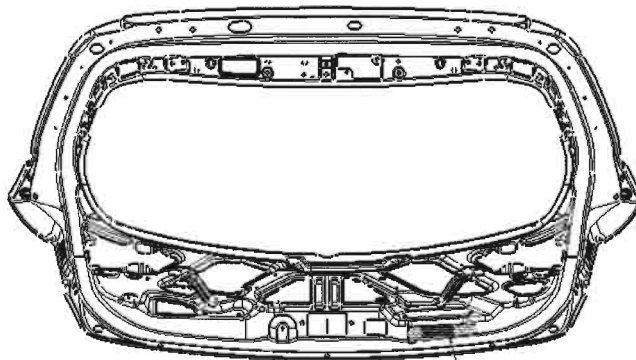
TARGET AREA FOR
ORIGINALLY EQUIPPED PART (LH)

Tail Gate

TARGET AREA FOR
ORIGINALLY EQUIPPED PART (LH)



TARGET AREA FOR
REPLACEMENT PART (RH)

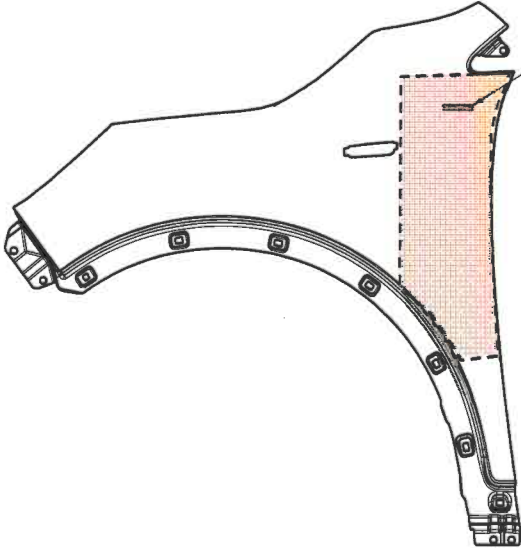


Front Fender LH / RH

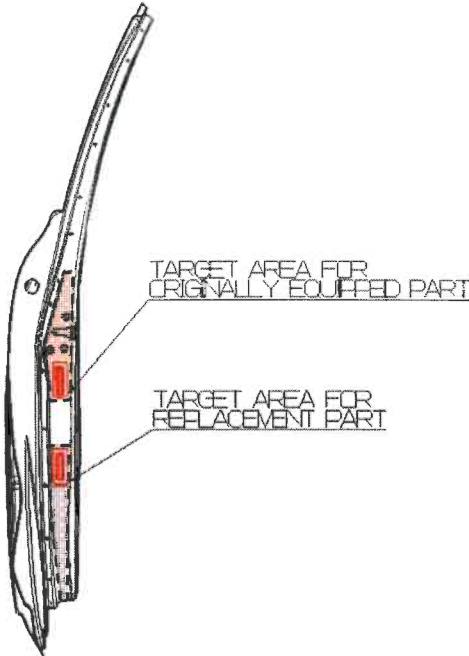
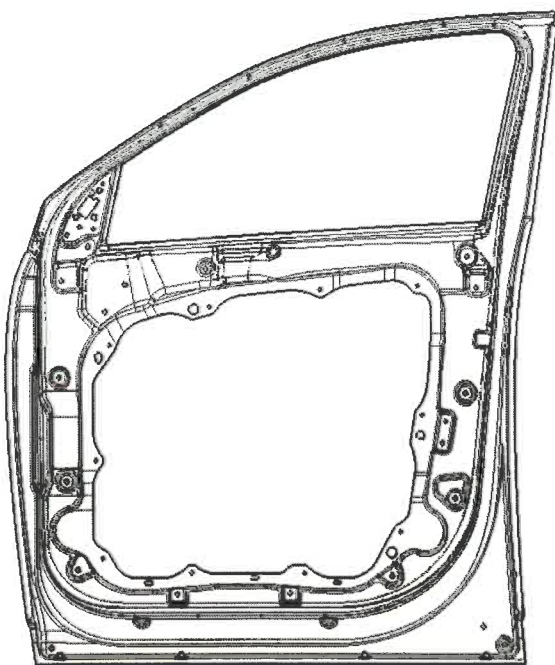
TARGET AREA FOR
ORIGINALLY EQUIPPED PART



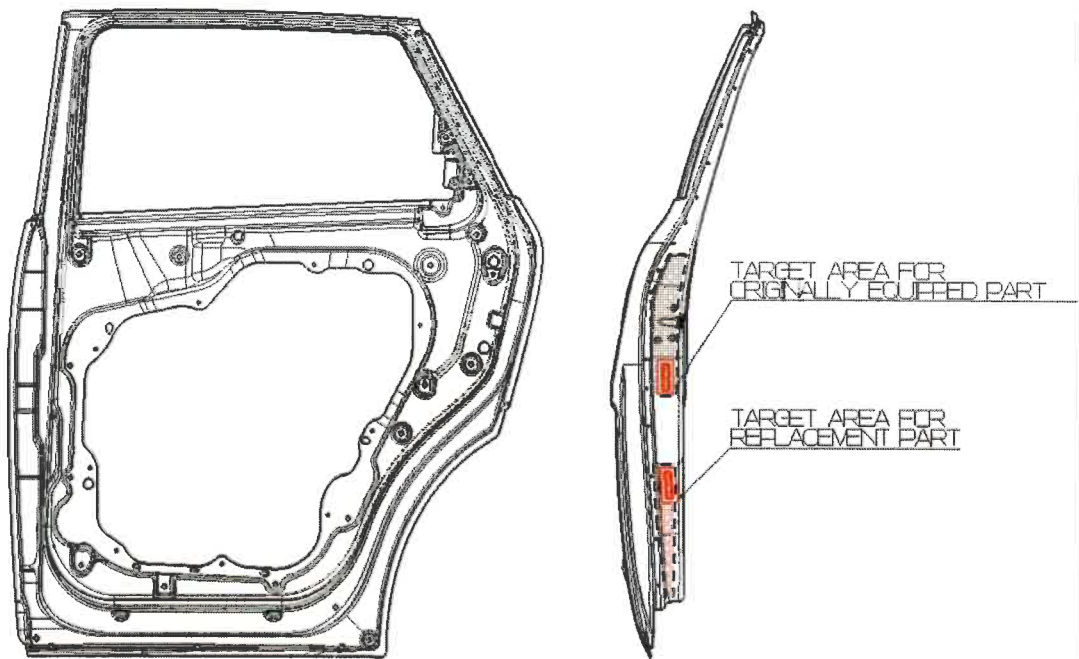
TARGET AREA FOR
REPLACEMENT PART



Front Door LH / RH

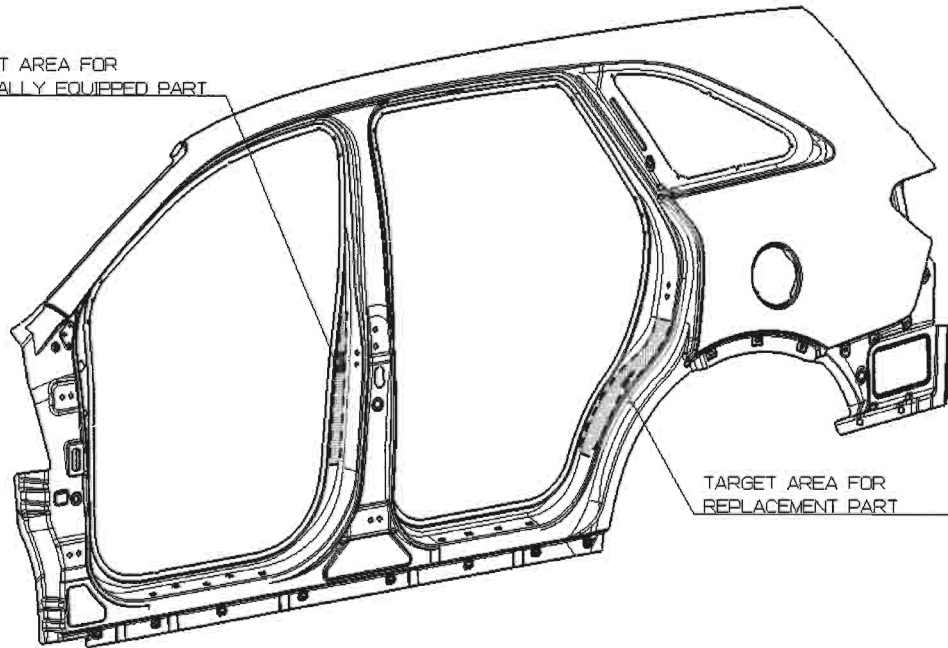


Rear Door LH / RH



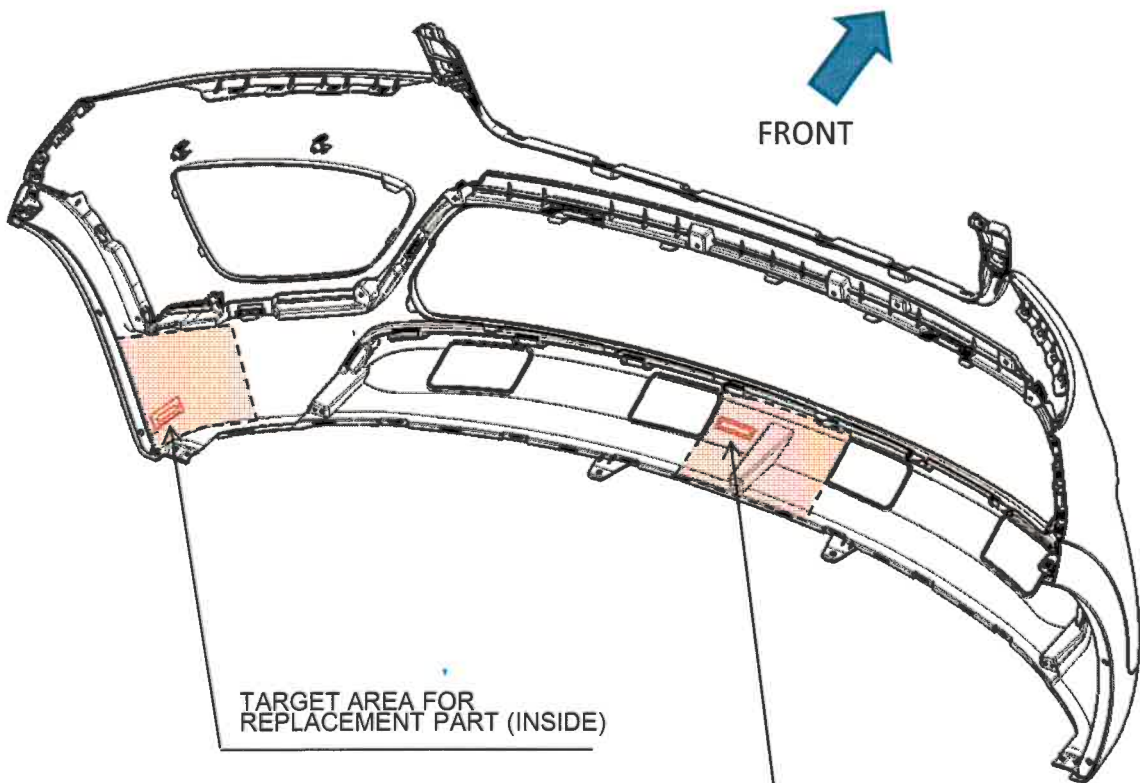
Side Outer Panel LH / RH

TARGET AREA FOR
ORIGINALLY EQUIPPED PART



TARGET AREA FOR
REPLACEMENT PART

Front Bumper

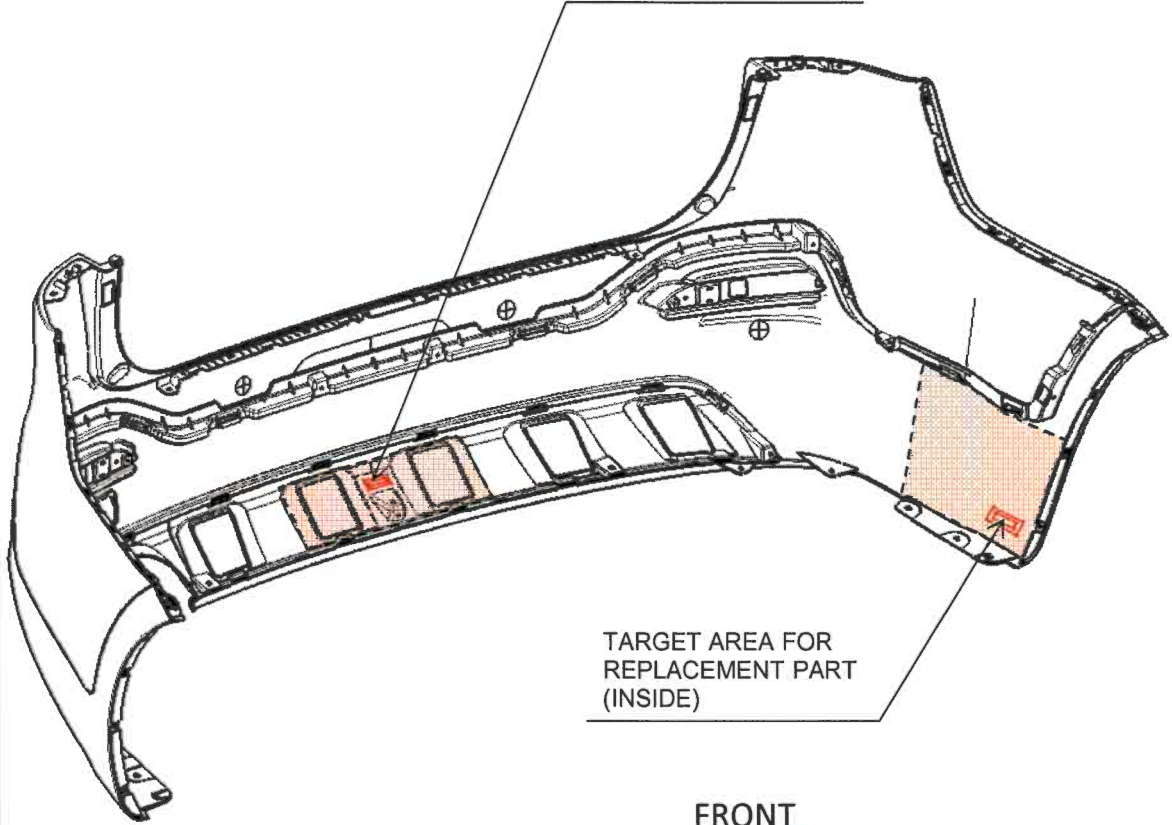


TARGET AREA FOR
REPLACEMENT PART (INSIDE)

TARGET AREA FOR
ORIGINALLY EQUIPPED
PART (INSIDE)

Rear Bumper

TARGET AREA FOR
ORIGINALLY EQUIPPED
PART (INSIDE)

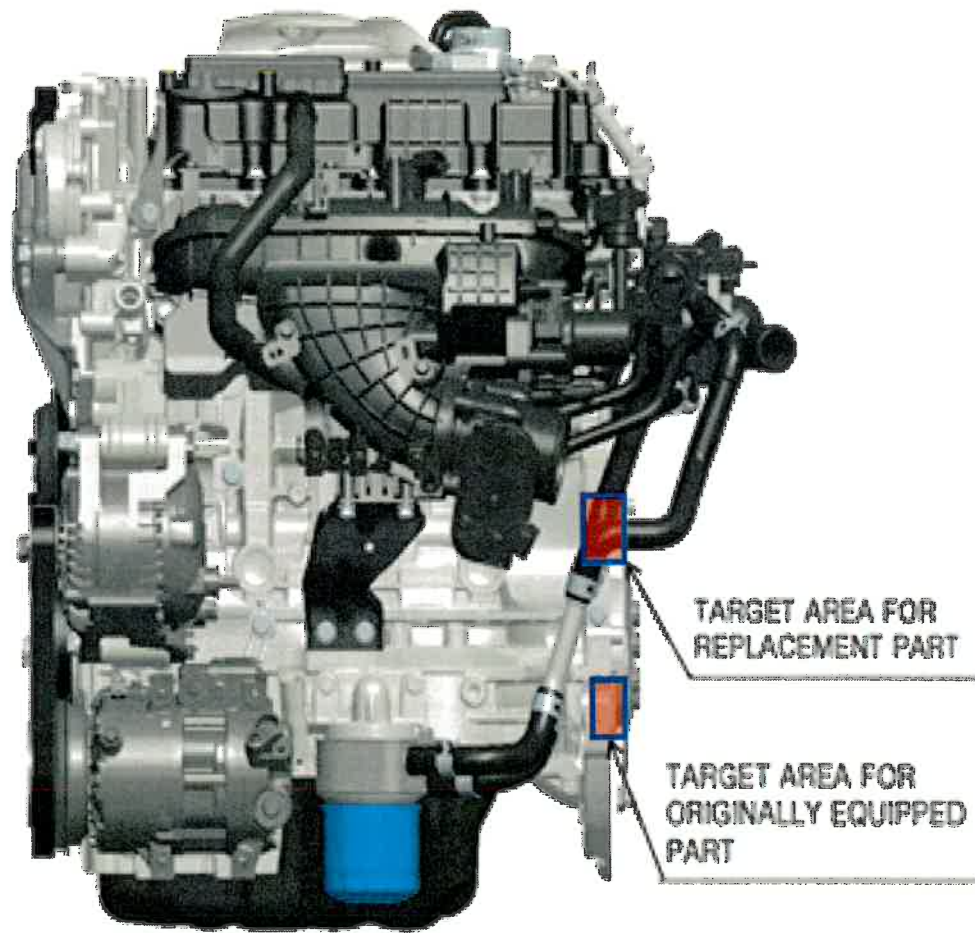


TARGET AREA FOR
REPLACEMENT PART
(INSIDE)

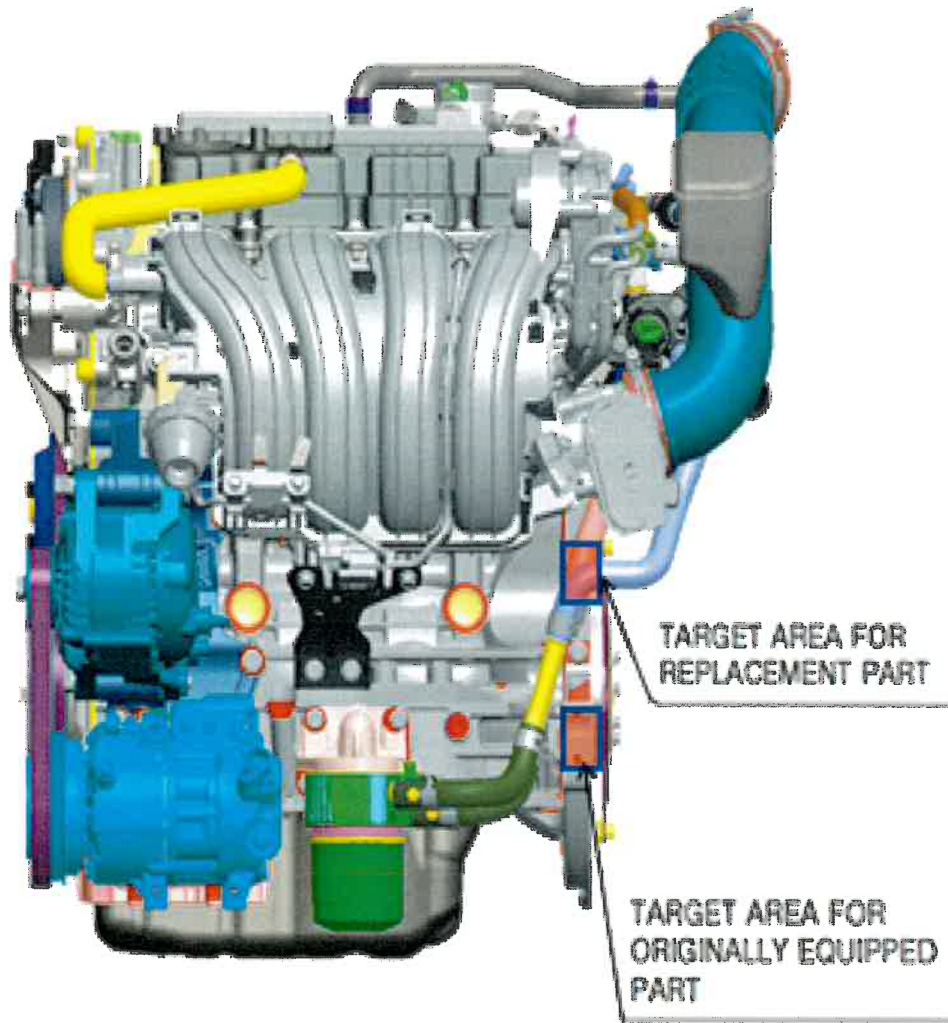
FRONT



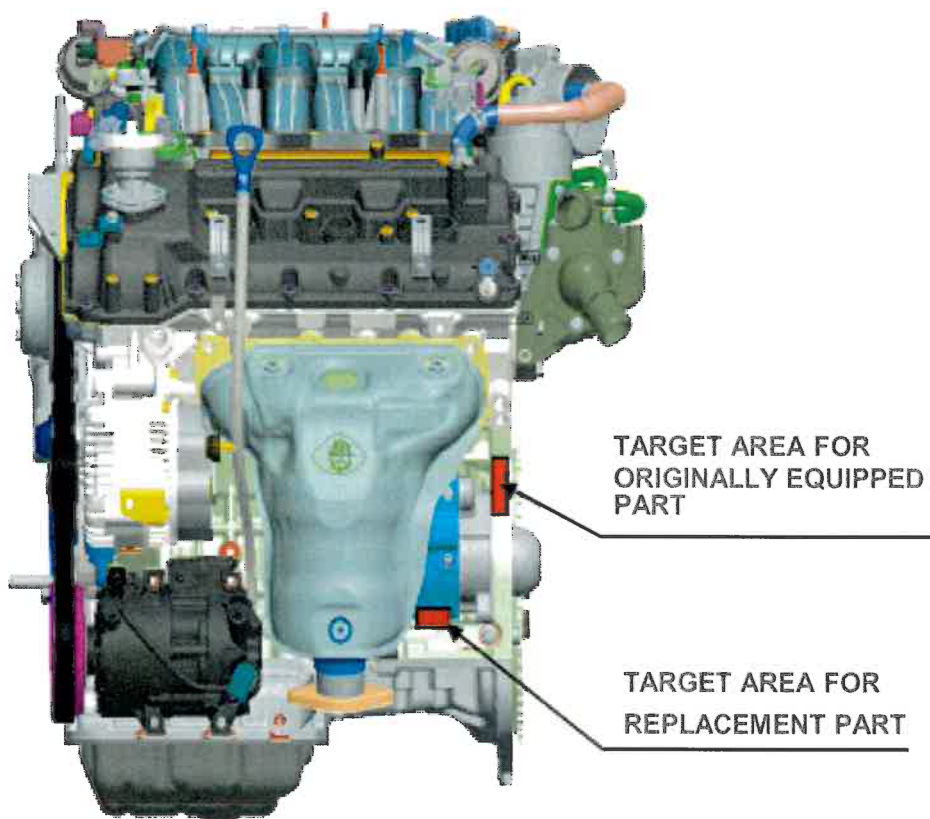
Engine - 2.0L



Engine - 2.4L



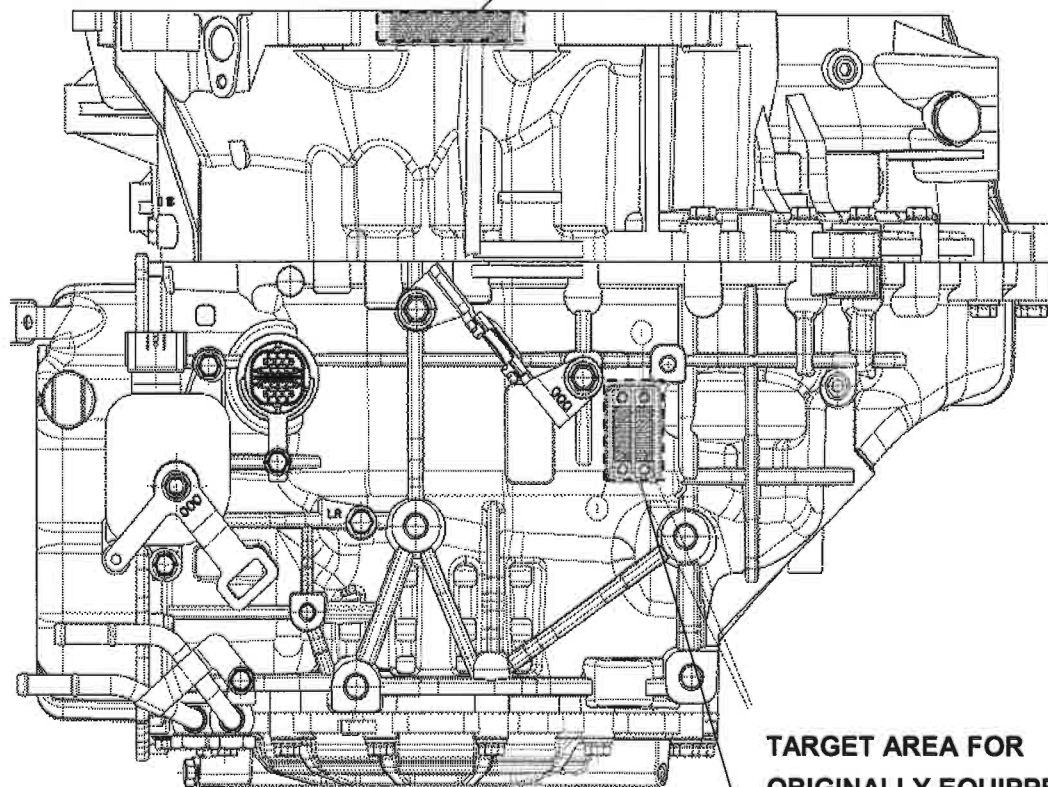
Engine - 3.3L



Transmission

(Auto for 2.0L & 3.3L Engines)

TARGET AREA FOR
REPLACEMENT PART

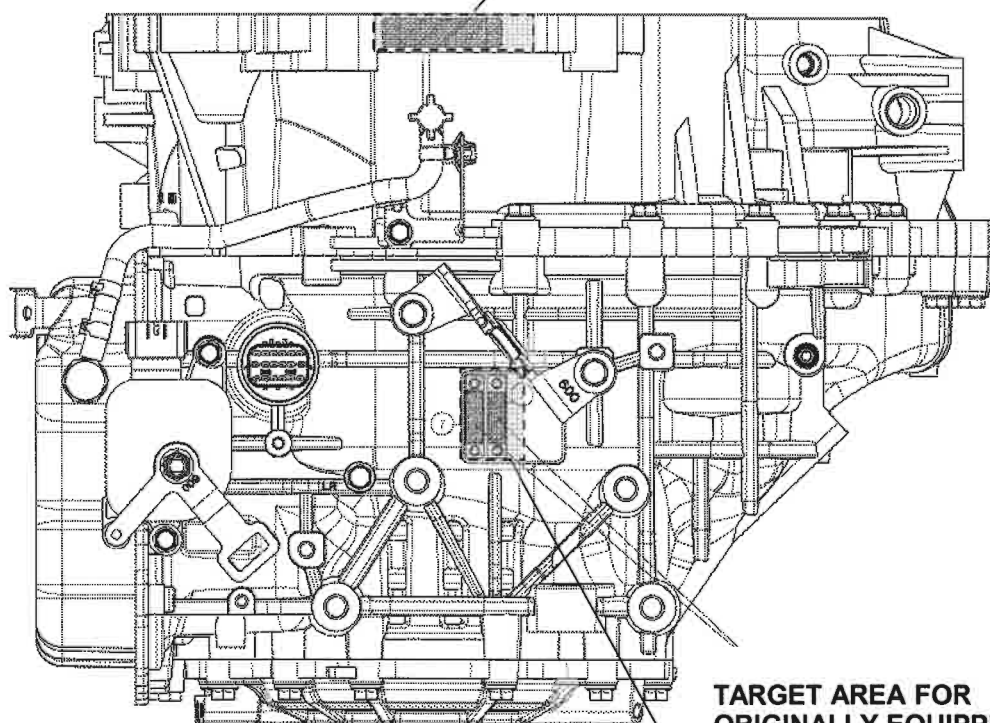


TARGET AREA FOR
ORIGINALLY EQUIPPED
PART

Transmission

(Auto for 2.4L Engine)

TARGET AREA FOR
REPLACEMENT PART



TARGET AREA FOR
ORIGINALLY EQUIPPED
PART