

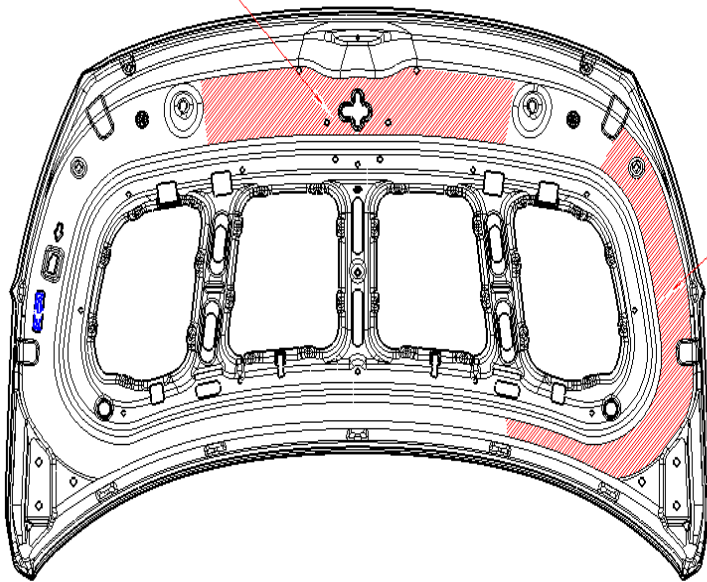
VIN marking area for Rio model

1. Hood
2. Tail gate / Trunk Lid
3. Front Fender (LH/RH)
4. Front Door (LH/RH)
5. Rear Door (LH/RH)
6. Side Outer Panel (LH/RH)
7. Front Bumper
8. Rear Bumper
9. Engine
10. Transmission (AT/MT)

Hood

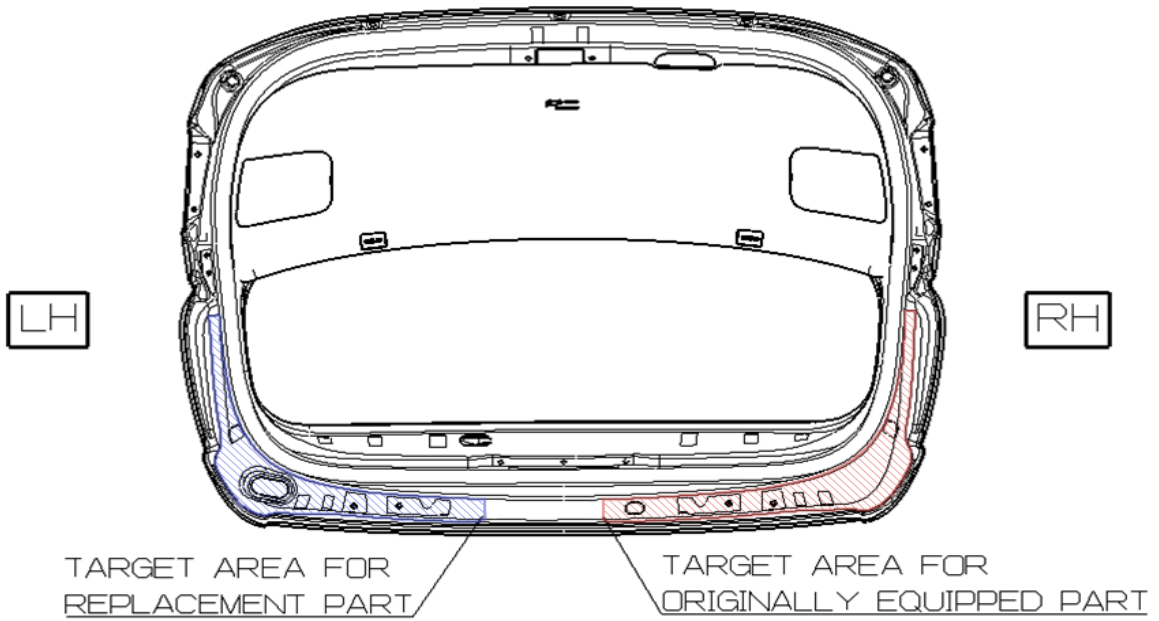
TARGET AREA FOR
REPLACEMENT PART

TARGET AREA FOR
ORIGINALLY EQUIPPED PART



LH

Tail gate (5Dr)

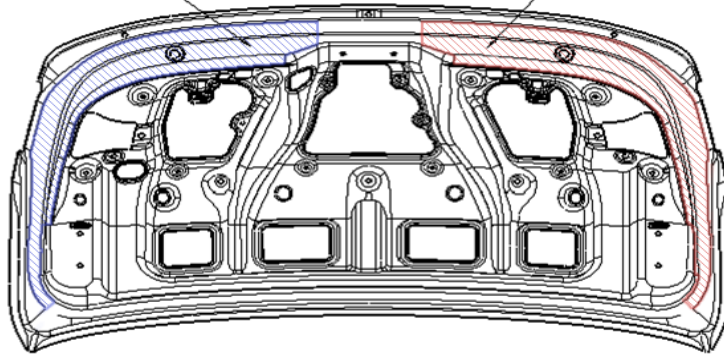


Trunk Lid (4Dr)

TARGET AREA FOR
REPLACEMENT PART

TARGET AREA FOR
ORIGINALLY EQUIPPED PART

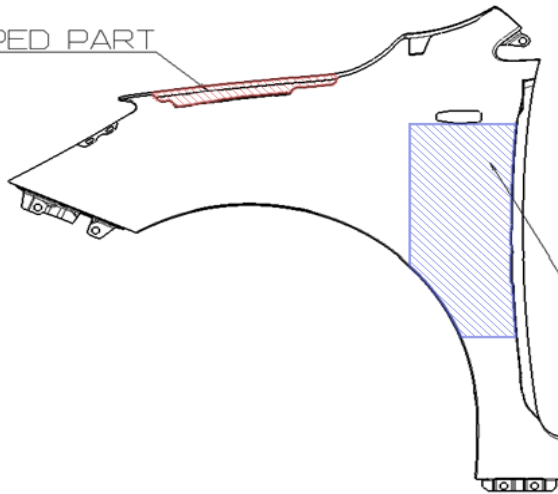
LH



RH

Front Fender (LH/RH)

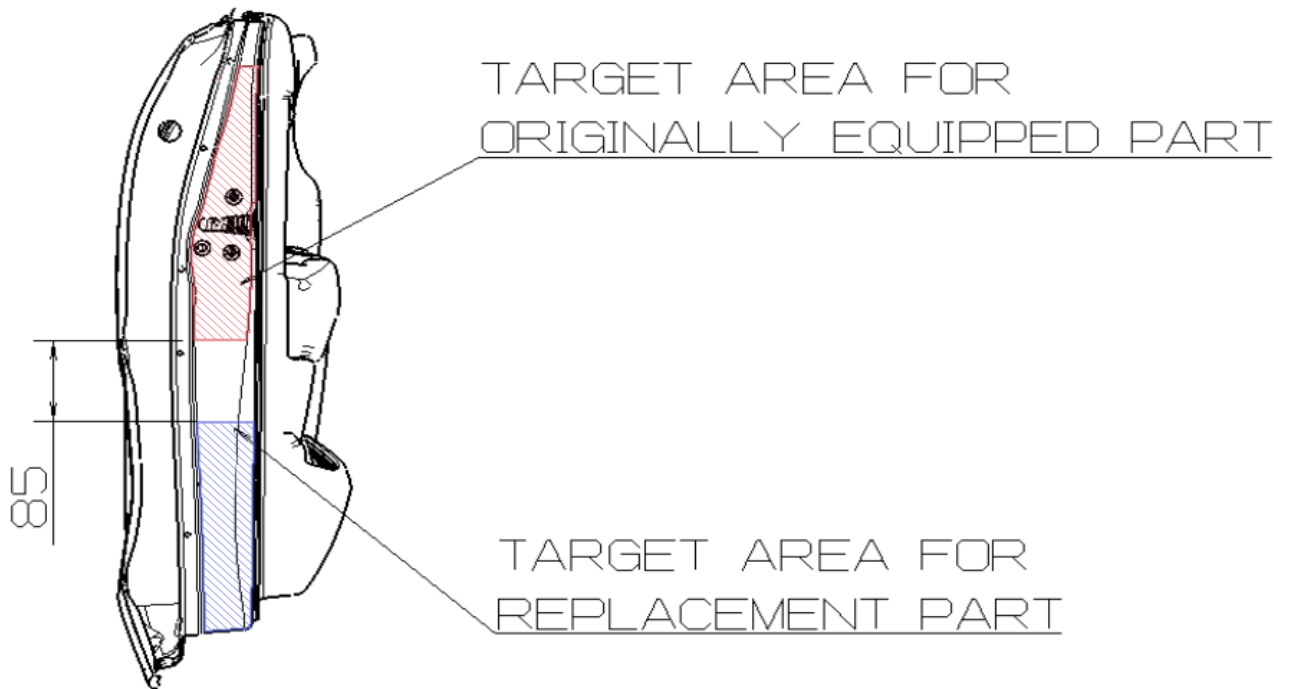
TARGET AREA FOR
ORIGINALLY EQUIPPED PART



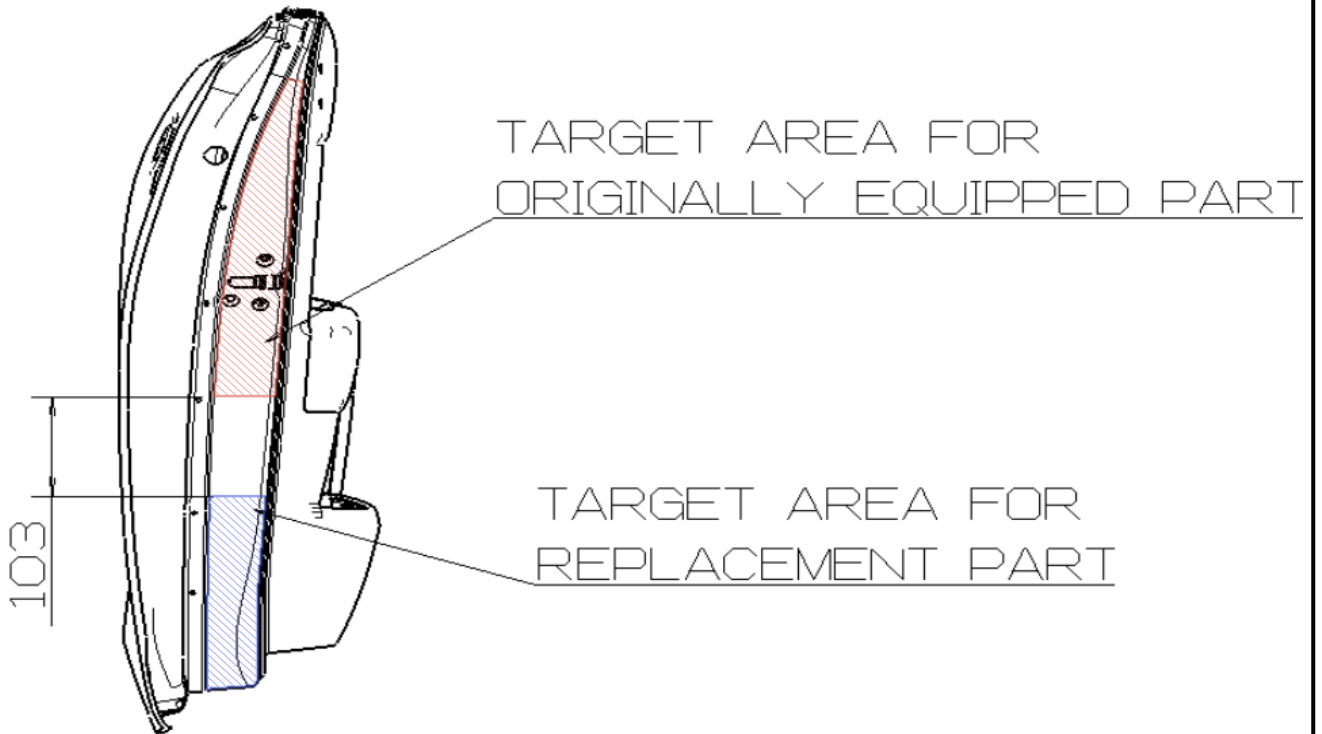
TARGET AREA FOR
REPLACEMENT PART

(FENDER, LH/RH)

Front Door (LH/RH)

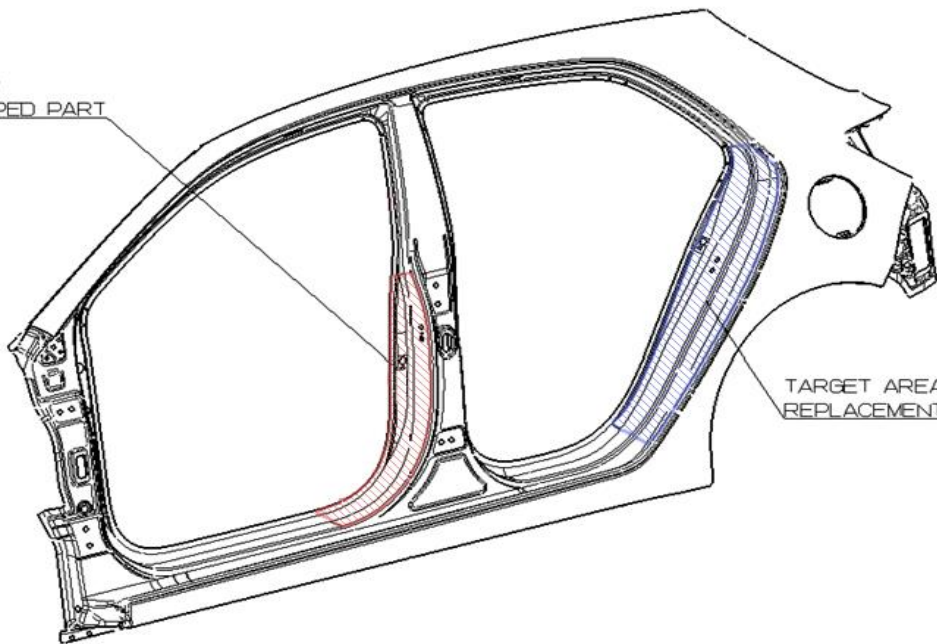


Rear Door (LH/RH)



Side Outer Panel (LH/RH)

TARGET AREA FOR
ORIGINALLY EQUIPPED PART

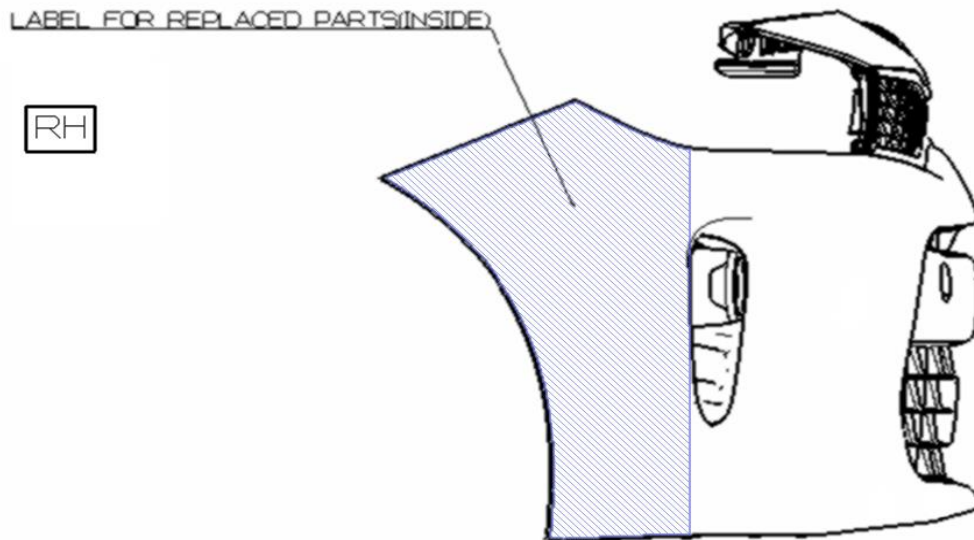
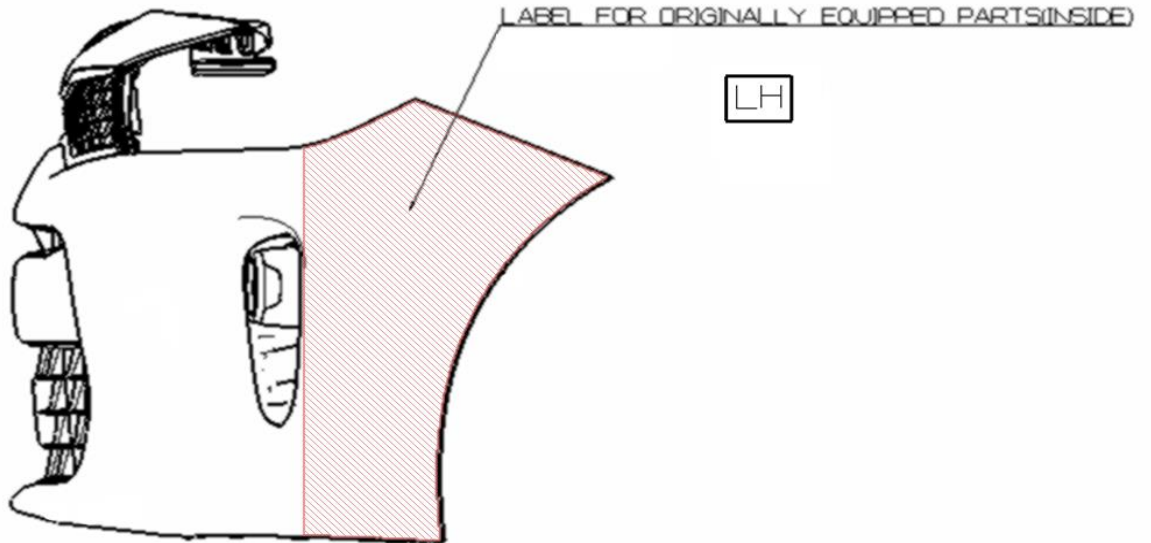


TARGET AREA FOR
REPLACEMENT PART

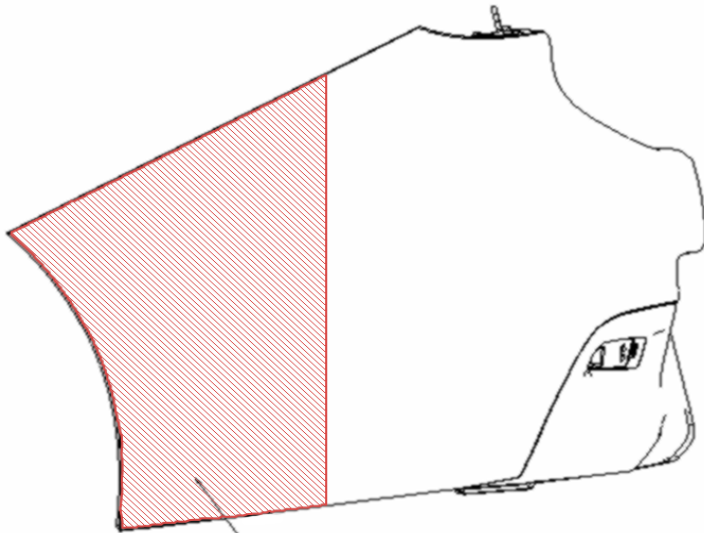
(SIDE OTR PNL, LH/RH)

<4/5Dr>

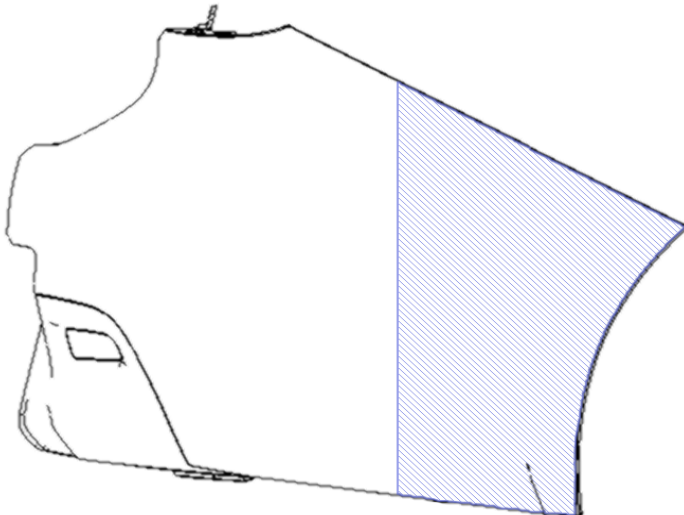
Front Bumper (4/5Dr)



Rear Bumper (4Dr)

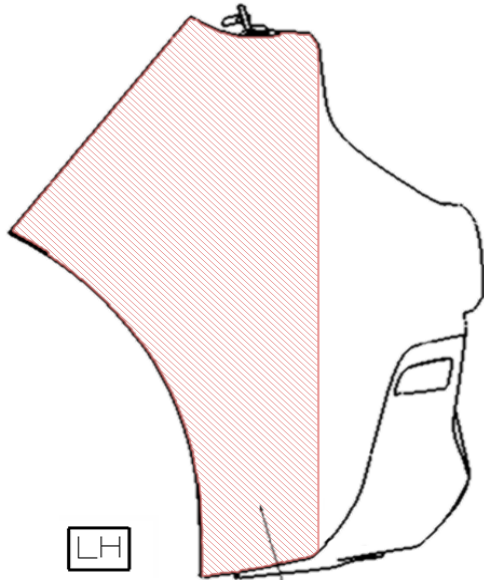


LABEL FOR ORIGINALLY EQUIPPED PARTS (INSIDE)



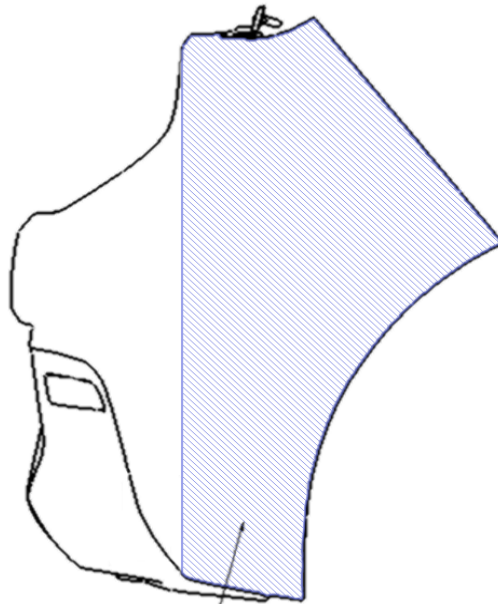
LABEL FOR REPLACED PARTS (INSIDE)

Rear Bumper (5Dr)



LH

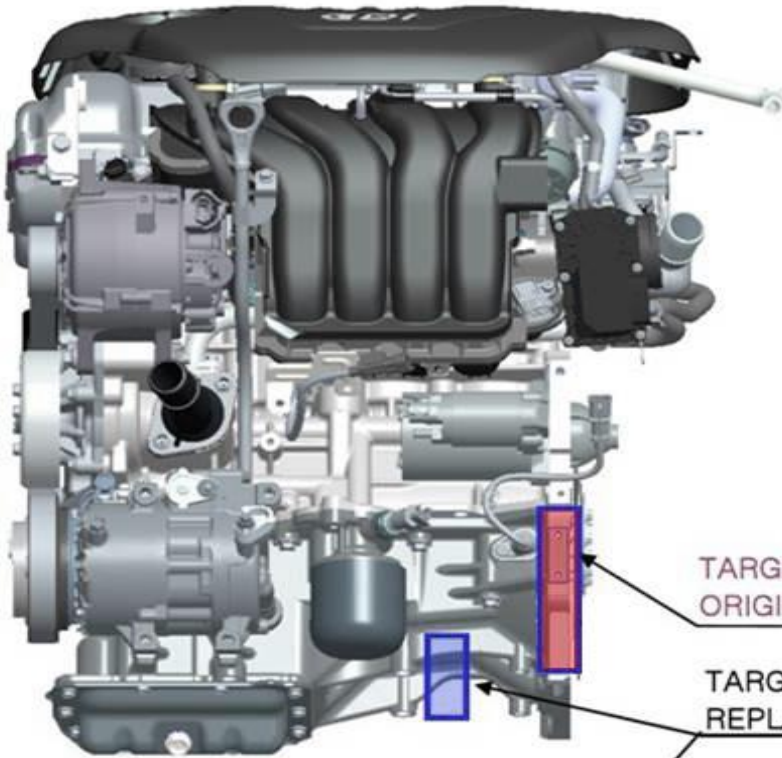
LABEL FOR ORIGINALLY EQUIPPED PARTS (INSIDE)



RH

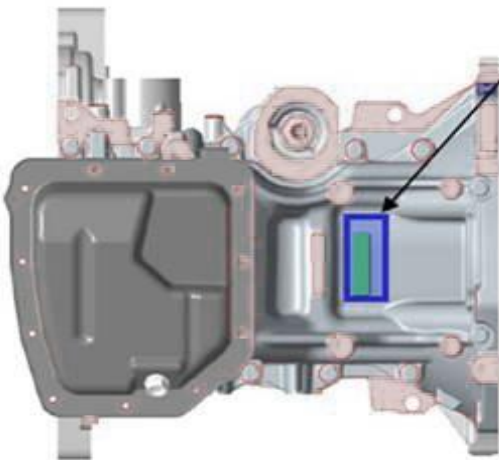
LABEL FOR REPLACED PARTS (INSIDE)

Engine (1.6 GDI)



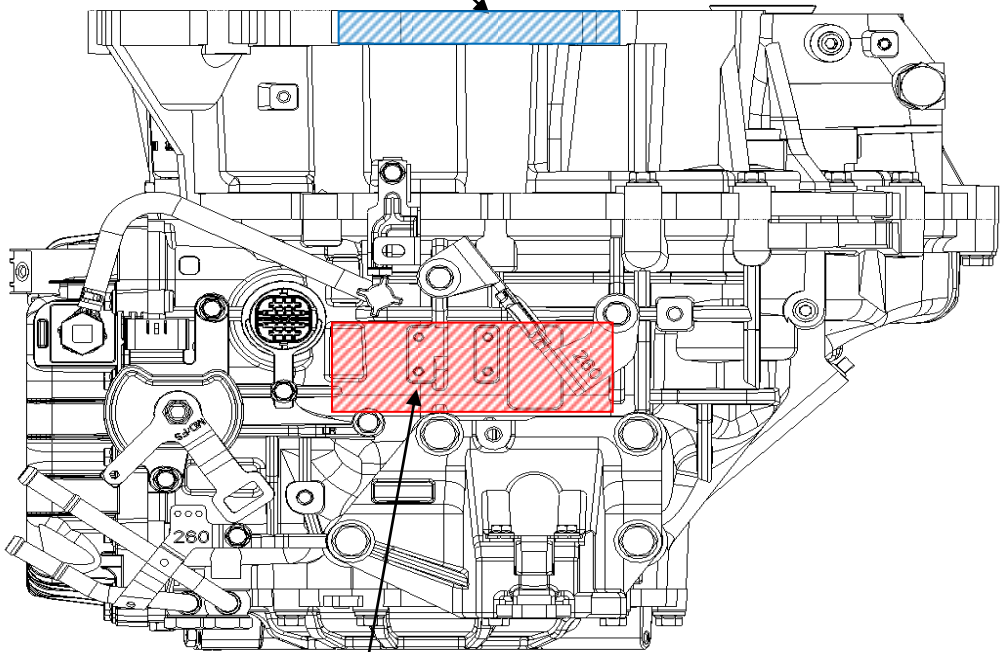
TARGET AREA FOR
ORIGINALLY EQUIPPED PART

TARGET AREA FOR
REPLACEMENT PART



Transmission (Auto for 1.6 Engine)

TARGET AREA FOR
REPLACEMENT PART



TARGET AREA FOR
ORIGINALLY EQUIPPED PART

Transmission (Manual for 1.6 Engine)

