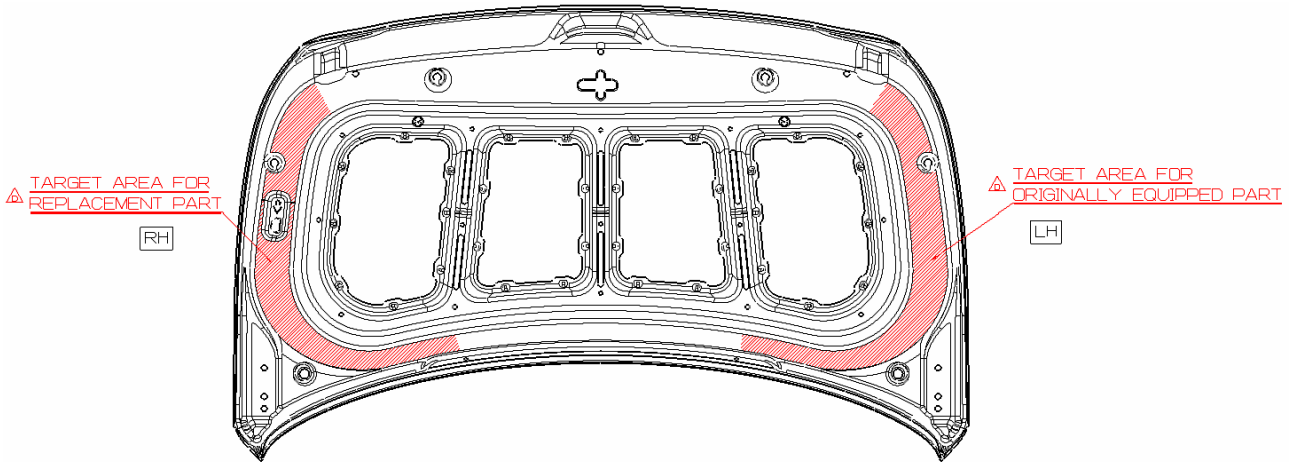


VIN marking area for ACCENT 4DR

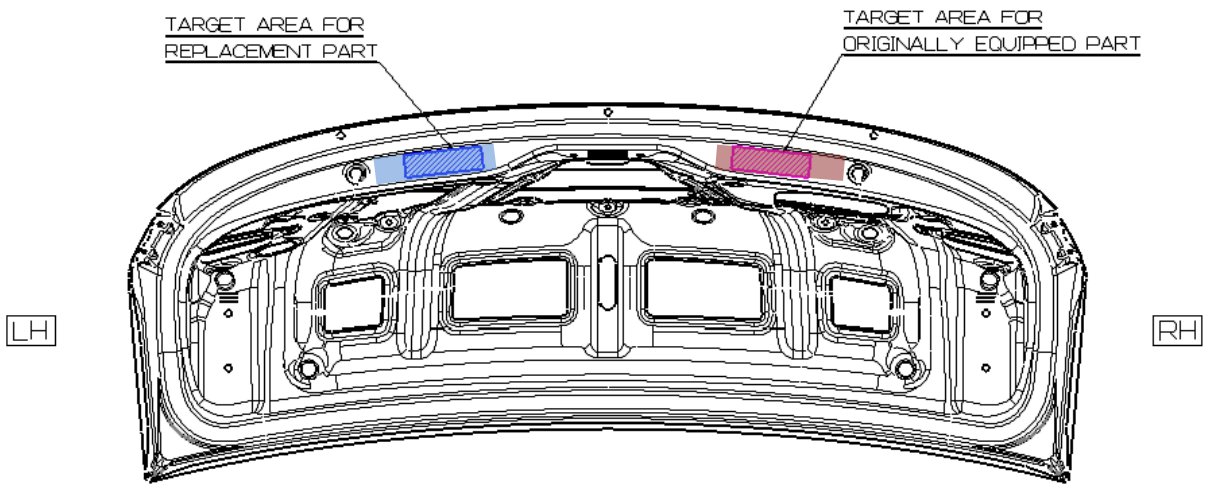
1. Hood
2. Trunk Lid
3. Front Fender (LH/RH)
4. Front Door (LH/RH)
5. Rear Door (LH/RH)
6. Side Outer Panel (LH/RH)
7. Front Bumper
8. Rear Bumper
9. Engine
10. Transmission (AT/MT)



Hood

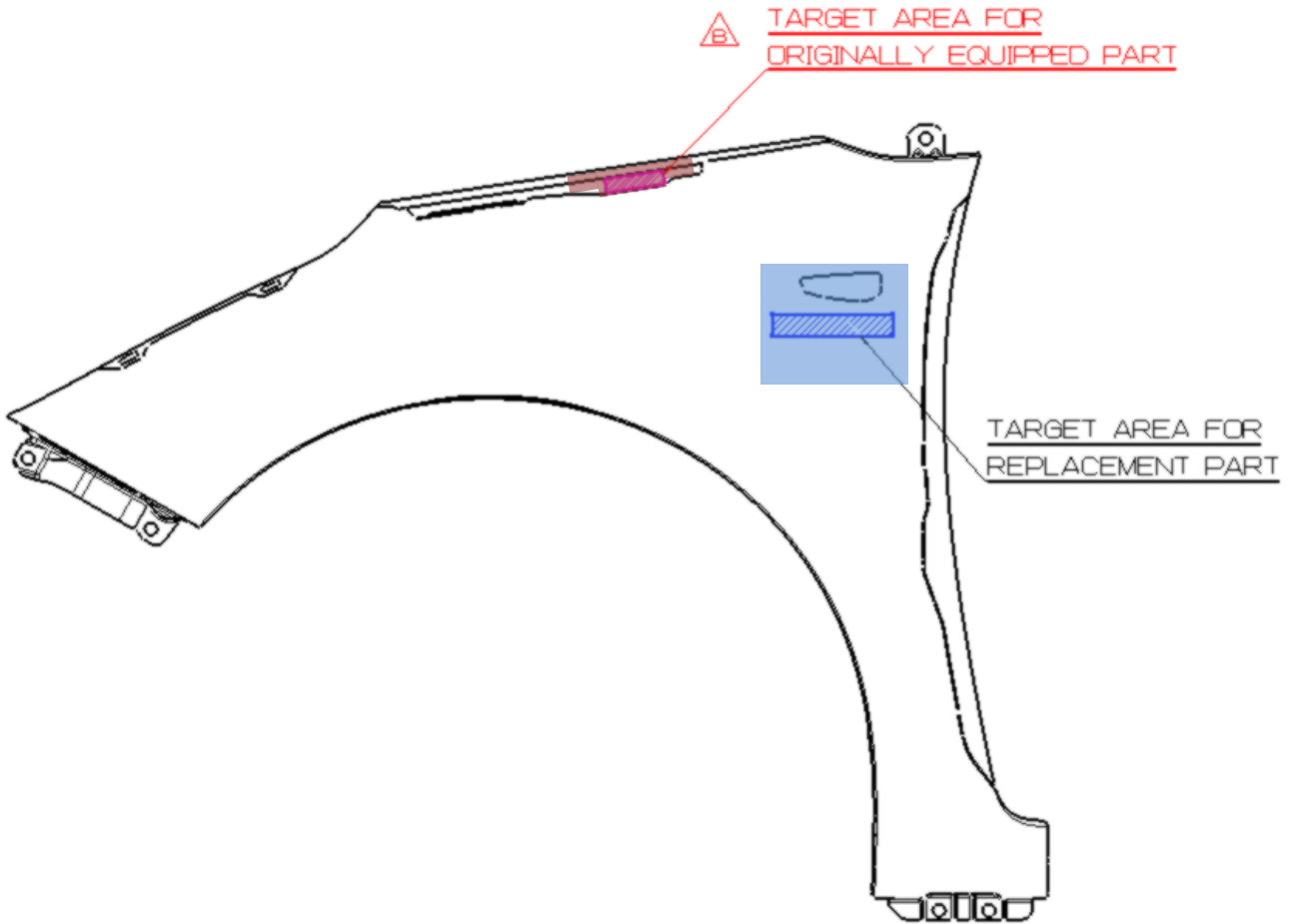


Trunk Lid



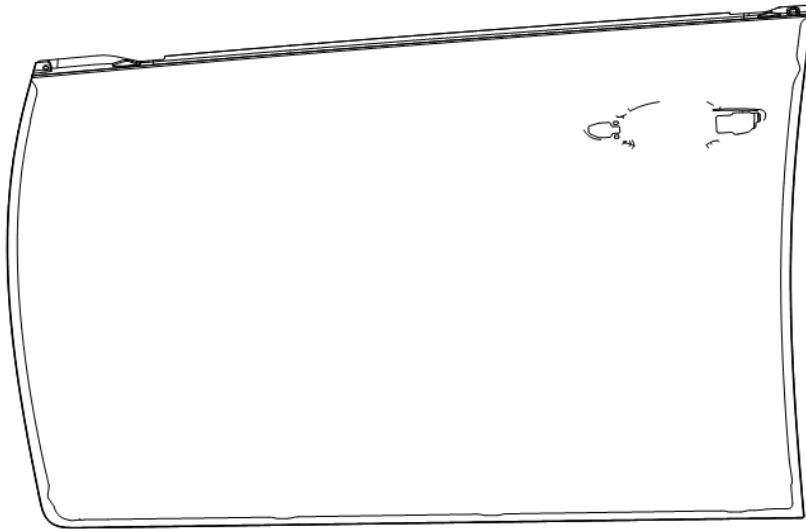
T/LID PNL, VIEW "X"

Front Fender (LH/RH)



FENDER PNL, LH/RH

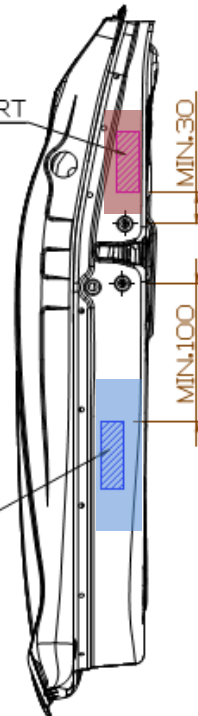
Front Door (LH/RH)



↖ "Y"

FR DR PNL, LH/RH

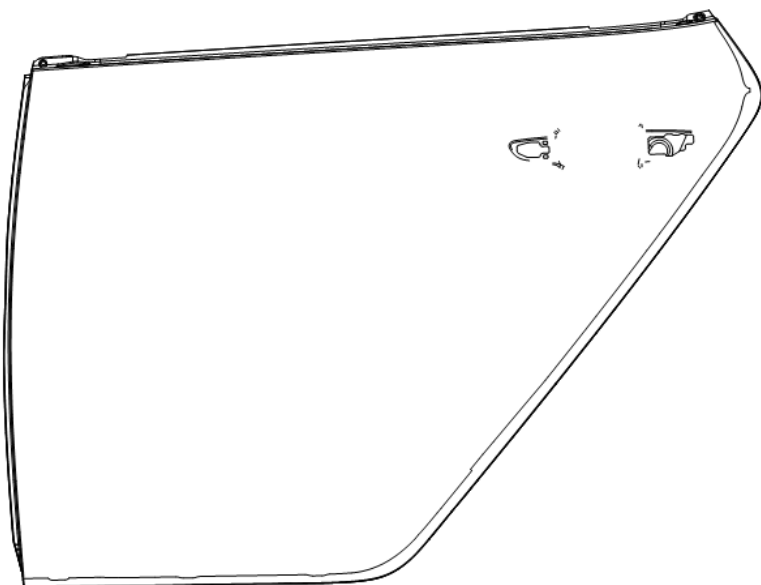
TARGET AREA FOR
ORIGINALLY EQUIPPED PART



TARGET AREA FOR
REPLACEMENT PART

VIEW "Y"

Rear Door (LH/RH)

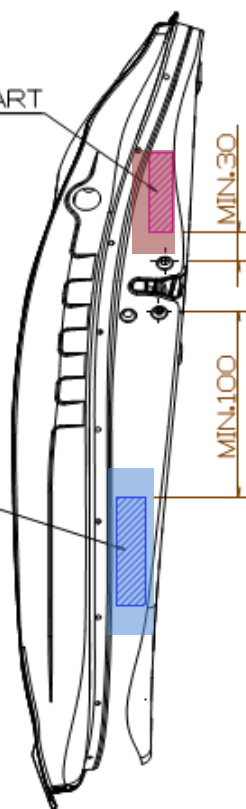


← "Z"

RR DR PNL, LH/RH

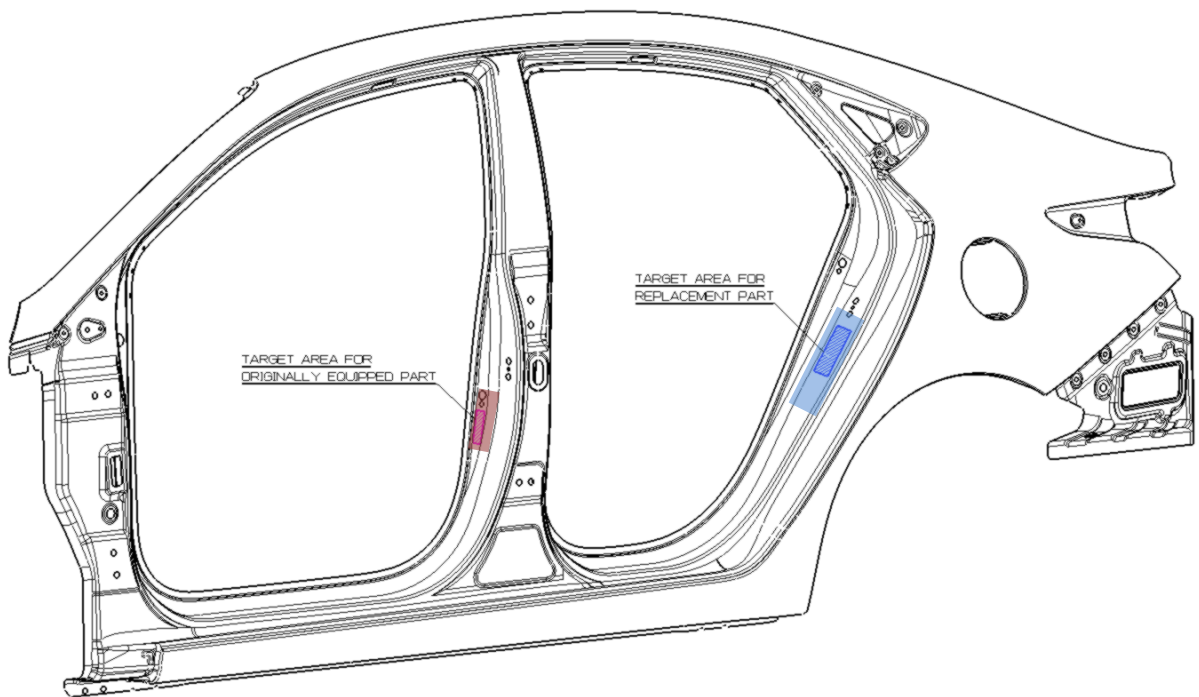
TARGET AREA FOR
ORIGINALLY EQUIPPED PART

TARGET AREA FOR
REPLACEMENT PART



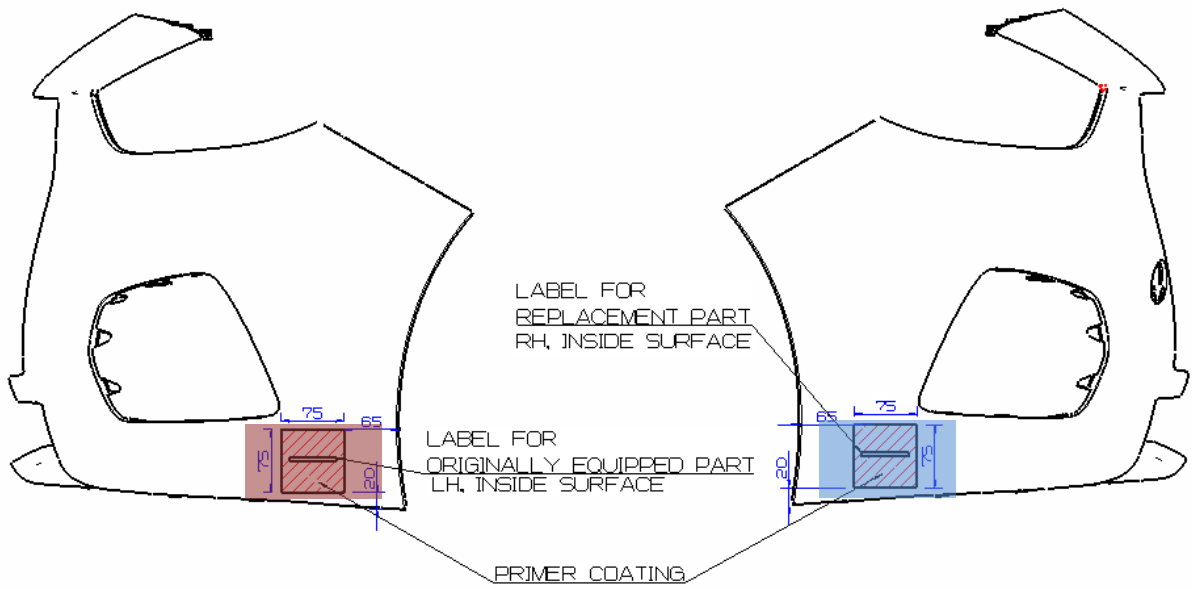
VIEW "Z"

Side Outer Panel (LH/RH)

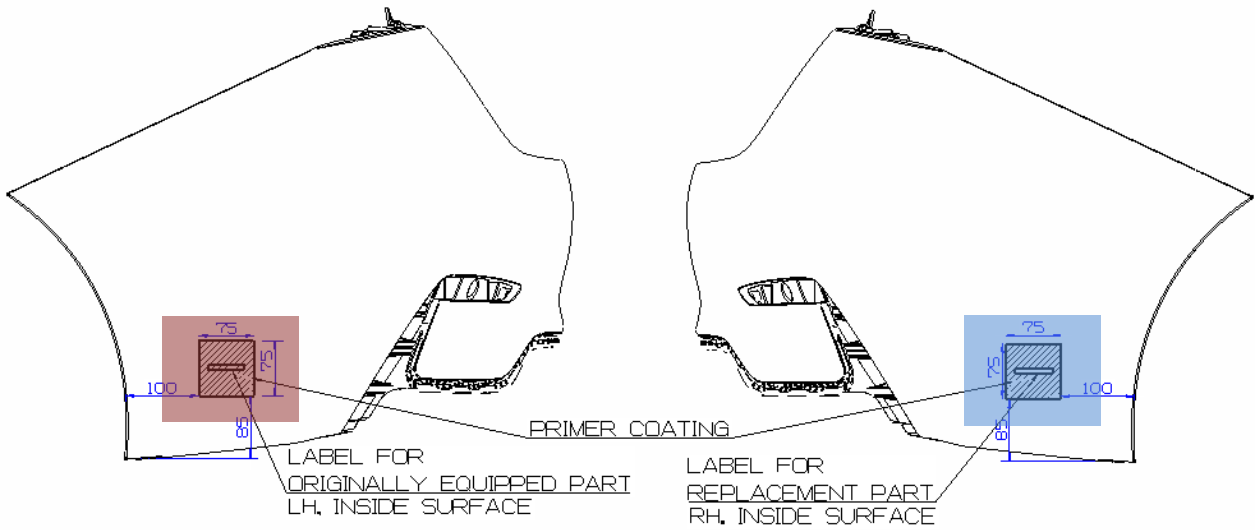


SIDE OTR PNL, LH/RH

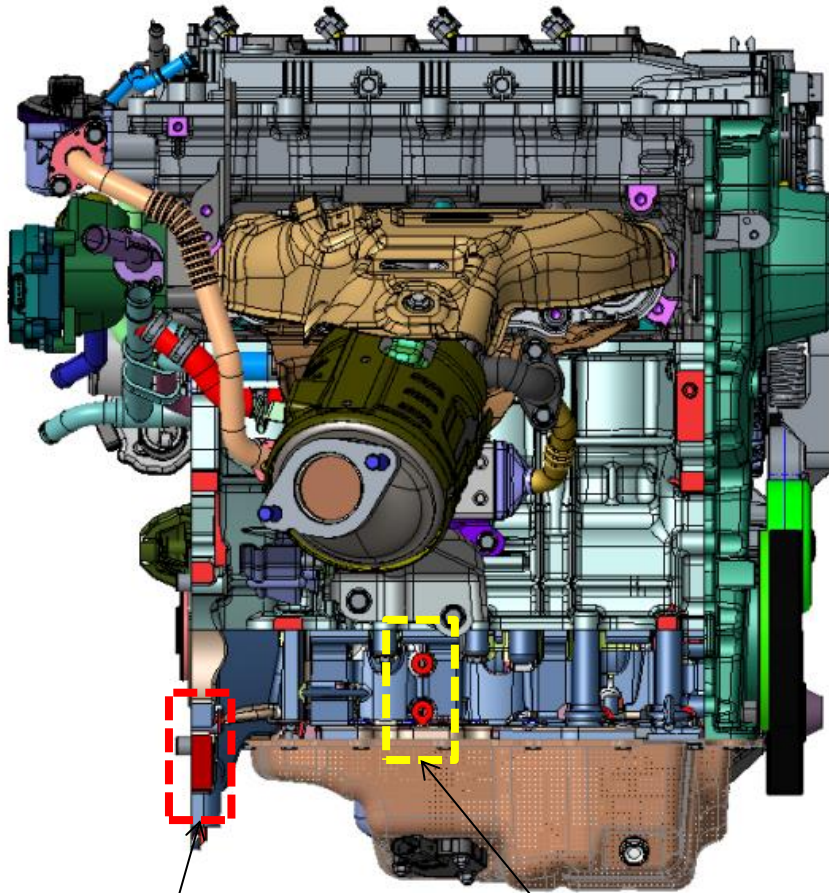
Front Bumper



Rear Bumper



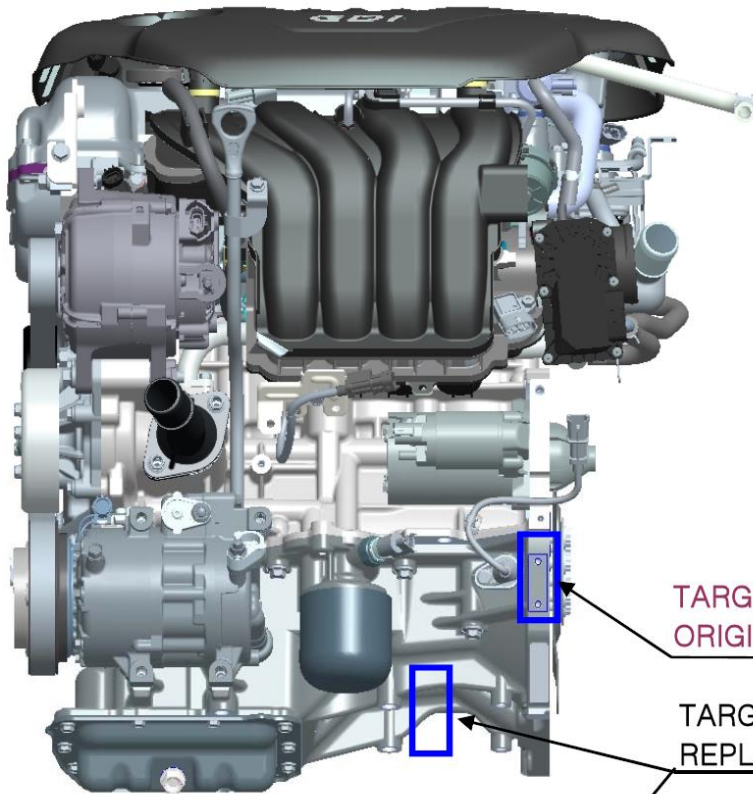
Engine (G II 1.6 MPI)



Target area for
replacement part

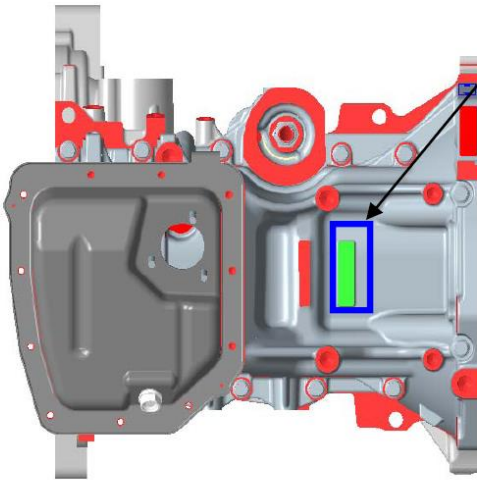
Target area (V.I.N)
for original equipment part

Engine (1.6L GDI)

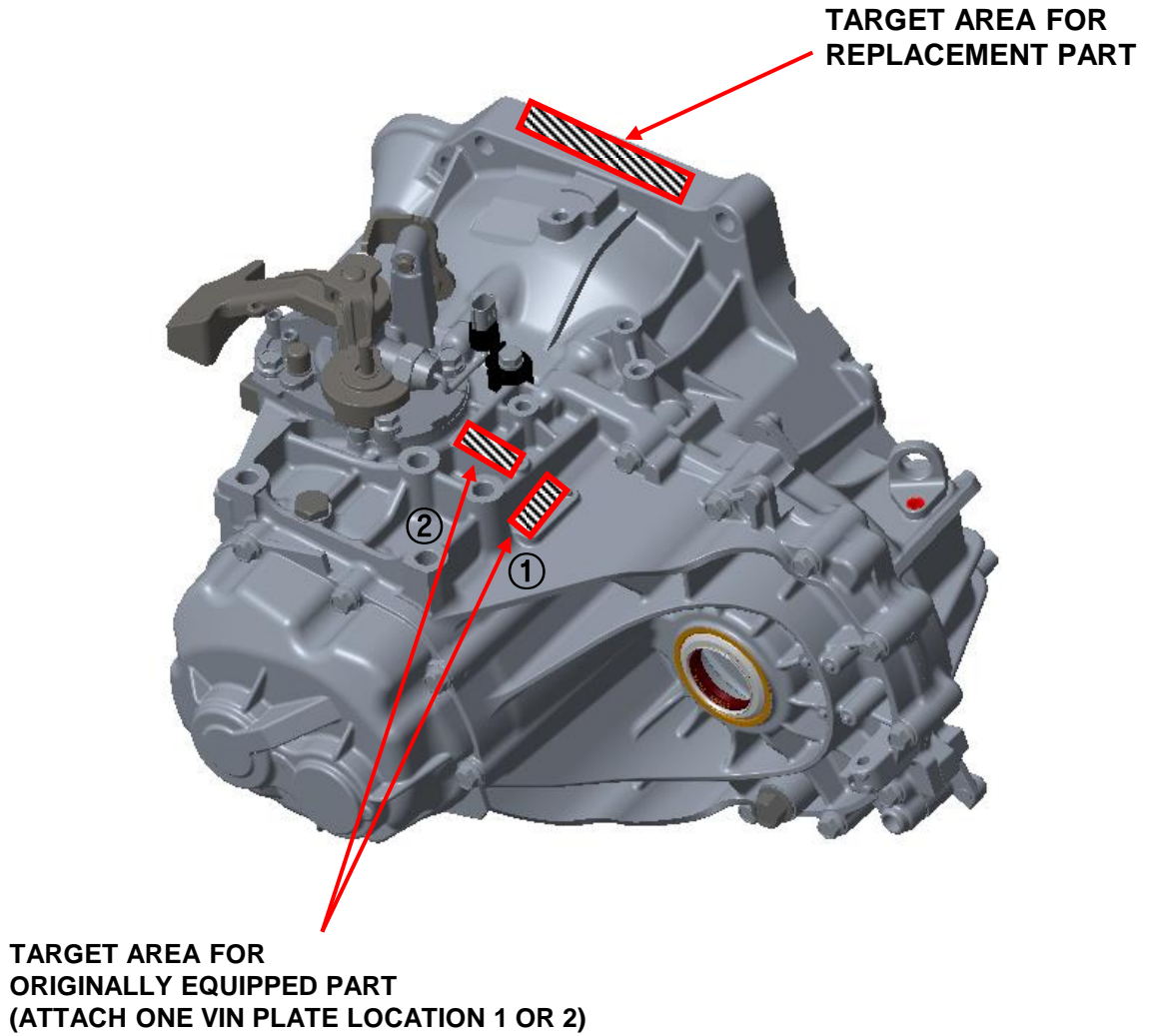


TARGET AREA FOR
ORIGINALLY EQUIPPED PART

TARGET AREA FOR
REPLACEMENT PART

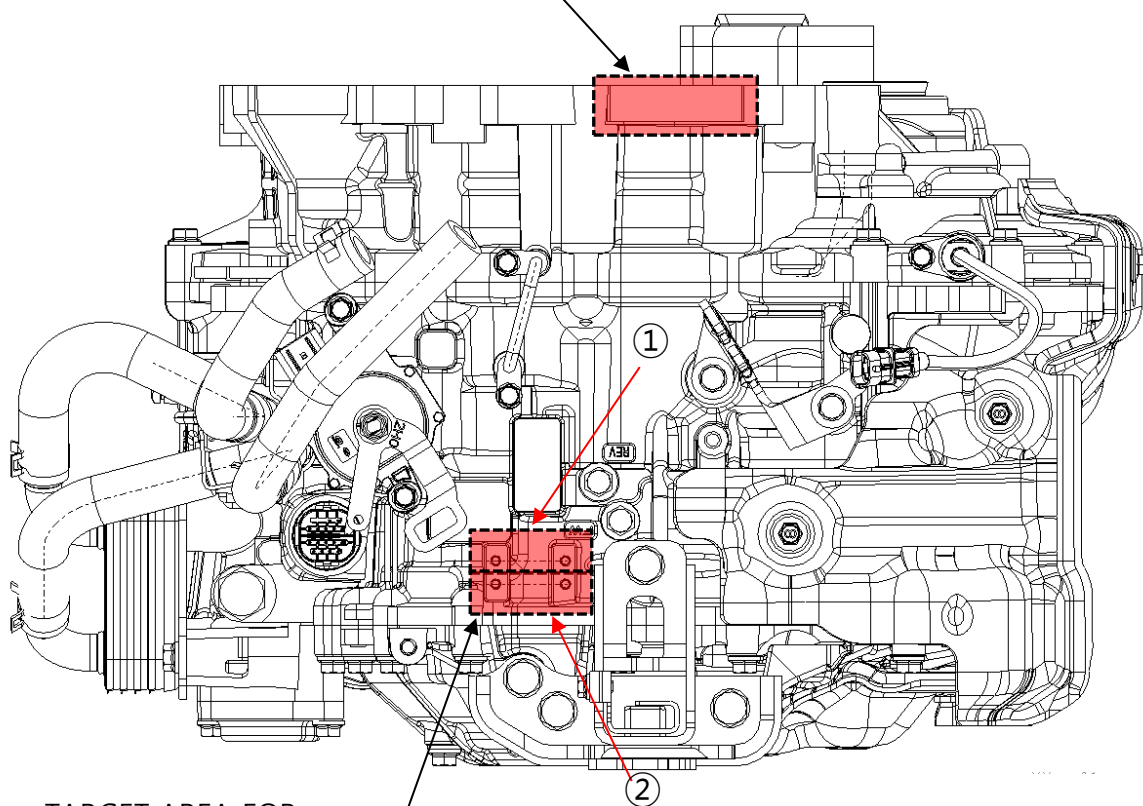


Transmission (Manual for G II 1.6 MPI Engine)



Transmission (CVT for G II 1.6 MPI Engine)

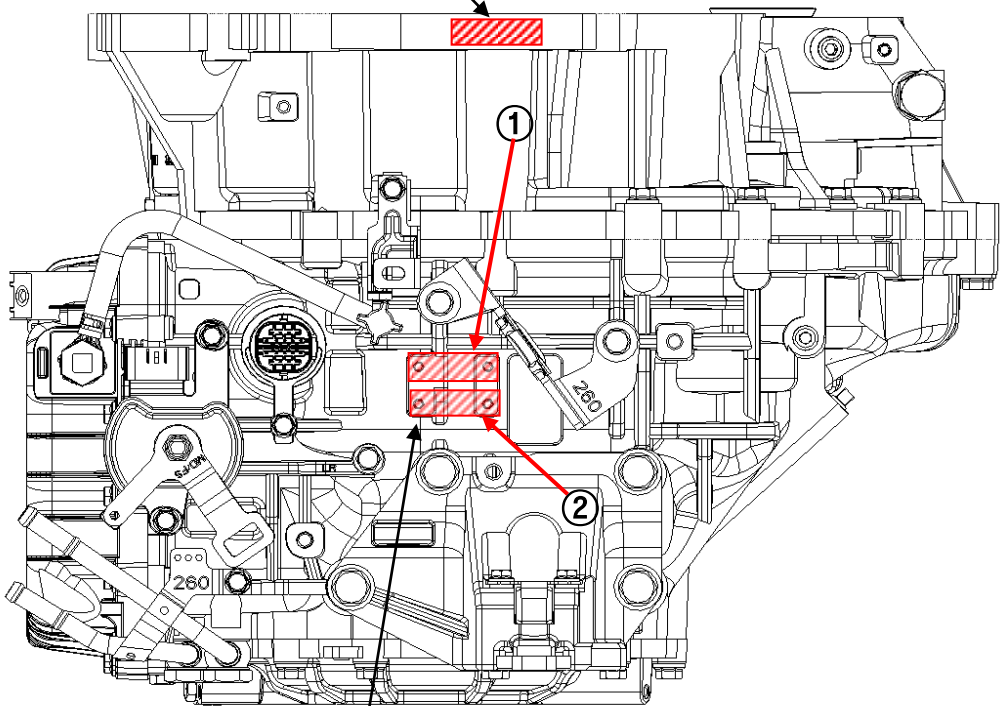
TARGET AREA FOR
REPLACEMENT PART



TARGET AREA FOR
ORIGINALLY EQUIPPED PART
(ATTACH ONE VIN PLATE LOCATION 1 OR 2.)

Transmission (Auto for 1.6L GDI Engine)

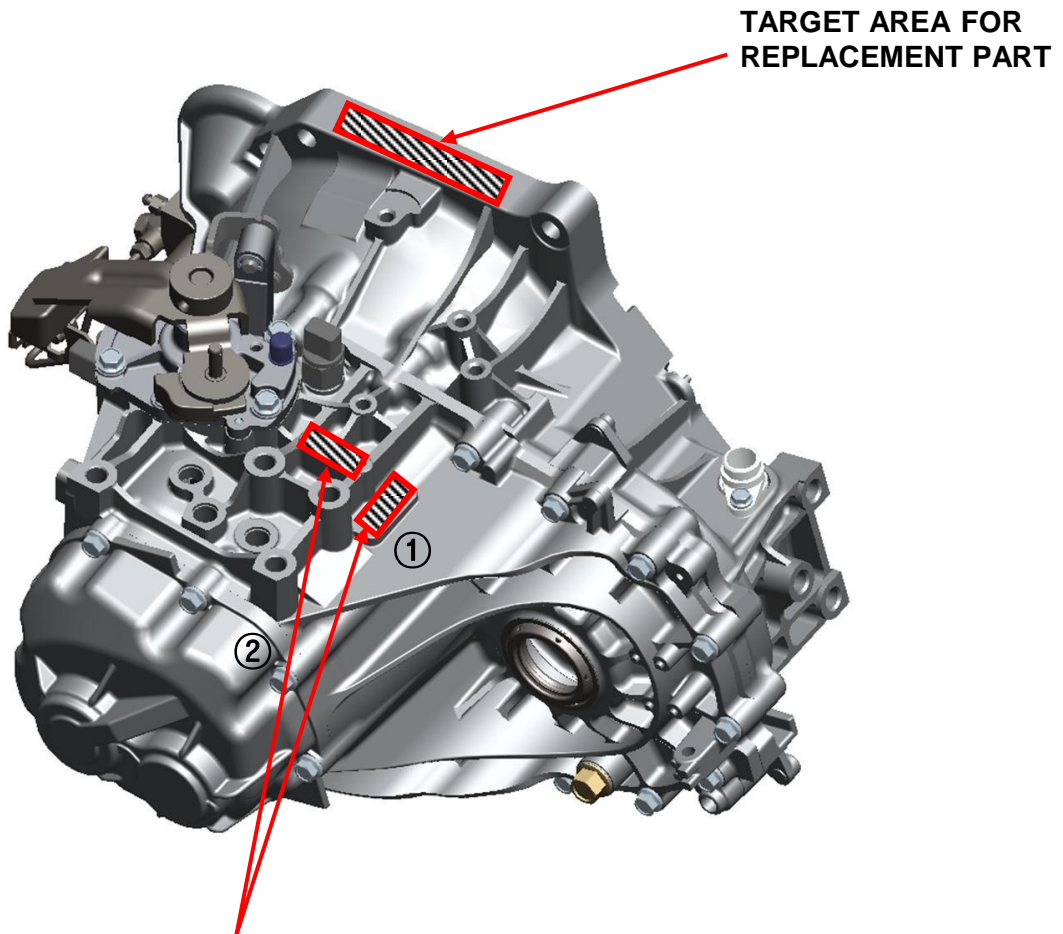
TARGET AREA FOR
REPLACEMENT PART



TARGET AREA FOR
ORIGINALLY EQUIPPED PART

(ATTACH ONE VIN PLATE LOCATION 1 OR 2)

Transmission (Manual for 1.6L GDI Engine)



TARGET AREA FOR
ORIGINALLY EQUIPPED PART
(ATTACH ONE VIN PLATE LOCATION 1 OR 2)